



US00D415896S

**United States Patent** [19]  
**Hwang**

[11] **Patent Number: Des. 415,896**

[45] **Date of Patent: \*\* Nov. 2, 1999**

[54] **TOOL BOX**

[76] **Inventor: Angus Hwang**, No. 1-5, Kuang Fu Road, Bih Tou Hsiang, Chang Hua Hsien, Taiwan

[\*\*] **Term: 14 Years**

[21] **Appl. No.: 29/092,313**

[22] **Filed: Aug. 17, 1998**

[51] **LOC (6) Cl. .... 03-01**

[52] **U.S. Cl. .... D3/271; D3/270; D3/905; D9/309; D21/538**

[58] **Field of Search .... D3/270, 271, 269, D3/294, 905; D9/309; D21/533, 538; 206/457, 349, 372, 373**

[56] **References Cited**

**U.S. PATENT DOCUMENTS**

- D. 276,059 10/1984 Smollar et al. .... D21/538
- D. 281,796 12/1985 Shimomura .... D21/538
- D. 308,083 5/1990 Freeman .... D21/538

- D. 309,832 8/1990 Hung ..... D3/282
- D. 317,023 5/1991 Tachikawa ..... D21/538
- D. 323,064 1/1992 Tsuji ..... D21/538
- D. 324,306 3/1992 Lin ..... D3/271
- D. 397,868 9/1998 Huang ..... D3/271
- D. 404,569 1/1999 Chen ..... D3/282

*Primary Examiner*—Philip S. Hyder  
*Attorney, Agent, or Firm*—Charles E. Baxley

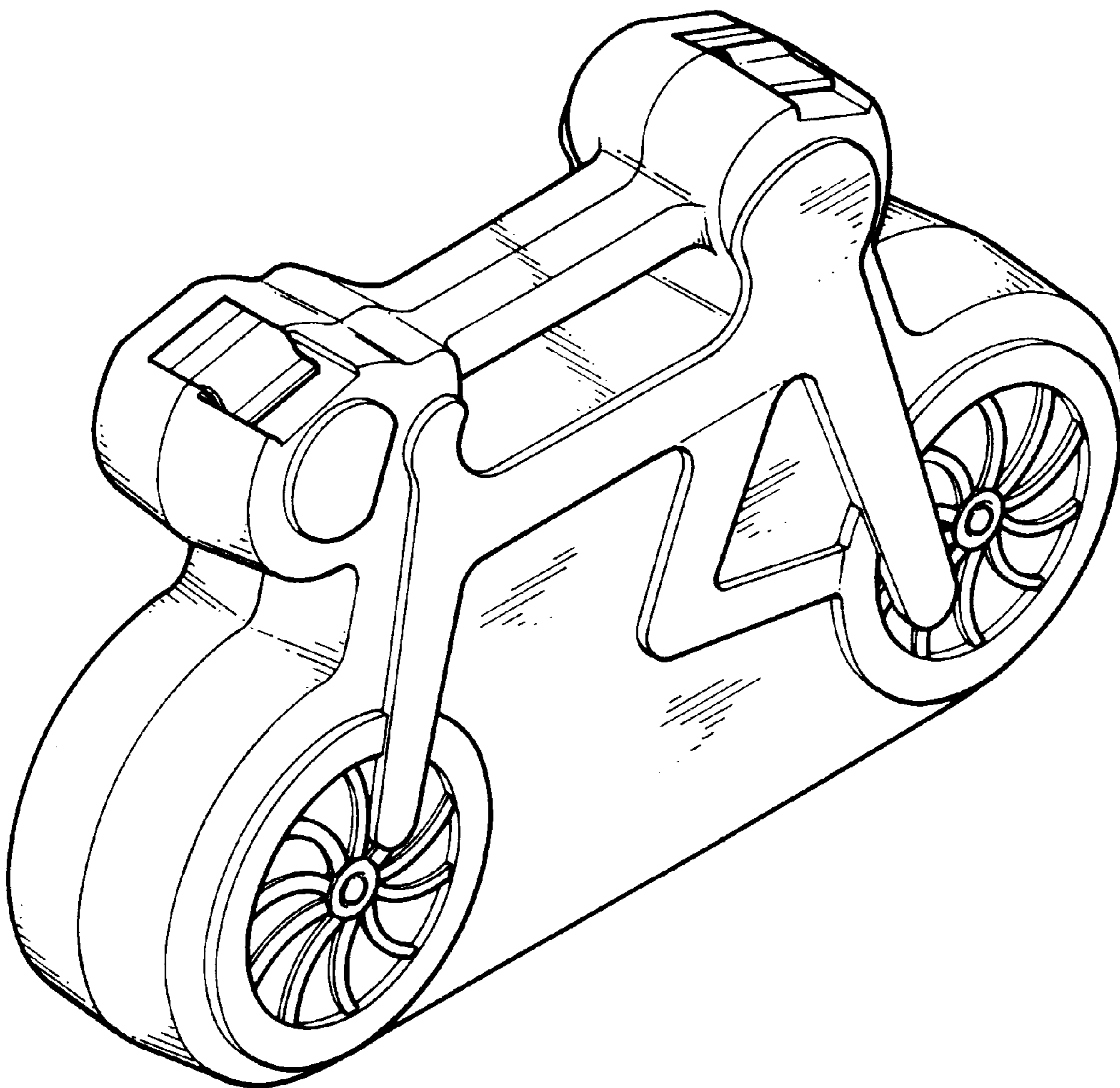
[57] **CLAIM**

The ornamental design for a tool box, as shown and described.

**DESCRIPTION**

FIG. 1 is a front elevational view of a tool box showing my new design;  
FIG. 2 is a rear elevational view thereof;  
FIG. 3 is a left side elevational view thereof;  
FIG. 4 is a right side elevational view thereof;  
FIG. 5 is a top plan view thereof;  
FIG. 6 is a bottom plan view thereof; and,  
FIG. 7 is a perspective view thereof.

**1 Claim, 6 Drawing Sheets**



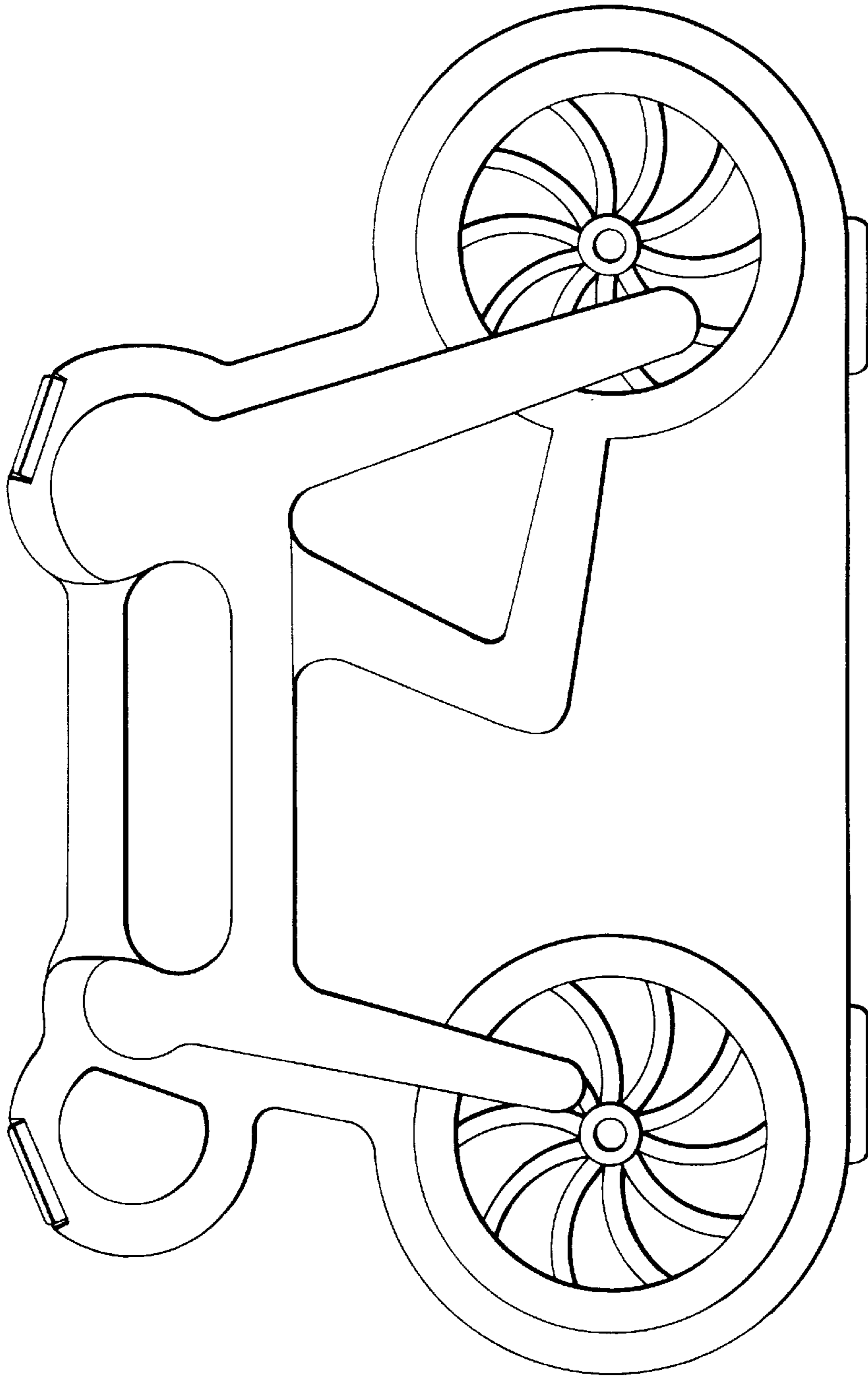


Fig. 1

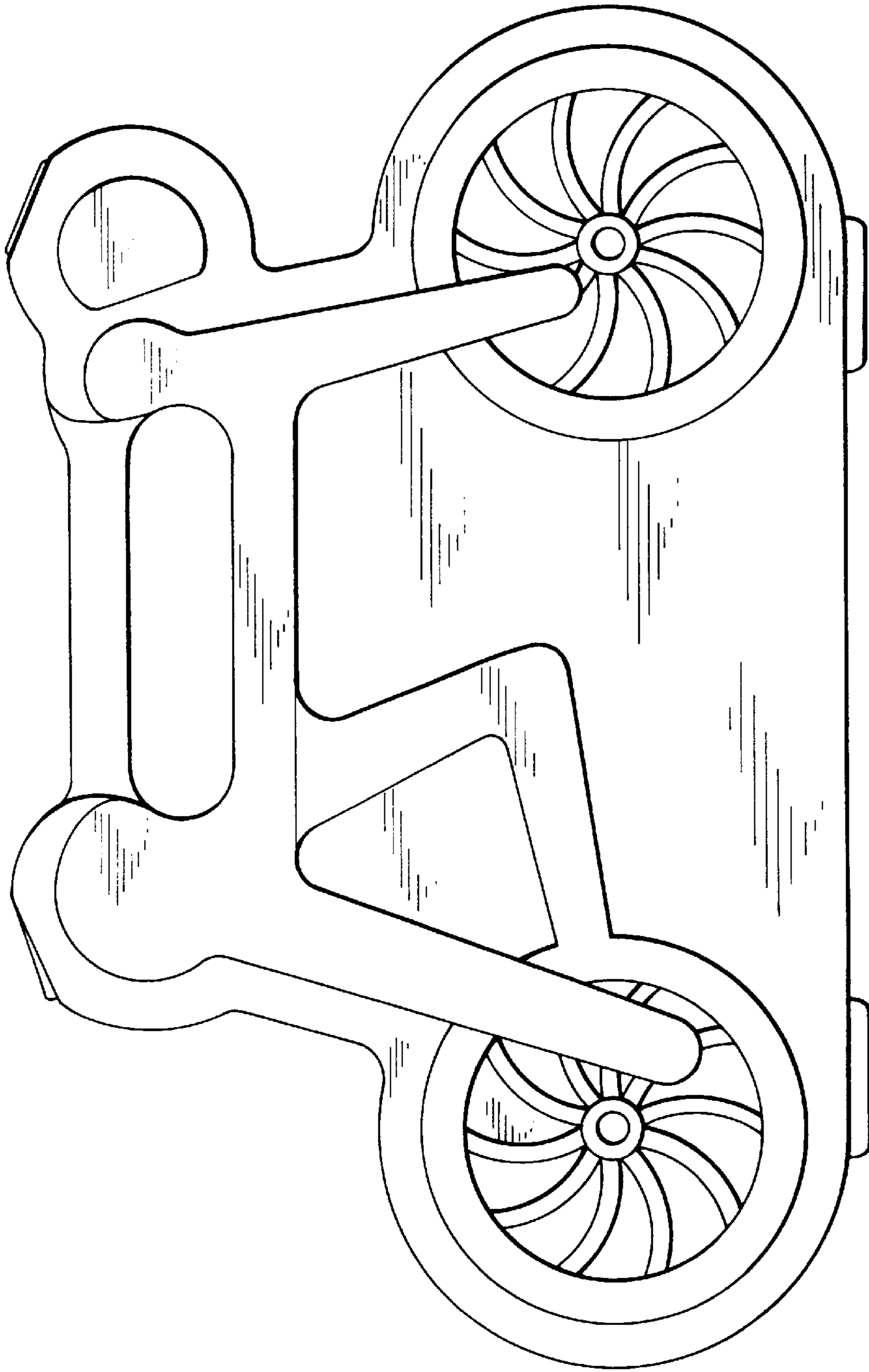


Fig. 2

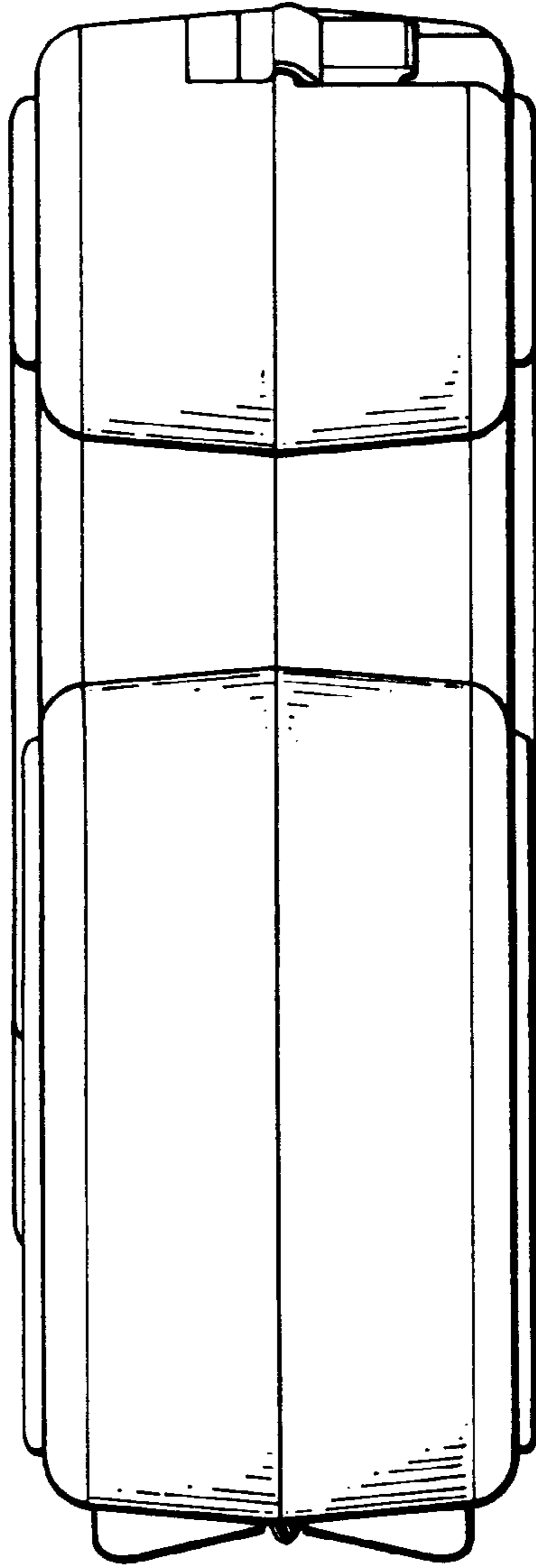


Fig. 3

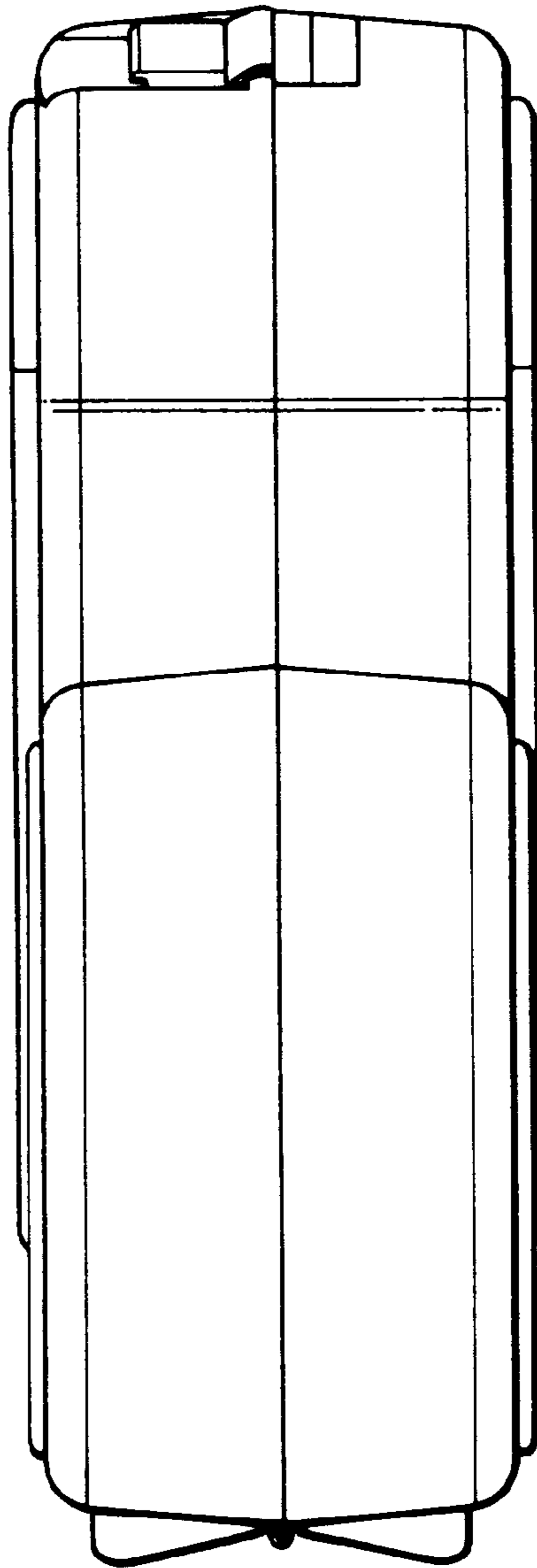


Fig. 4

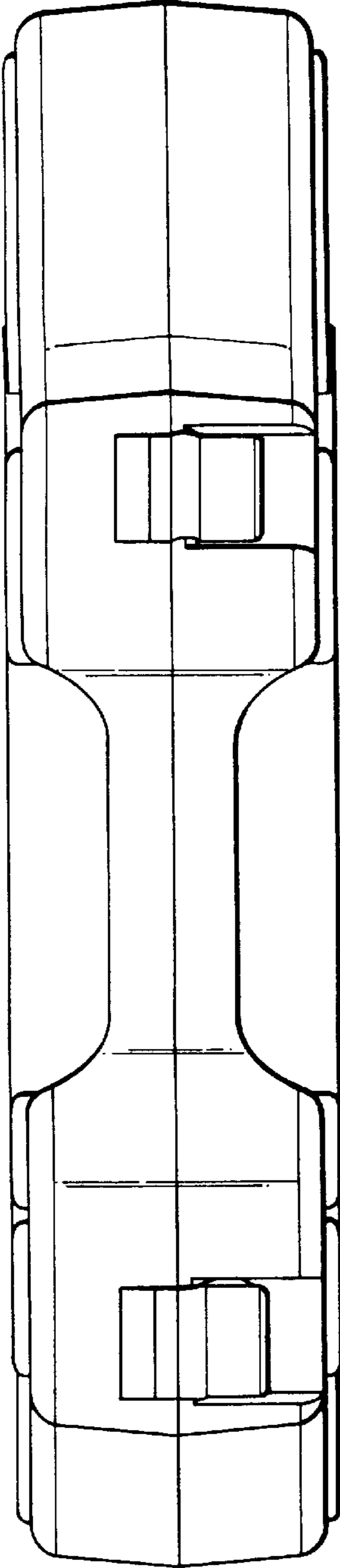


Fig. 5

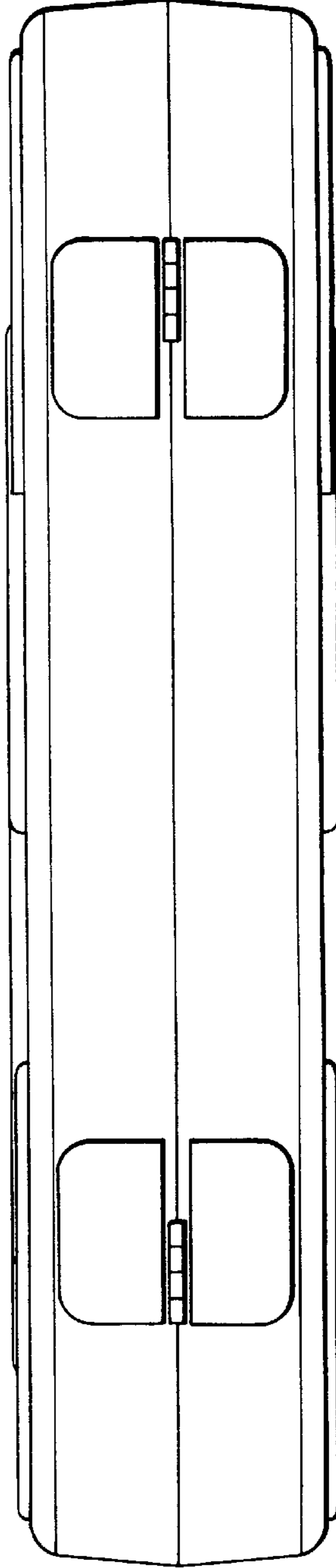


Fig. 6

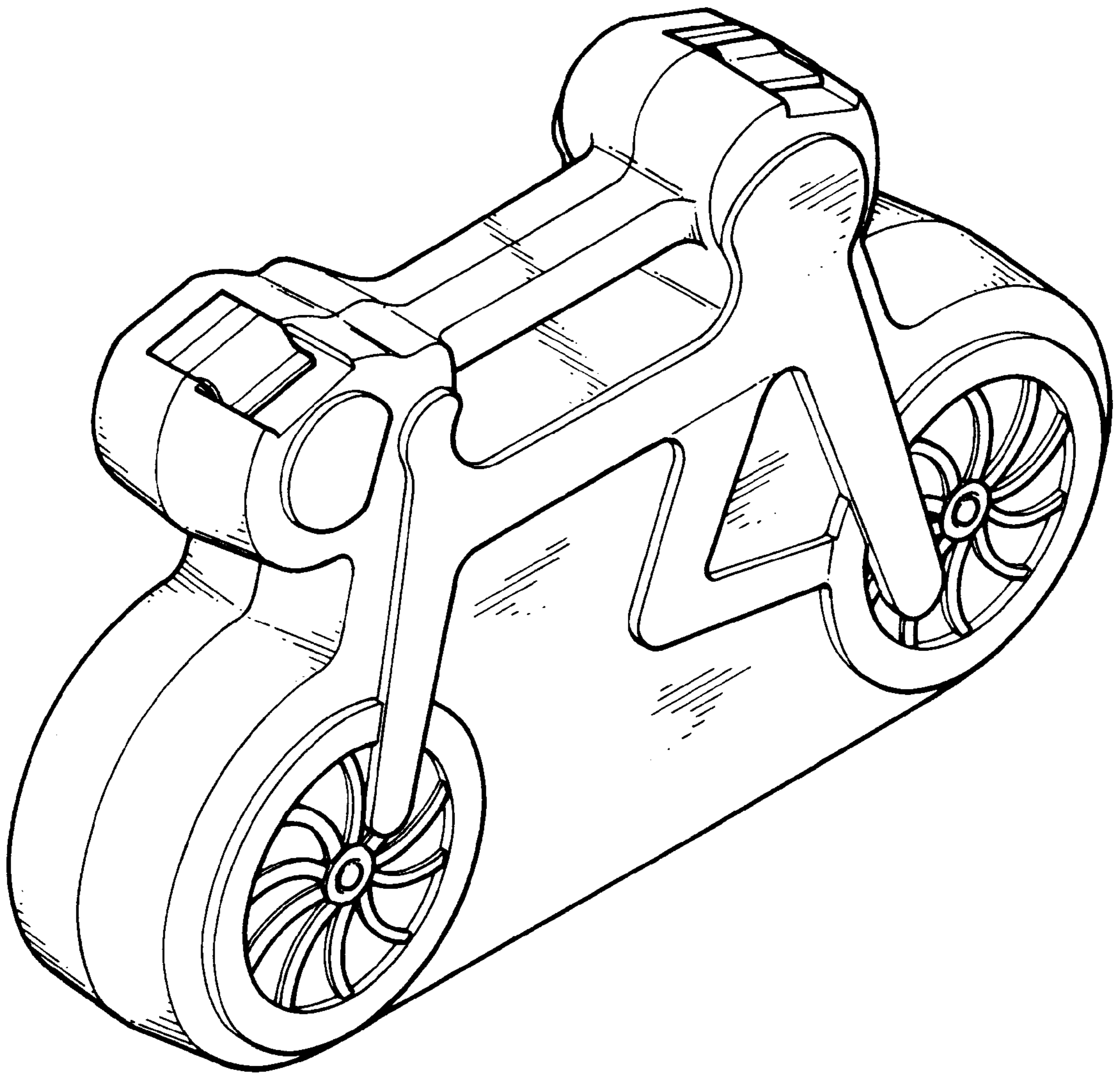


Fig. 7