



US00D415894S

United States Patent [19] Courville

[11] **Patent Number: Des. 415,894**

[45] **Date of Patent: ** Nov. 2, 1999**

[54] **DIALABLE FISHING TACKLE BOX**

5,018,298 5/1991 Spears 43/57.2

[76] Inventor: **Donald J. Courville**, 2203 Fairway Dr.,
Dodge City, Kans. 67801

Primary Examiner—Louis S. Zarfaz
Assistant Examiner—Catherine R. Oliver
Attorney, Agent, or Firm—Hill & Simpson

[**] Term: **14 Years**

[57] CLAIM

[21] Appl. No.: **29/086,516**

The ornamental design for a “dialable fishing tackle box,” as shown.

[22] Filed: **Apr. 15, 1998**

DESCRIPTION

[51] **LOC (6) Cl.** **03-01**

[52] **U.S. Cl.** **D3/260; D3/905**

[58] **Field of Search** D3/260, 904, 905;
D22/134, 136; 206/315.11; 43/21.2, 25.2,
26, 54.1, 57.1; 224/922

FIG. 1 is a top perspective view of the dialable fishing tackle box showing my new design;
FIG. 2 is a bottom perspective view, shown in an open position;
FIG. 3 is a front view;
FIG. 4 is a rear view thereof;
FIG. 5 is a right side view thereof;
FIG. 6 is a left side view thereof;
FIG. 7 is a top view thereof; and,
FIG. 8 is a bottom view of the present design.

[56] References Cited

U.S. PATENT DOCUMENTS

D. 173,869	1/1955	Crawford	D3/260
D. 325,122	4/1992	Meyers	D3/260
D. 401,058	11/1998	Blackburn	D3/260
D. 401,059	11/1998	Blackburn	D3/260

1 Claim, 7 Drawing Sheets

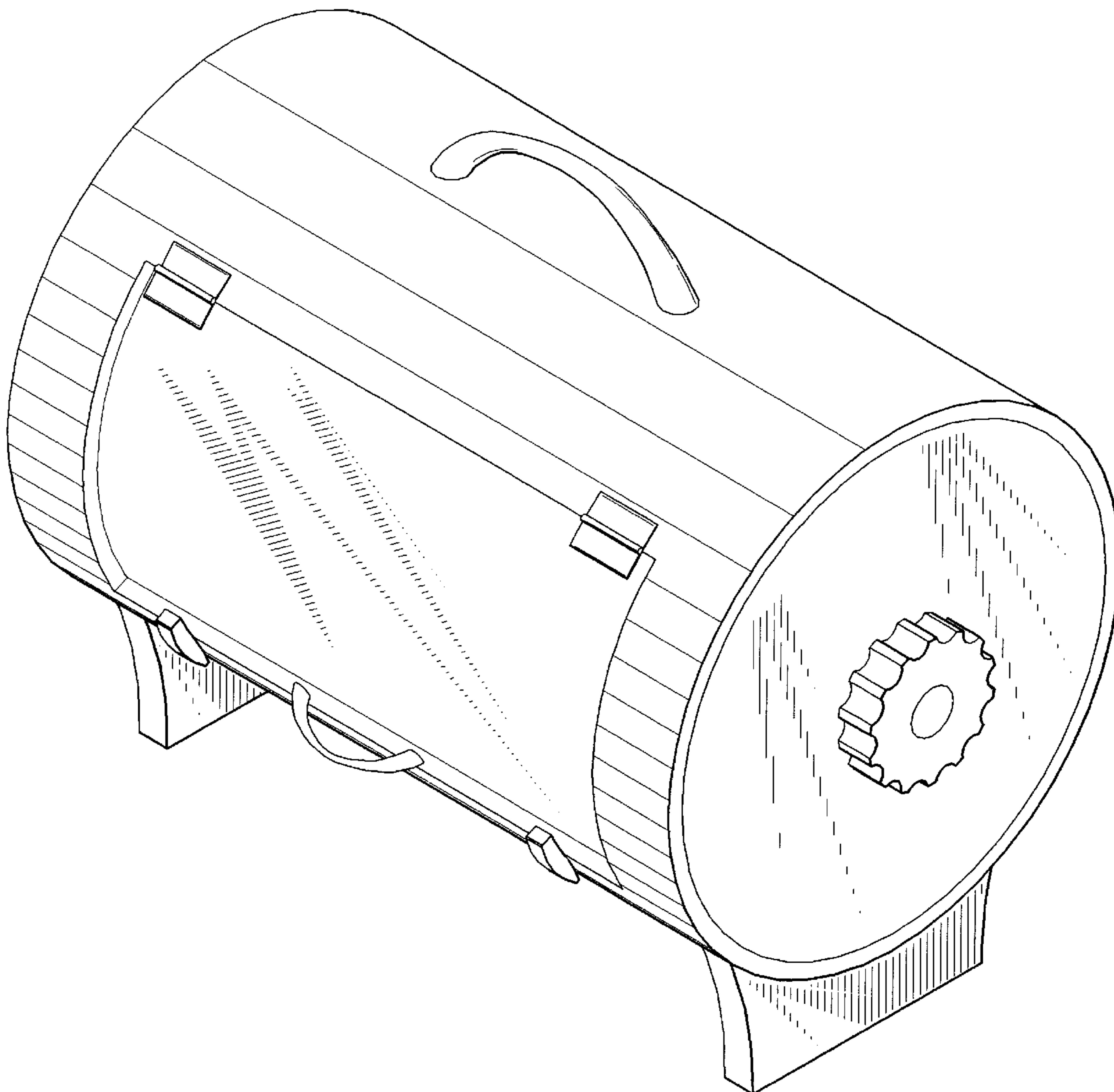


FIG. 1

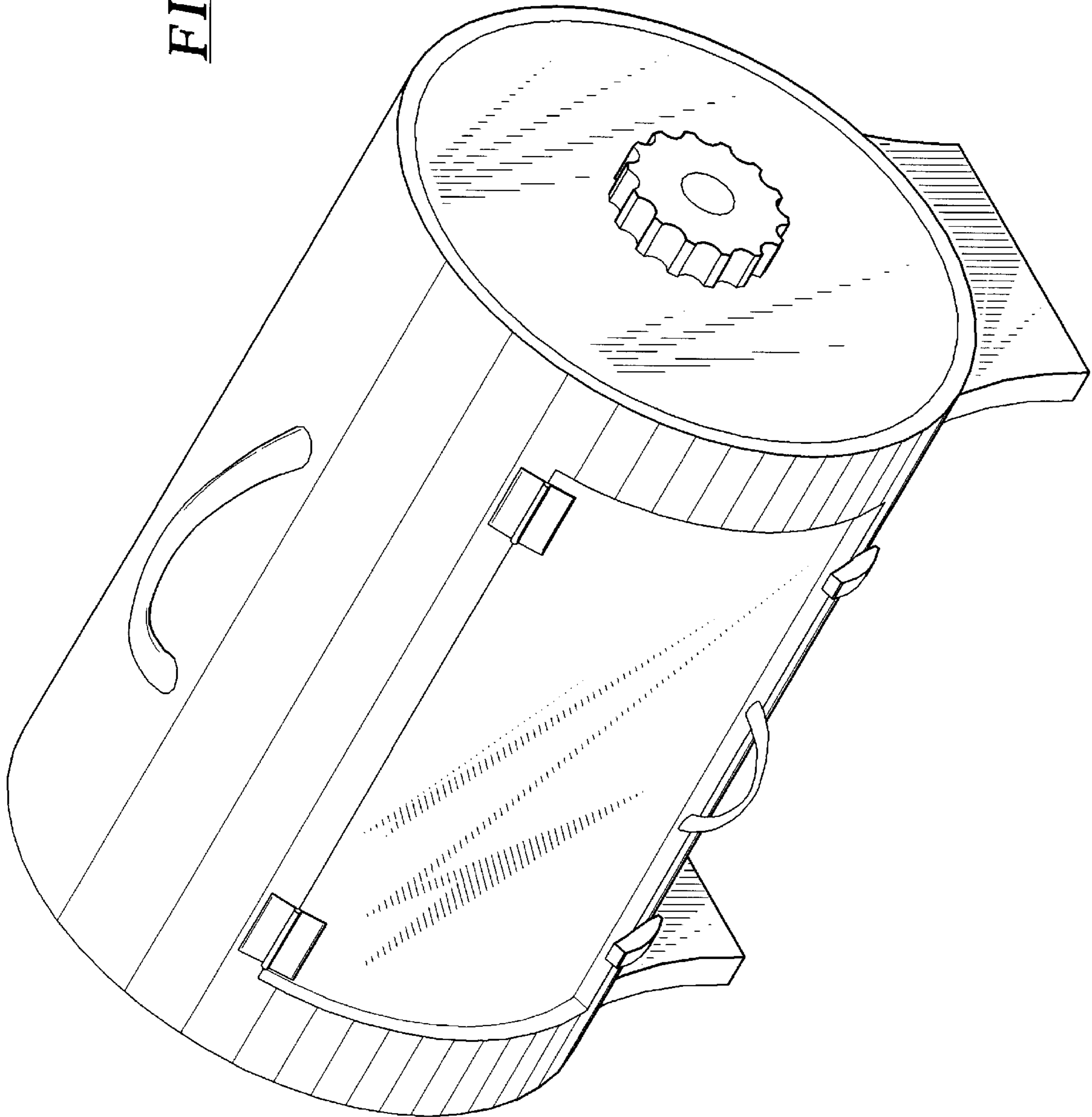
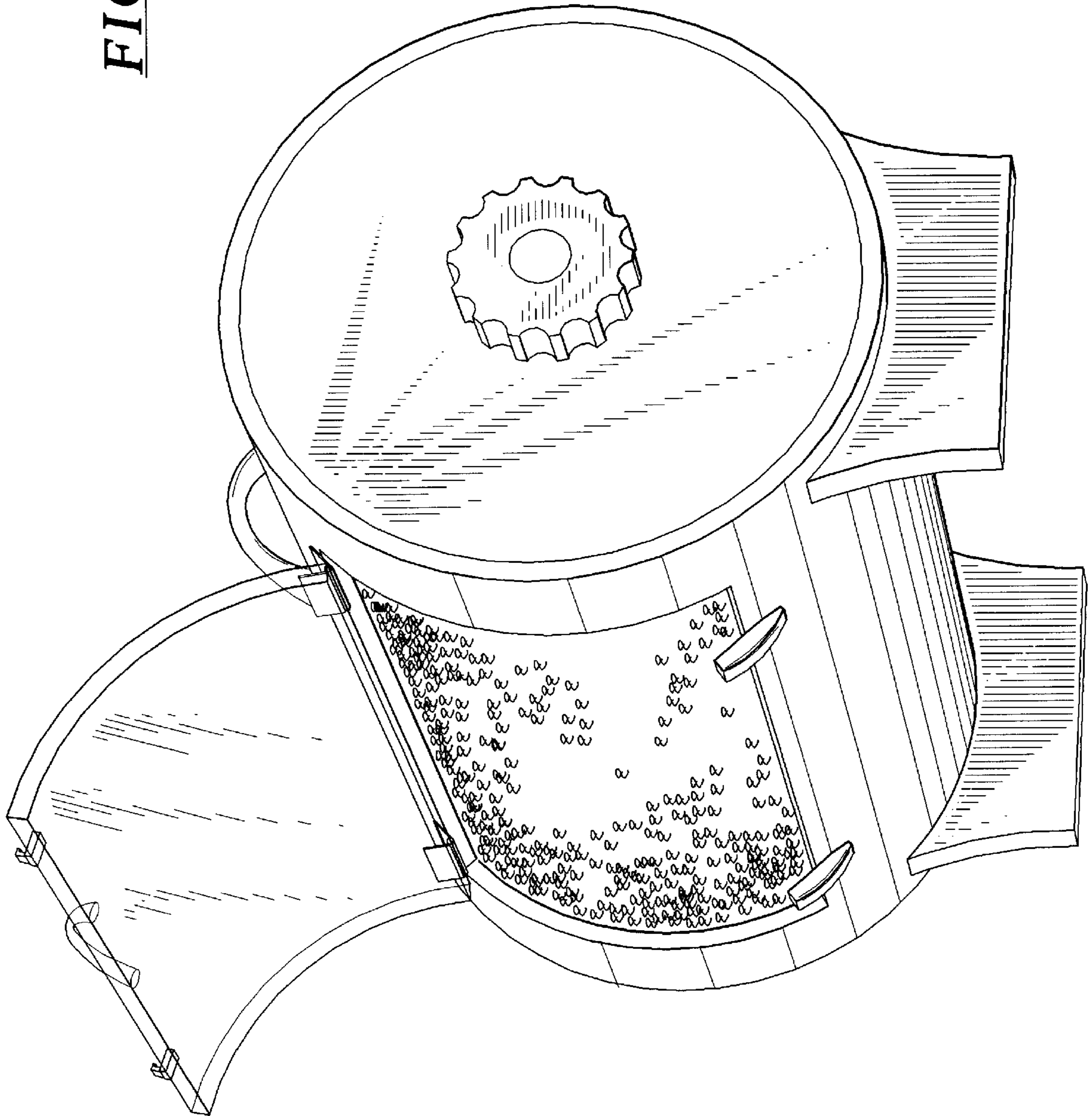


FIG. 2



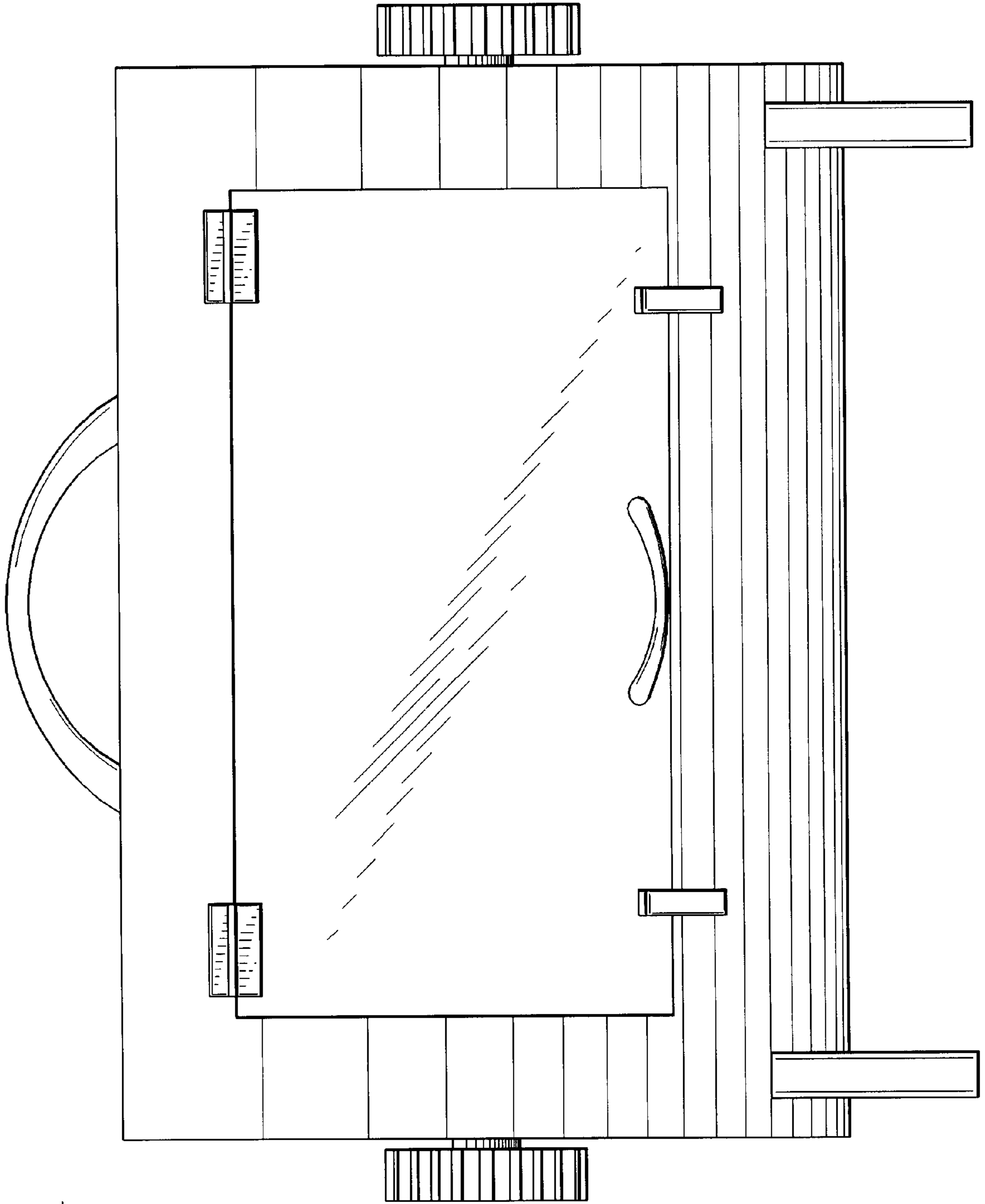


FIG. 3

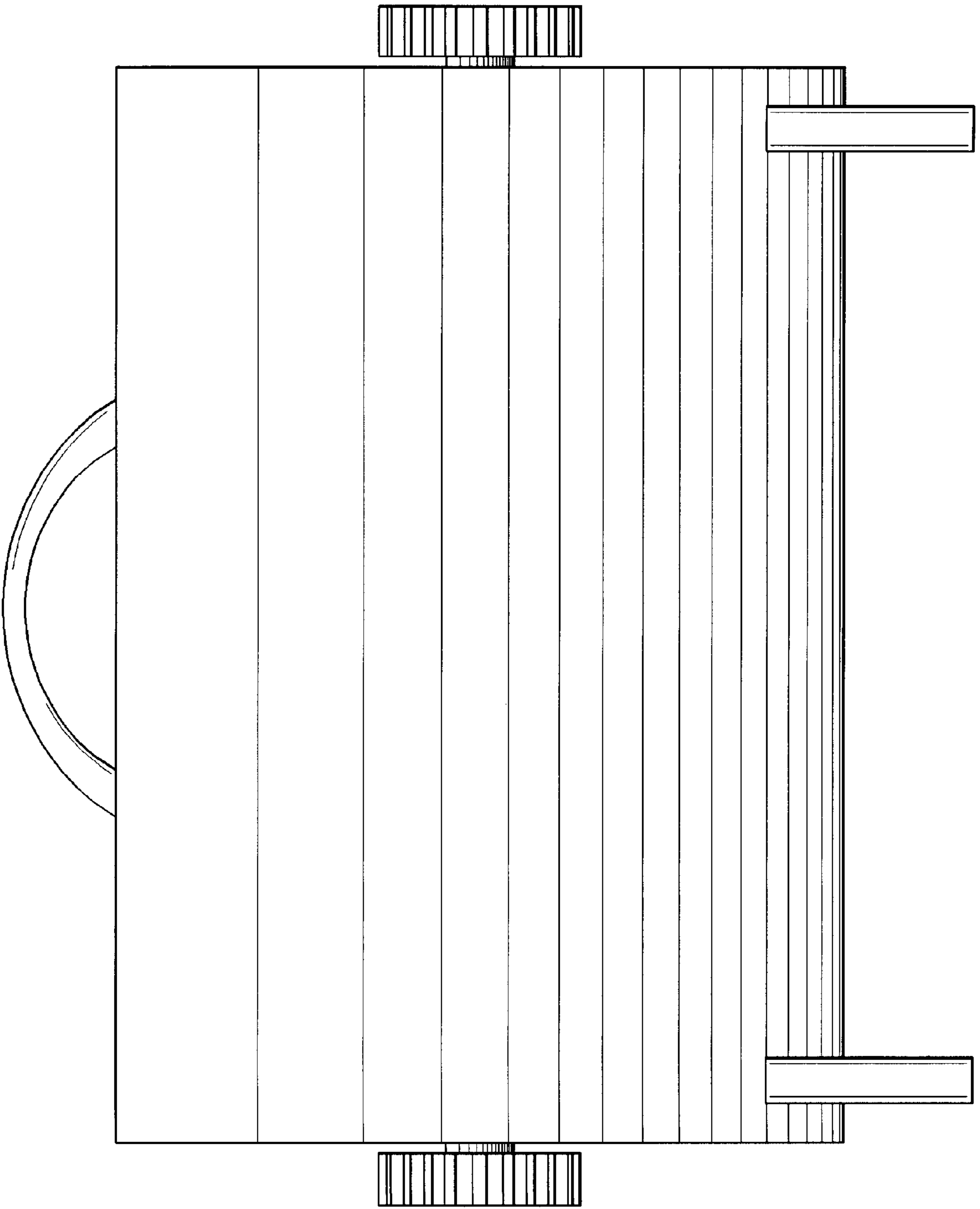


FIG. 4

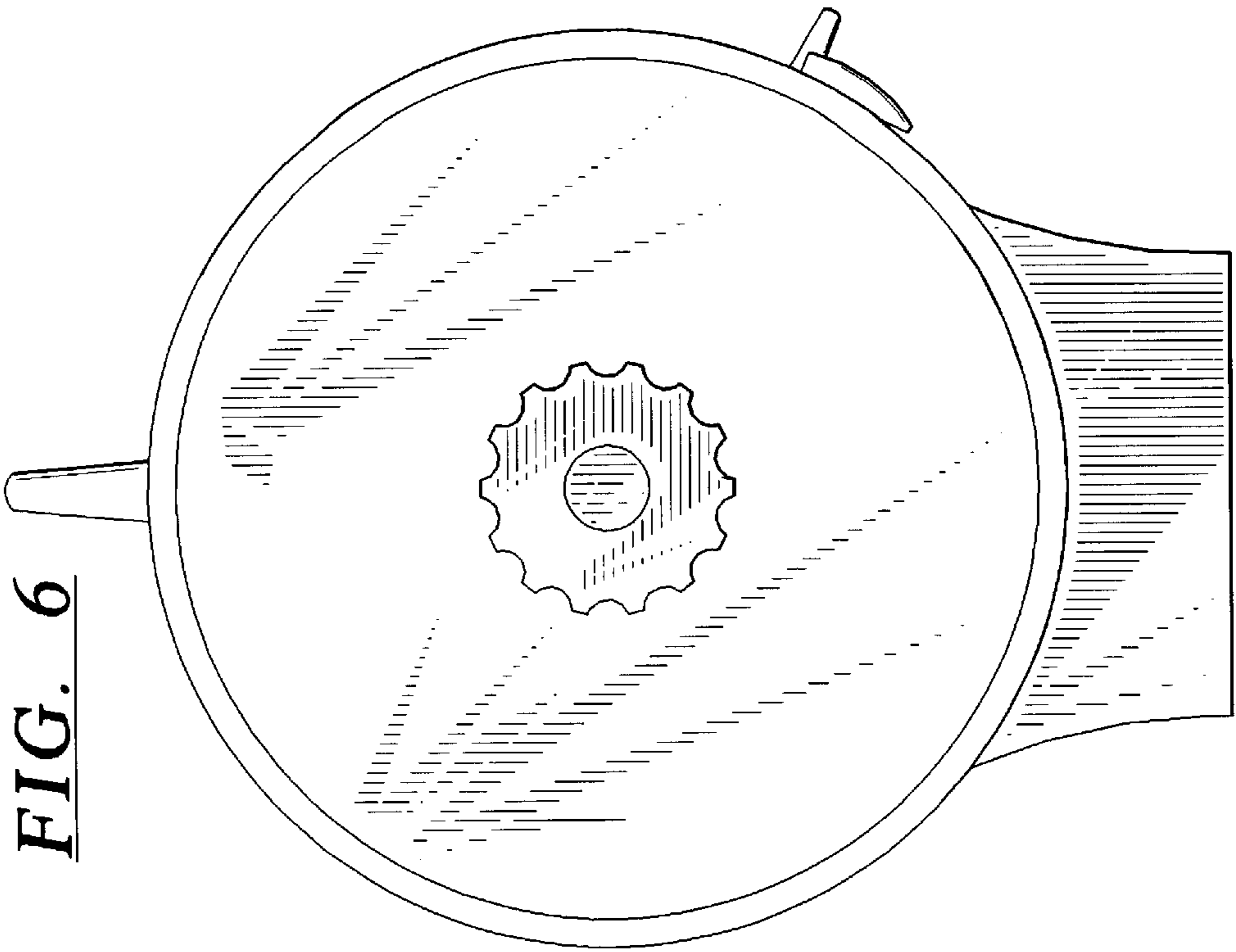


FIG. 6

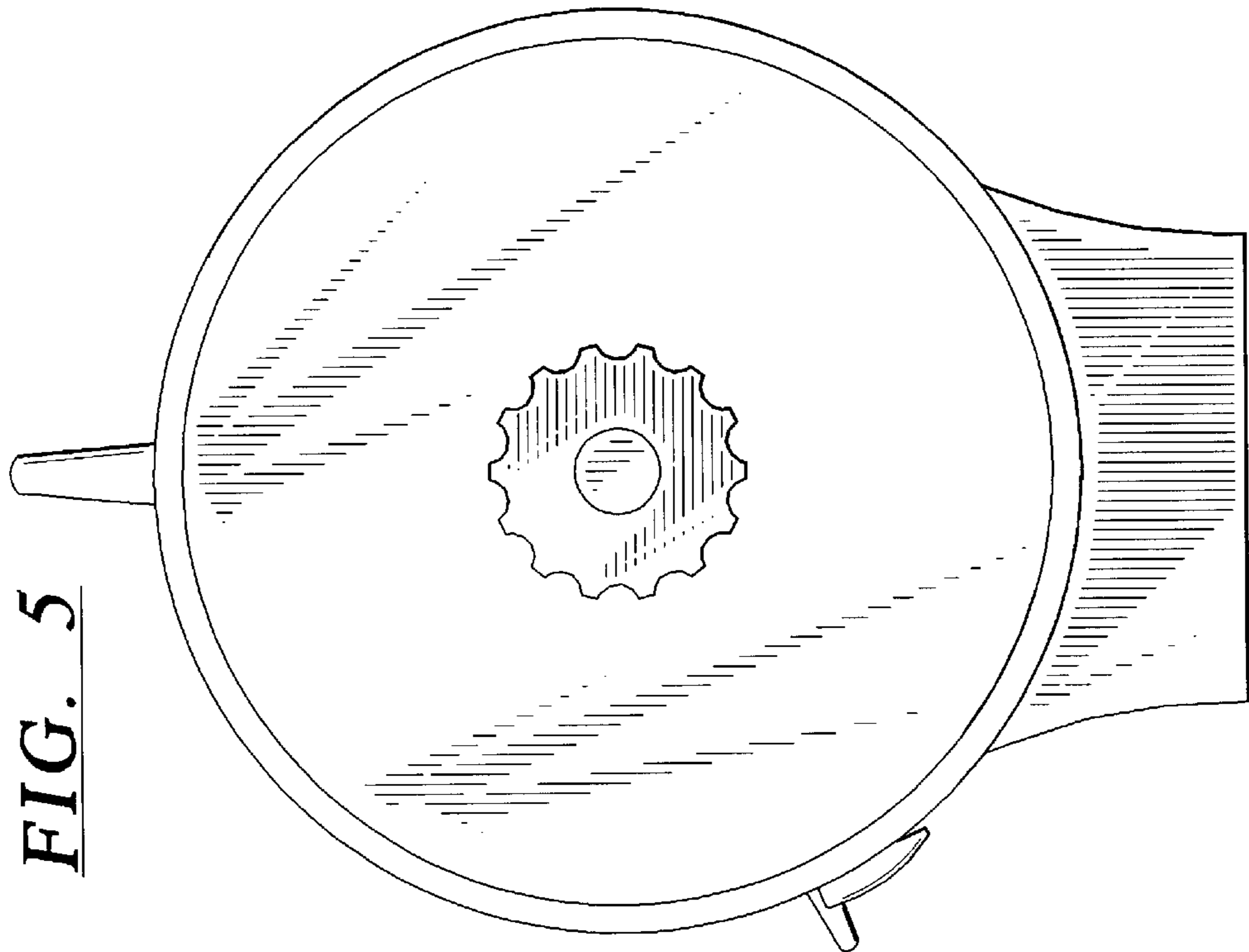


FIG. 5

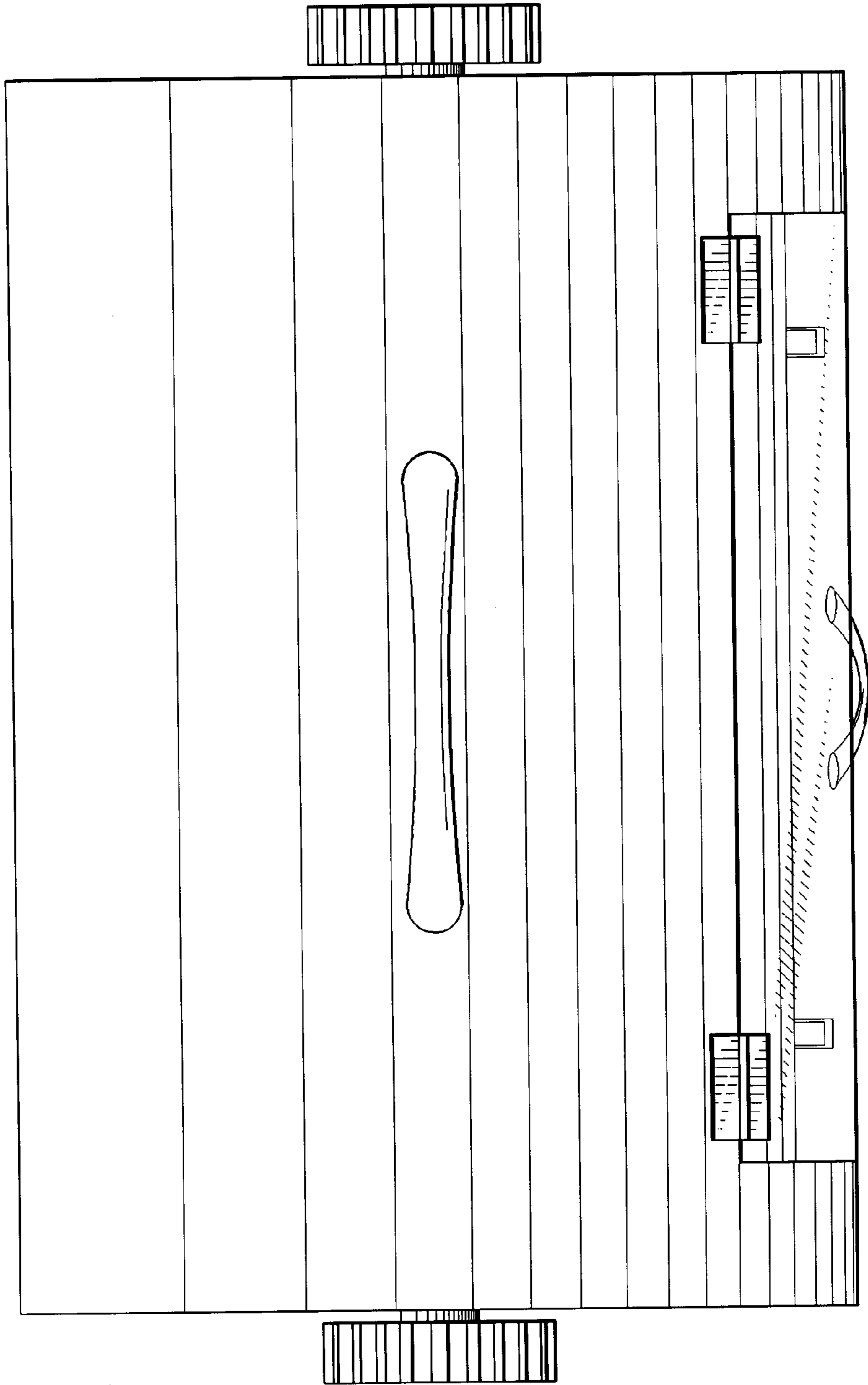


FIG. 7

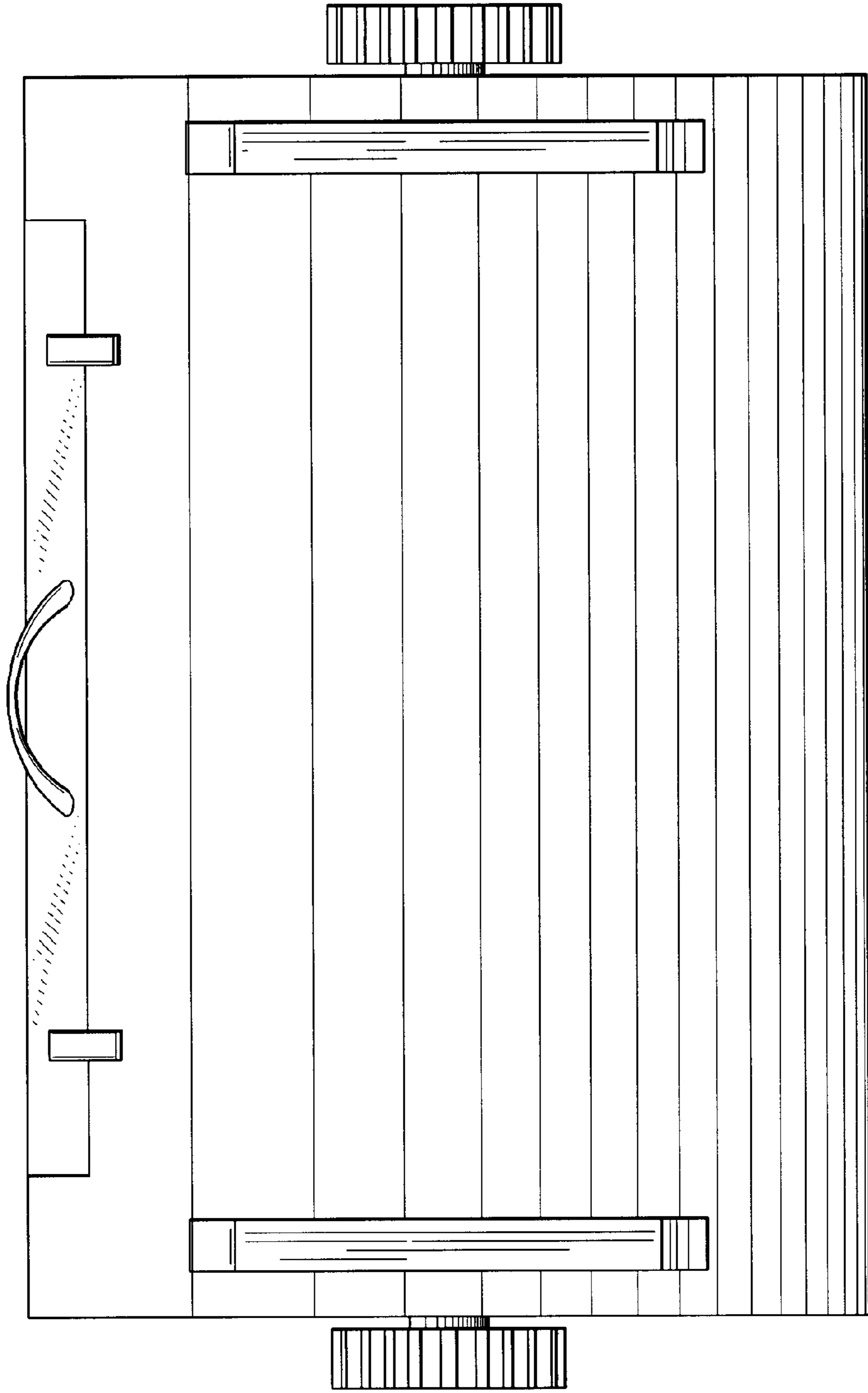


FIG. 8