



US00D415891S

# United States Patent [19]

[11] **Patent Number: Des. 415,891**

**Renna**

[45] **Date of Patent: \*\* Nov. 2, 1999**

[54] **FISHERMAN'S TACKLE HOLSTER**

*Primary Examiner*—Louis S. Zarfes  
*Assistant Examiner*—Catherine R. Oliver  
*Attorney, Agent, or Firm*—Woodrow Douglas English

[76] Inventor: **Louis A. Renna**, 511 Spring Rd., #5,  
Moorpark, Calif. 93021

[\*\*] Term: **14 Years**

[57] **CLAIM**

The ornamental design for a fisherman's tackle holster, as shown and described.

[21] Appl. No.: **29/094,773**

**DESCRIPTION**

[22] Filed: **Oct. 9, 1998**

[51] **LOC (6) Cl.** ..... **03-01**

FIG. 1 is a front elevational view of the fisherman's tackle holster showing my new design;  
FIG. 2 is a top plan view thereof;  
FIG. 3 is a rear elevational view thereof;  
FIG. 4 is a bottom plan view thereof;  
FIG. 5 is a right side elevational view thereof;  
FIG. 6 is a left side elevational view thereof;  
FIG. 7 is a perspective view thereof; and,  
FIG. 8 is a perspective view of a second embodiment of the holster disclosed in FIGS. 1-7. The only difference in the second embodiment being the front and side pockets.  
The broken line showing of environment is for illustrative purposes only and forms no part of the claimed design.

[52] **U.S. Cl.** ..... **D3/221; D3/228**

[58] **Field of Search** ..... D3/228, 221, 215,  
D3/218, 219, 220, 224, 226, 260; 224/920,  
904, 901, 232, 236, 240, 245

[56] **References Cited**

**U.S. PATENT DOCUMENTS**

D. 381,804	8/1997	Dancyger	.....	D3/228
2,664,231	12/1953	La Mantia	.....	224/904
3,637,120	1/1972	Clay	.....	D3/228 X
5,388,740	2/1995	Garland	.....	224/904 X
5,568,889	10/1996	Holloway, Jr. et al.	.....	224/904 X

**1 Claim, 2 Drawing Sheets**

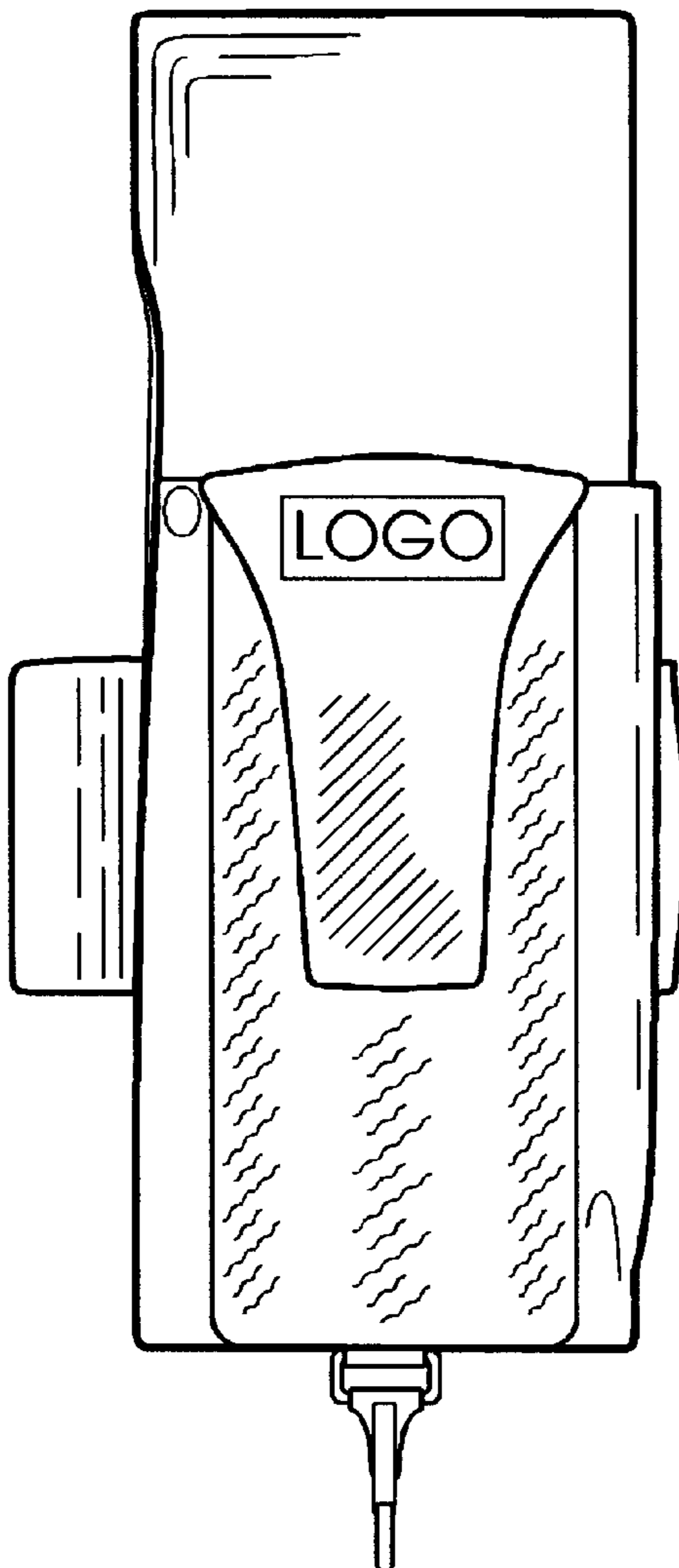


Fig. 1

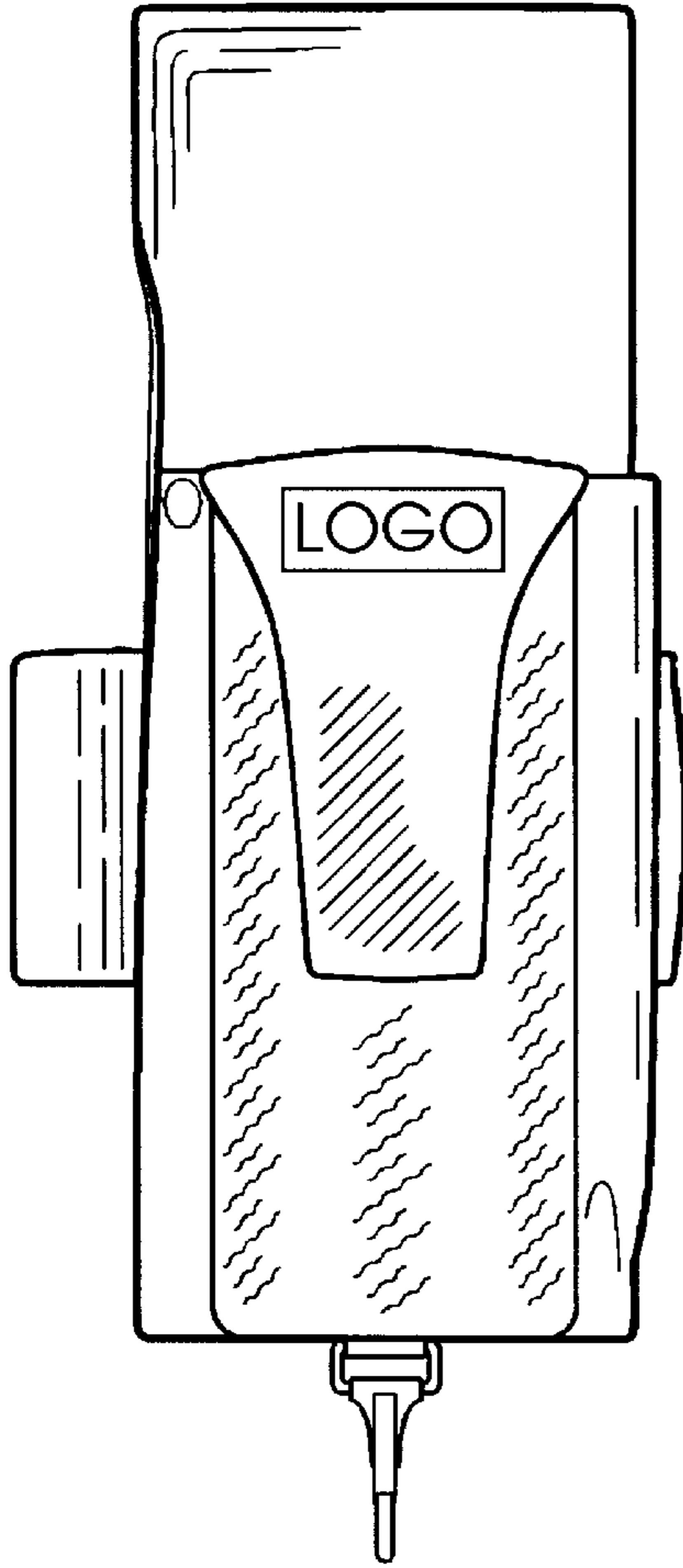


Fig. 2

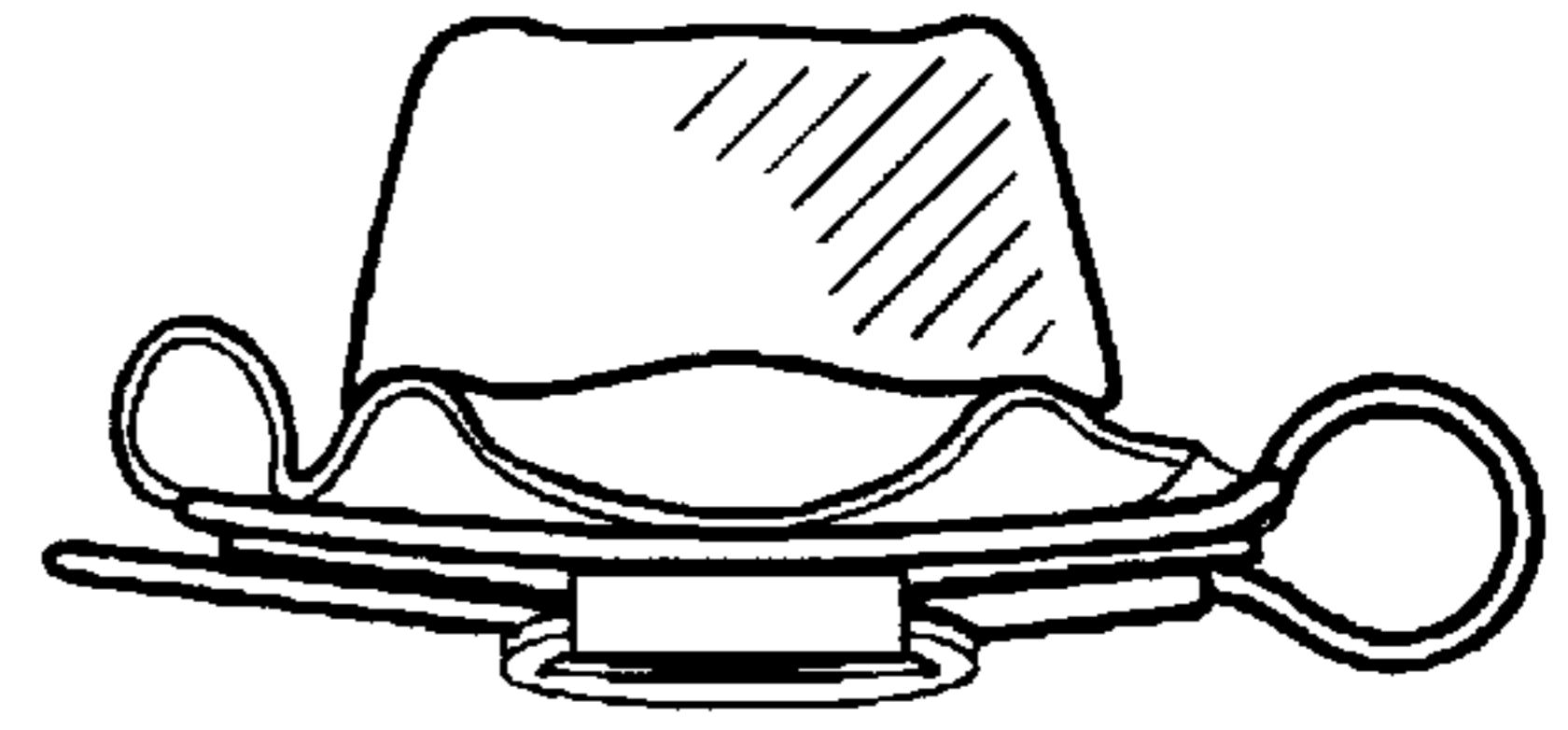


Fig. 3

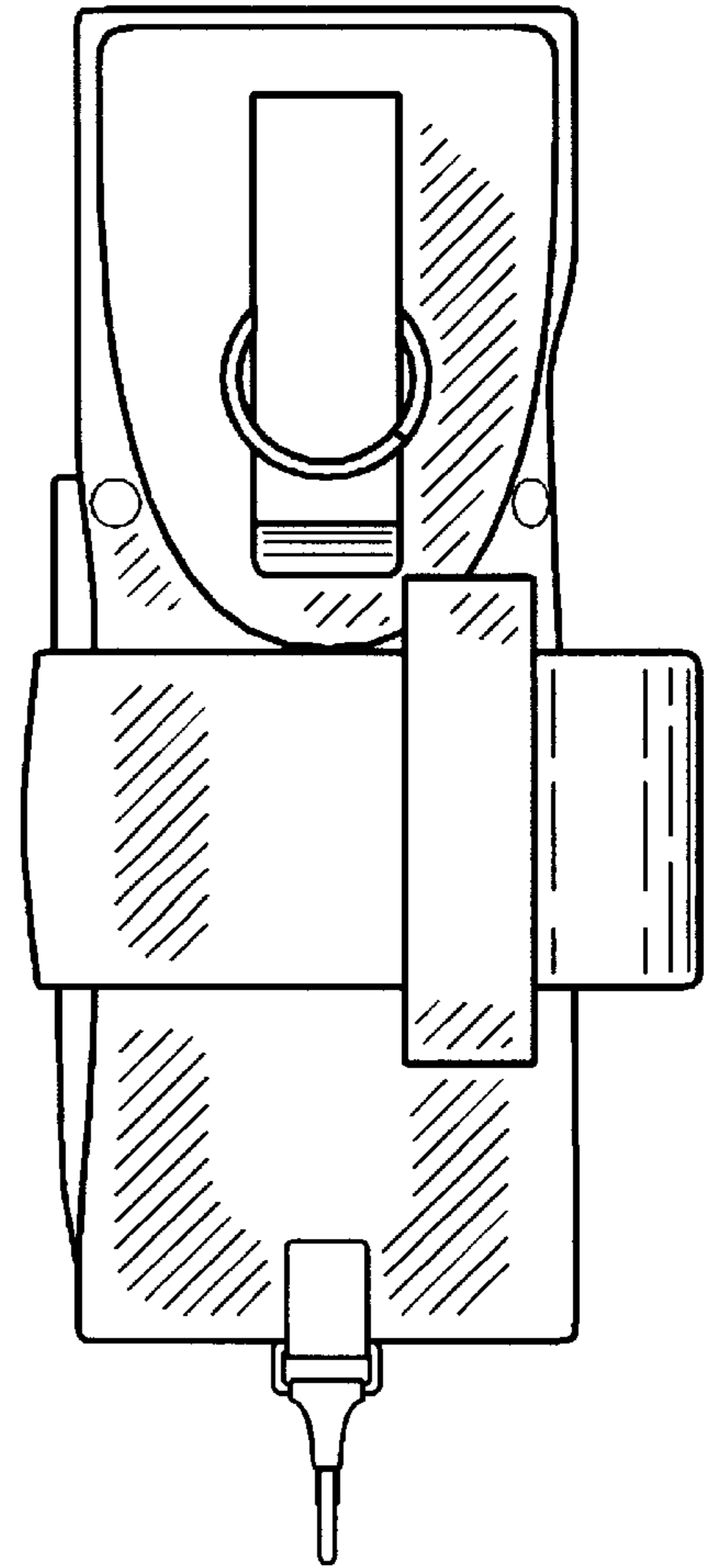


Fig. 4

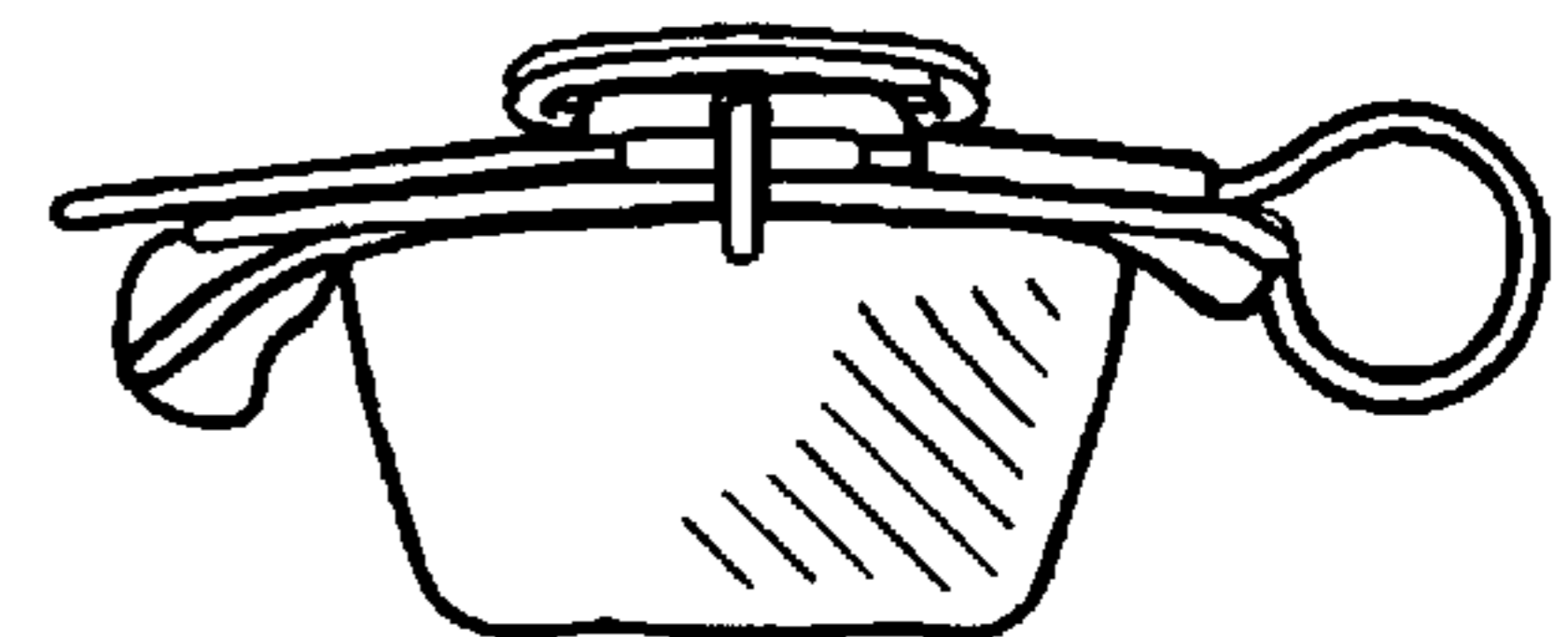


Fig. 5

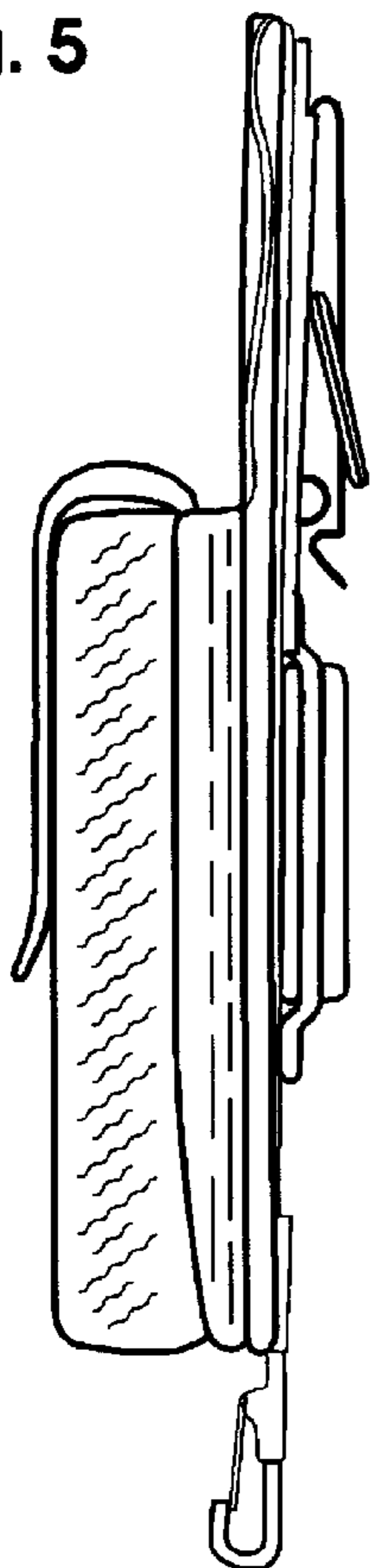


Fig. 6

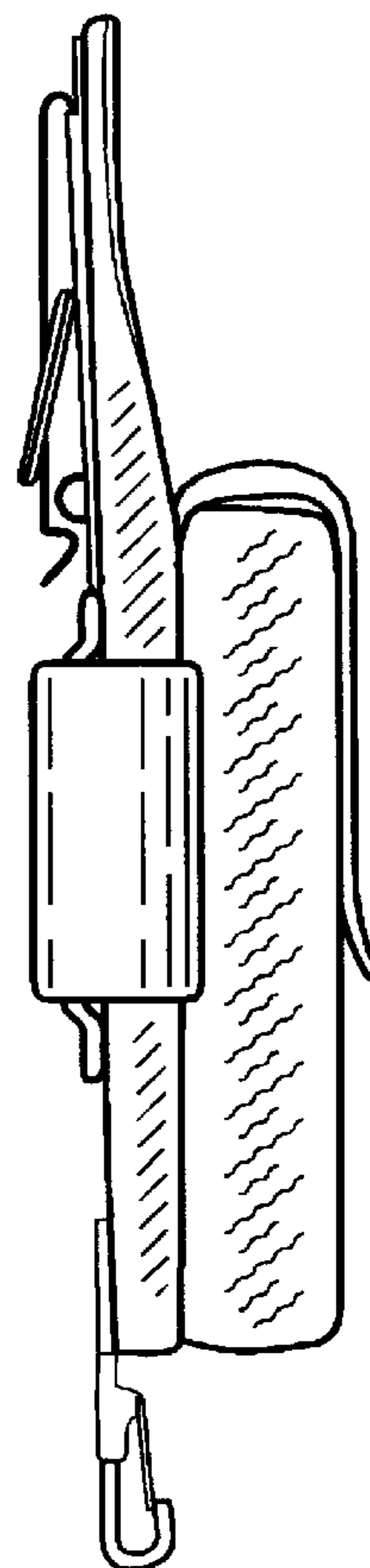


Fig. 7

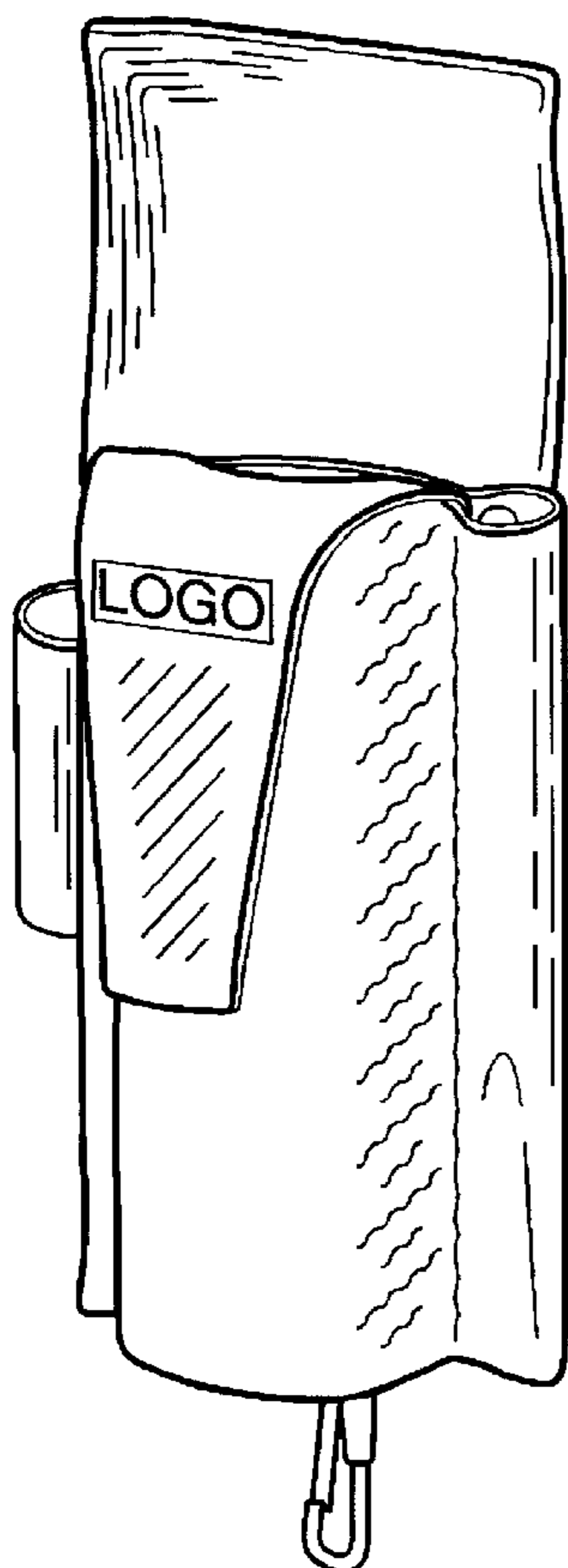


Fig. 8

