



US00D415887S

# United States Patent [19] Chen

[11] **Patent Number: Des. 415,887**

[45] **Date of Patent: \*\* Nov. 2, 1999**

[54] **YARN FEEDING WHEEL**

[76] Inventor: **Jen-Hui Chen**, c/o Percy International Patent Corp., P. O. Box 1-79, Taipei, Taiwan

[\*\*] Term: **14 Years**

[21] Appl. No.: **29/095,777**

[22] Filed: **Oct. 30, 1998**

[51] **LOC (6) Cl.** ..... **02-07**

[52] **U.S. Cl.** ..... **D3/24**

[58] **Field of Search** ..... D3/18, 20, 23, D3/24, 26, 28; 66/116, 117, 118, 125 R, 132 R, 132 T; 223/102, 106, 107, 109 R; D9/447, 516; 242/366

[56] **References Cited**

**U.S. PATENT DOCUMENTS**

3,709,444 1/1973 Tannert ..... 242/366  
4,138,866 2/1979 Fecker et al. .... 66/132 R

4,574,597 3/1986 Buck et al. .... 66/125 R  
4,793,565 12/1988 Fecker ..... 242/366  
5,802,880 9/1998 Min ..... 66/132 R  
5,839,685 11/1998 Chen ..... 242/366

*Primary Examiner*—Louis S. Zarfes  
*Assistant Examiner*—Catherine R. Oliver

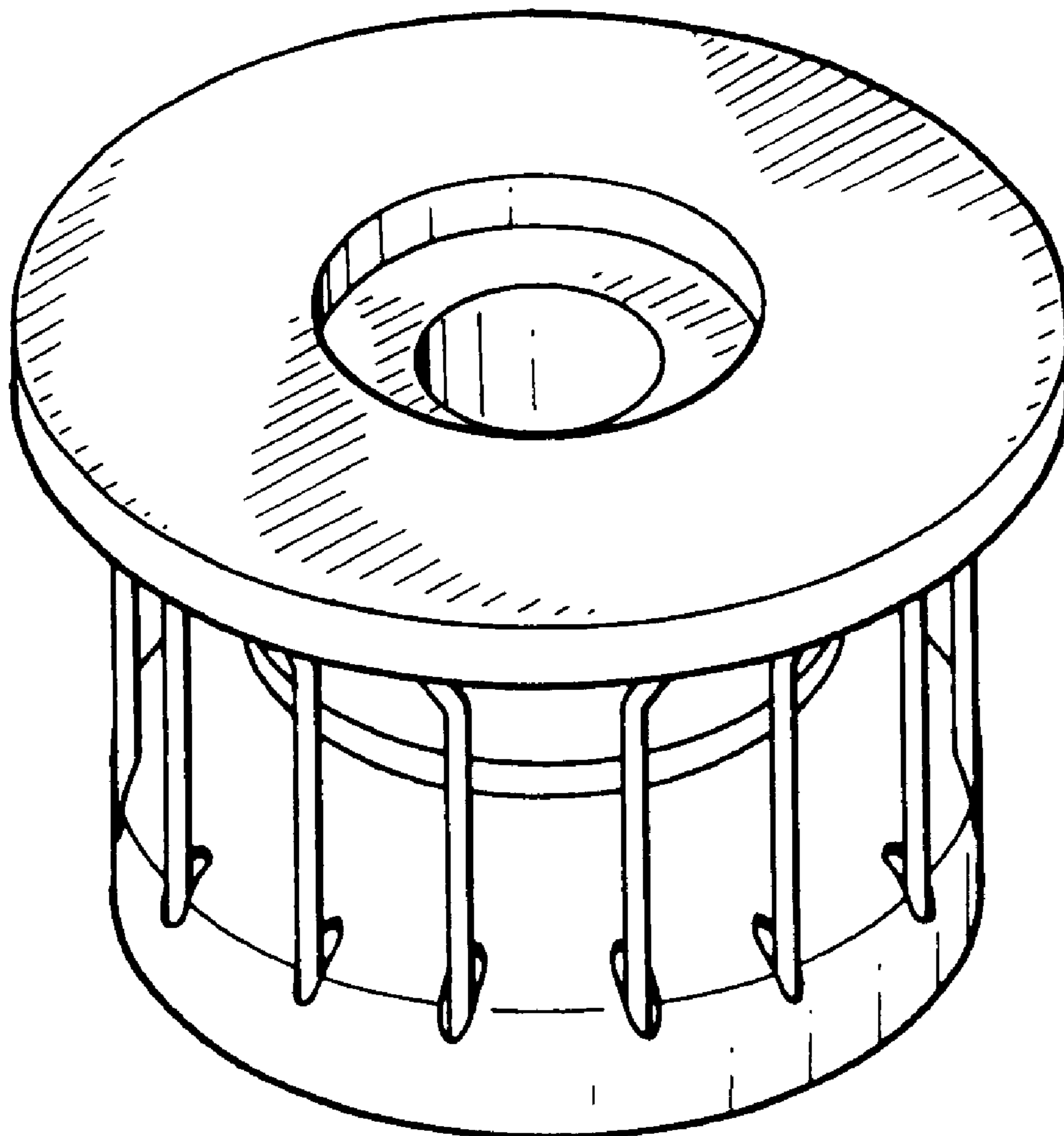
[57] **CLAIM**

The ornamental design for a yarn feeding wheel, as shown and described.

**DESCRIPTION**

FIG. 1 is a perspective view of the yarn feeding wheel of this invention;  
FIG. 2 is a front elevational view thereof; and the rear elevational view being a mirror image thereof;  
FIG. 3 is a left side elevational view thereof; and the right side elevational view being a mirror image thereof;  
FIG. 4 is a top plan view thereof; and,  
FIG. 5 is a bottom plan view thereof.

**1 Claim, 2 Drawing Sheets**



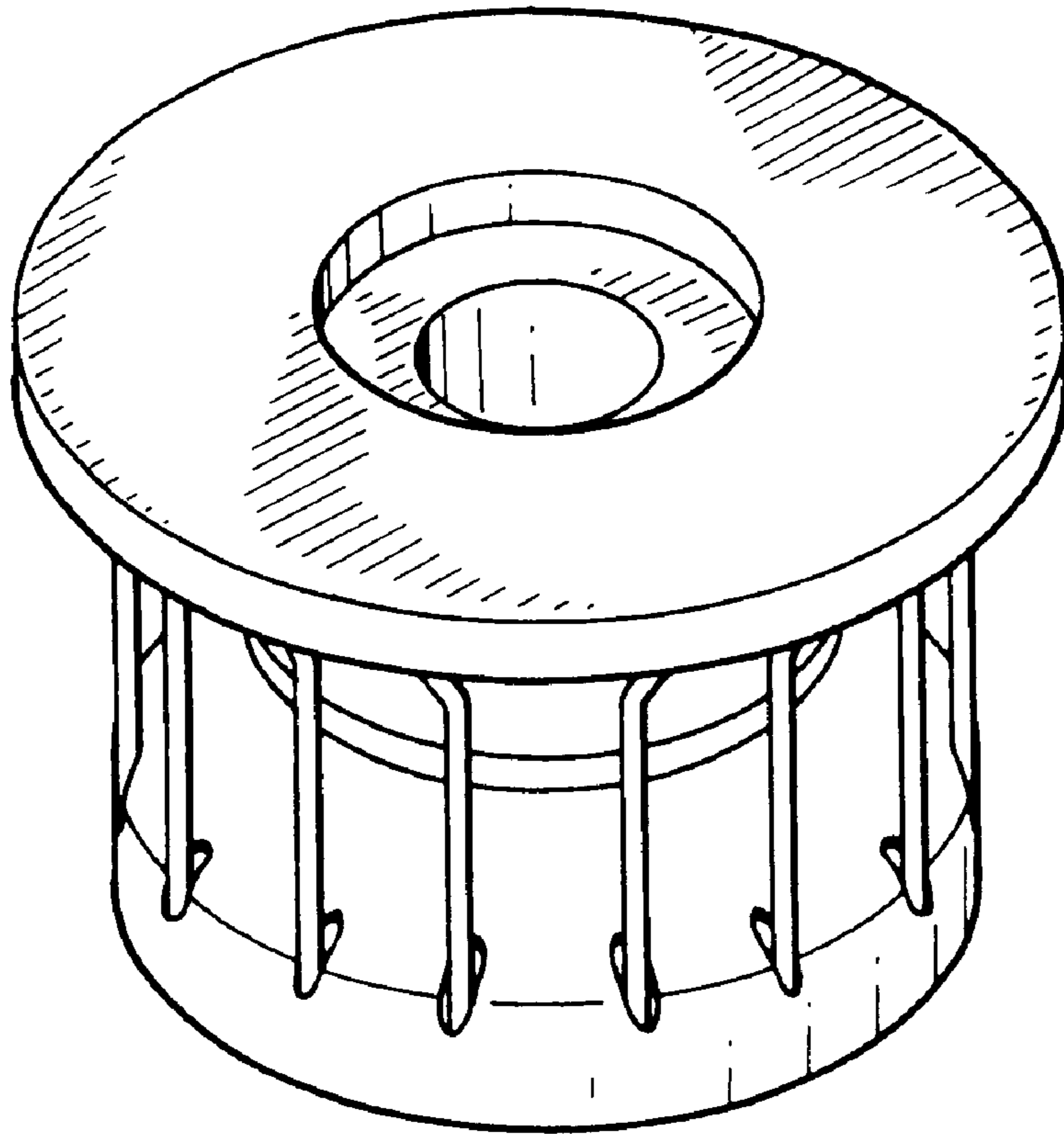


FIG. 1

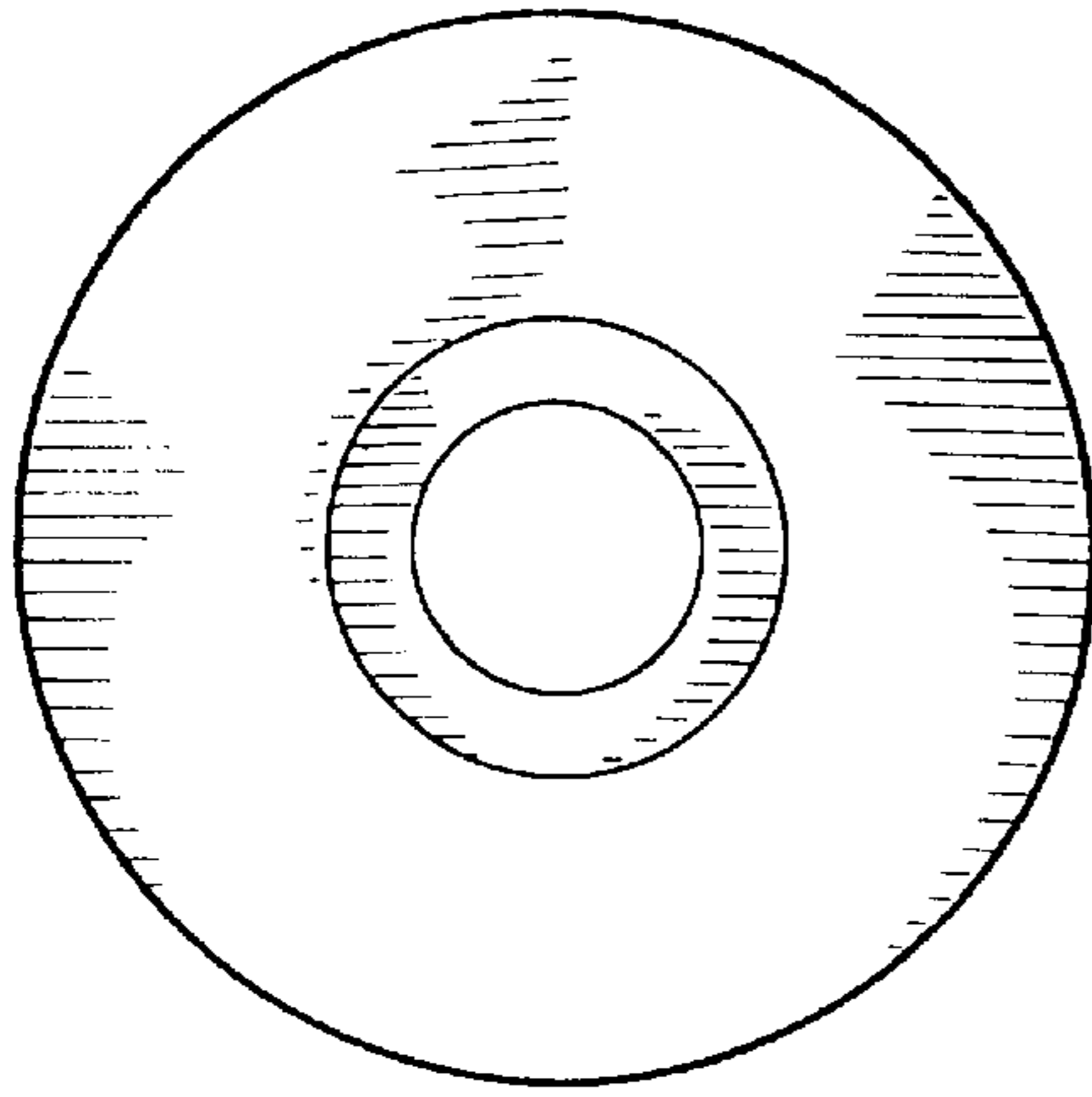


FIG. 4

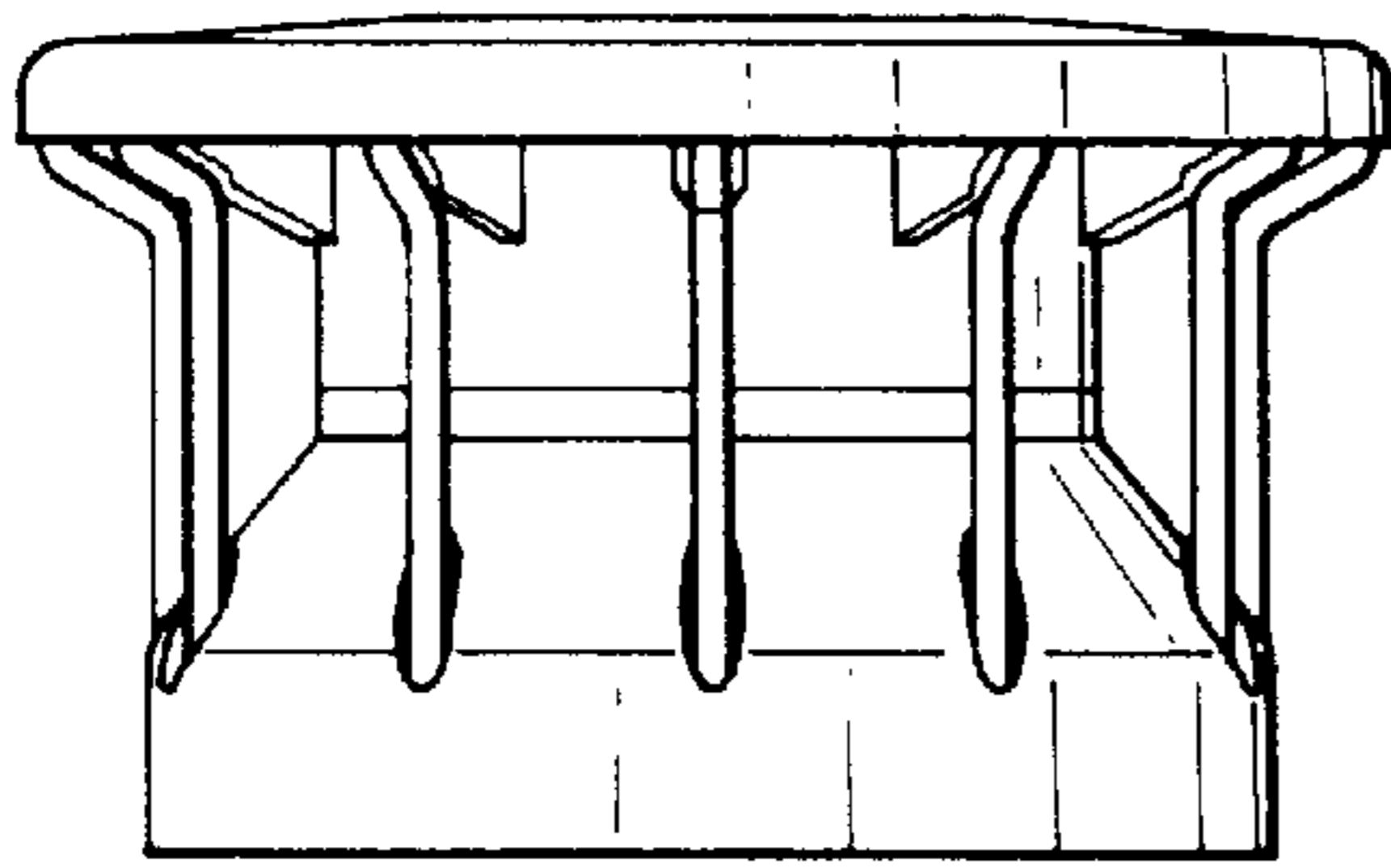


FIG. 2

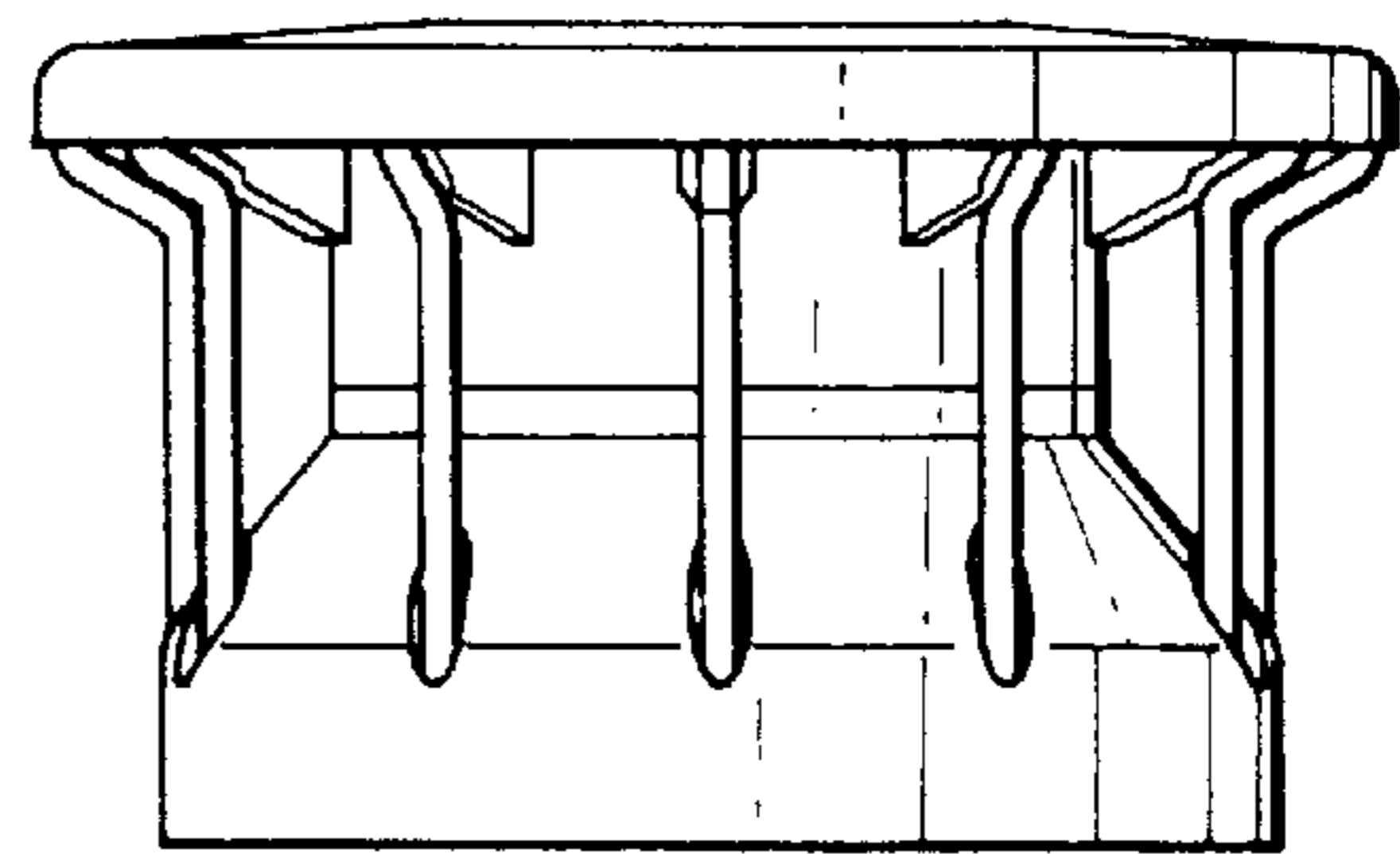


FIG. 3

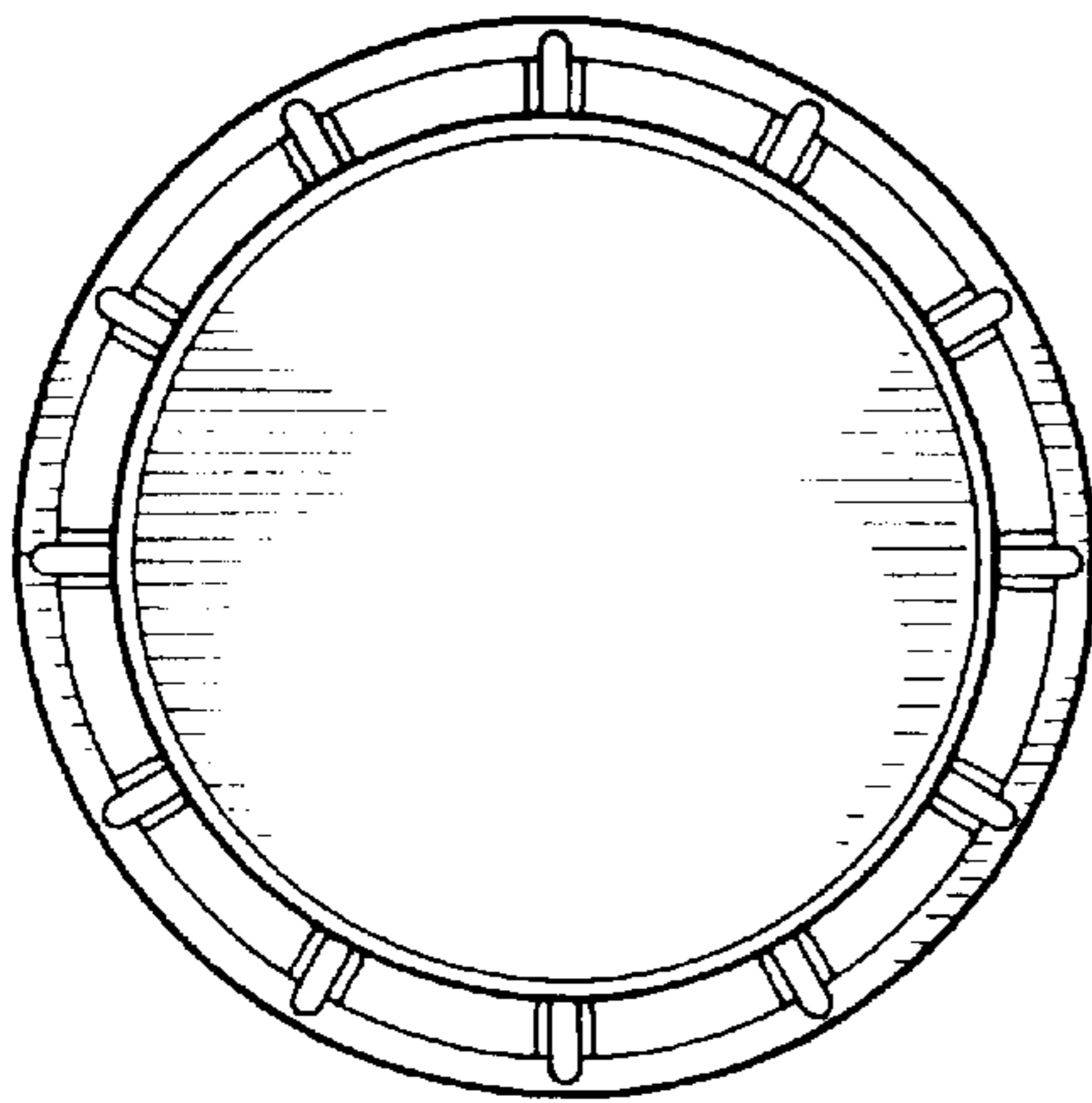


FIG. 5