



US00D415869S

United States Patent [19]

[11] Patent Number: **Des. 415,869**

Roodvoets et al.

[45] Date of Patent: **** Oct. 26, 1999**

[54] **BULK CONTAINER FRAME**

[75] Inventors: **Mark Roodvoets**, Inman; **Scott Rosenberger**, Spartanburg; **Larry Wyatt**, Cowpens, all of S.C.

[73] Assignee: **Spartanburg Stainless Products, Inc.**, Spartanburg, S.C.

[**] Term: **14 Years**

[21] Appl. No.: **29/088,156**

[22] Filed: **May 15, 1998**

[51] **LOC (6) Cl.** **09-08**

[52] **U.S. Cl.** **D34/38**

[58] **Field of Search** D34/28, 38; 20/9.1, 20/9.2; 256/595, 386, 511; 222/105, 181.2; 108/53.1; 220/9.1, 9.2, 571, DIG. 6, 670

[56] **References Cited**

U.S. PATENT DOCUMENTS

4,629,085	12/1986	Gerhard	220/1.5
4,909,387	3/1990	Schutz	206/386
4,927,037	5/1990	Boots	220/1.5
4,947,988	8/1990	Schutz	206/386
4,966,293	10/1990	Pfeiffer et al.	220/1.5
5,050,765	9/1991	Roser et al.	220/401
5,228,821	7/1993	Gleffe et al.	108/53.1
5,275,289	1/1994	Blatt	206/513
5,356,029	10/1994	Hogan	220/571
5,366,090	11/1994	Schutz	206/599
5,501,334	3/1996	Przytulla et al.	206/386
5,622,279	4/1997	Schutz	220/571
5,653,354	8/1997	Olson	220/9.1
5,678,688	10/1997	Schutz	206/386
5,722,552	3/1998	Olson	220/9.2

Primary Examiner—Susan J. Lucas
Assistant Examiner—Cynthia E. Ramirez
Attorney, Agent, or Firm—Emerson & Associates; Roger D. Emerson; Timothy D. Bennett

[57] **CLAIM**

The ornamental design for a bulk container frame, as shown and described.

DESCRIPTION

FIG. 1 is a front perspective view of a bulk container frame of our new design, shown holding a bottle in dashed lines; FIG. 2 is a front elevational view of the bulk container of FIG. 1 without the bottle; FIG. 3 is a right side elevational view of the bulk container of FIG. 1 without the bottle; FIG. 4 is a top plan view of the bulk container of FIG. 1 without the bottle; FIG. 5 is a rear elevational view of the bulk container of FIG. 1 without the bottle; FIG. 6 is a front perspective view of an alternate bulk container frame of our new design, shown holding a bottle in dashed lines; FIG. 7 is a front elevational view of the bulk container of FIG. 6 without the bottle; FIG. 8 is a right side elevational view of the bulk container of FIG. 6 without the bottle; FIG. 9 is a top plan view of the bulk container of FIG. 6 without the bottle; and, FIG. 10 is a rear elevational view of the bulk container of FIG. 6 without the bottle.

The broken line showing of the bottle in FIGS. 1 and 6 is for illustrative purposes only and forms no part of the claimed design.

1 Claim, 10 Drawing Sheets

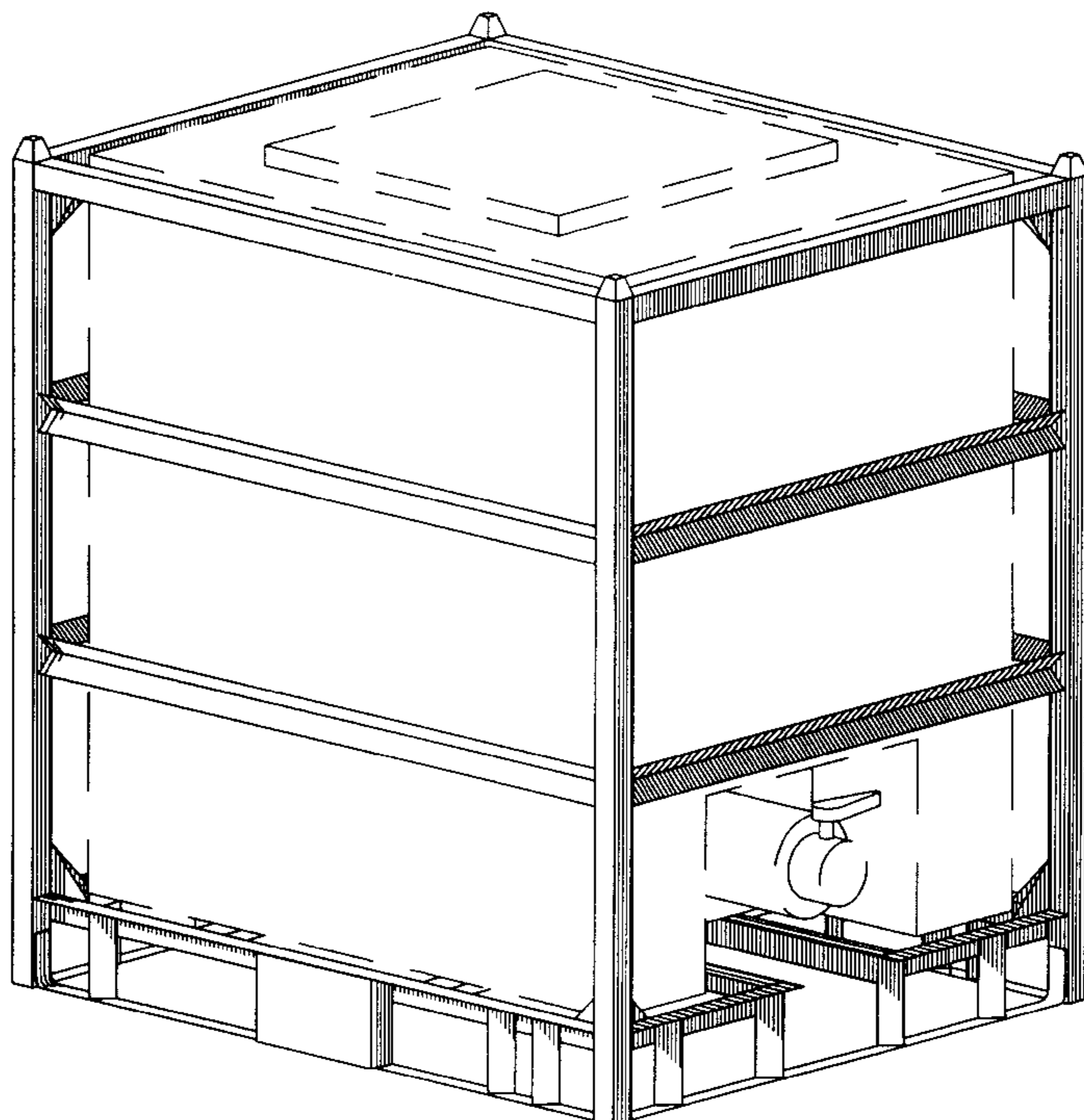


FIG. 1

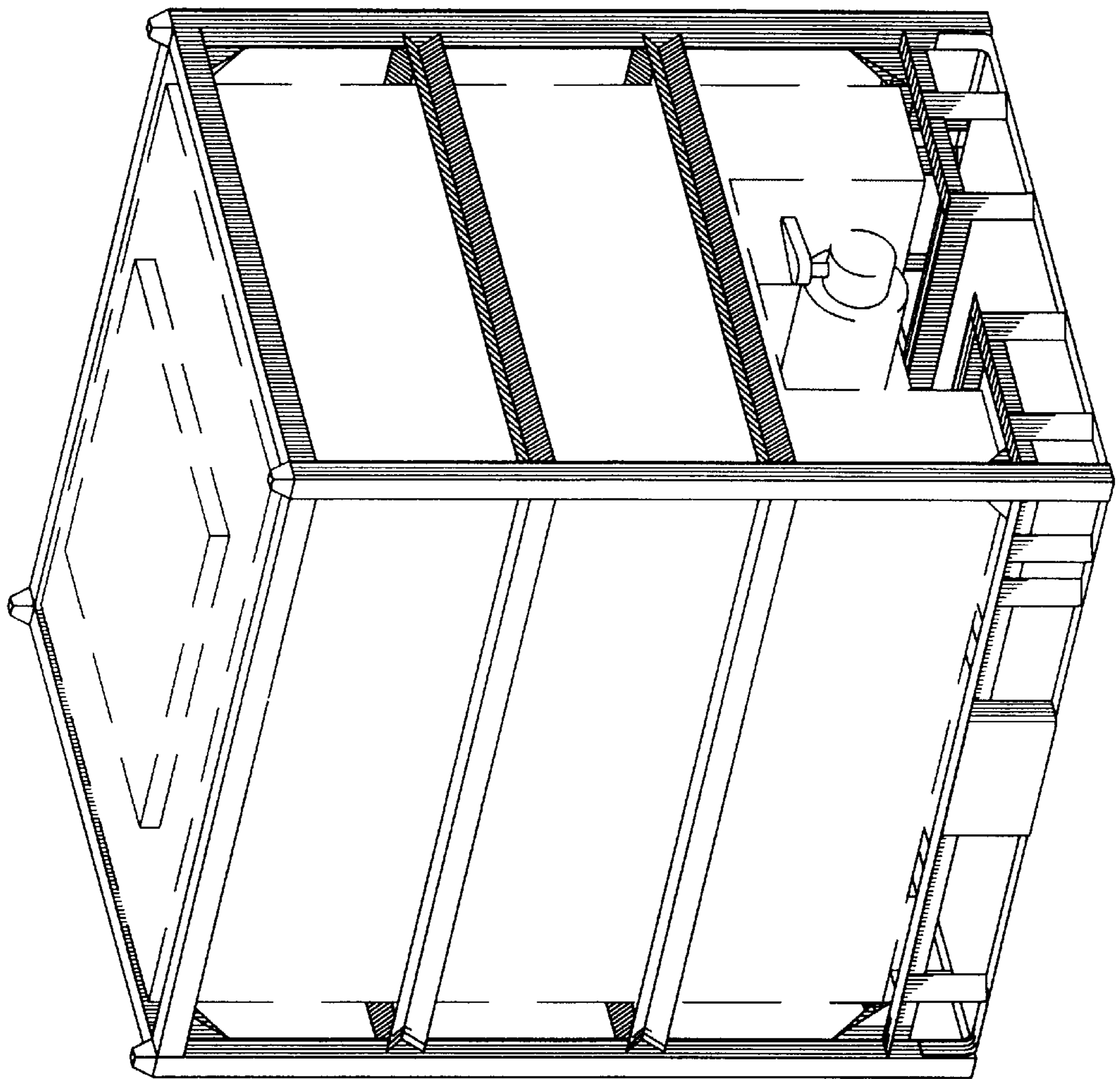


FIG. 2

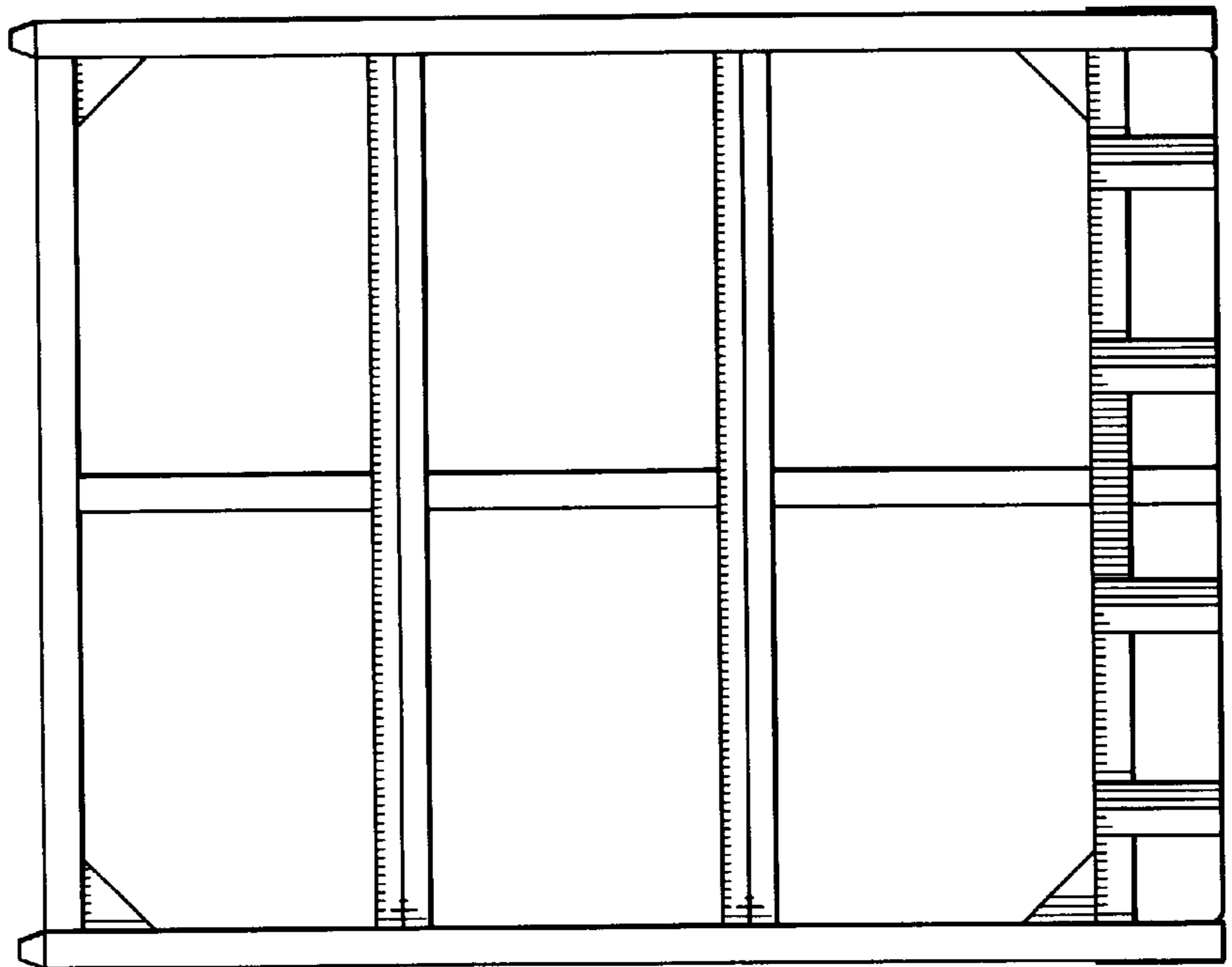


FIG. 3

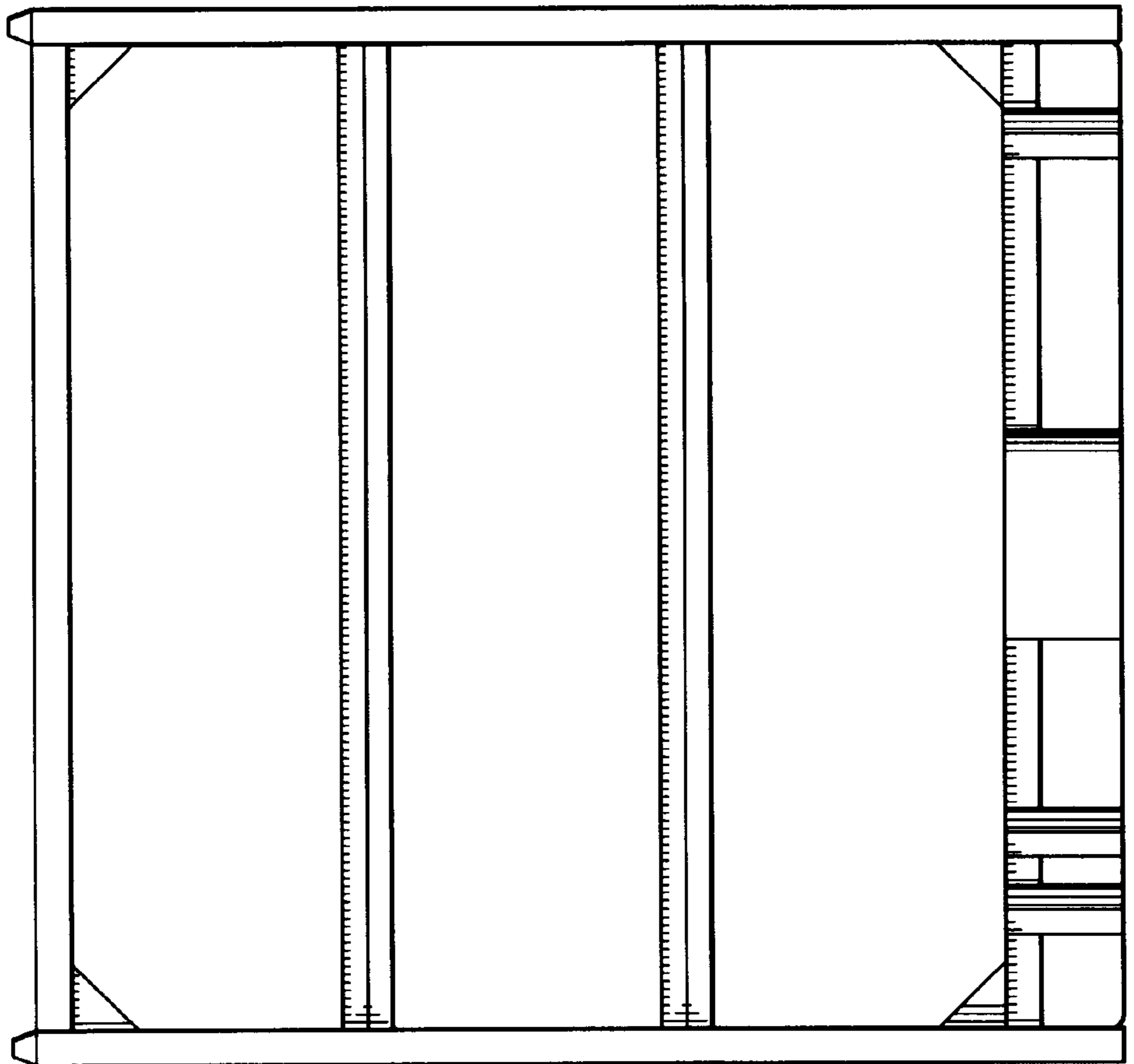


FIG.4

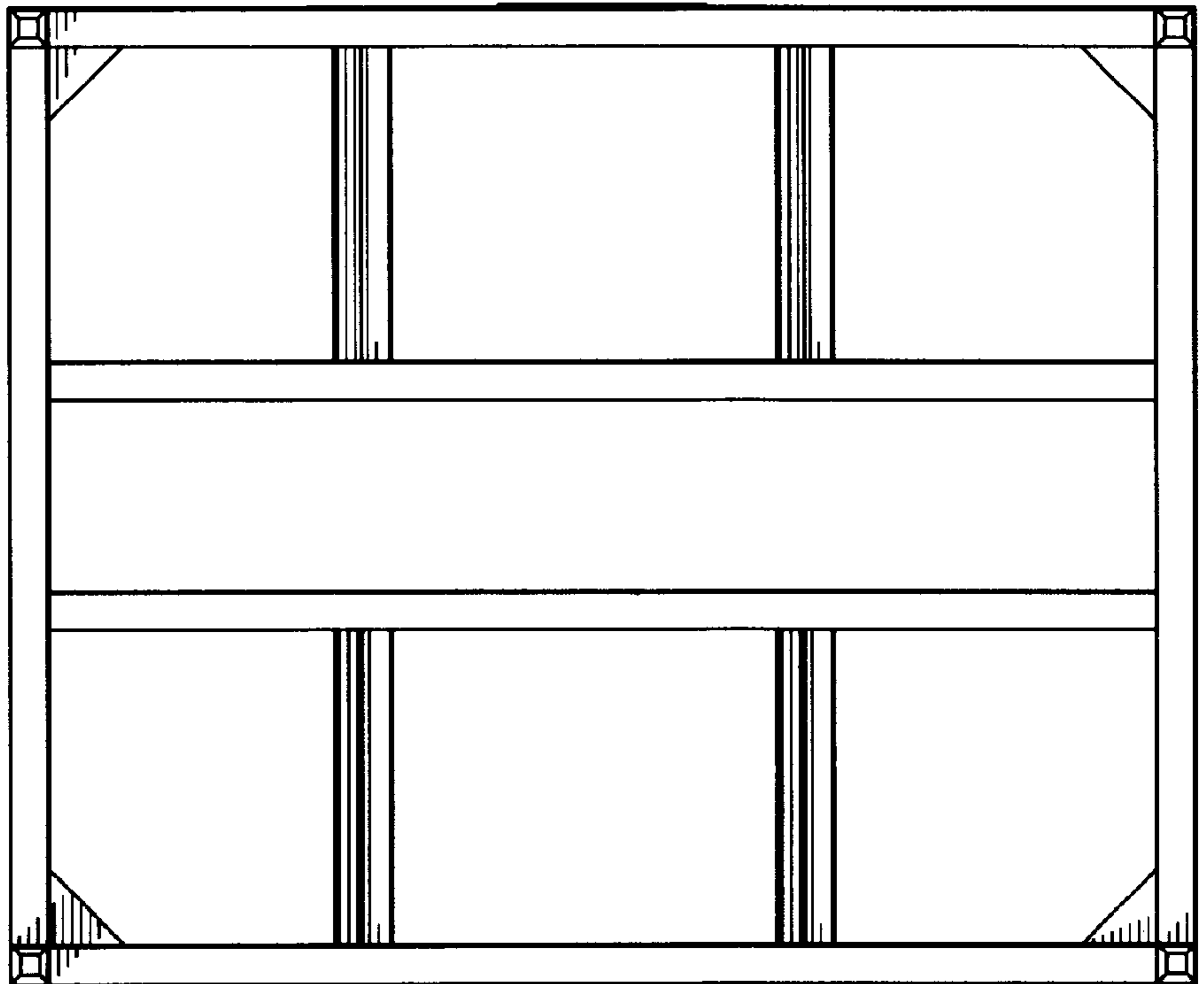


FIG. 5

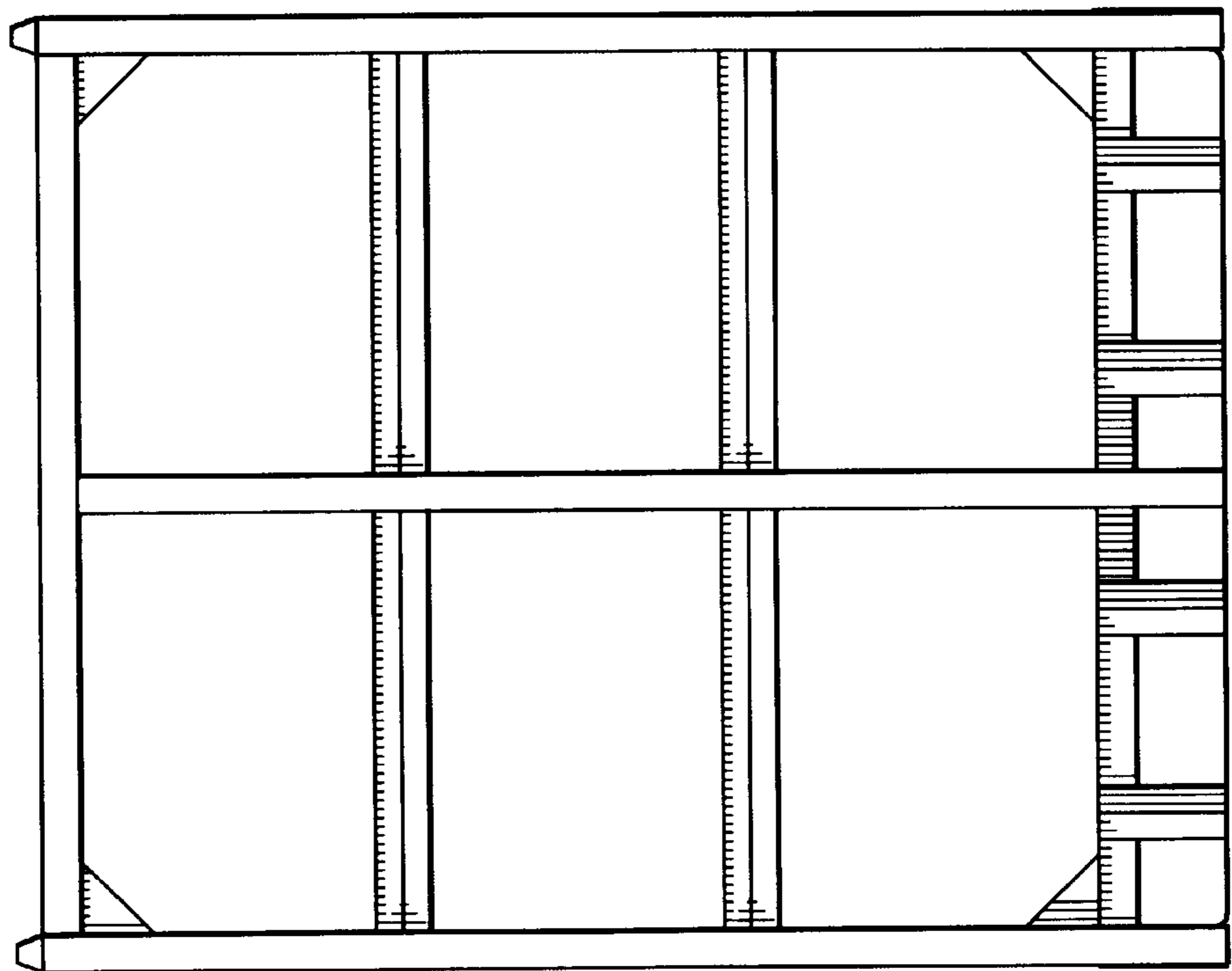


FIG. 6

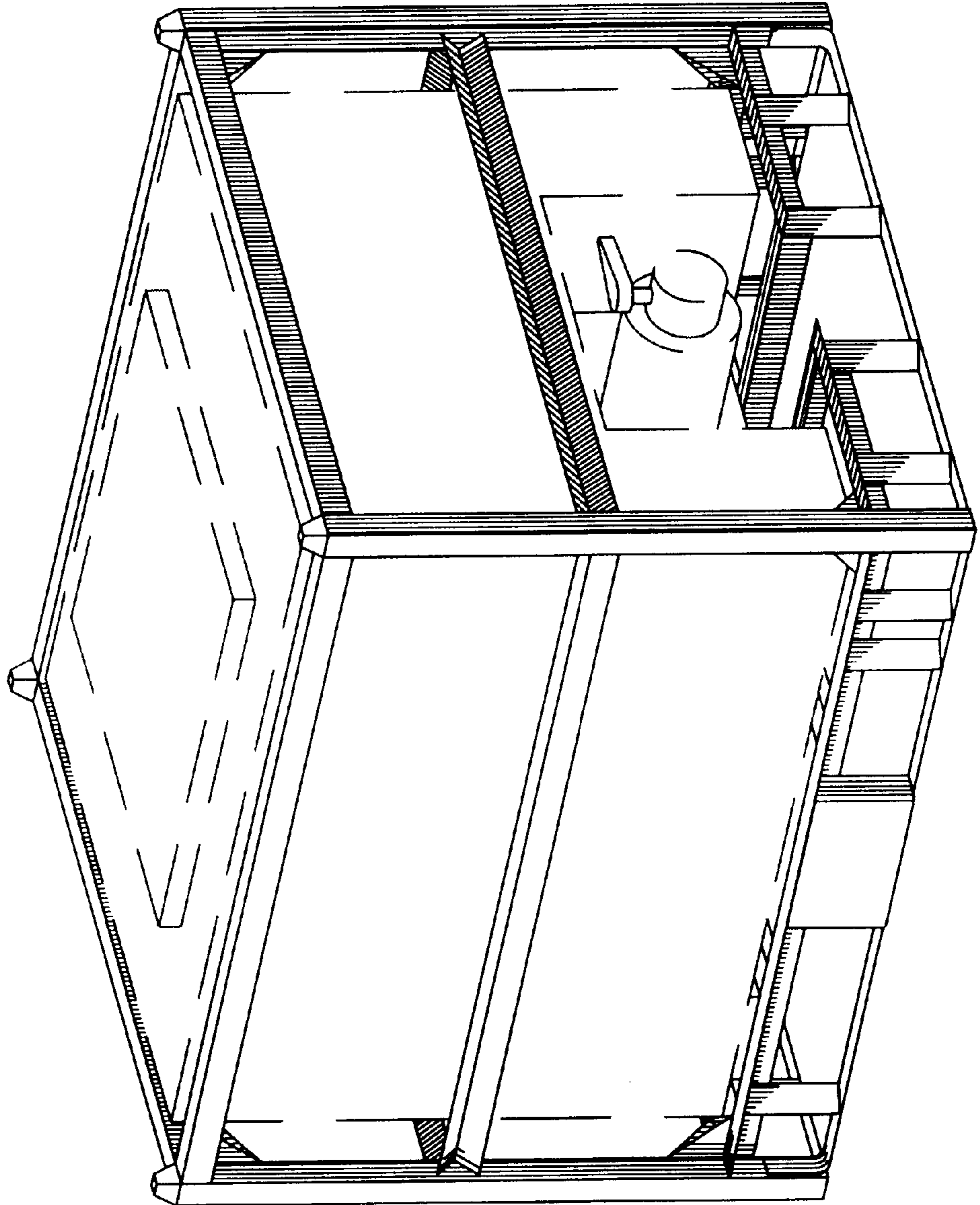


FIG. 7

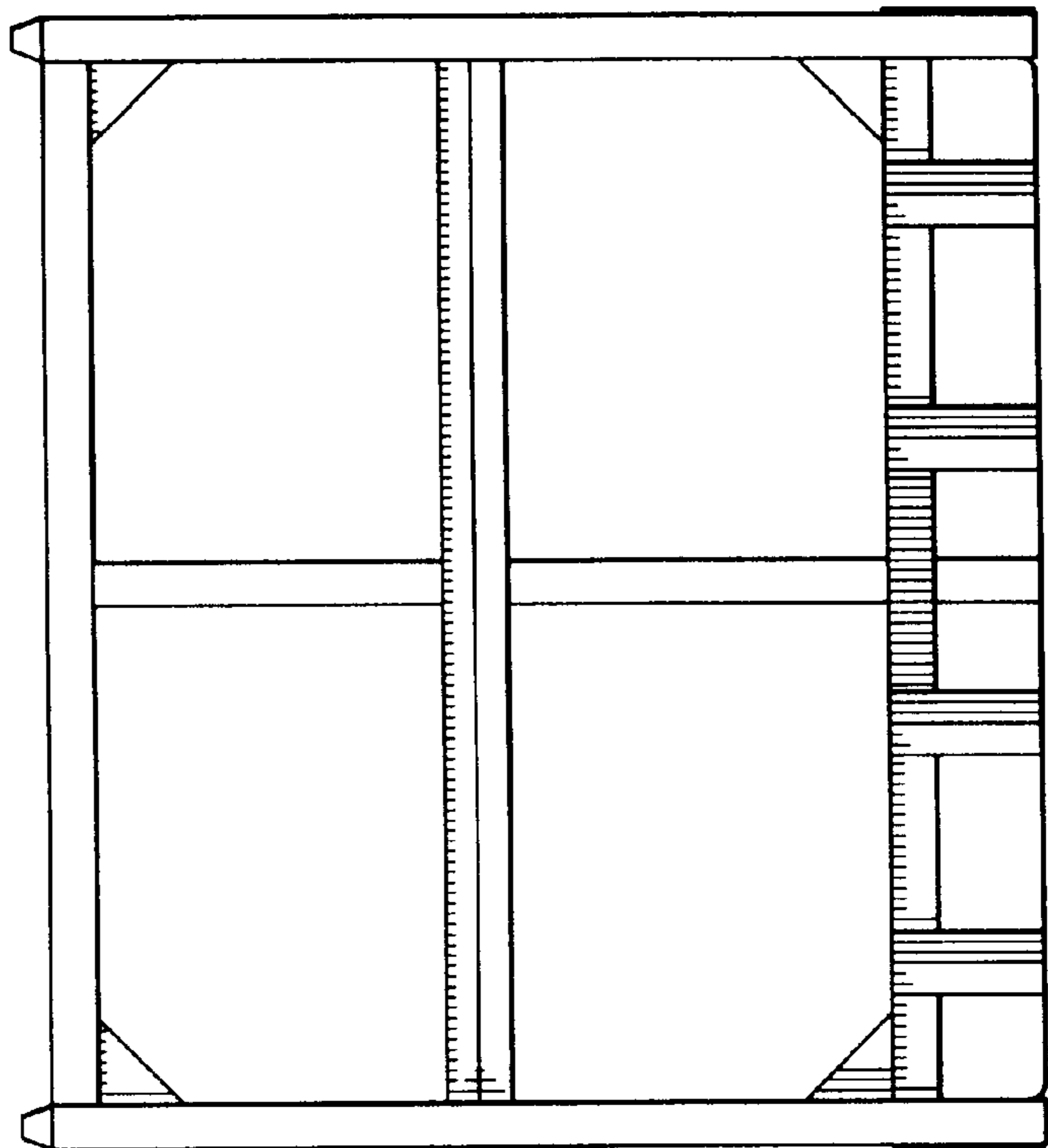


FIG. 8

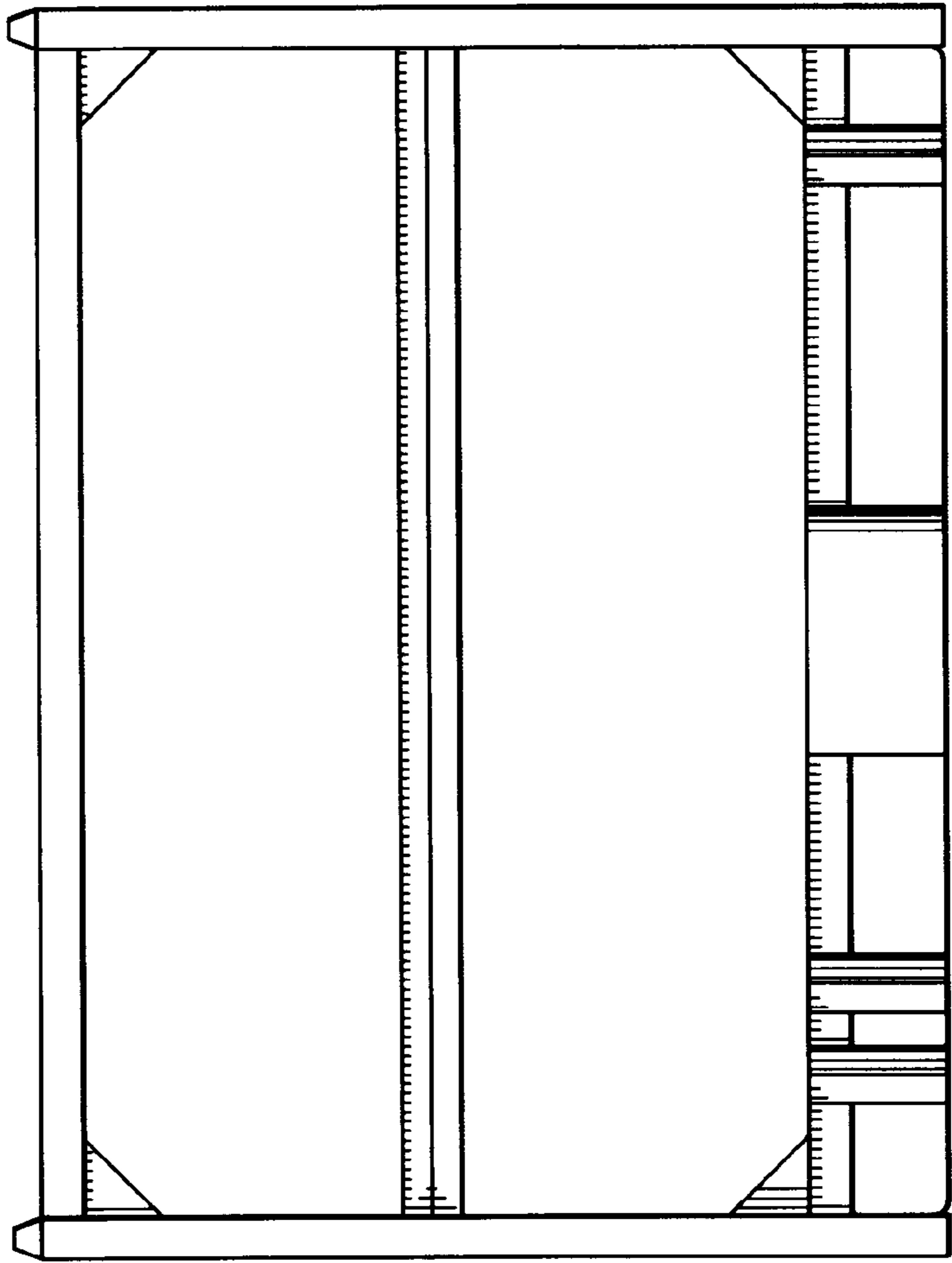


FIG. 9

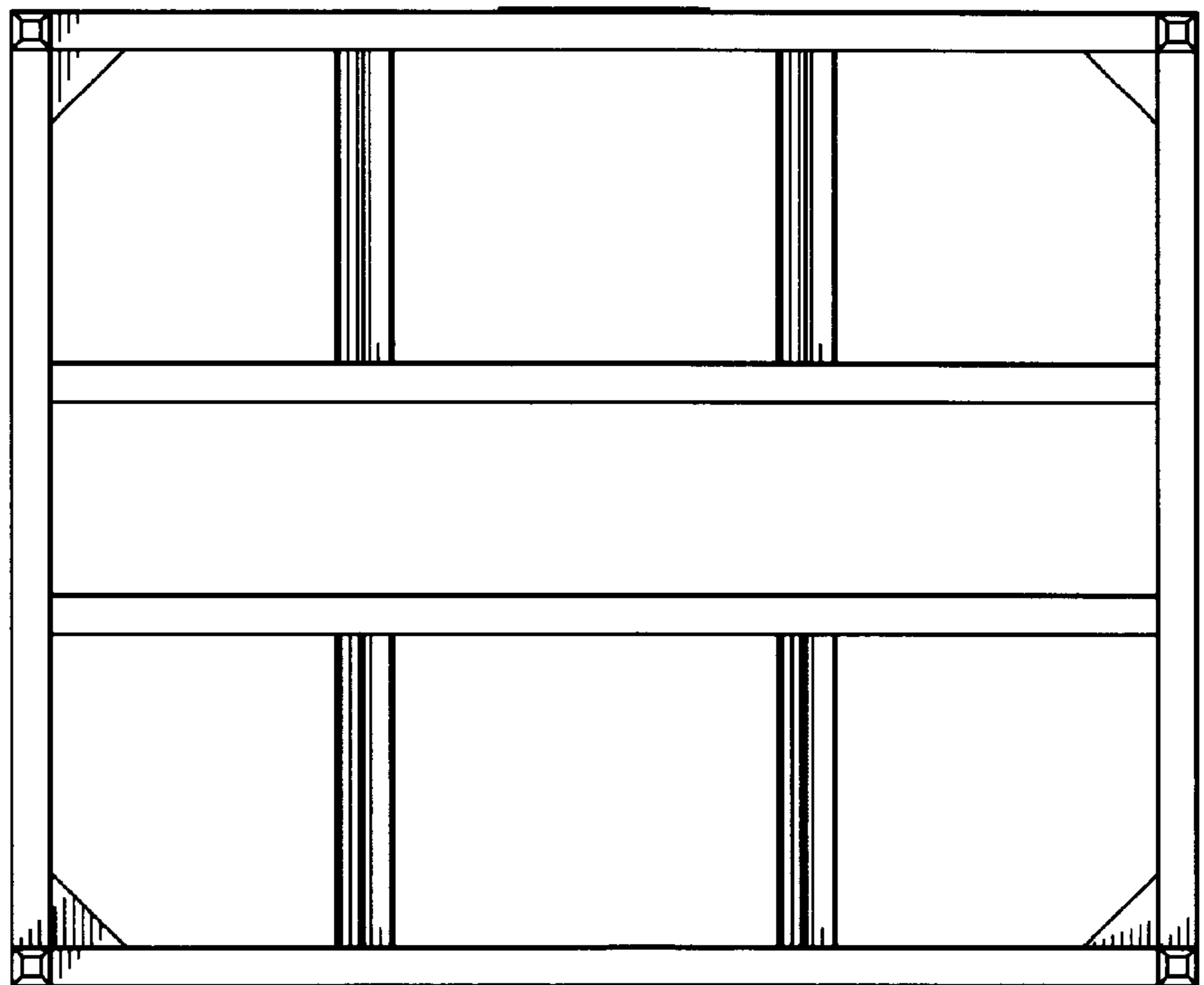


FIG. 10

