



US00D415868S

**United States Patent** [19]  
**Hewitt**

[11] **Patent Number: Des. 415,868**

[45] **Date of Patent: \*\* Oct. 26, 1999**

[54] **MOBILE BASE**

[75] **Inventor: Timothy William Hewitt**, Pleasant Ridge, Mich.

[73] **Assignee: HIC Products Incorporated**, Royal Oak, Mich.

[\*\*] **Term: 14 Years**

[21] **Appl. No.: 29/091,215**

[22] **Filed: Jul. 23, 1998**

[51] **LOC (6) Cl. .... 12-02**

[52] **U.S. Cl. .... D34/23; D34/27**

[58] **Field of Search .... D34/12-27; 280/79.11, 280/79.3, 35, 639**

[56] **References Cited**

**U.S. PATENT DOCUMENTS**

- D. 348,132 6/1994 McCoy et al. .... D34/23
- D. 371,450 7/1996 Hodges .... D34/23

- 2,763,491 9/1956 Thorwaldson ..... 280/35
- 2,961,250 11/1960 Beach ..... 280/35
- 5,299,817 4/1994 Chang ..... 280/35

**OTHER PUBLICATIONS**

*Woods Magazine*, Dec. 1998.

*Primary Examiner*—Kay H. Chin  
*Attorney, Agent, or Firm*—Howard & Howard

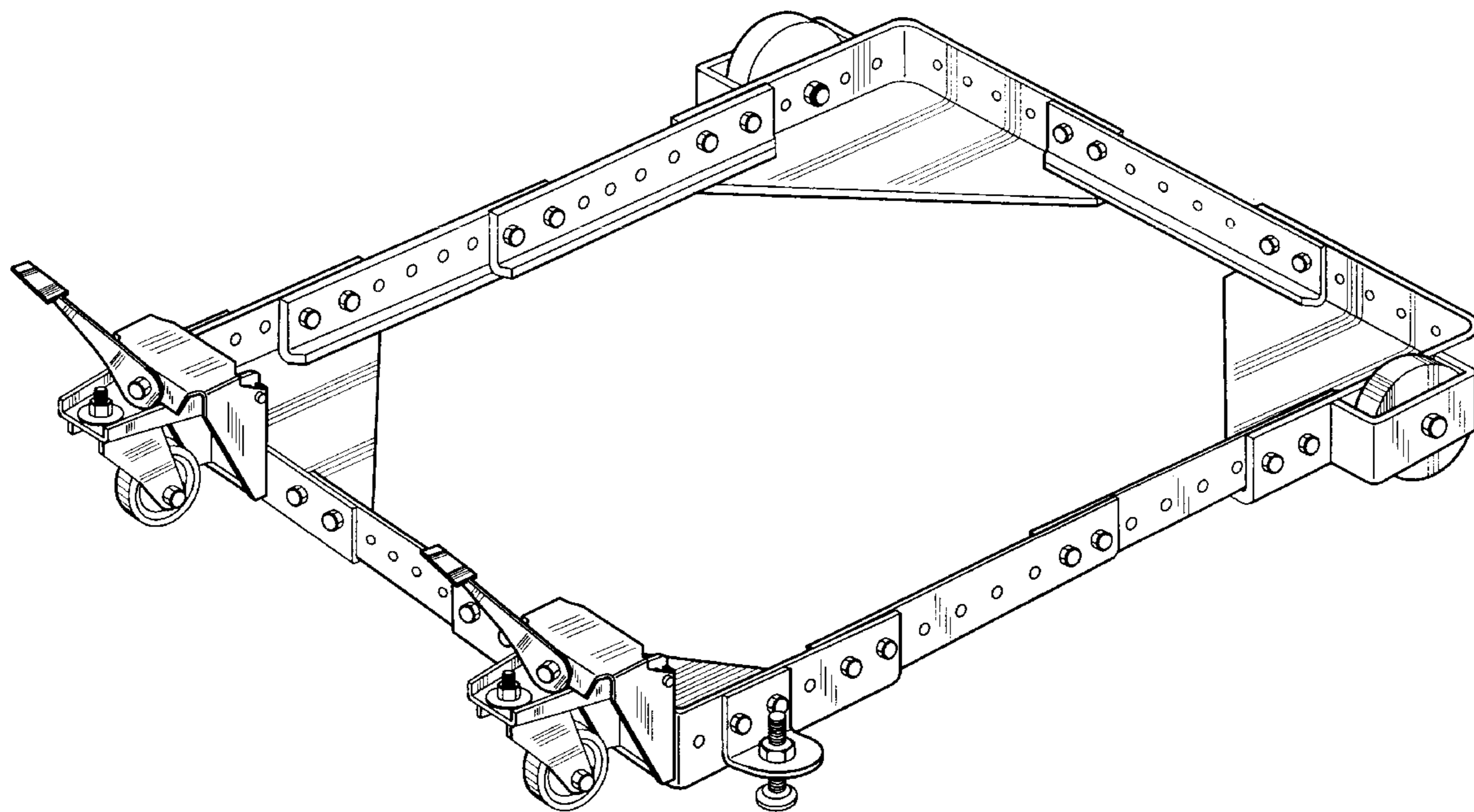
[57] **CLAIM**

I claim the ornamental design for the mobile base, as shown.

**DESCRIPTION**

FIG. 1 is a perspective view of the mobile base;  
FIG. 2 is a top view of the mobile base;  
FIG. 3 is a side view of the mobile base;  
FIG. 4 is an end view of the mobile base;  
FIG. 5 is an end view of the mobile base viewed from the end opposite that shown in FIG. 4; and,  
FIG. 6 is a bottom view of the mobile base.

**1 Claim, 4 Drawing Sheets**



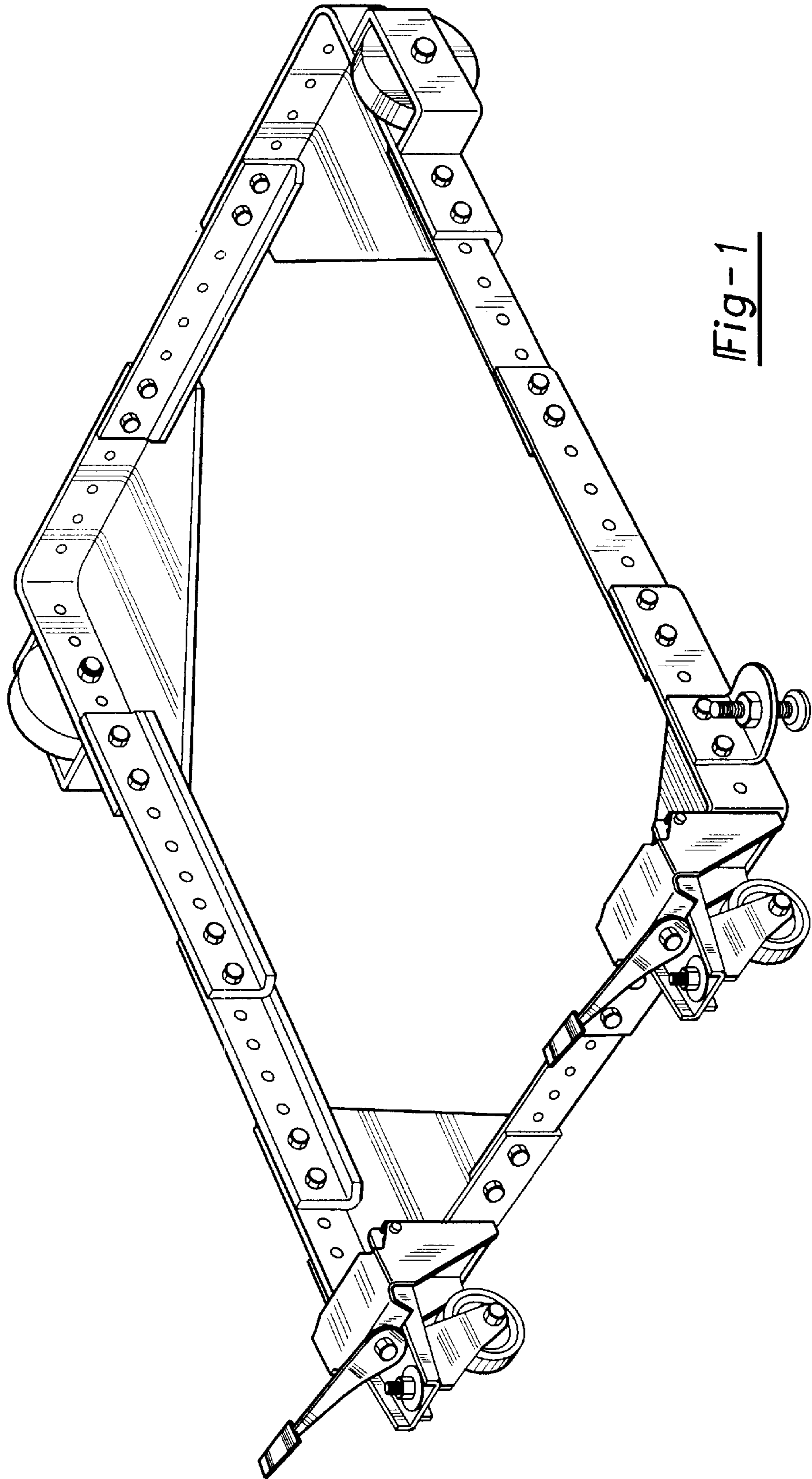


Fig-1

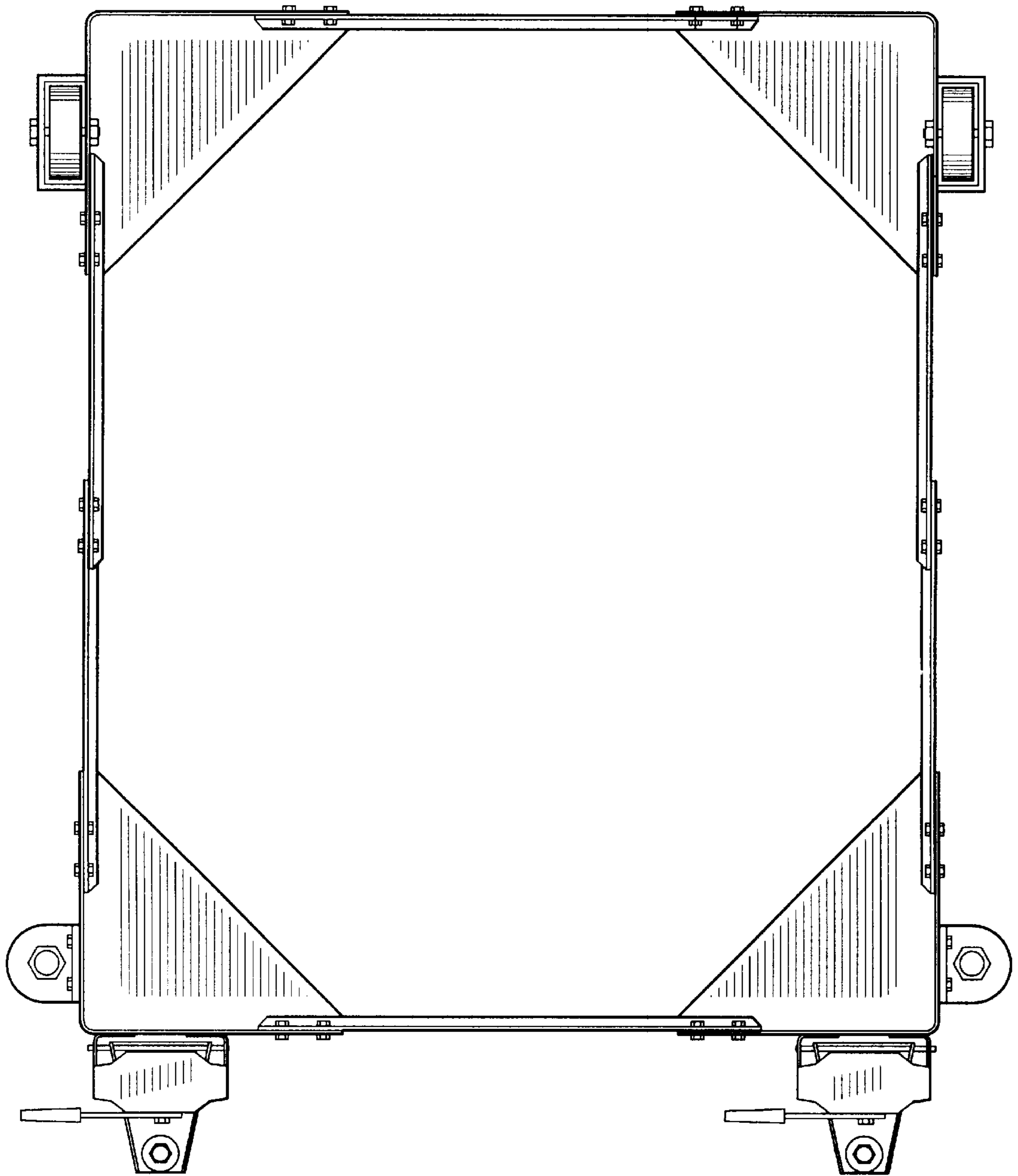


Fig-2

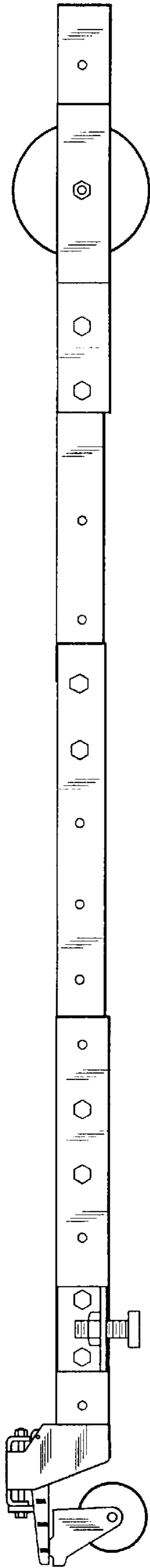


Fig-3

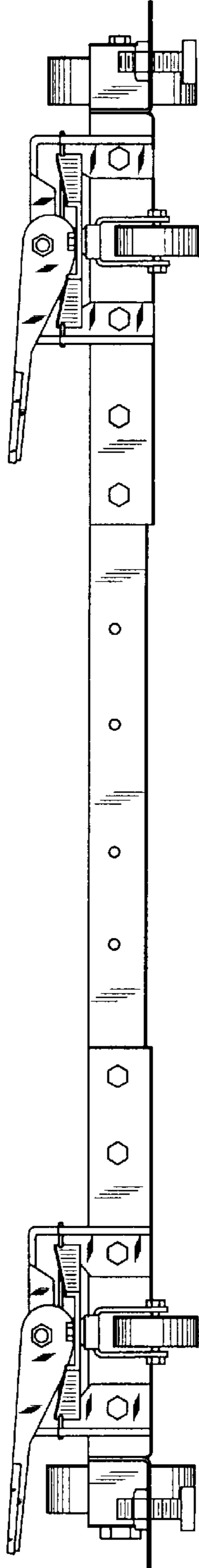


Fig-4

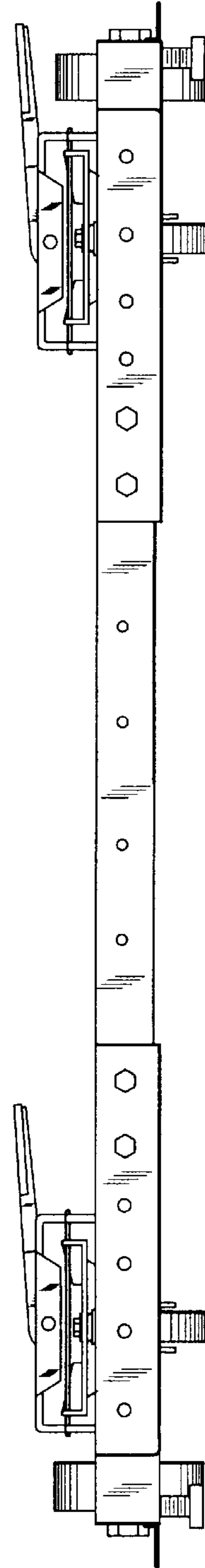


Fig-5

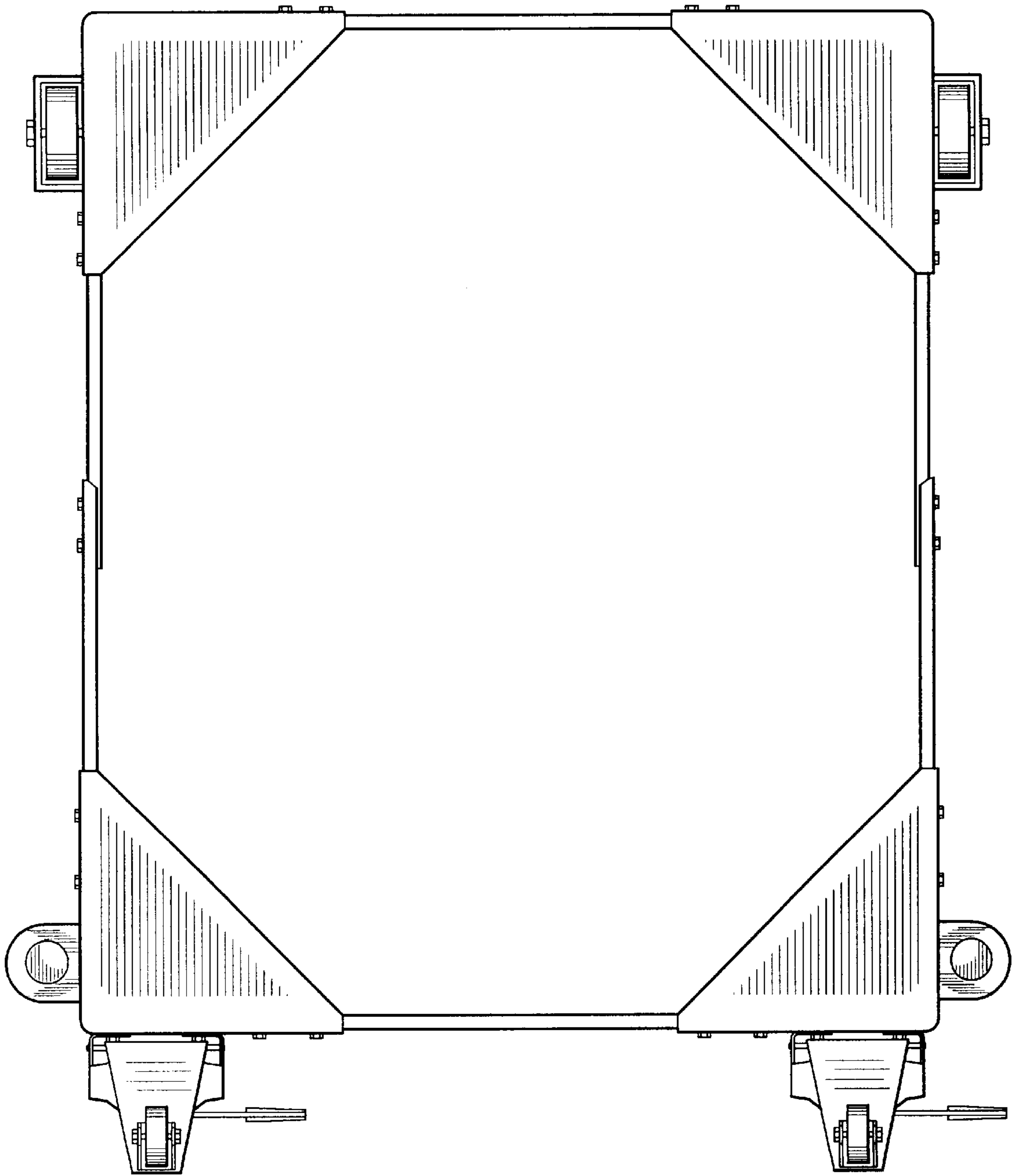


Fig-6