



US00D415867S

# United States Patent [19] Perelli

[11] Patent Number: Des. 415,867

[45] Date of Patent: \*\* Oct. 26, 1999

[54] CART

[75] Inventor: Thomas Perelli, Winchester, Va.

[73] Assignee: Rubbermaid Commercial Products LLC, Winchester, Va.

[\*\*] Term: 14 Years

[21] Appl. No.: 29/093,976

[22] Filed: Sep. 23, 1998

[51] LOC (6) Cl. .... 12-02

[52] U.S. Cl. .... D34/21; D34/20

[58] Field of Search ..... D6/477, 479; D34/12-27; 280/47.35, 47.34, 79.11, 79.2, 47.26, 47.28

### [56] References Cited

#### U.S. PATENT DOCUMENTS

D. 273,242	3/1984	Maza et al. ....	D34/21
D. 302,064	7/1989	Delmerico .....	D34/20
D. 330,103	10/1992	Andrews, Jr. et al. ....	D34/20
D. 391,032	2/1998	Delmerico .....	D34/21
4,350,366	9/1982	Helms .....	280/655
4,743,040	5/1988	Breveglieri et al. ....	280/47.35
4,869,518	9/1989	Breveglierij et al. ....	280/47.35

#### OTHER PUBLICATIONS

Catalog page, Carts; Jani-Jack Limited, Coat Road, Martock, Somerset TA12 6EY, England. Publication date Oct., 1995.

Catalog page, Carts; Henkel KGaA/R GV, Verkauf RT/Floordress, Postfach 1100, 4000 Dusseldorf, Germany. Published at least as early as Jun. 1998.

Catalog page, Carts; Numatic International Limited, Chard, Somerset, TA20 2LW, England. Publication date 1994.

Catalog page, Carts; Tecno Trolley System, address unknown. Published at least as early as Jun., 1998.

P. 22, Cart; Company name and address unknown. Published at least as early as Jun., 1998.

Catalog page, Carts; Falpi s.r.l., Via Diagonale, 120, 13064 Ponzzone Trivero (BI) Italy. Published at least as early as Jun., 1998.

P. 4, Carts; Geerpres, P.O. Box 548, Muskegon, Michigan 49443. Published at least as early as Jun., 1998.

Pp. 20 and 21, Carts; Continental Manufacturing Co., 123 Byassee Dr., Hazelwood, Missouri 63042. Published at least as early as Jun., 1998.

Catalog page, Carts; Nilfisk, address unknown. Published at least as early as Jun., 1998.

P. 26, Carts; Filmop s.n.c., 35010 Villa Del Conte (Padova), Italy. Published at least as early as Jun., 1998.

P. 9, Carts; Jani-Jack Limited, Coat Road, Martock, Somerset, England TA12 6EY. Published at least as early as Jun., 1998.

Catalog page, Carts; Jani-Jack Limited, Coat Road, Martock, Somerset, England TA12 6EY. Published at least as early as Jun., 1998.

P. 4, Carts; Vermop Salmon GmbH, D-6980 Werthiem, Germany. Published at least as early as Jun., 1998.

Primary Examiner—Kay H. Chin

Attorney, Agent, or Firm—Richard B. O'Planick

### [57] CLAIM

The ornamental design for a cart, as shown and described.

#### DESCRIPTION

FIG. 1 is a top right front perspective view of a cart, showing my new design;

FIG. 2 is a left side elevational view thereof;

FIG. 3 is a the right side elevational view thereof;

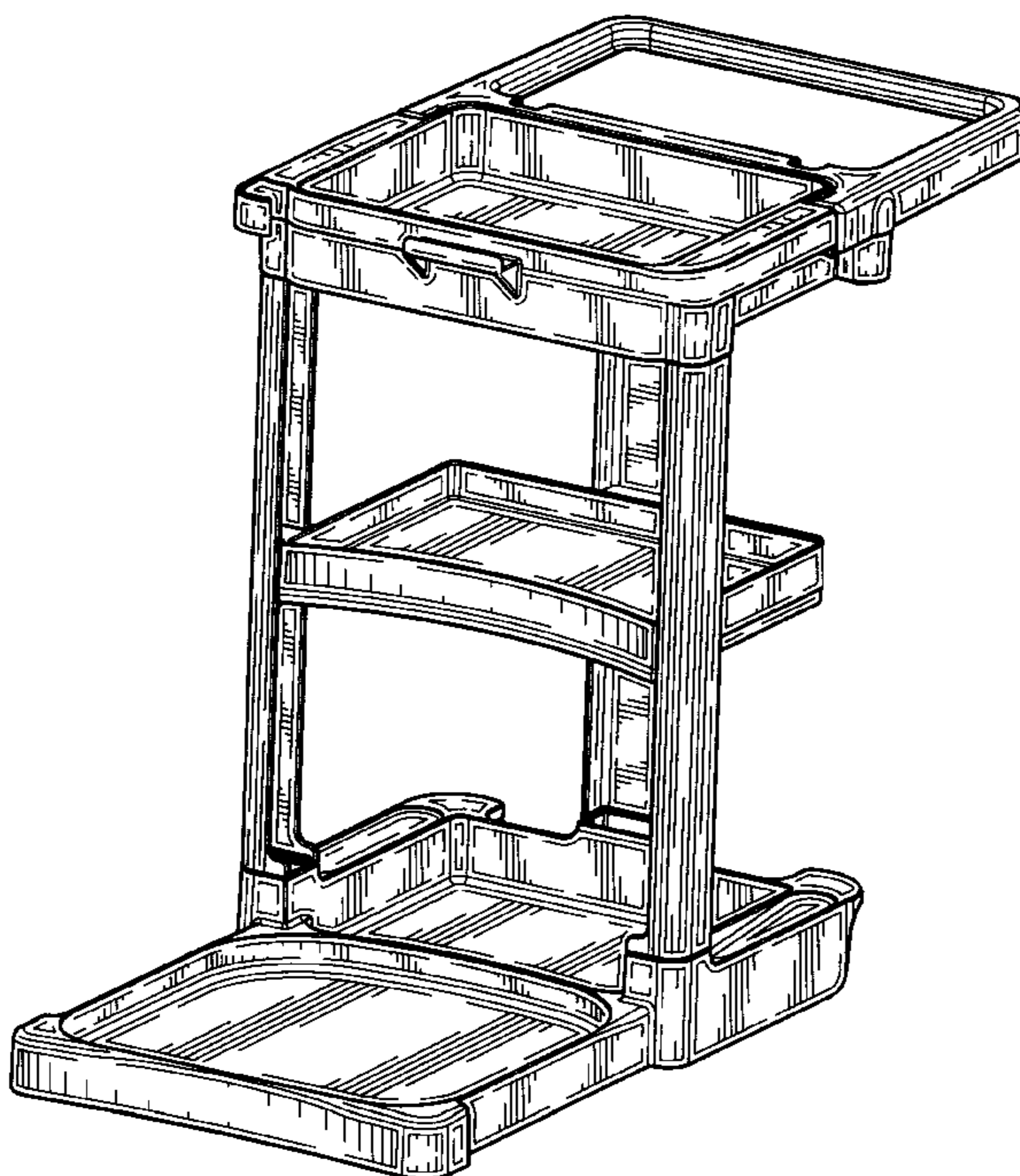
FIG. 4 is a front elevational view thereof;

FIG. 5 is a top plan view thereof;

FIG. 6 is a rear elevational view thereof; and,

FIG. 7 is a bottom plan view thereof.

1 Claim, 7 Drawing Sheets



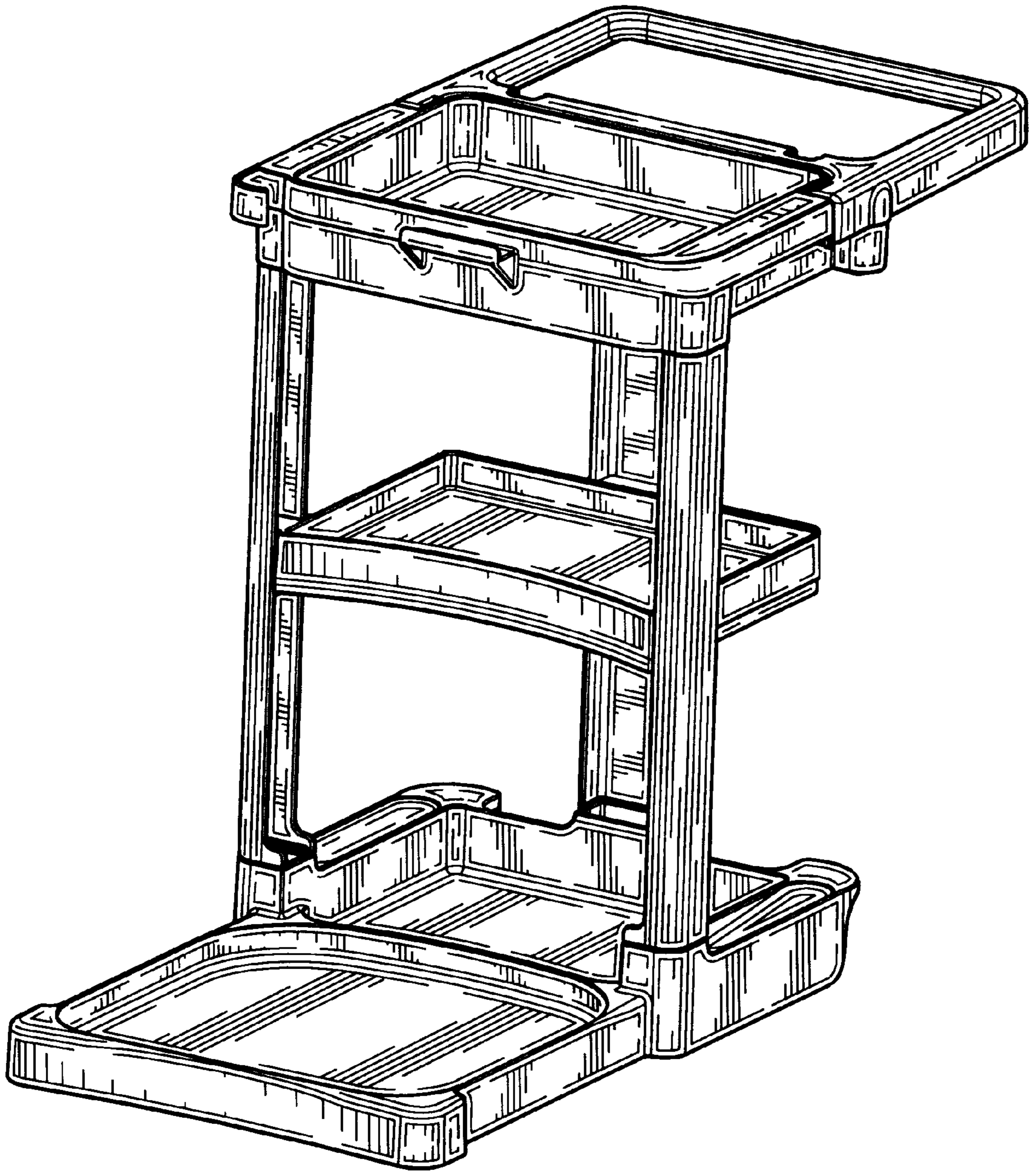


FIG. 1

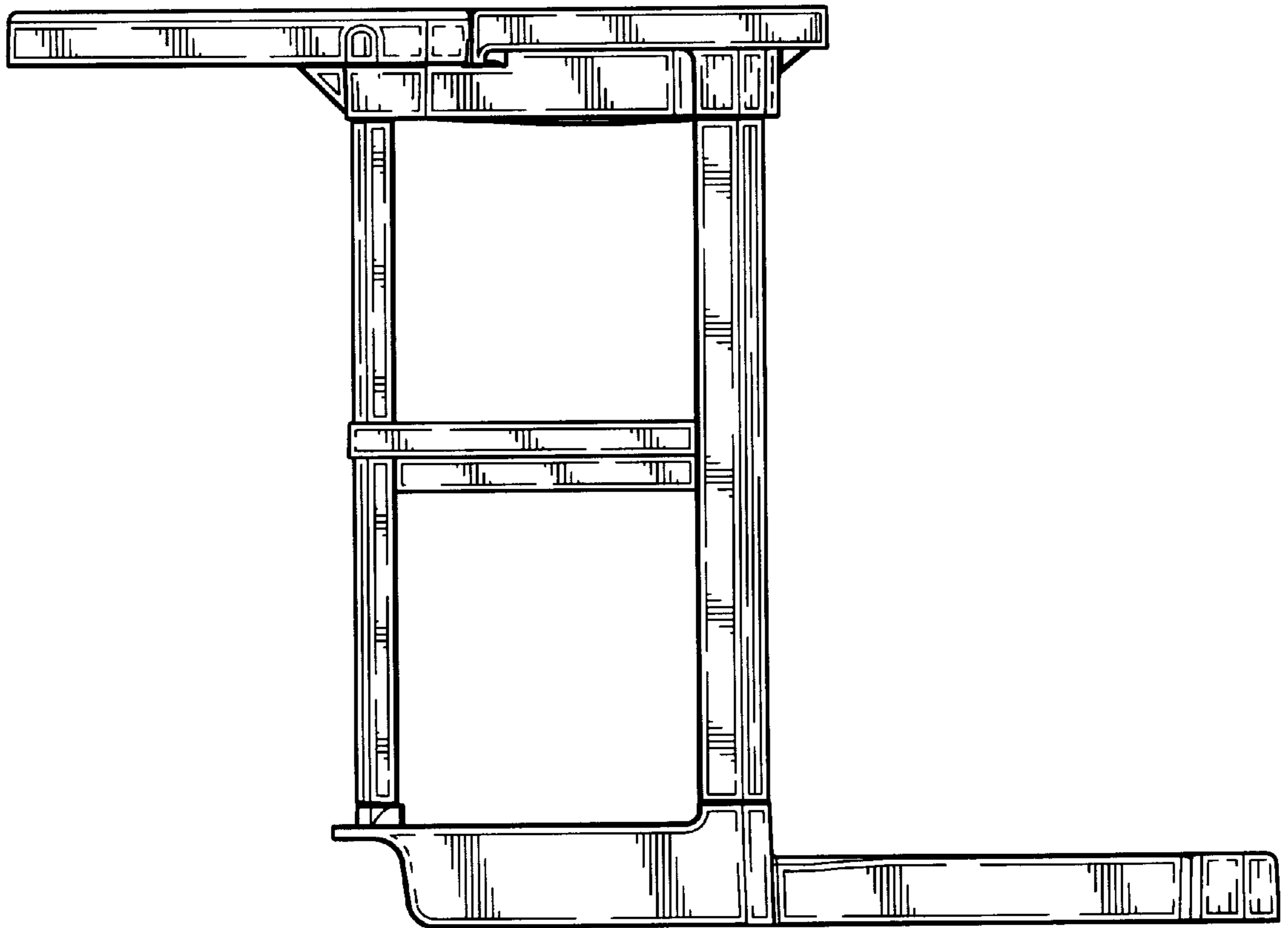


FIG. 2

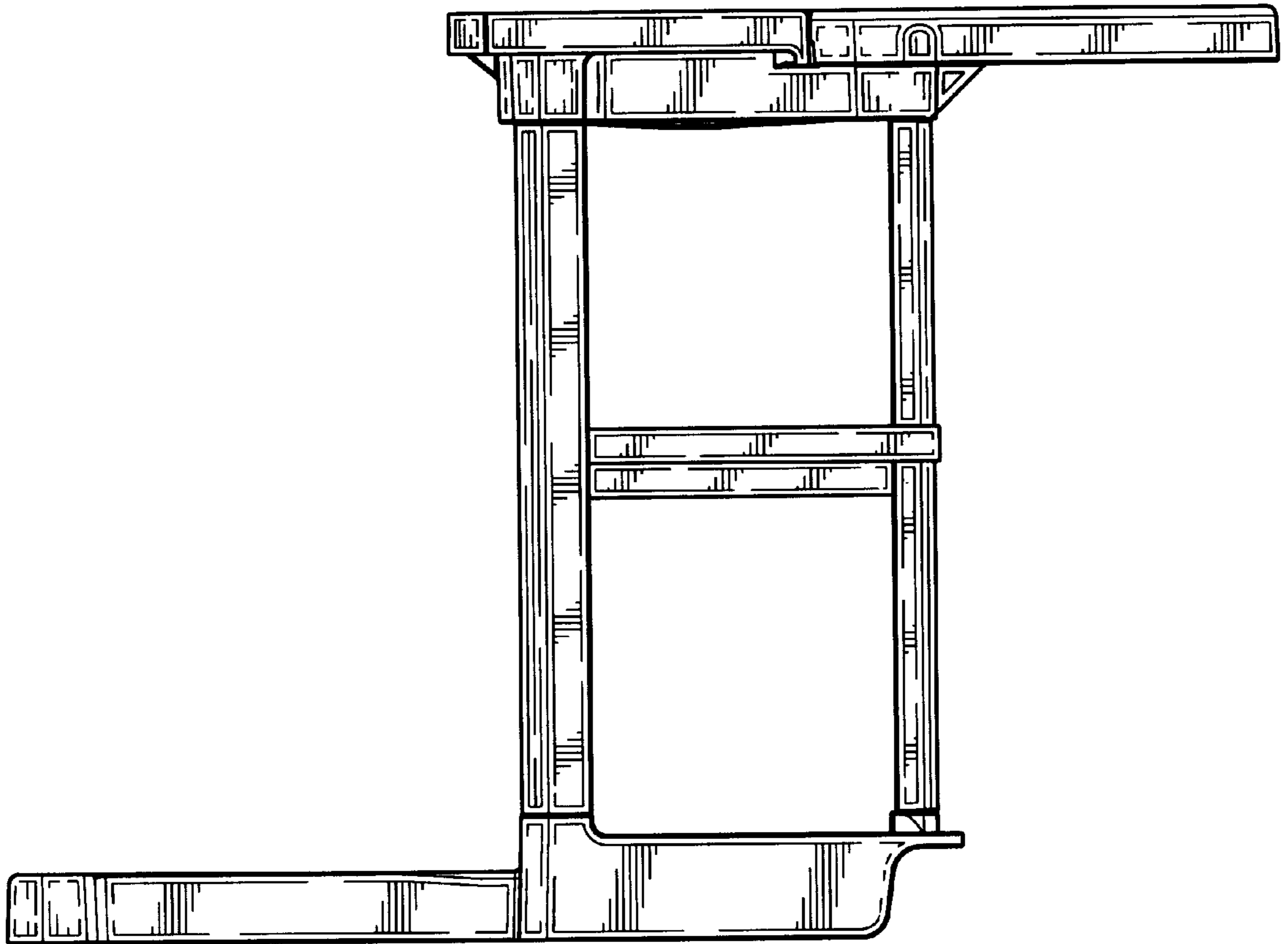


FIG. 3

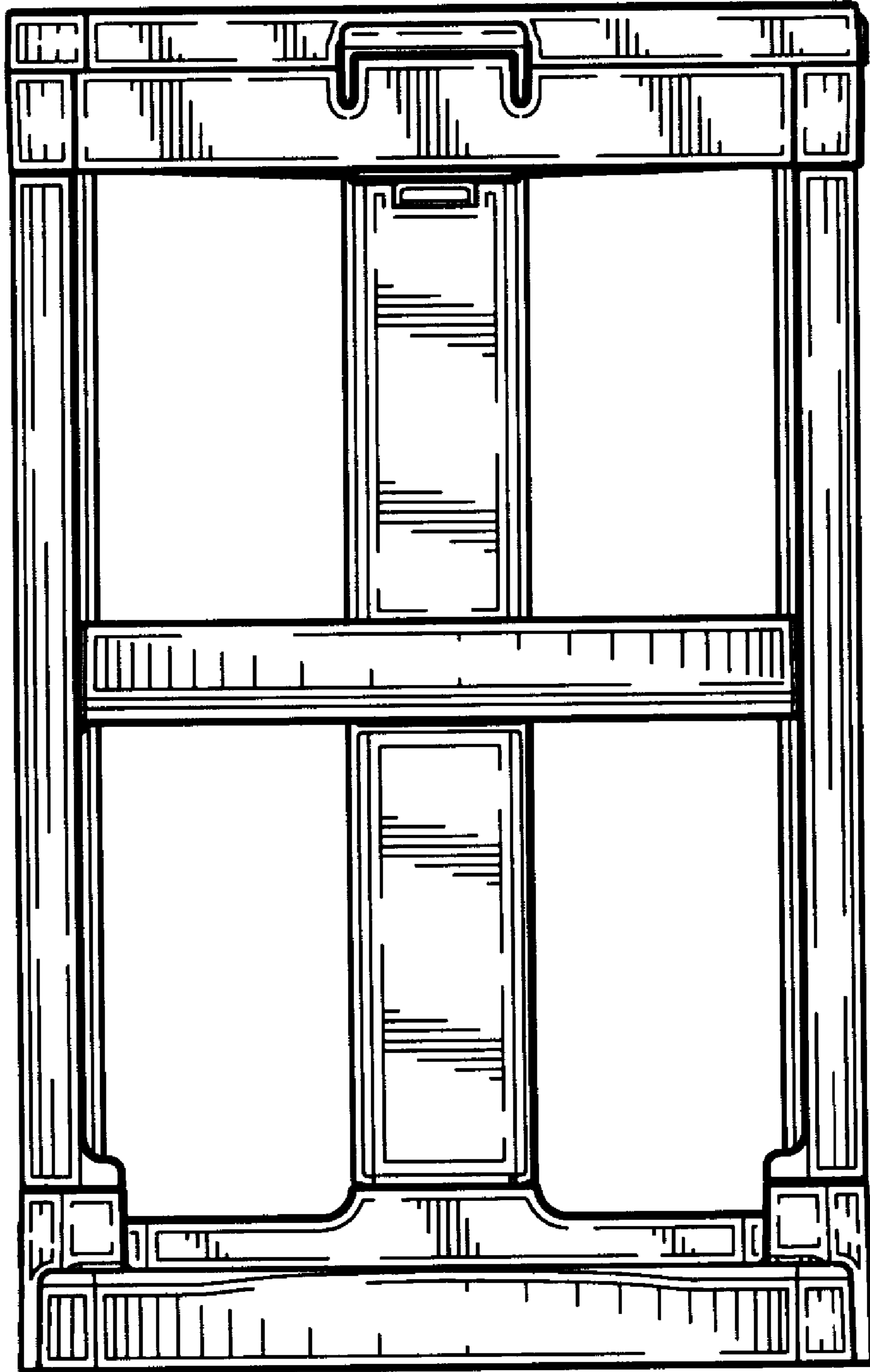


FIG. 4

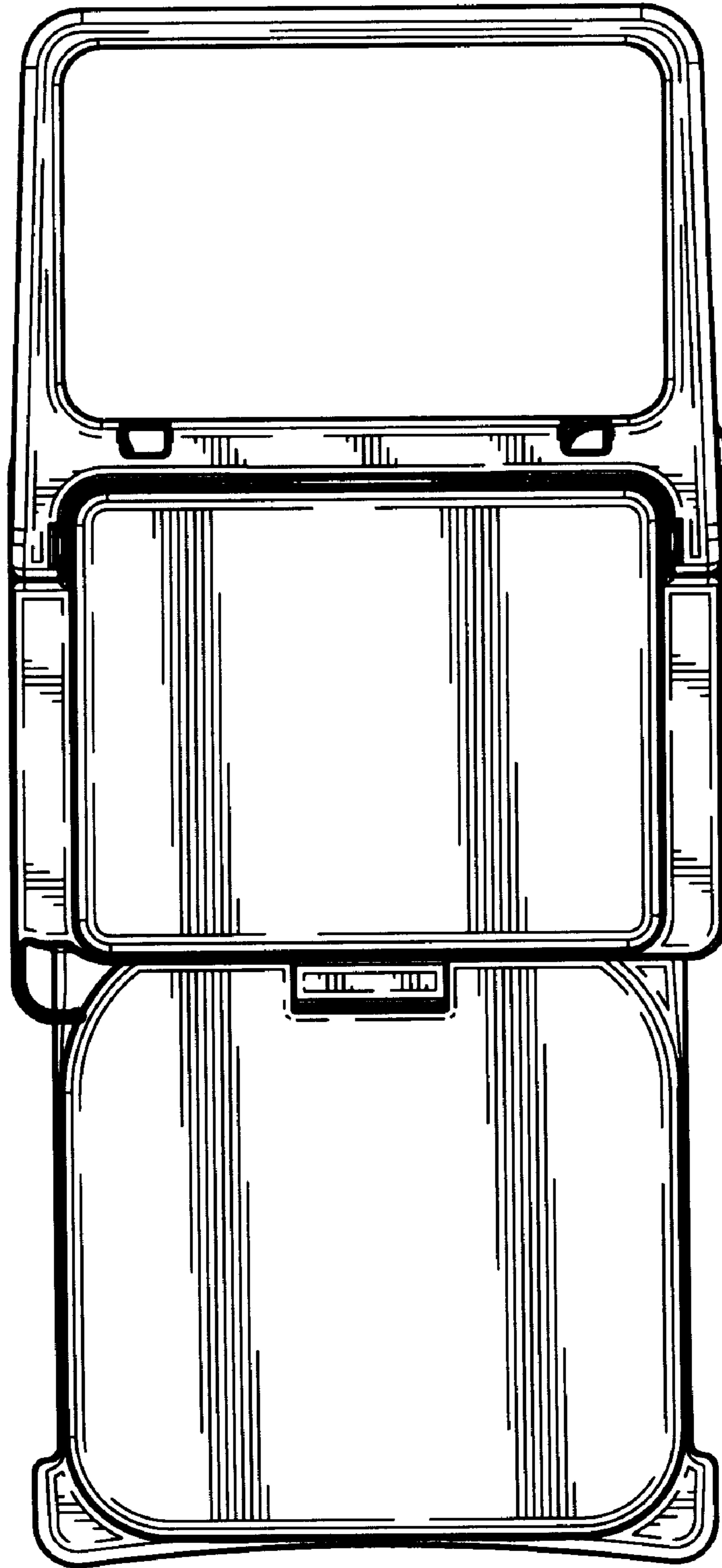


FIG. 5

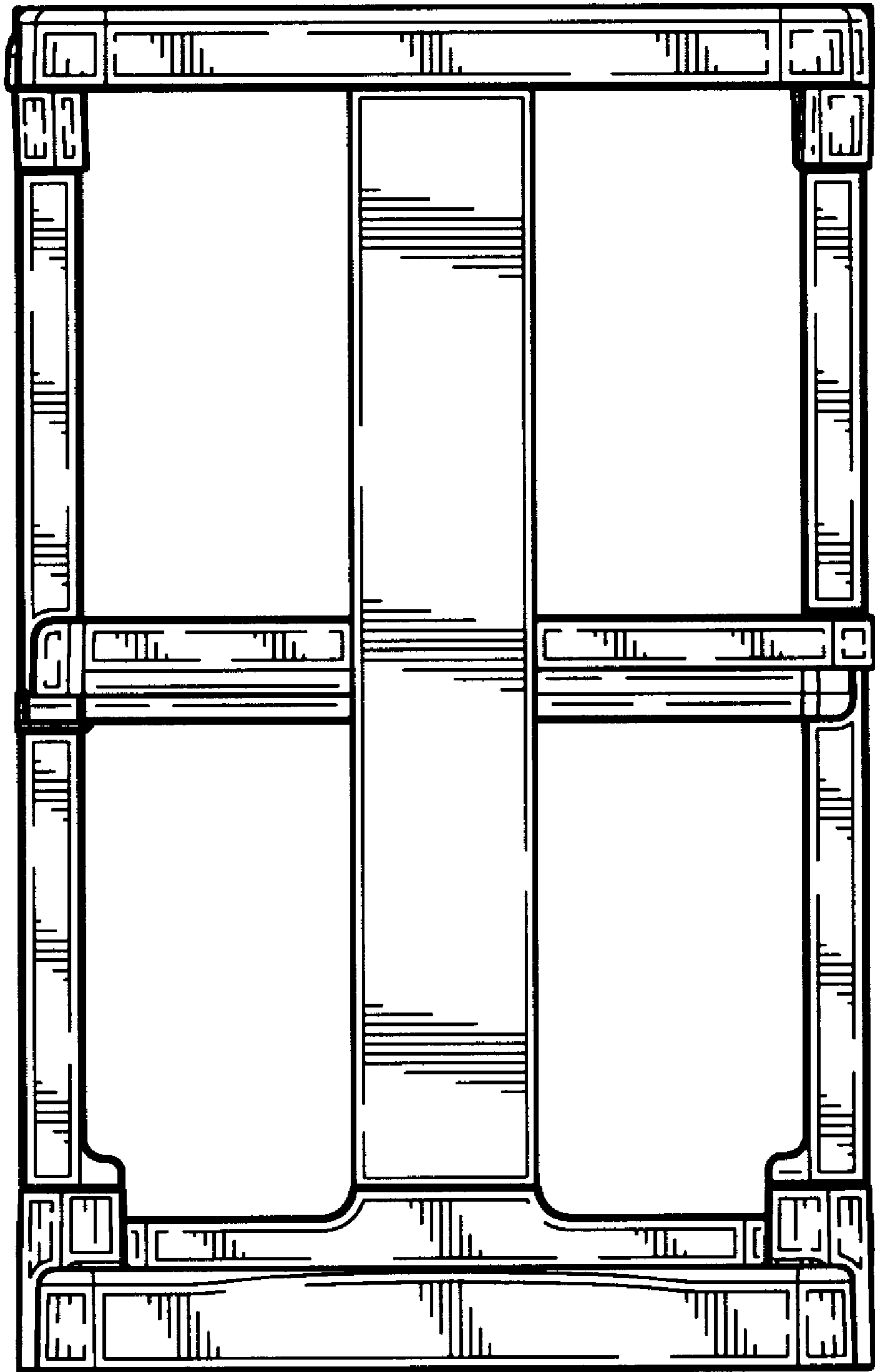


FIG. 6

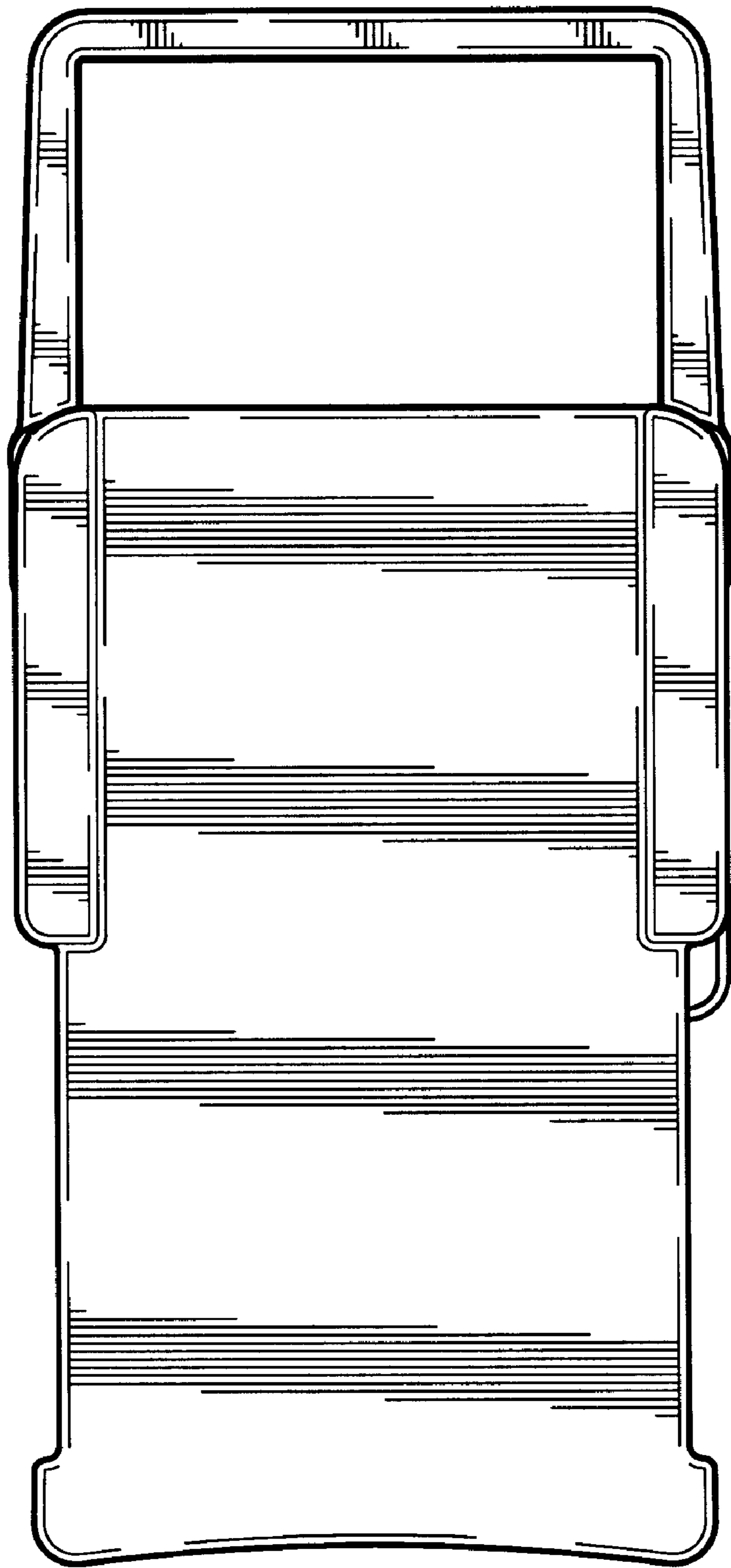


FIG. 7