



US00D415865S

# United States Patent [19]

Littmann et al.

[11] Patent Number: **Des. 415,865**

[45] Date of Patent: **\*\* Oct. 26, 1999**

[54] **IRON**

[75] Inventors: **Ludwig Littmann, Kronberg; Jürgen Greubel, Heidenrod, both of Germany**

[73] Assignee: **Braun Aktiengesellschaft, Frankfurt, Germany**

[\*\*] Term: **14 Years**

[21] Appl. No.: **29/095,543**

[22] Filed: **Oct. 26, 1998**

### [30] Foreign Application Priority Data

Apr. 27, 1998 [DE] Germany ..... 9804216

[51] **LOC (6) Cl.** ..... **07-05**

[52] **U.S. Cl.** ..... **D32/70; D32/68**

[58] **Field of Search** ..... D32/68, 69, 70;  
38/77.1, 77.2, 77.3, 77.4, 77.5, 74, 69,  
79, 77.8, 77.7, 88; 219/245, 254, 273, 275

### [56] References Cited

#### U.S. PATENT DOCUMENTS

D. 294,991 3/1988 Johnson et al. .... D32/70

D. 369,005 4/1996 Stiotzer et al. .... D32/70

- D. 374,956 10/1996 Hsu ..... D32/70
- D. 388,920 1/1998 Nitsch ..... D32/70
- D. 391,721 3/1998 Kondo et al. .... D32/70
- D. 401,706 11/1998 Gudefin ..... D32/70
- D. 406,933 3/1999 Leverrier ..... D32/70

*Primary Examiner*—Susan J. Lucas  
*Assistant Examiner*—Cynthia E. Ramirez  
*Attorney, Agent, or Firm*—Fish & Richardson P.C.

### [57] CLAIM

The ornamental design for an iron, as shown and described.

### DESCRIPTION

FIG. 1 is a front, top perspective view for an iron showing our new design;

FIG. 2 is a front view of the appliance of FIG. 1;

FIG. 3 is a side view of FIG. 2;

FIG. 4 is a side view of FIG. 2;

FIG. 5 is a rear view of FIG. 2;

FIG. 6 is a top plan view of FIG. 2; and,

FIG. 7 is a bottom plan view of FIG. 2.

The broken line showing of the pattern in FIG. 7 and the cord in FIGS. 1,3,4,5,6 and 7 are for illustrative purposes only and form no part of the claimed design.

**1 Claim, 4 Drawing Sheets**

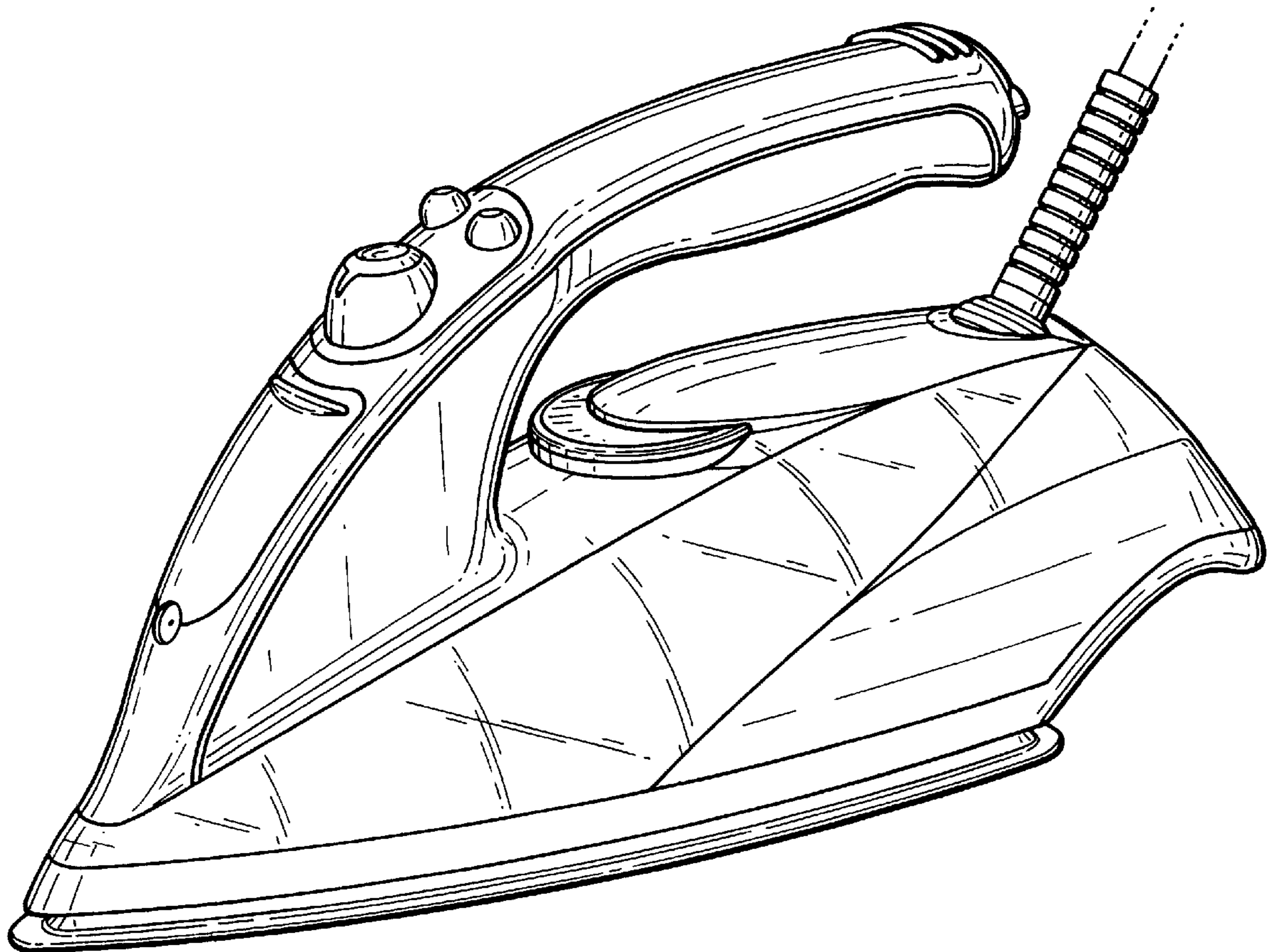


Fig. 1

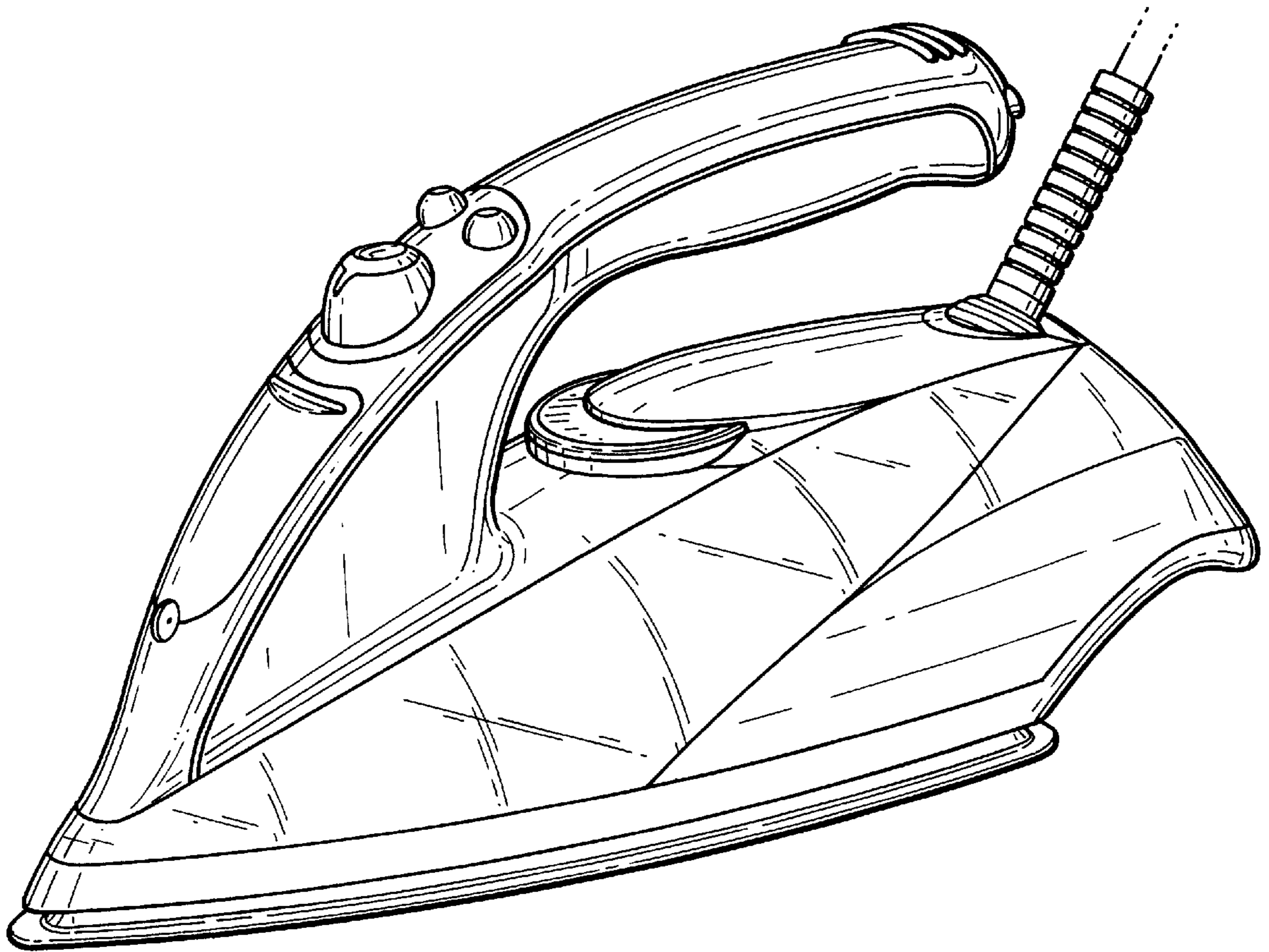


Fig. 2

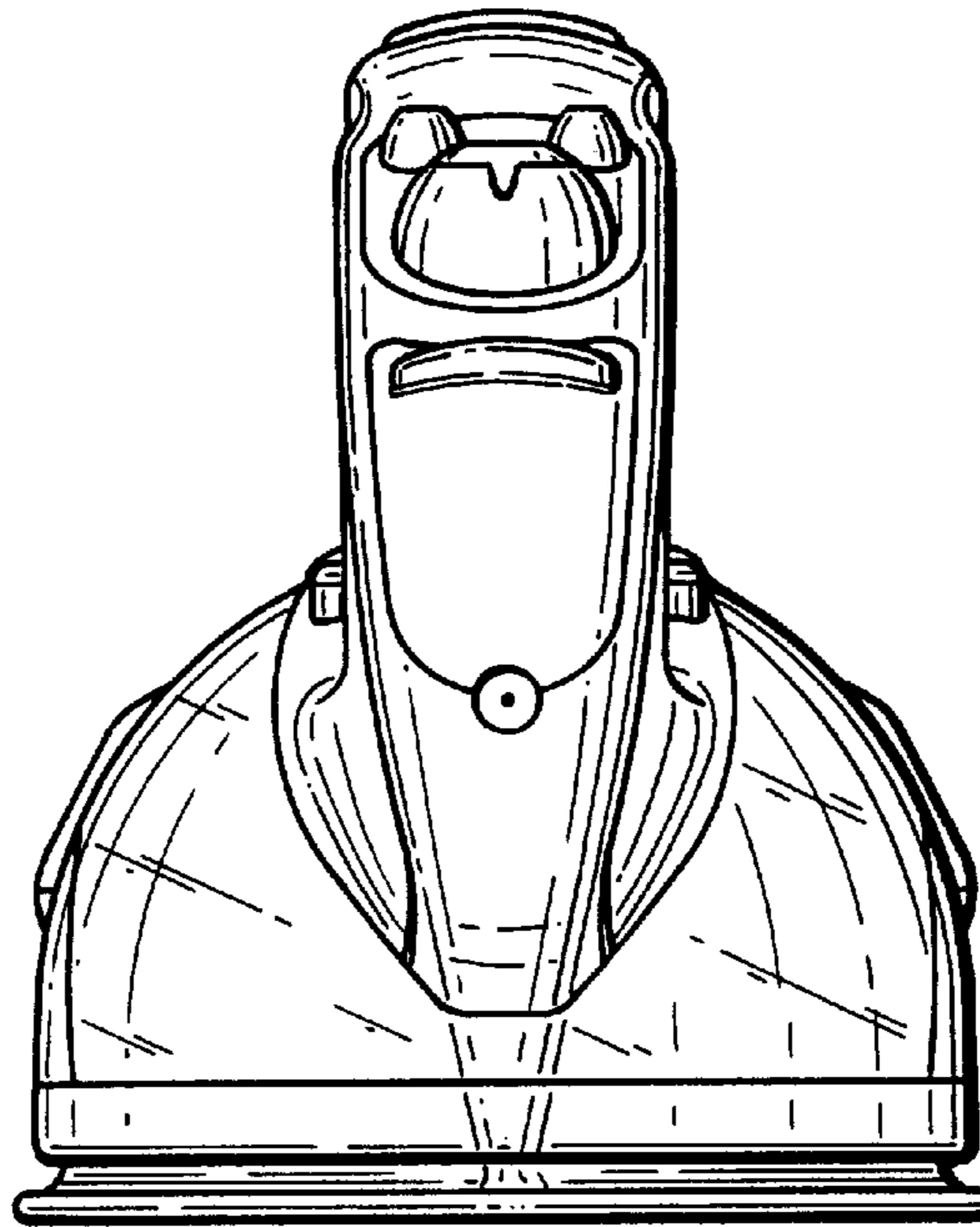


Fig. 5

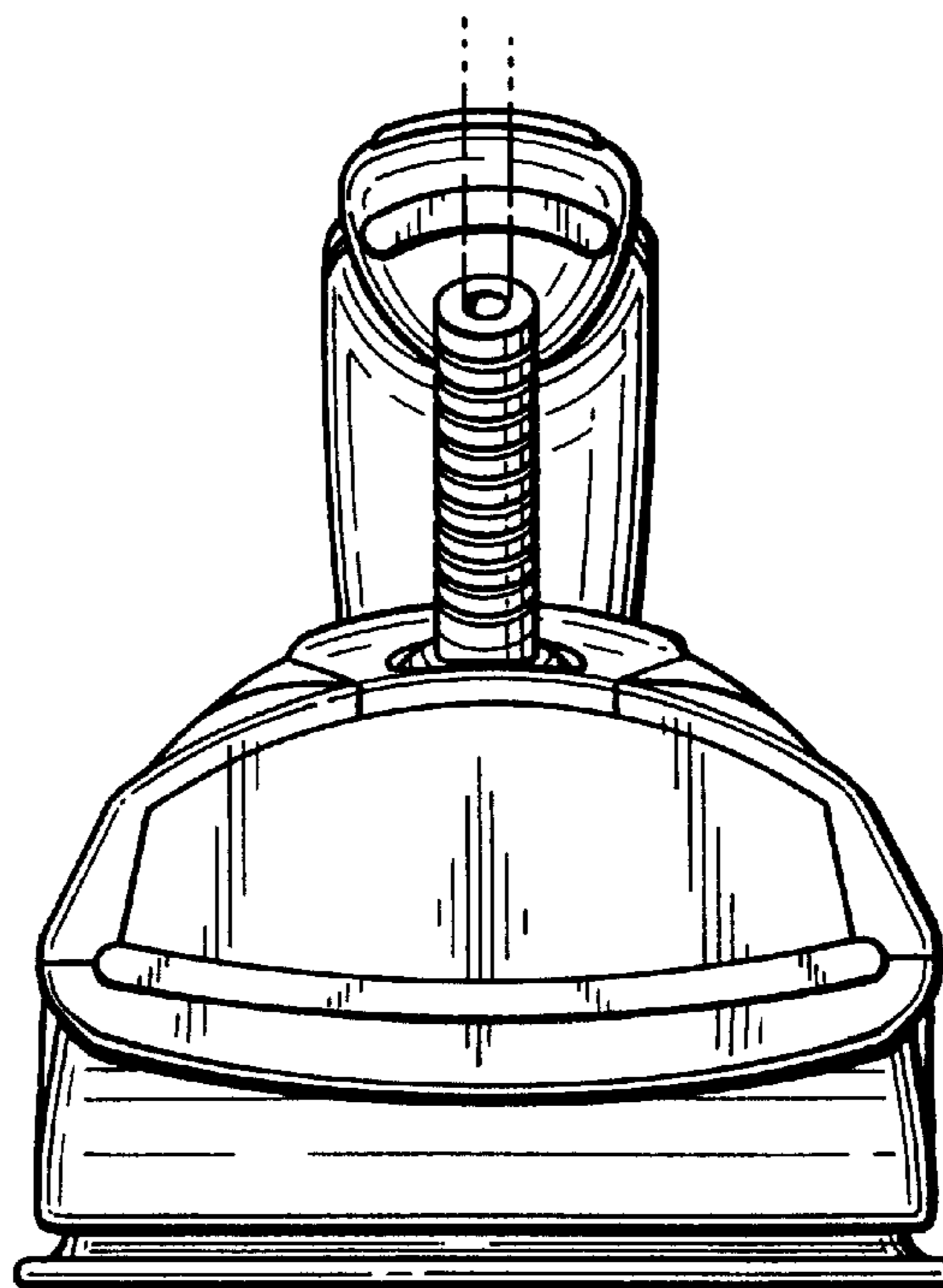




Fig. 6

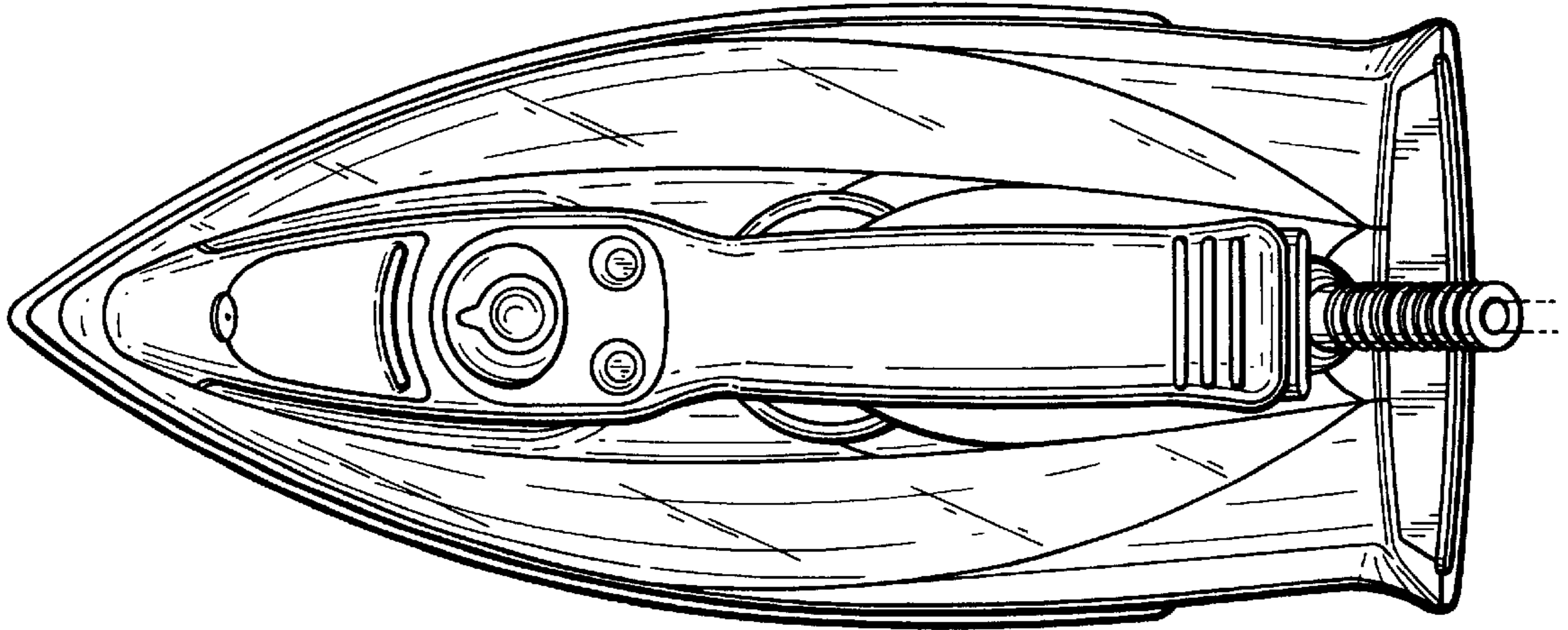


Fig. 3

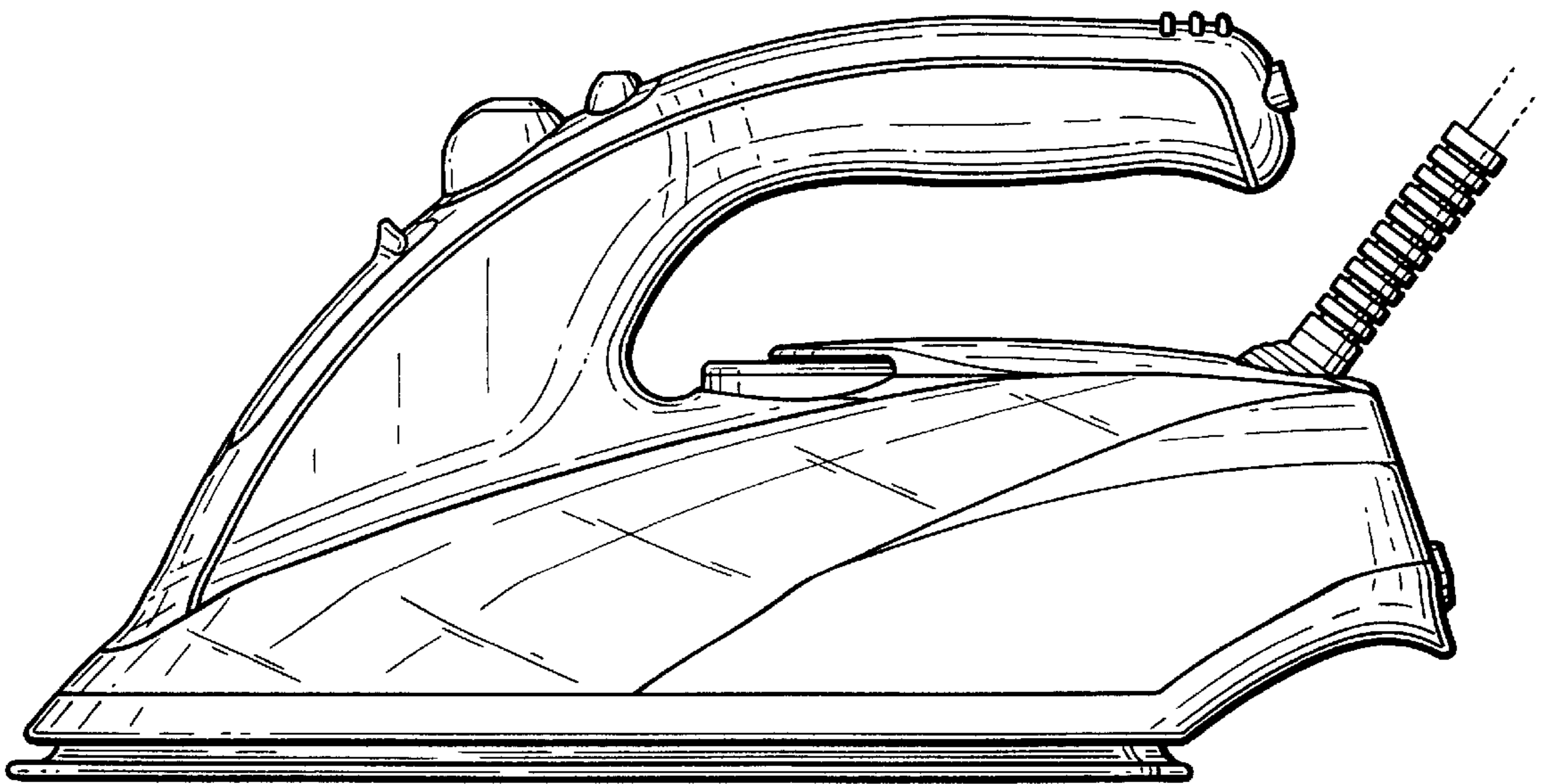


Fig. 4

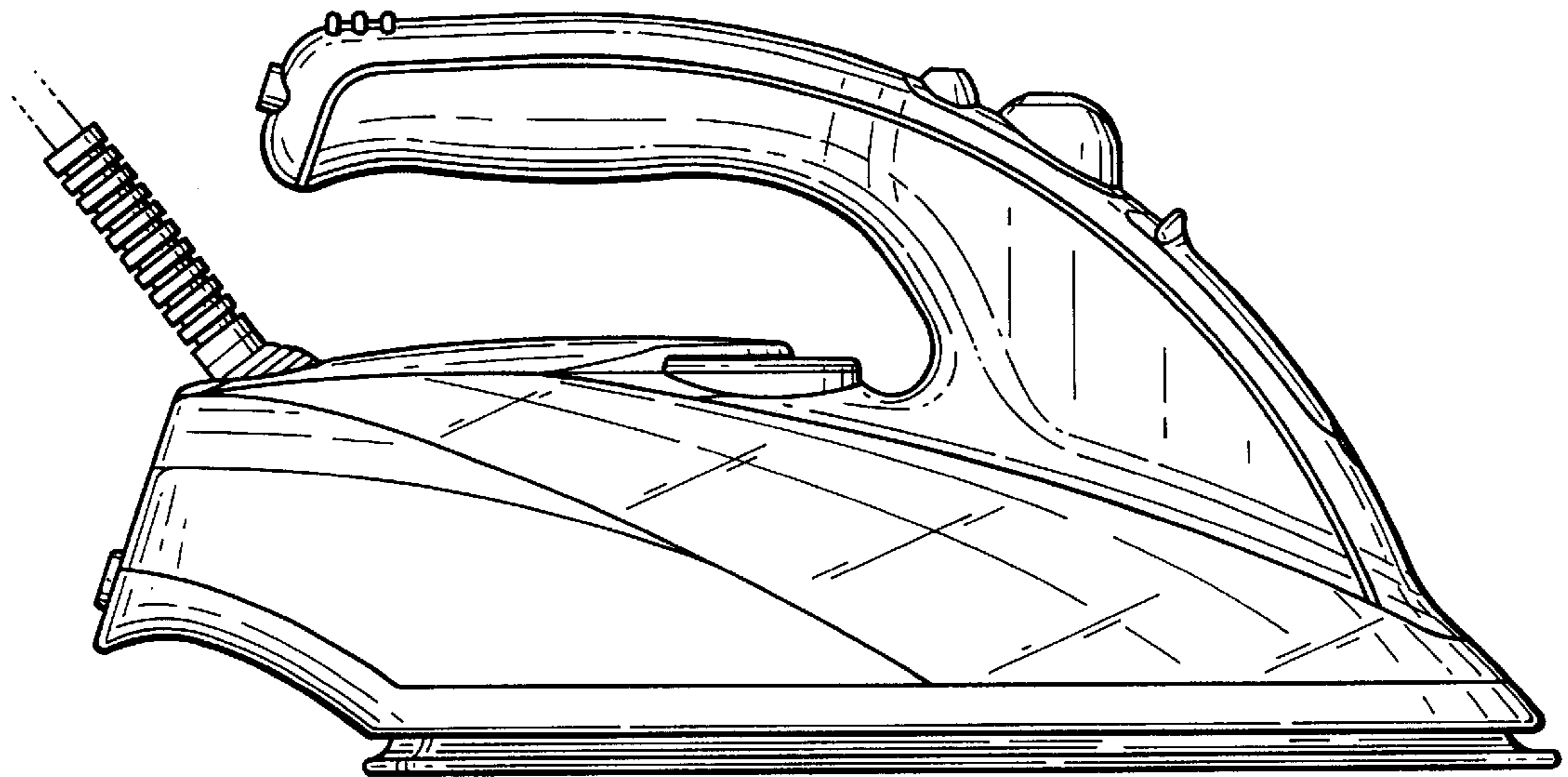


Fig. 7

