



US00D415864S

United States Patent [19] Axhamre

[11] **Patent Number: Des. 415,864**

[45] **Date of Patent: ** Oct. 26, 1999**

[54] **REMOVABLE INSERT FOR PAINT
RECEPTACLE**

D. 372,125 7/1996 Frazier D32/53
2,988,767 6/1961 Tretwold et al. D32/53
5,207,348 5/1993 Fischer et al. 220/697

[76] Inventor: **Lennart Axhamre**, Box 205, Frillesås,
Sweden

Primary Examiner—Robin V. Taylor
Attorney, Agent, or Firm—Howson & Howson

[**] Term: **14 Years**

[57] **CLAIM**

[21] Appl. No.: **29/097,448**

The ornamental design for a removable insert for paint receptacle, as shown and described.

[22] Filed: **Dec. 7, 1998**

DESCRIPTION

[30] Foreign Application Priority Data

Jun. 5, 1998 [SE] Sweden 98-1211

[51] **LOC (6) Cl.** **07-07**

[52] **U.S. Cl.** **D32/54**

[58] **Field of Search** D32/54, 53, 53.1;
220/694, 697, 700-702, 729, 578, 904,
570

FIG. 1 is a perspective view of a removable insert for paint receptacle showing my new design;
FIG. 2 is a front elevational view thereof;
FIG. 3 is a rear elevational view thereof;
FIG. 4 is a right side elevational view thereof, the left side elevational view being a mirror image of FIG. 4;
FIG. 5 is a top plan view thereof;
FIG. 6 is a bottom plan view thereof; and,
FIG. 7 is a perspective view of a removable insert for paint receptacle showing my new design with environmental structure shown in broken lines.

[56] References Cited

U.S. PATENT DOCUMENTS

D. 28,095 12/1897 Mills D32/53
D. 28,326 3/1898 Joy D32/53
D. 331,992 12/1992 Sheridan D32/53.1
D. 355,735 2/1995 Shaffer et al. D32/53
D. 364,014 11/1995 Moffitt D32/53.1

The broken lines showing the environment in FIG. 7 are for illustrative purposes only, and form no part of the claimed design.

1 Claim, 4 Drawing Sheets

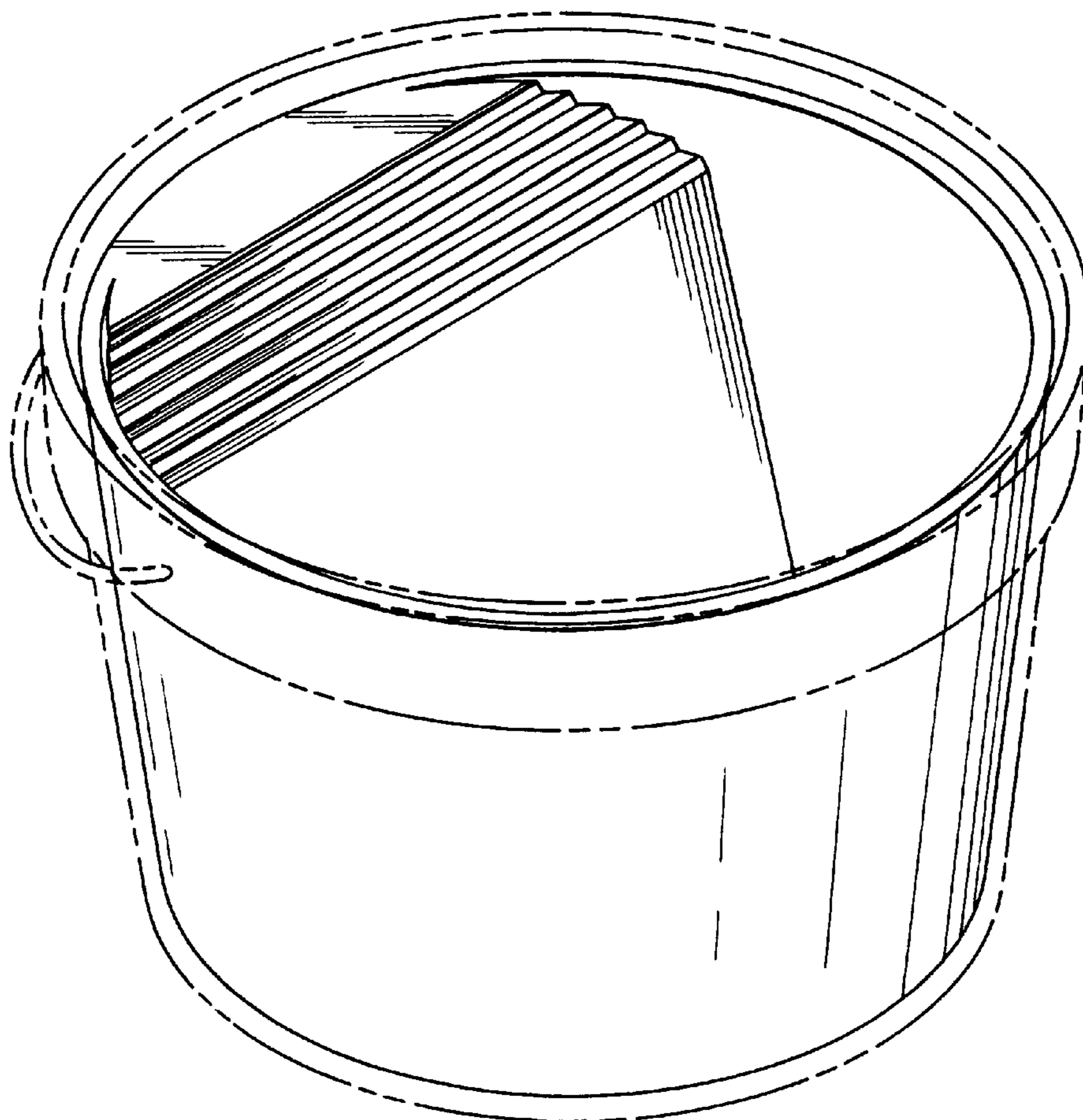


FIG. 1

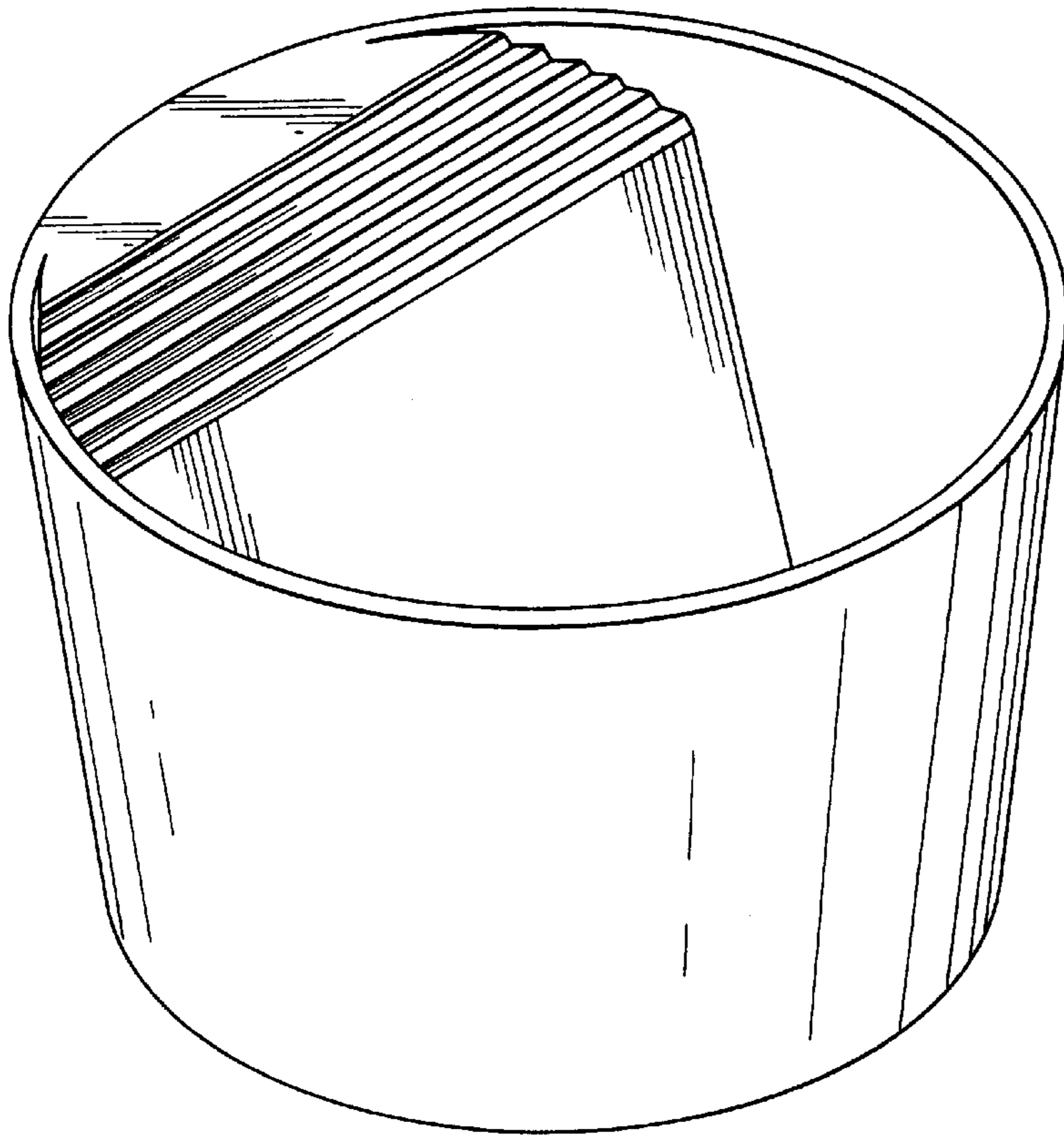


FIG. 2

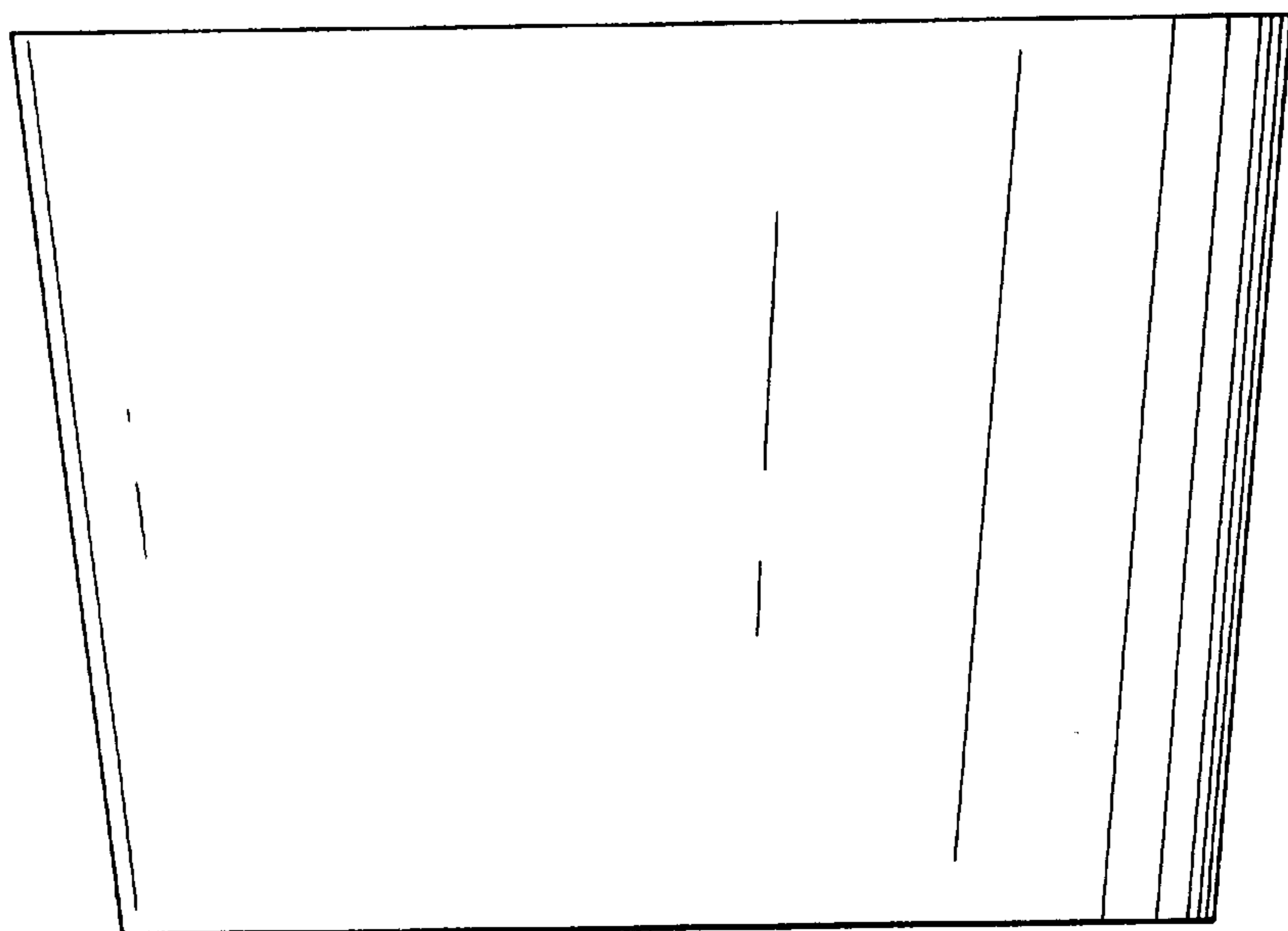


FIG. 3

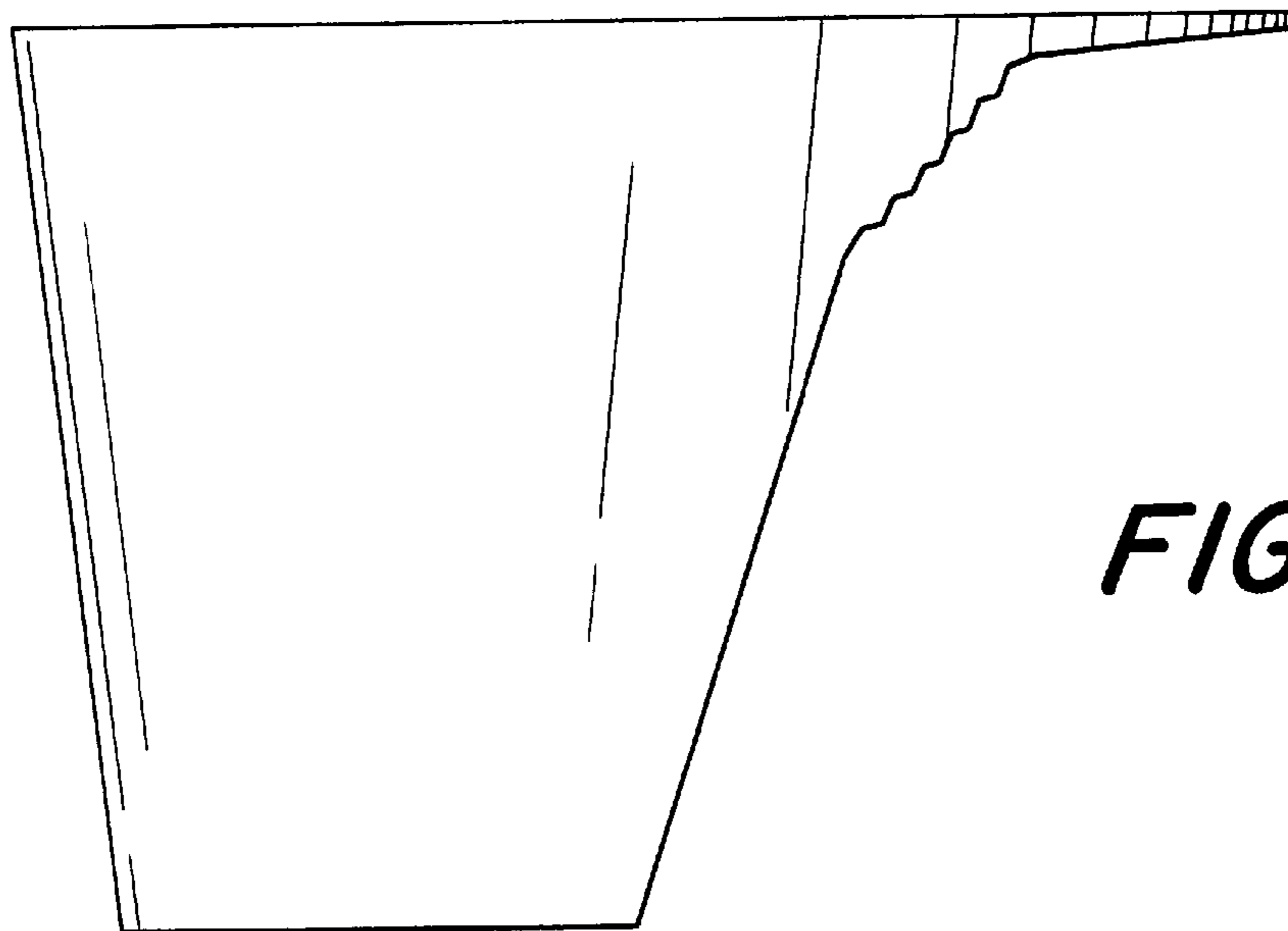
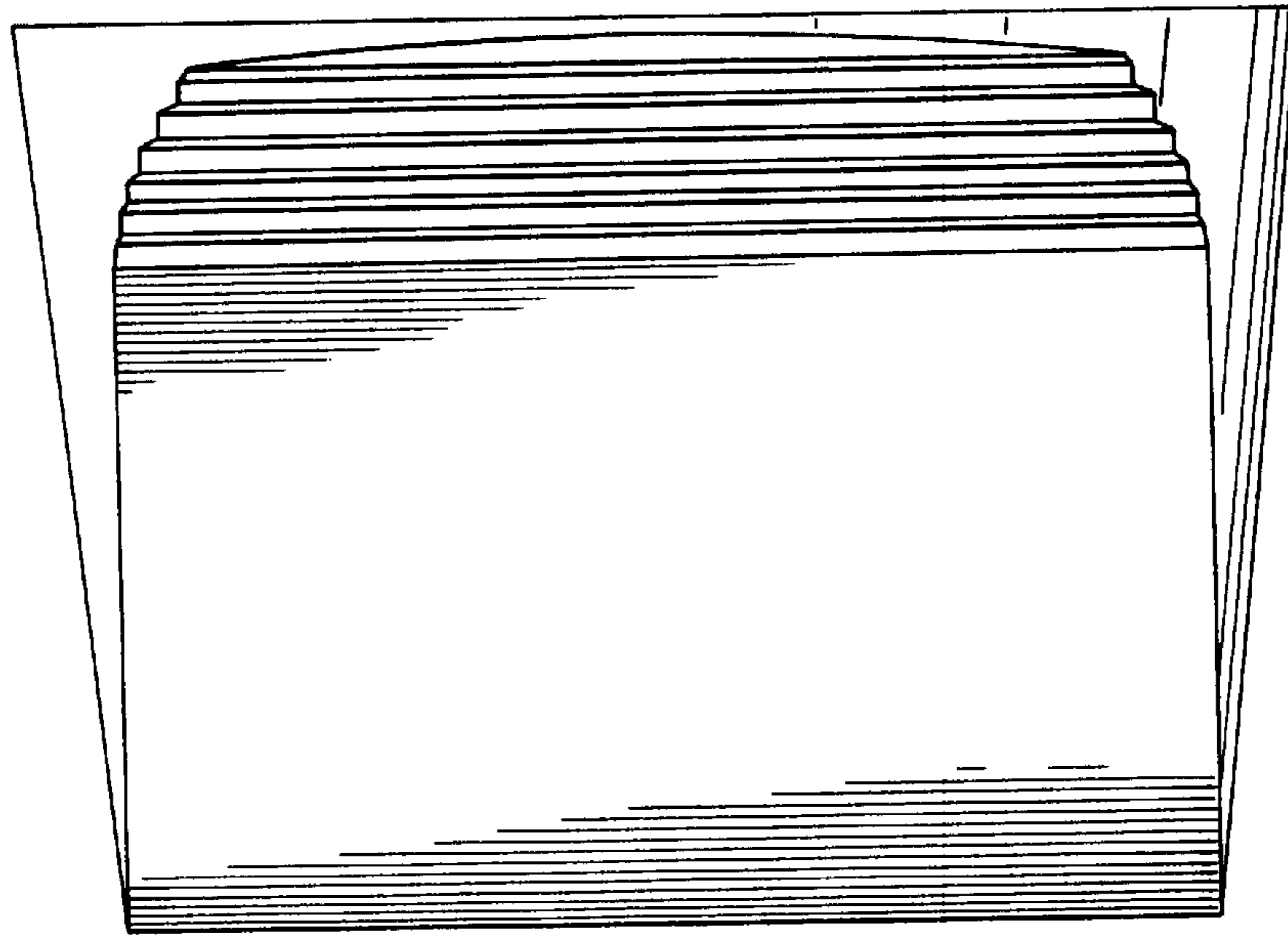


FIG. 4

FIG. 5

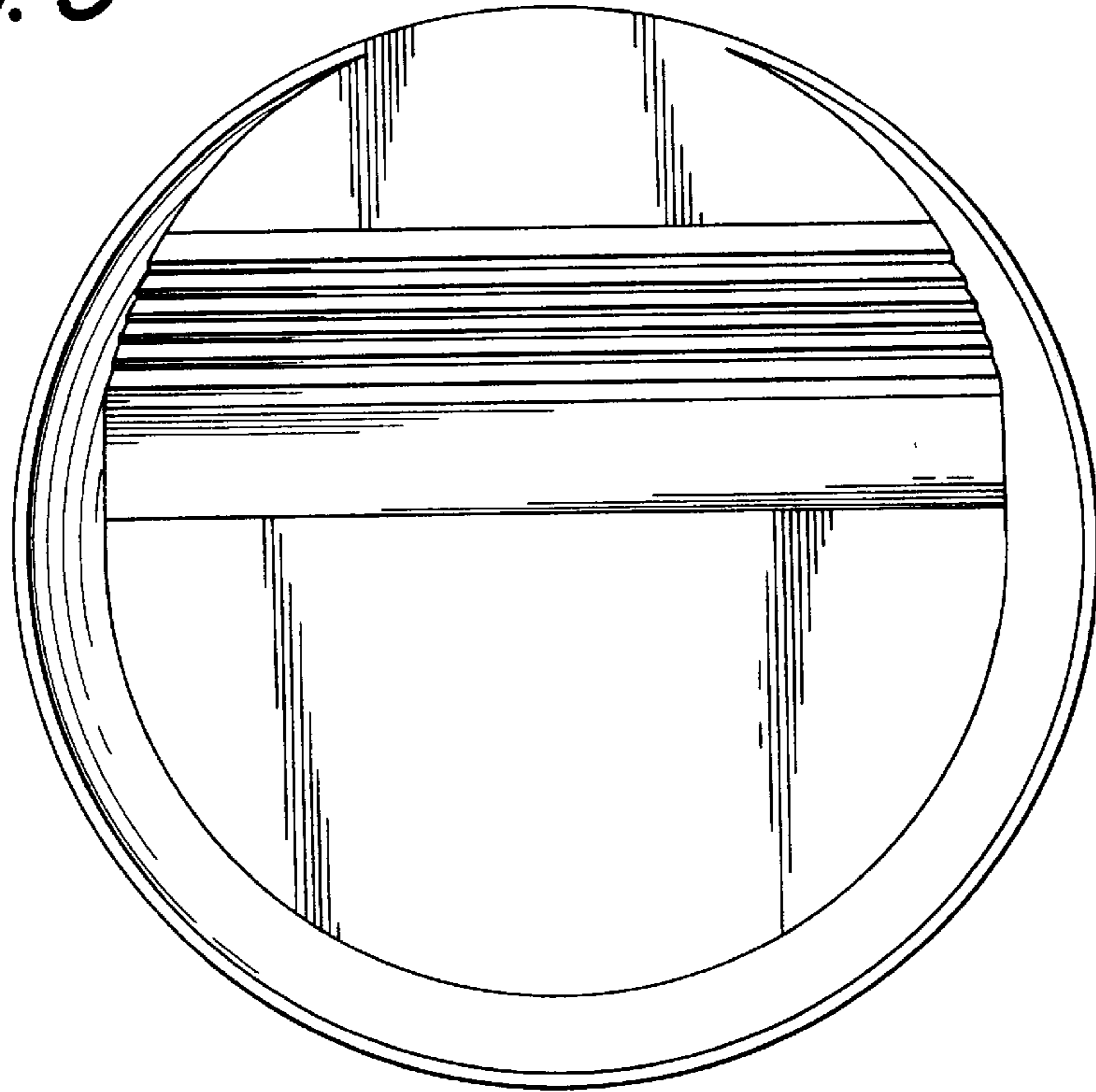


FIG. 6

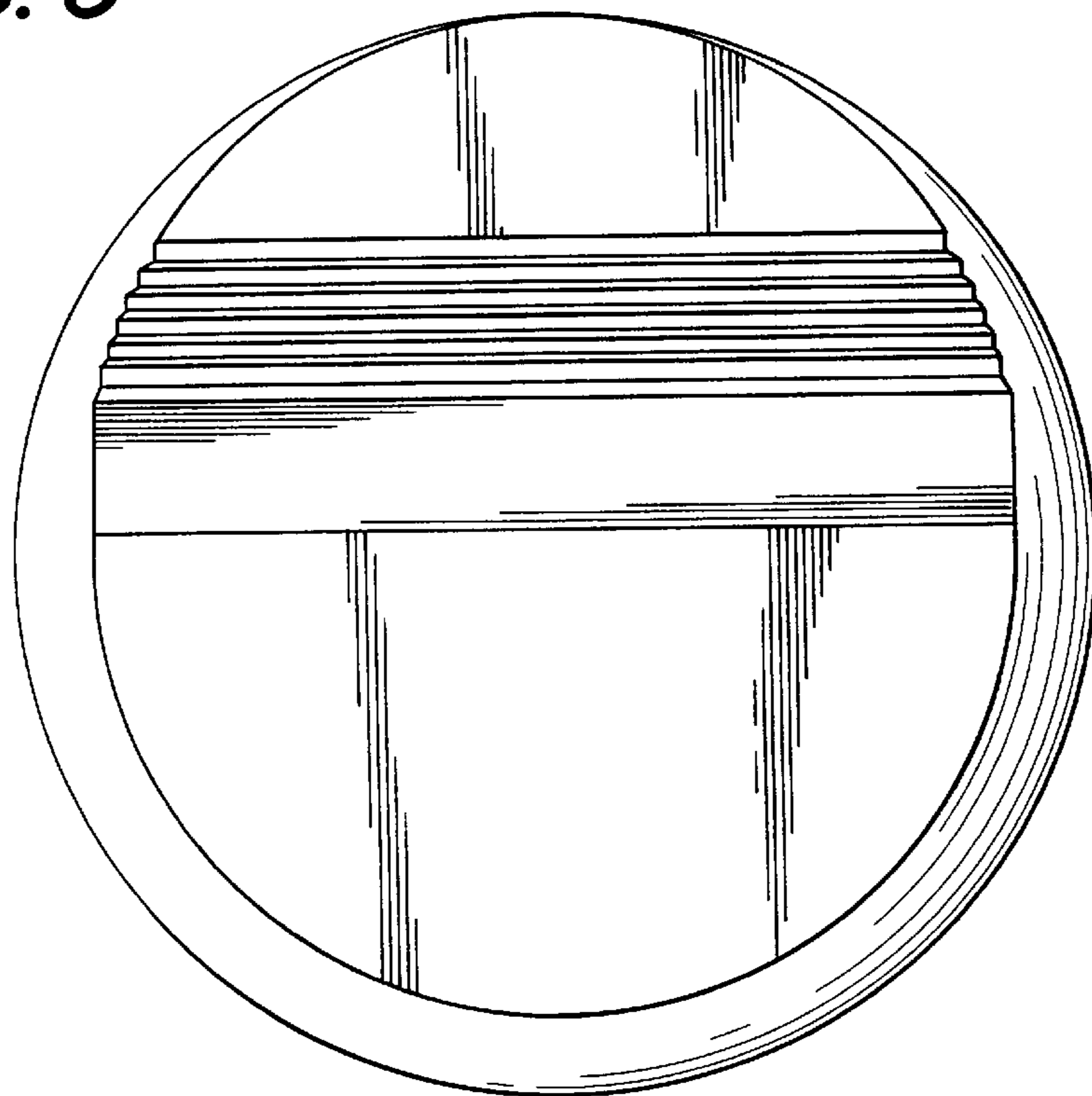


FIG. 7

