



US00D415863S

United States Patent [19]

Cote et al.

[11] Patent Number: **Des. 415,863**

[45] Date of Patent: **** Oct. 26, 1999**

[54] **FRAME FOR CAR WASH EQUIPMENT**

[75] Inventors: **Dennis R. Cote**, West Linn; **Daniel C. Hanna, Jr.**, Lake Oswego; **Gary B. Fulmer**, Beaverton; **Dale Marion**, Oregon City, all of Oreg.

[73] Assignee: **Hanna-Sherman International, Inc.**, Portland, Oreg.

[**] Term: **14 Years**

[21] Appl. No.: **29/085,887**

[22] Filed: **Mar. 30, 1998**

[51] **LOC (6) Cl.** **15-05**

[52] **U.S. Cl.** **D32/4**

[58] **Field of Search** D32/4; 15/97.3, 15/53.1, 53, 21, 4

[56] References Cited

U.S. PATENT DOCUMENTS

D. 242,068	10/1976	Barber	D32/4
D. 242,069	10/1976	Barber	D32/4
D. 314,845	2/1991	Seamster, Jr.	D32/4
3,089,168	5/1963	Blanford	15/21
3,908,219	9/1975	Chapman et al.	15/21
4,039,014	8/1977	Sellars	15/53

4,207,643	6/1980	Beer et al.	15/97 B
4,439,883	4/1984	Hanna	15/97 B
4,622,710	11/1986	Stothart	15/53
4,933,016	6/1990	Carlson	134/18
4,937,908	7/1990	McCadden	15/97
5,167,044	12/1992	Belanger et al.	15/53
5,177,825	1/1993	Belanger et al.	15/53
5,325,559	7/1994	Belanger et al.	15/53
5,337,437	8/1994	Hingle	15/53

Primary Examiner—Ted Shooman
Assistant Examiner—Mitchell I. Siegel
Attorney, Agent, or Firm—Miller, Nash, Wiener, Hager & Carlsen LLP

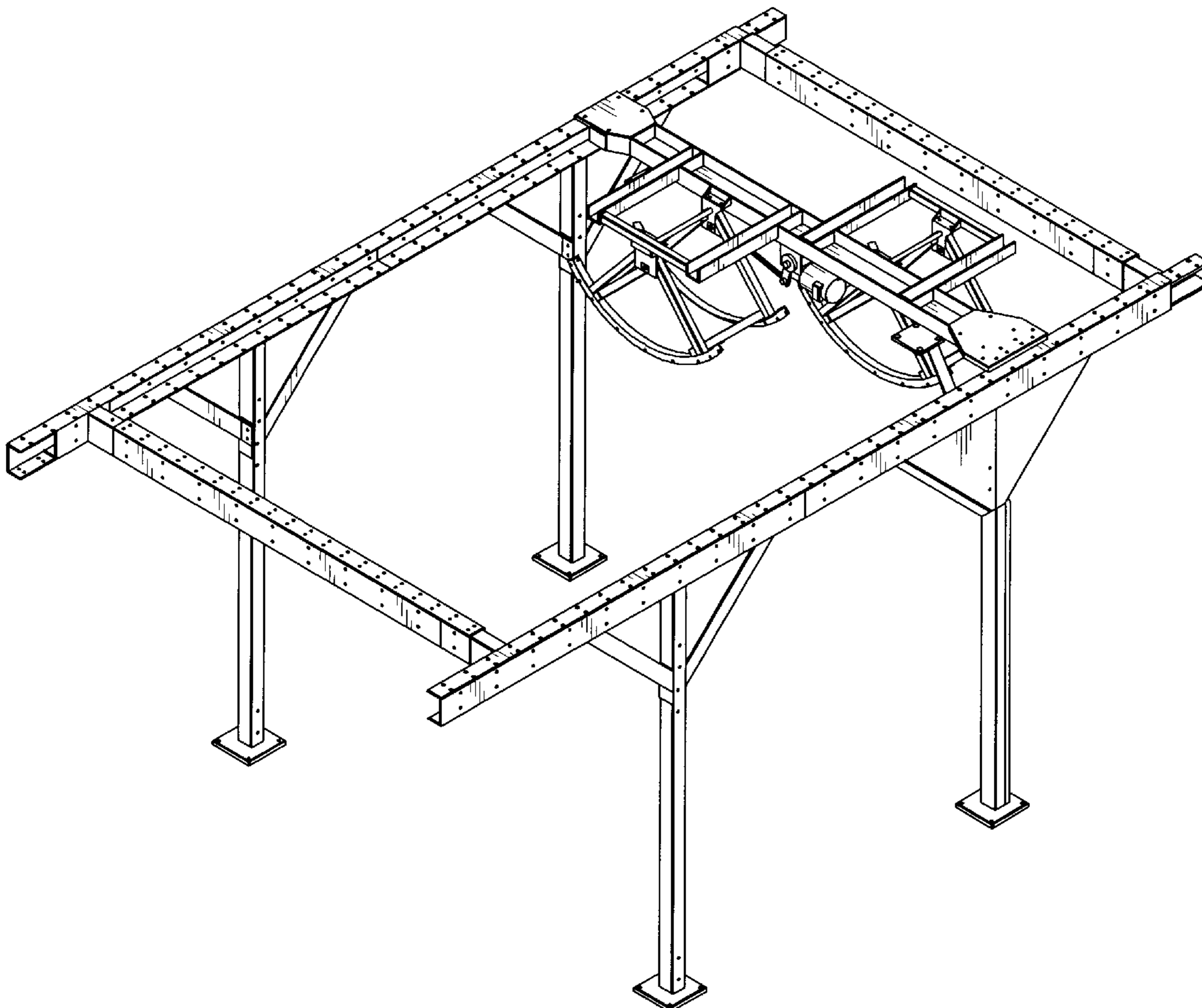
[57] CLAIM

The ornamental design for a frame for car wash equipment, as shown and described.

DESCRIPTION

FIG. 1 is a top, front perspective view of a frame for car wash equipment showing our new design; FIG. 2 is a top plan view thereof; FIG. 3 is a bottom plan view thereof; FIG. 4 is a rear side view thereof; FIG. 5 is a right end view thereof; FIG. 6 is a left end view thereof; and, FIG. 7 is a front side view thereof.

1 Claim, 7 Drawing Sheets



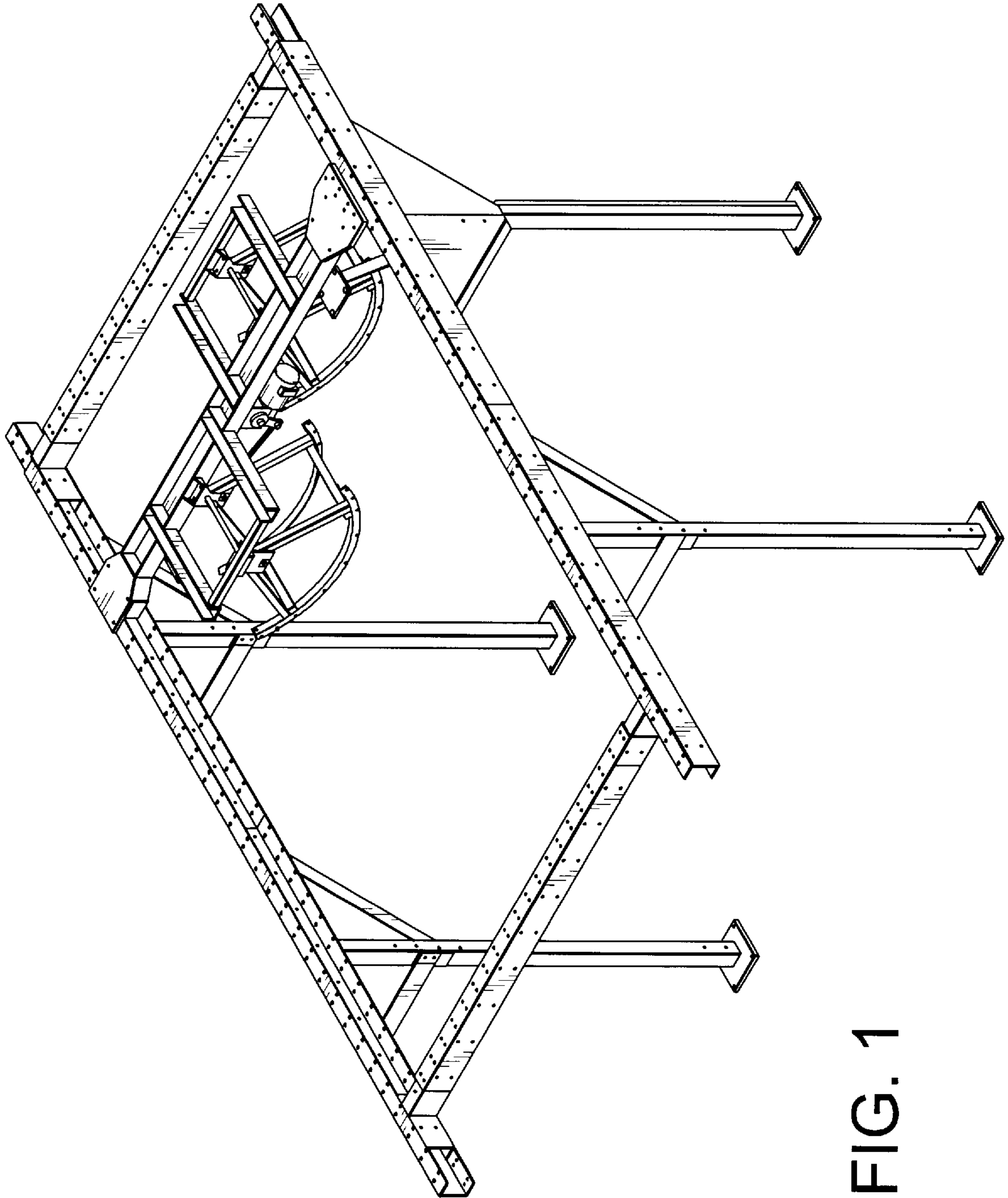


FIG. 1

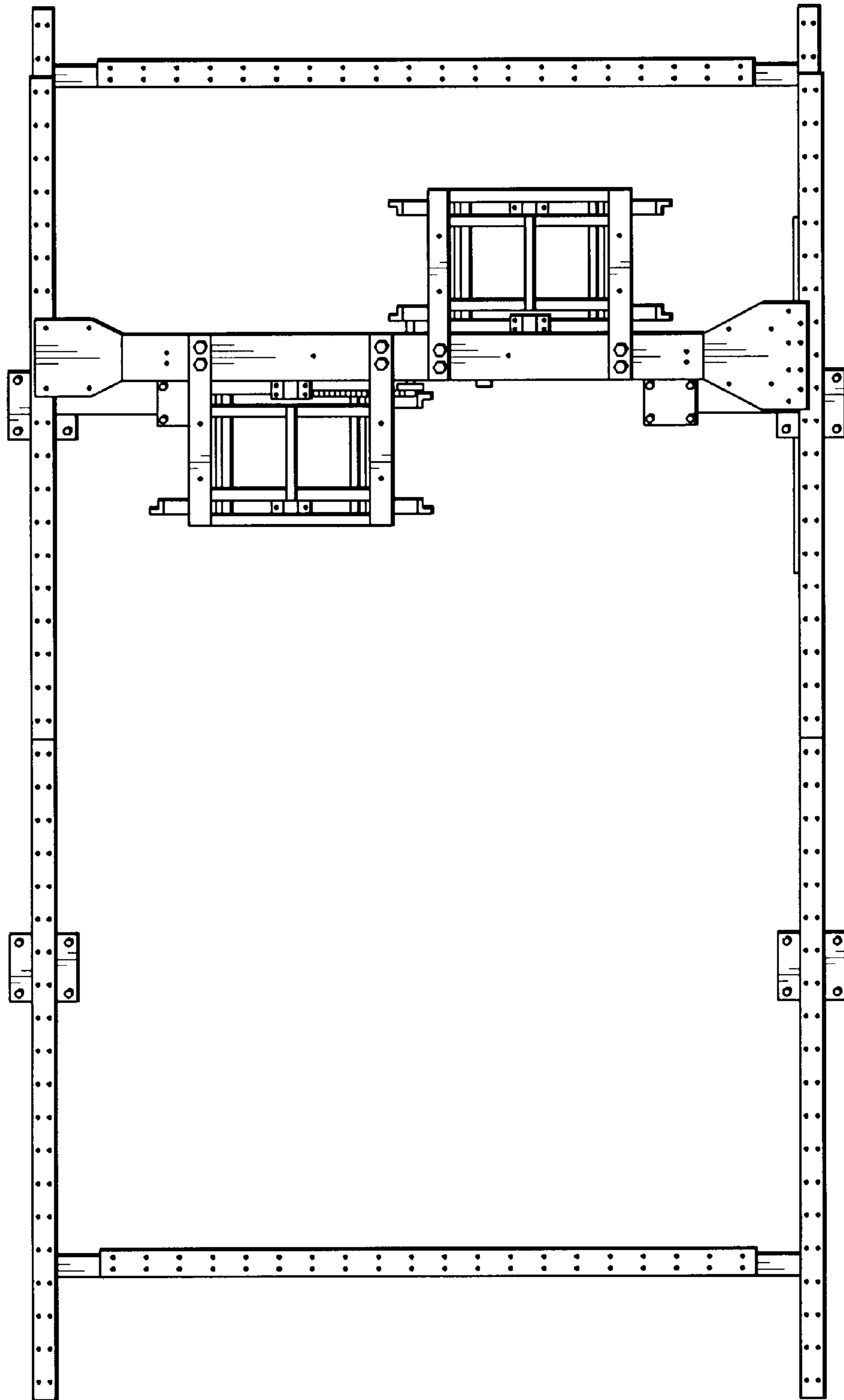


FIG. 2

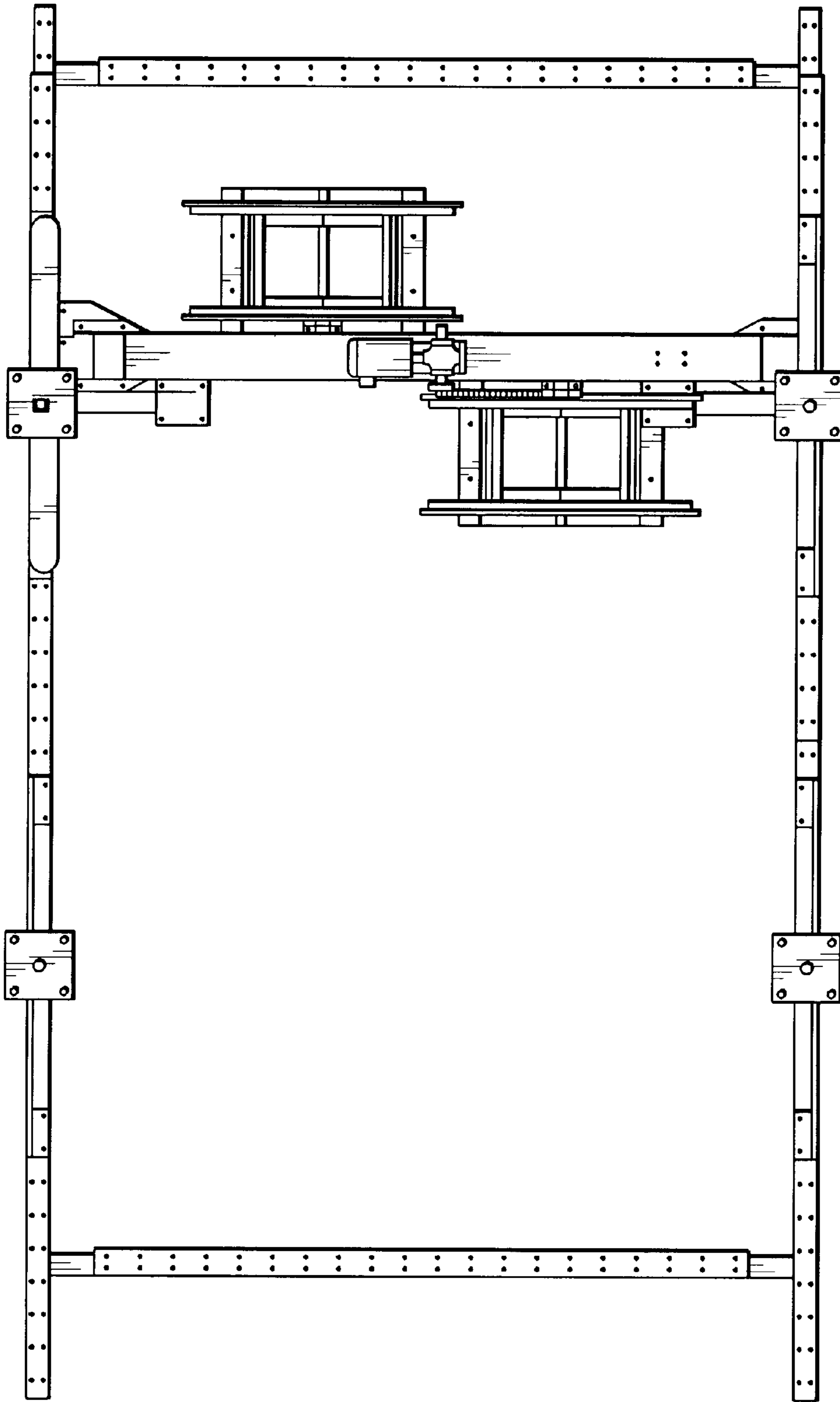


FIG. 3

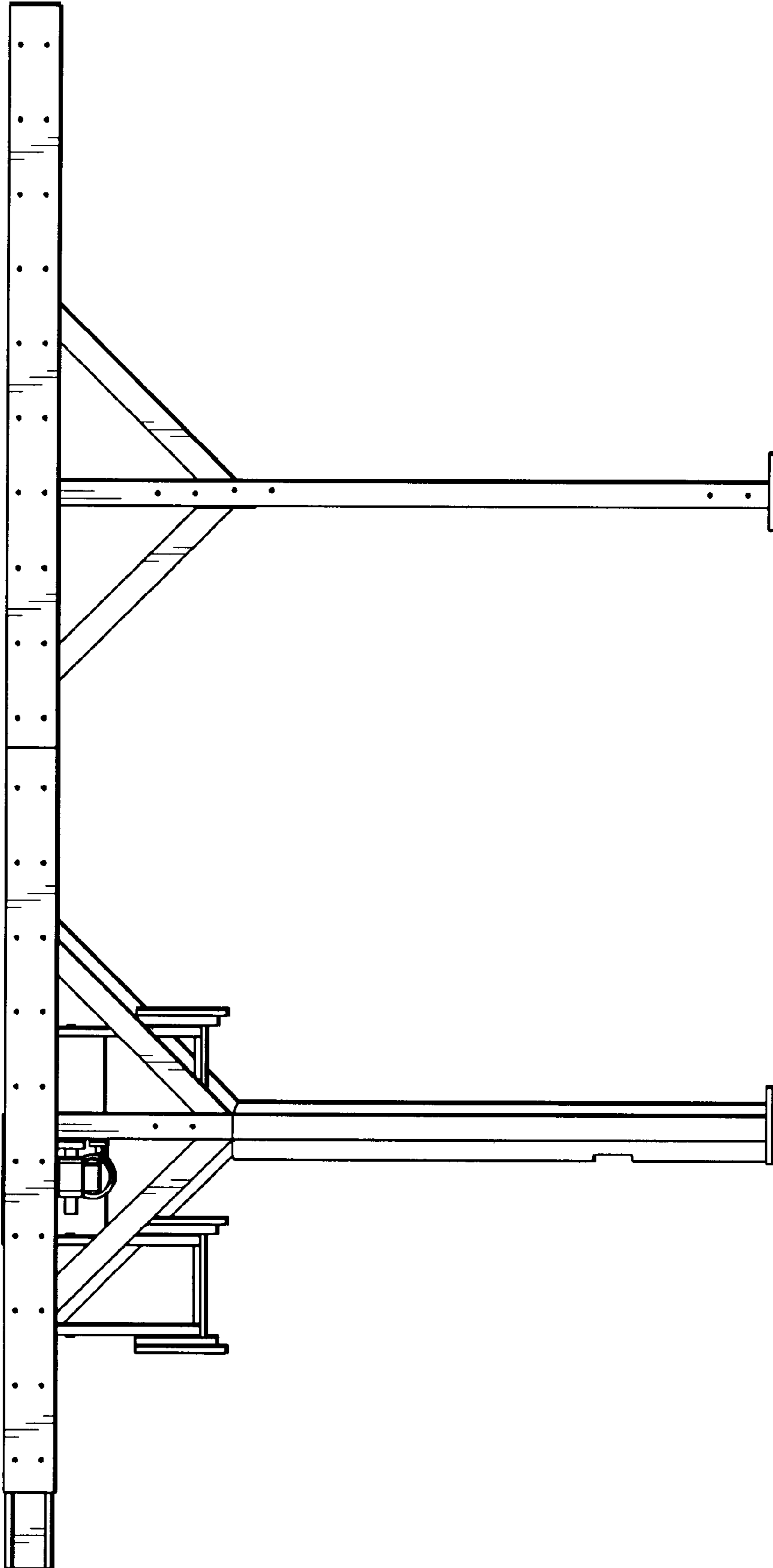


FIG. 4

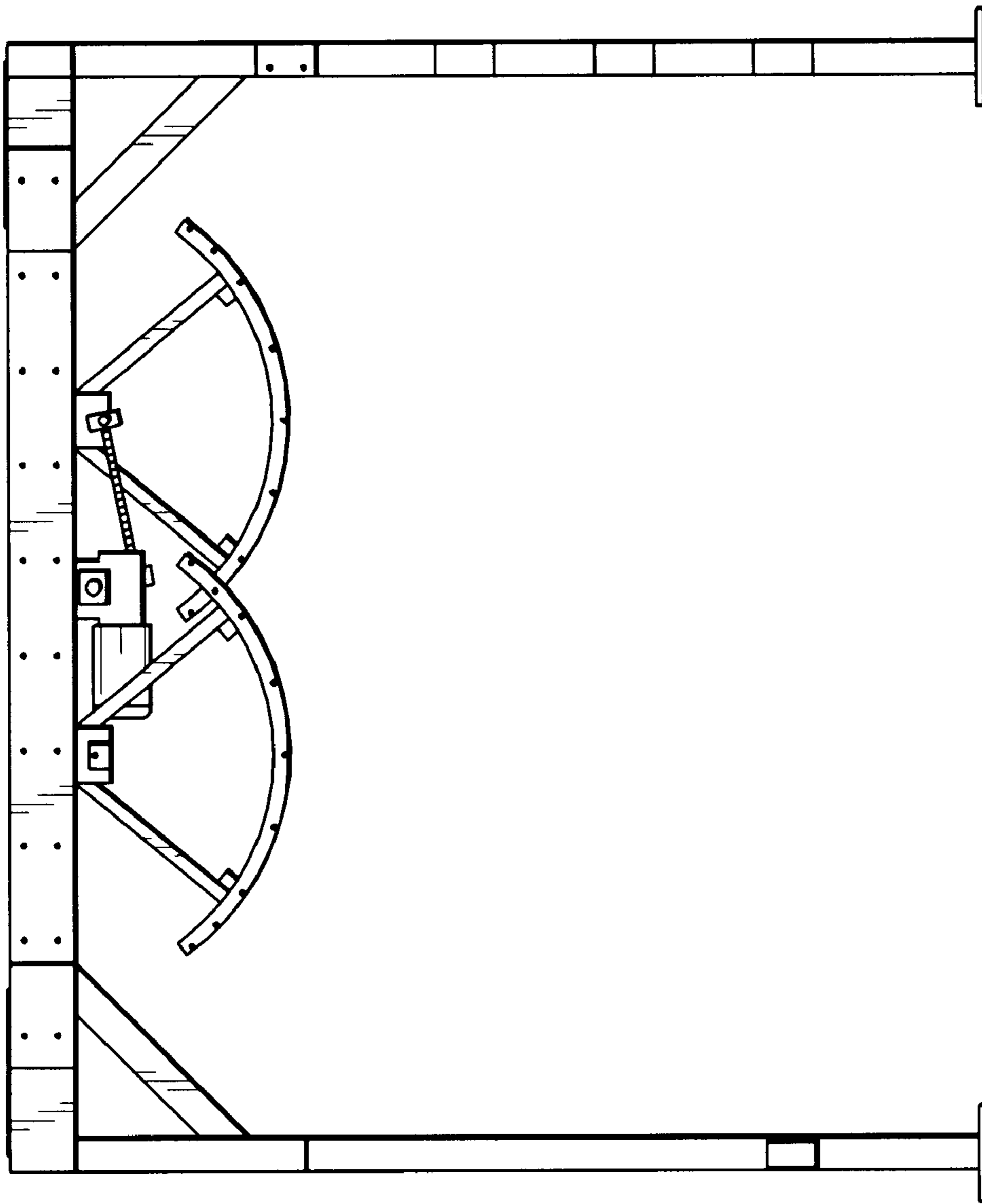


FIG. 5

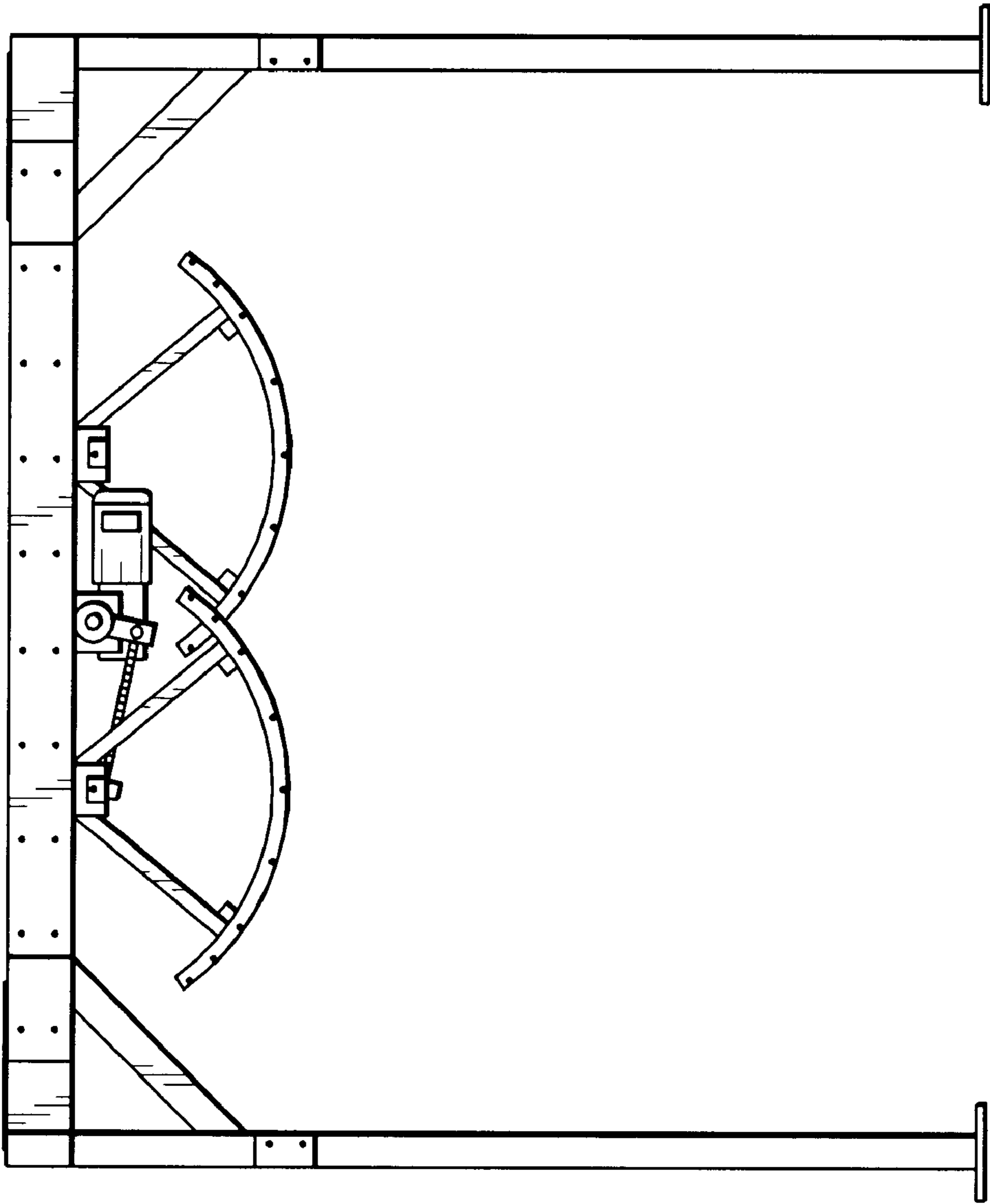


FIG. 6

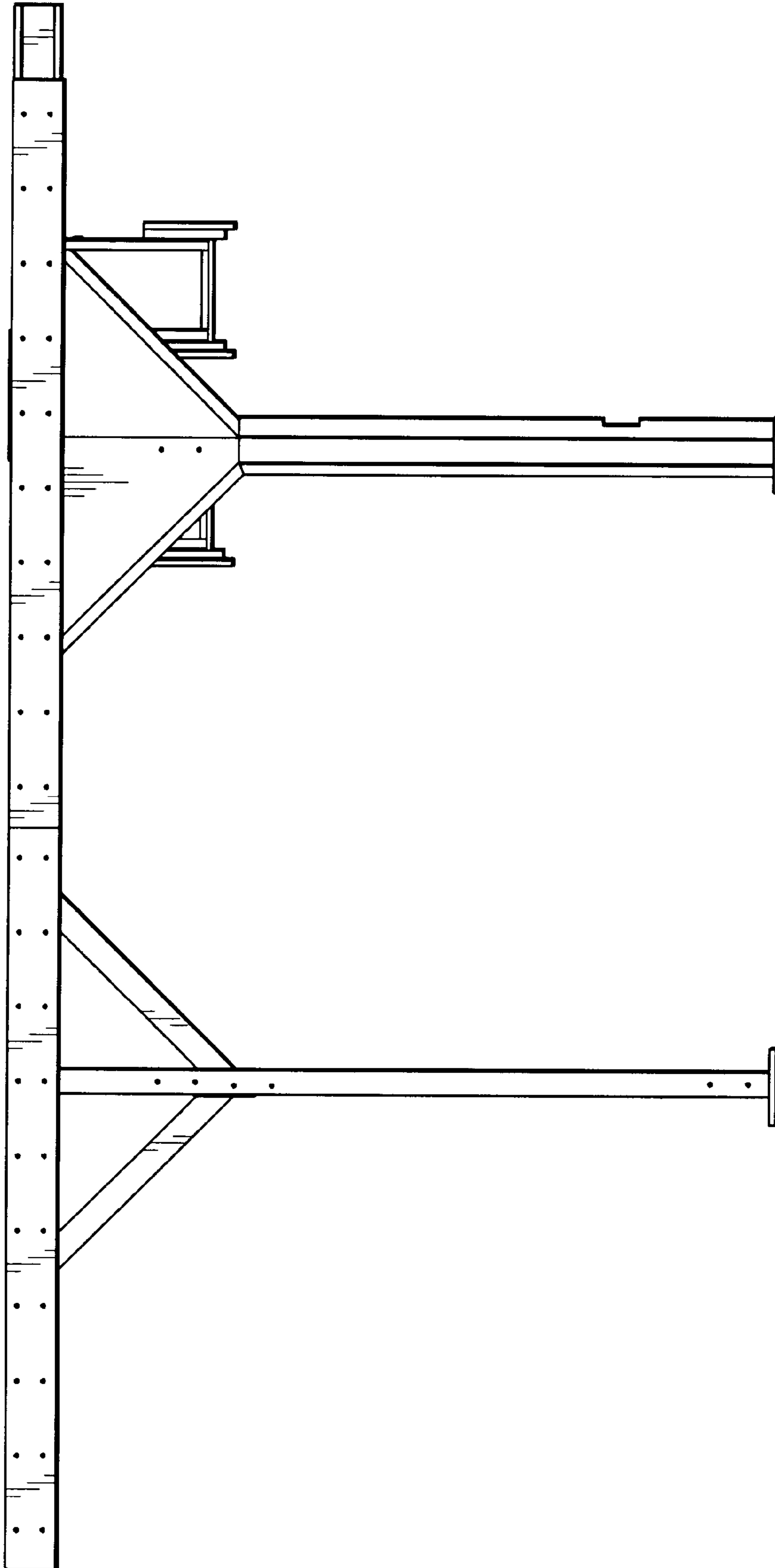


FIG. 7