



US00D415860S

United States Patent [19] Egger

[11] Patent Number: **Des. 415,860**

[45] Date of Patent: **** Oct. 26, 1999**

[54] **HELMET**

[75] Inventor: **F. Robert Egger**, Watsonville, Calif.

[73] Assignee: **Specialized Bicycle Components, Inc.**,
Morgan Hill, Calif.

[**] Term: **14 Years**

[21] Appl. No.: **29/064,688**

[22] Filed: **Jan. 9, 1997**

[51] **LOC (6) Cl.** **29-02**

[52] **U.S. Cl.** **D29/102**

[58] **Field of Search** D29/102-107;
2/5, 6.1, 6.3, 6.4, 6.5, 6.7, 410, 411, 423,
424, 425

D. 373,857	9/1996	Fujita	D29/102
D. 375,582	11/1996	Garneau	D29/102
4,903,348	2/1990	Broersma	2/421
4,903,350	2/1990	Gentes et al.	2/421
4,993,082	2/1991	Gentes et al.	2/410
5,381,560	1/1995	Halstead	2/421
5,450,631	9/1995	Egger	2/425
5,619,756	4/1997	Garneau	2/425

Primary Examiner—Ruth McInroy
Attorney, Agent, or Firm—Burns, Doane, Swecker & Mathis, L.L.P.

[57] CLAIM

The ornamental design for a helmet, as shown and described.

DESCRIPTION

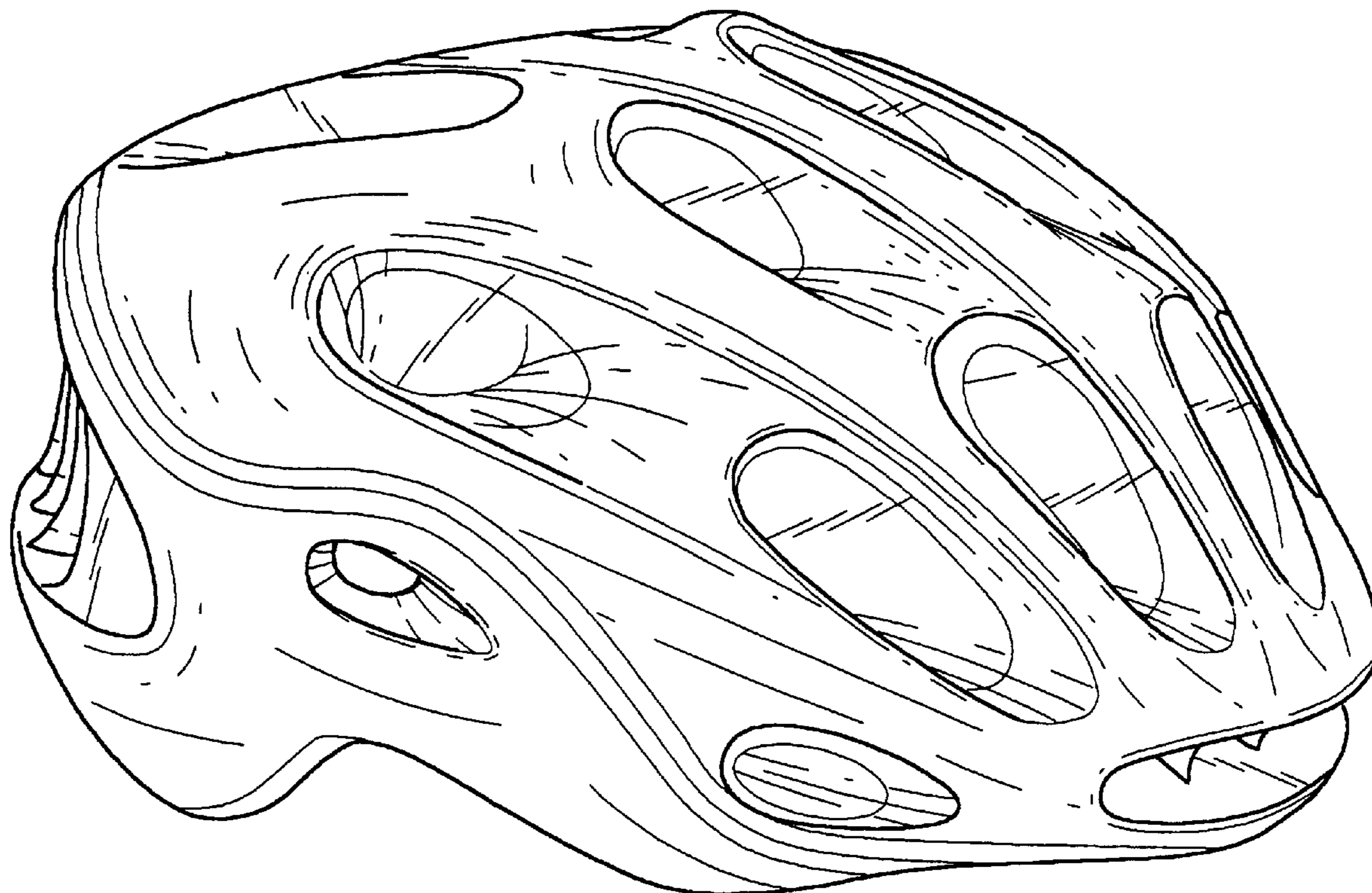
FIG. 1 is a perspective view as seen from the front and upper left of a helmet showing my new design;
FIG. 2 is a perspective view as seen from the rear and upper left thereof;
FIG. 3 is a left side elevational view thereof, the right side is a mirror image;
FIG. 4 is a top plan view thereof;
FIG. 5 is a front elevational view thereof;
FIG. 6 is a rear elevational view thereof; and,
FIG. 7 is a bottom plan view thereof.

1 Claim, 5 Drawing Sheets

[56] References Cited

U.S. PATENT DOCUMENTS

D. 309,961	8/1990	Bobrick	D29/12
D. 316,165	4/1991	Gentes et al.	D29/12
D. 319,112	8/1991	Broersma	D29/12
D. 348,545	7/1994	Egger	D29/102
D. 352,803	11/1994	Sasaki et al.	D29/102
D. 361,410	8/1995	Ho	D29/102
D. 362,084	9/1995	Egger	D29/102
D. 366,731	1/1996	Garneau	D29/102
D. 367,341	2/1996	Losi, II	D29/102
D. 372,559	8/1996	Murakami	D29/102



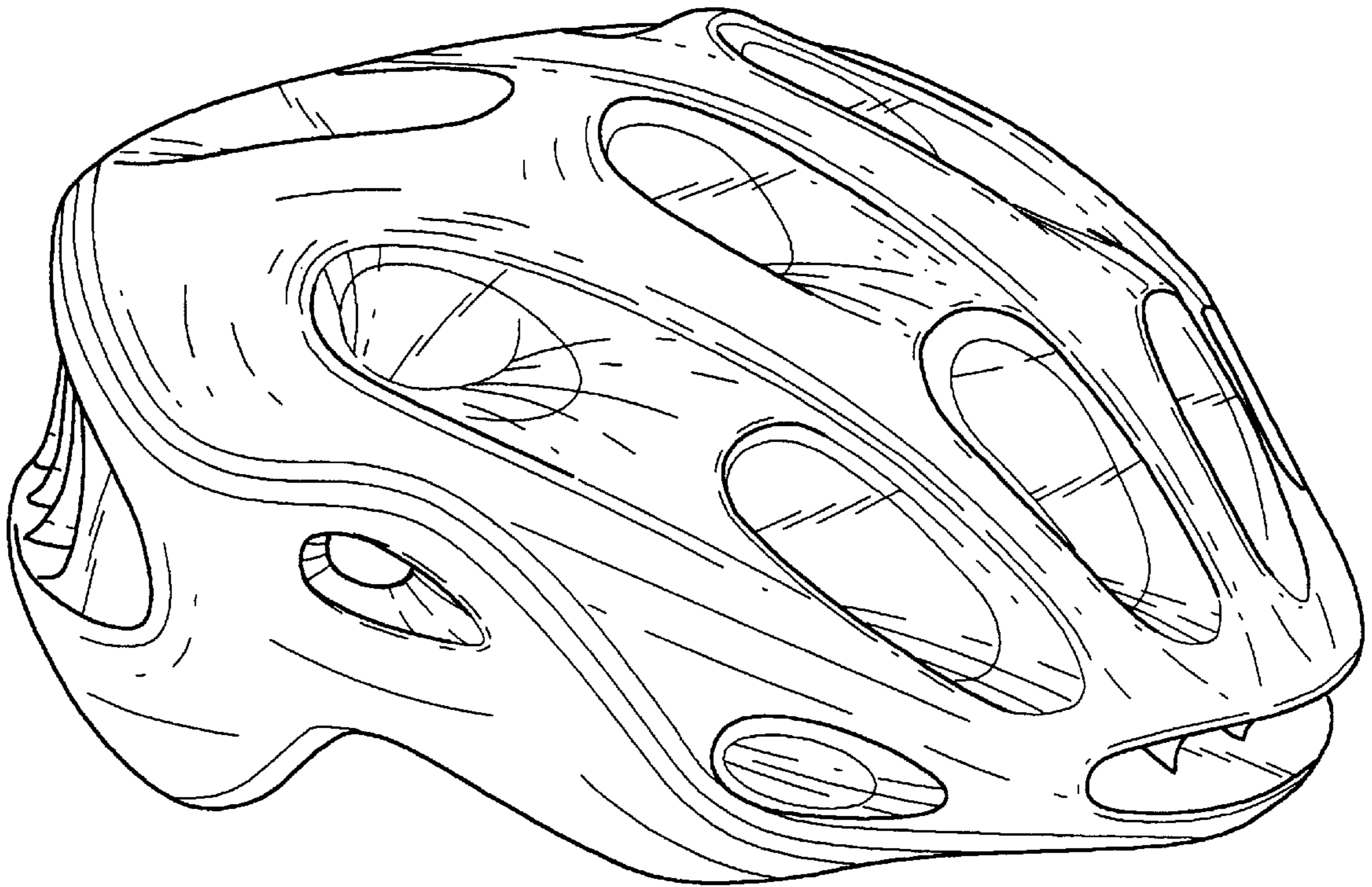


FIG. 1

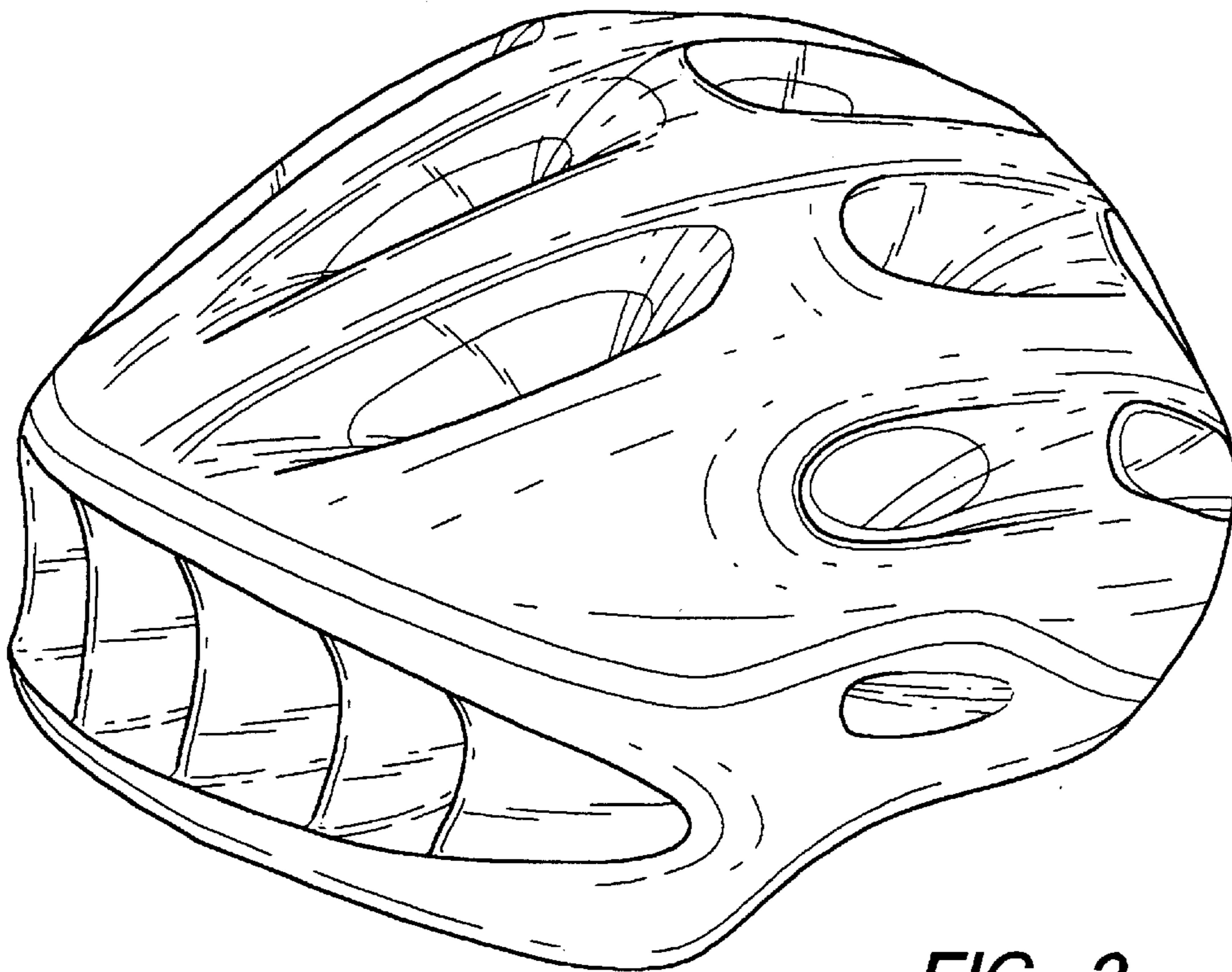


FIG. 2

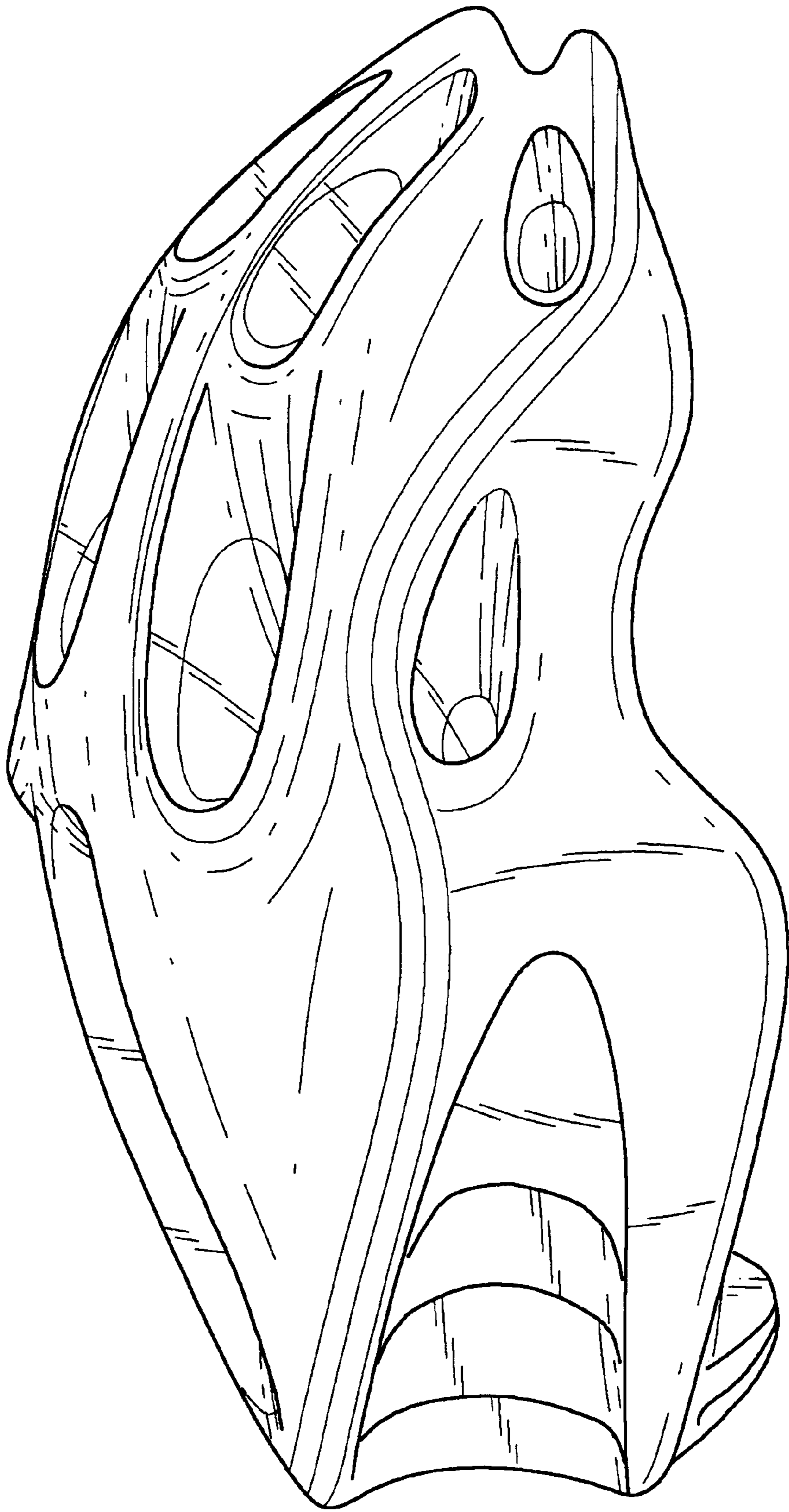


FIG. 3

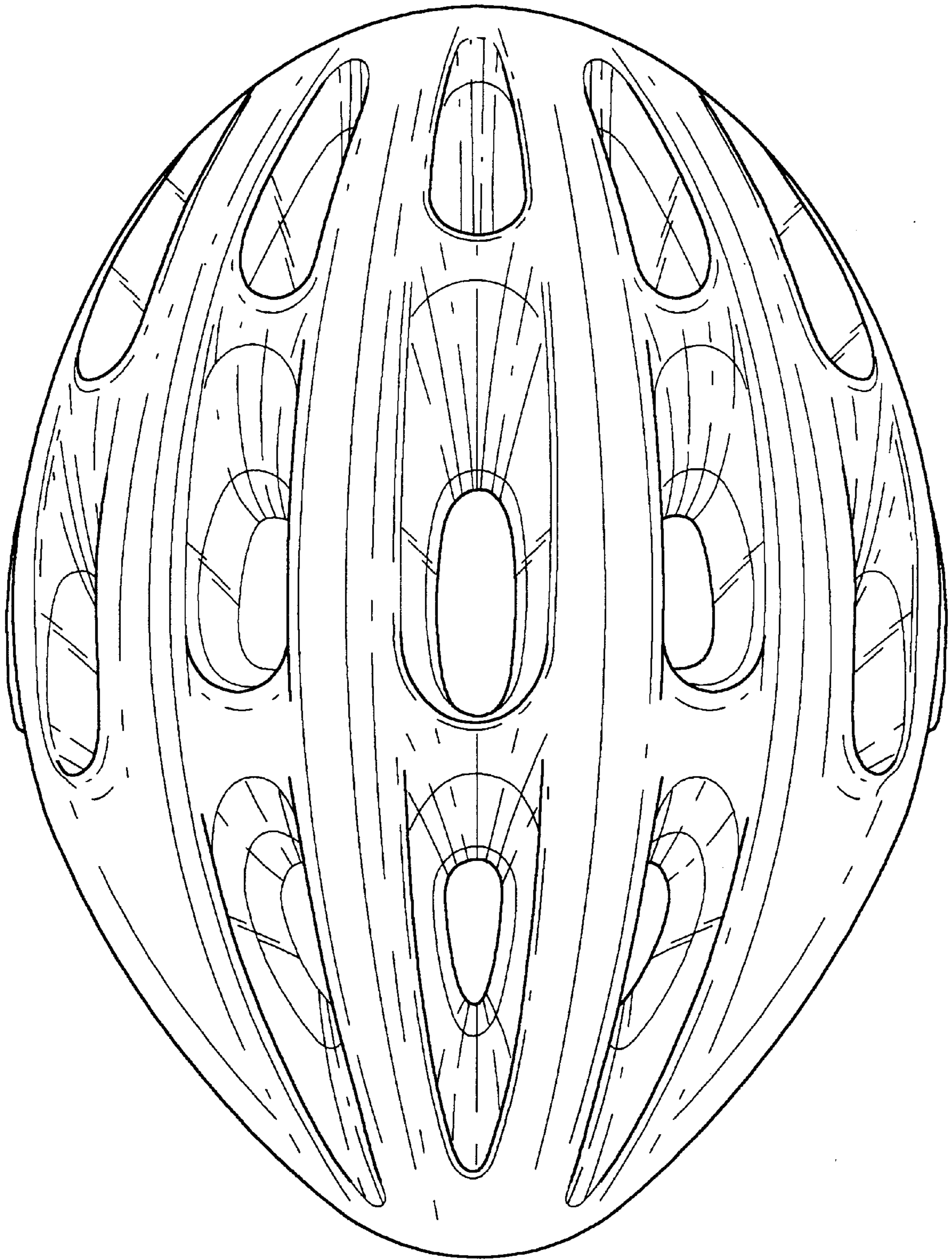


FIG. 4

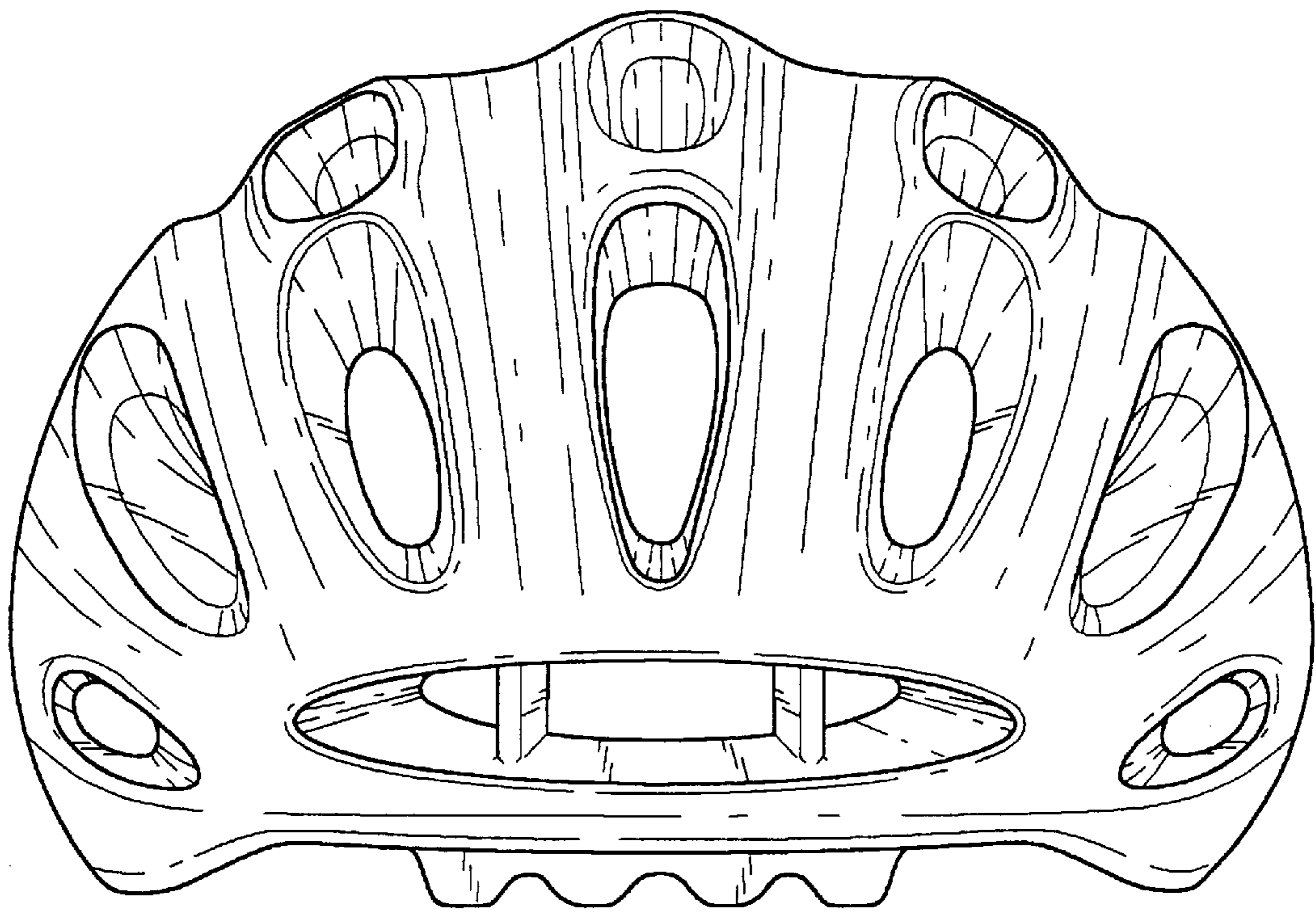


FIG. 5

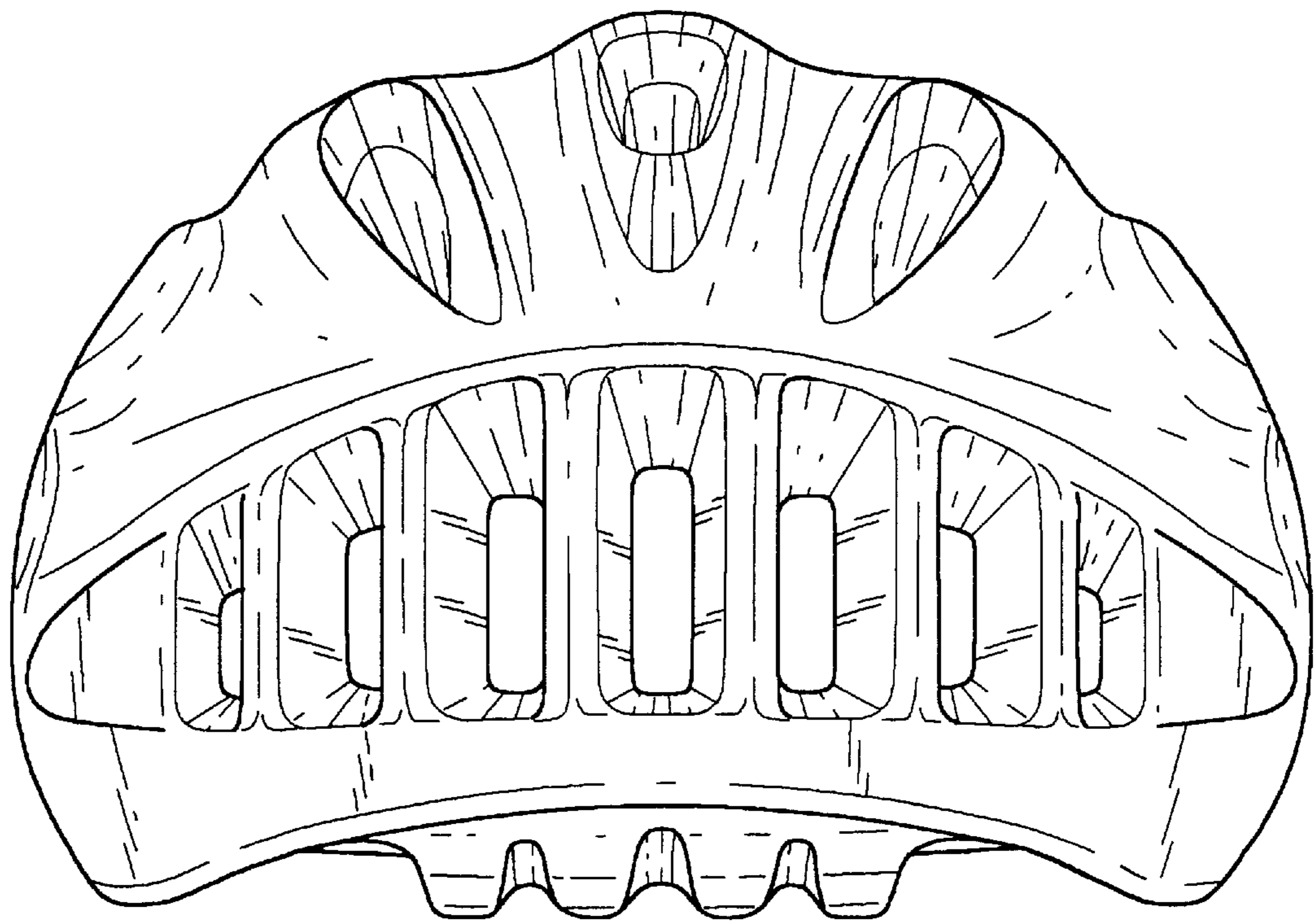


FIG. 6

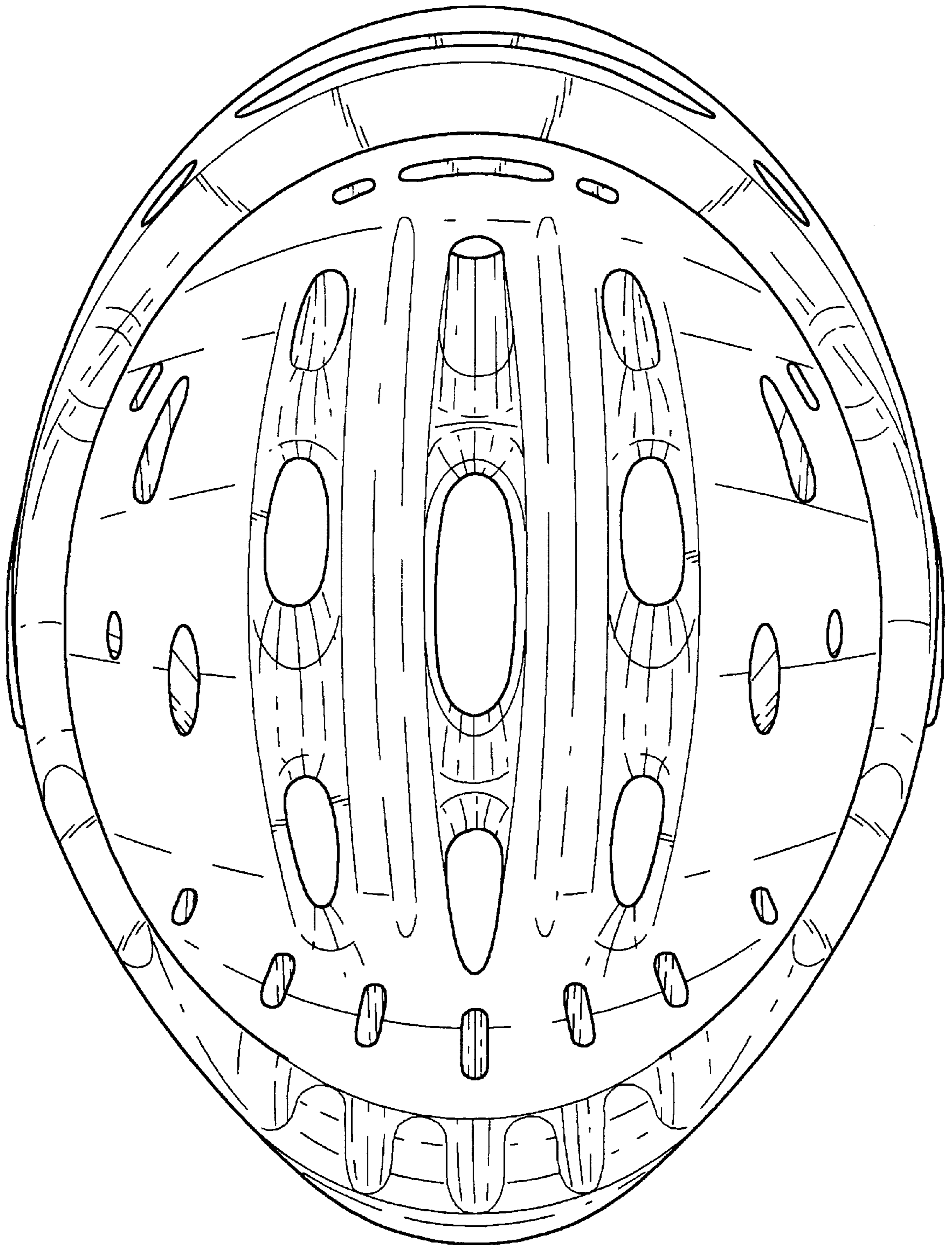


FIG. 7