



US00D415854S

United States Patent [19] Marcus

[11] Patent Number: **Des. 415,854**

[45] Date of Patent: **** Oct. 26, 1999**

[54] **HAIR DRYER STAND**

7507854 1/1977 Netherlands 219/242

[75] Inventor: **Misako Marcus**, Hartsdale, N.Y.

OTHER PUBLICATIONS

[73] Assignee: **The Gary L. Marcus Company, Inc.**,
Hartsdale, N.Y.

BEST 1986/87 Cat. p. 212—item No. 7—hair dryer stand.

[**] Term: **14 Years**

Primary Examiner—Ted Shooman

Assistant Examiner—C. Tuttle

Attorney, Agent, or Firm—Levine & Mandelbaum

[21] Appl. No.: **29/091,933**

[57] CLAIM

[22] Filed: **Aug. 10, 1998**

I claim the ornamental design for a hair dryer stand, as shown and described.

[51] **LOC (6) Cl.** **28-03**

[52] **U.S. Cl.** **D28/18**

[58] **Field of Search** D28/17, 18, 73;
D8/71; D6/512, 524–528, 534, 551, 466,
469, 475; 219/242; 248/127, 176.1, 176.2,
309.1, 346.1, 346.03, 346.5; 392/380–385;
34/90, 96, 97, 98

DESCRIPTION

[56] References Cited

U.S. PATENT DOCUMENTS

D. 199,046	9/1964	Felske	D28/18
D. 290,221	6/1987	Wilson et al.	D8/71
D. 329,507	9/1992	Assmann	D28/18
D. 371,220	6/1996	Behrens	D28/38
2,678,376	5/1954	Lockwood	392/385
3,184,195	5/1965	Wahl et al.	219/242 X
4,904,847	2/1990	Kosaka et al.	392/384
4,910,385	3/1990	Shye-Long	392/384
5,195,253	3/1993	Poumey et al.	392/385 X

FIG. 1 is a perspective view from the top, front, and right side of a hair dryer stand showing my new design;

FIG. 2 is a top view thereof;

FIG. 3 is a front elevational view thereof;

FIG. 4 is a side elevational view thereof the side opposite appearing the same;

FIG. 5 is a rear view thereof;

FIG. 6 is a bottom view thereof;

FIG. 7 is a perspective view from the bottom and front; and, FIG. 8 is an exploded perspective view from the top, front, and right side showing the two parts of the stand separated.

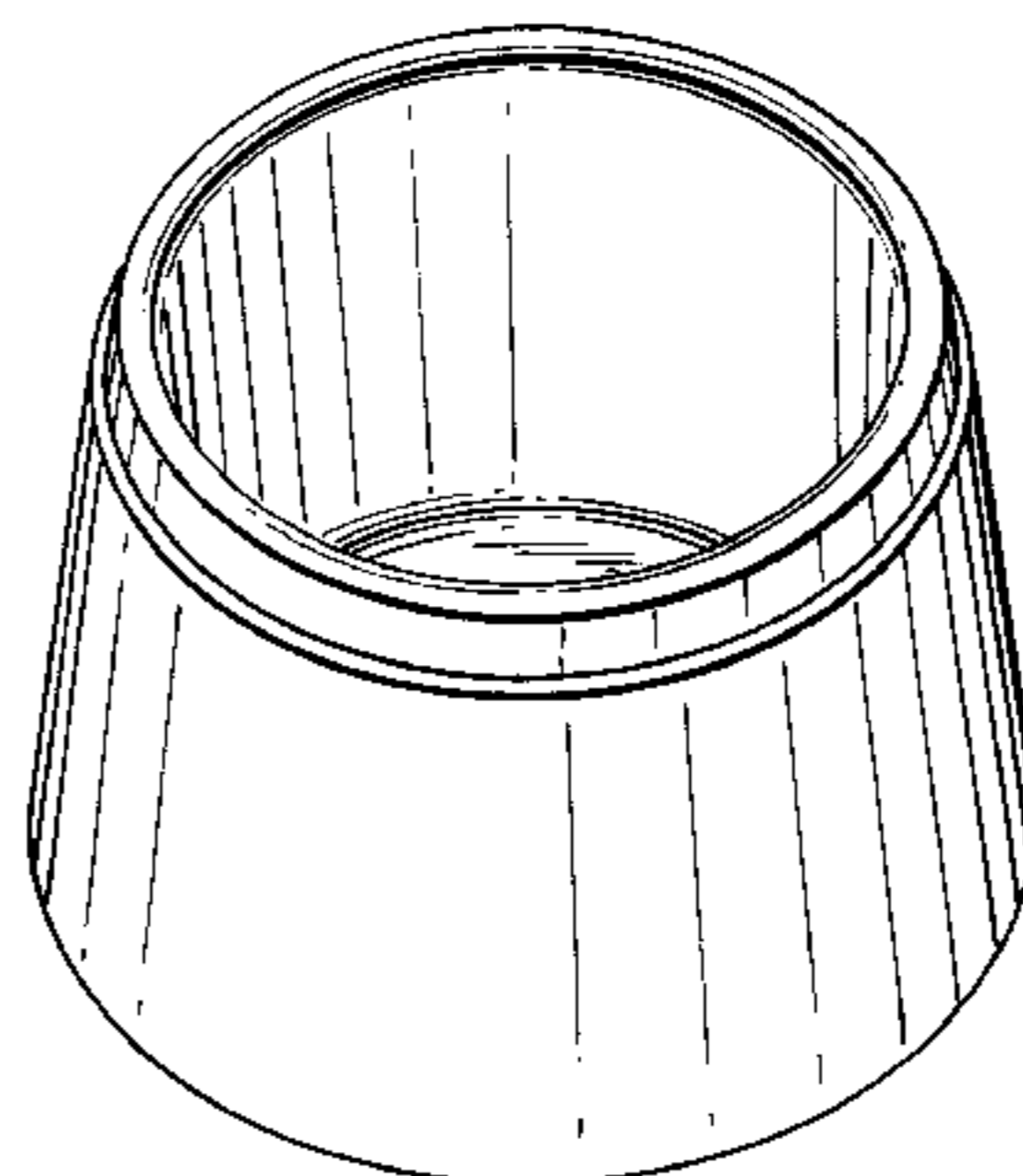
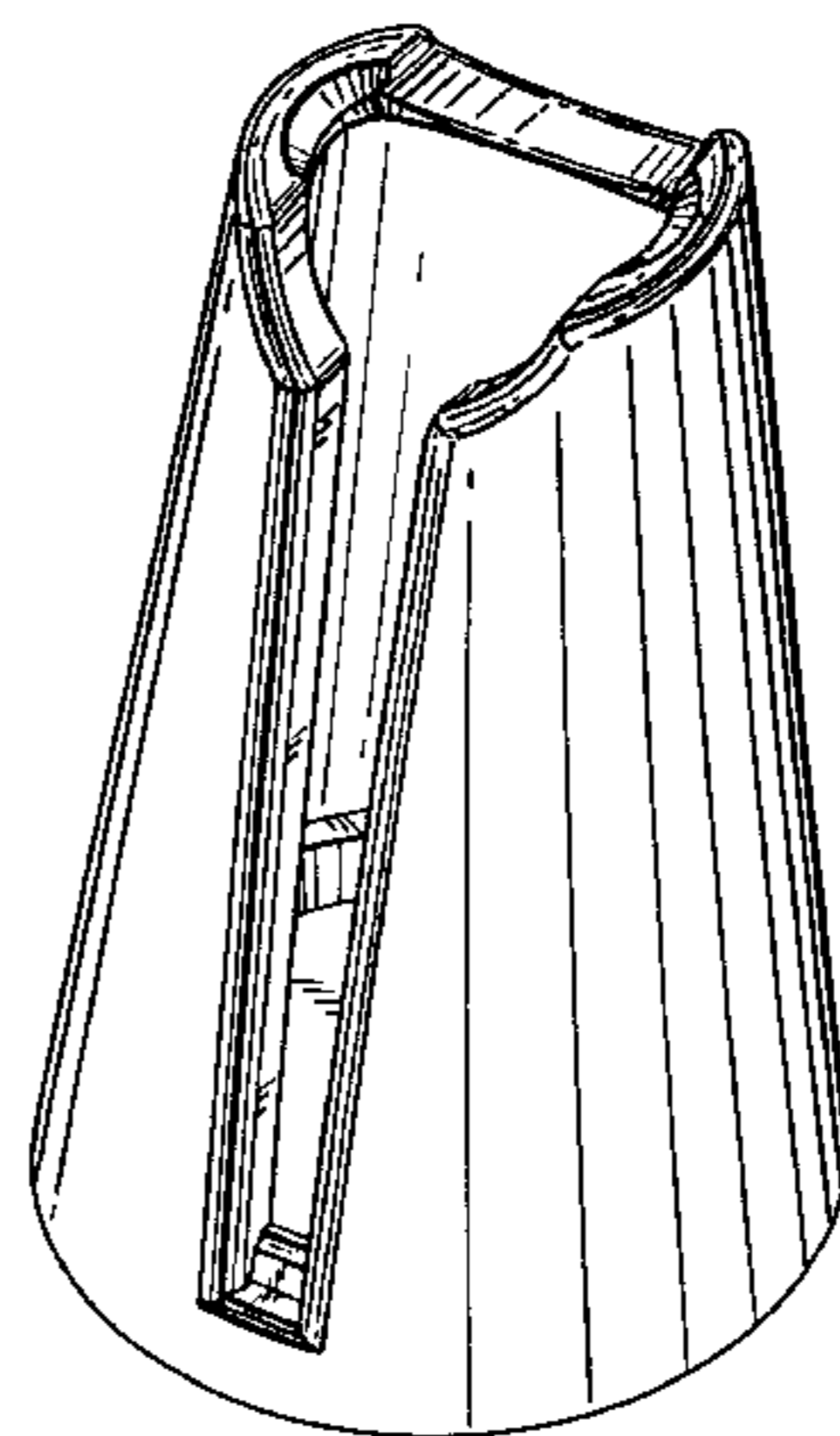
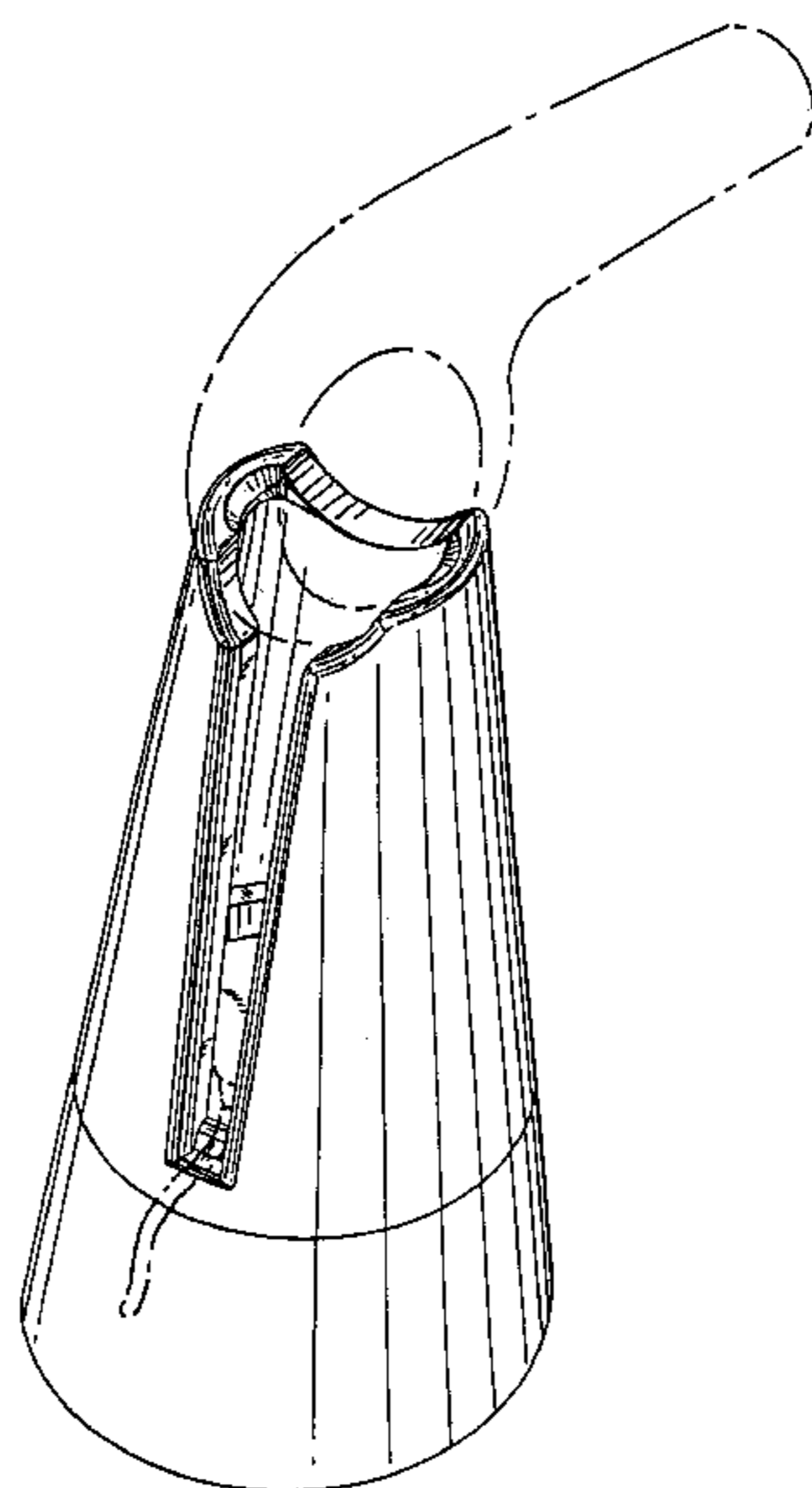
The broken line showing of the hair dryer is for illustrative purposes only and forms no part of the claimed design.

The portions of the stand that are not shown in the drawings form no part of the claimed design.

FOREIGN PATENT DOCUMENTS

1310403	10/1962	France	D28/13
---------	---------	--------	-------	--------

1 Claim, 5 Drawing Sheets



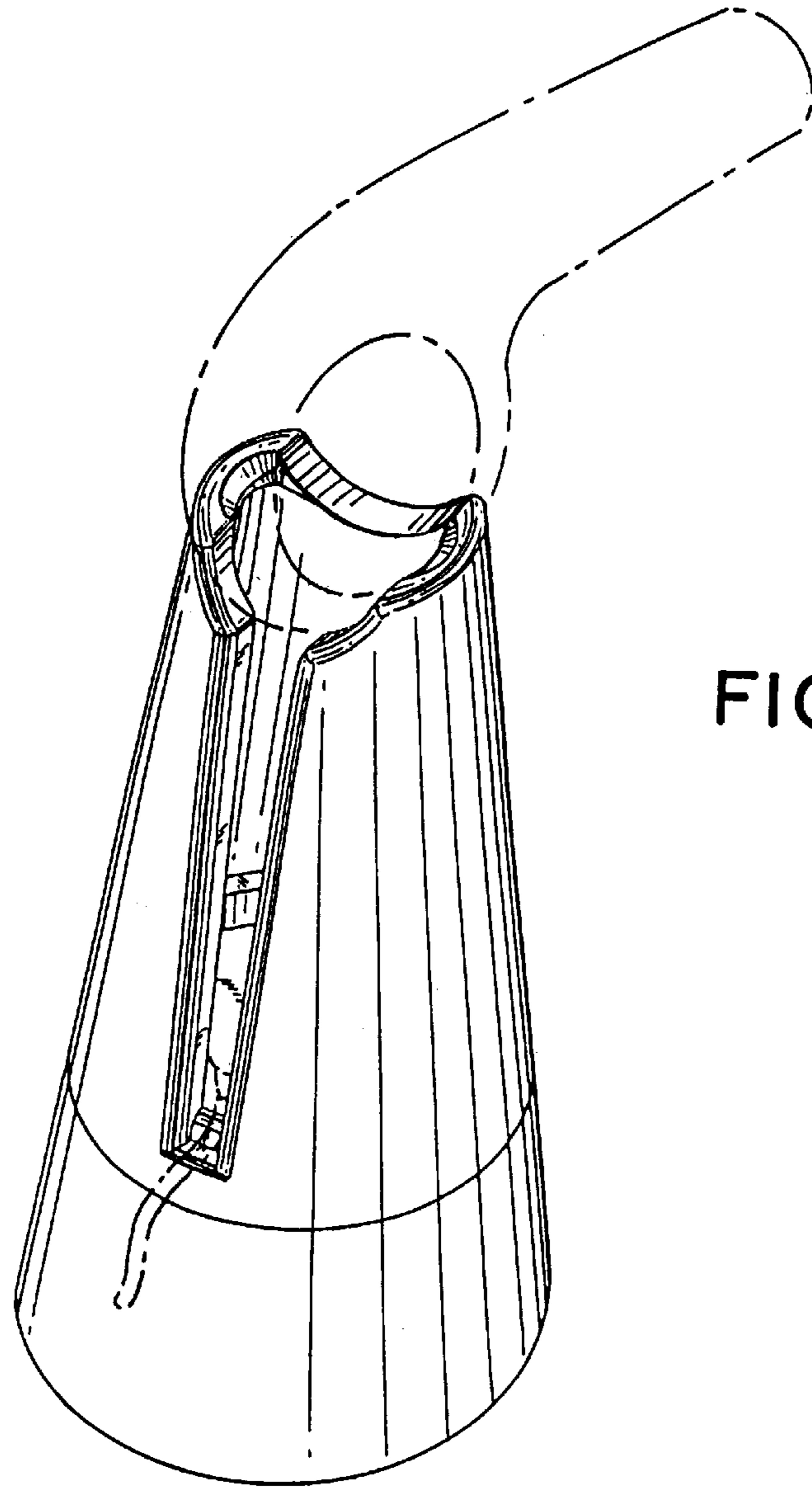


FIG. 1

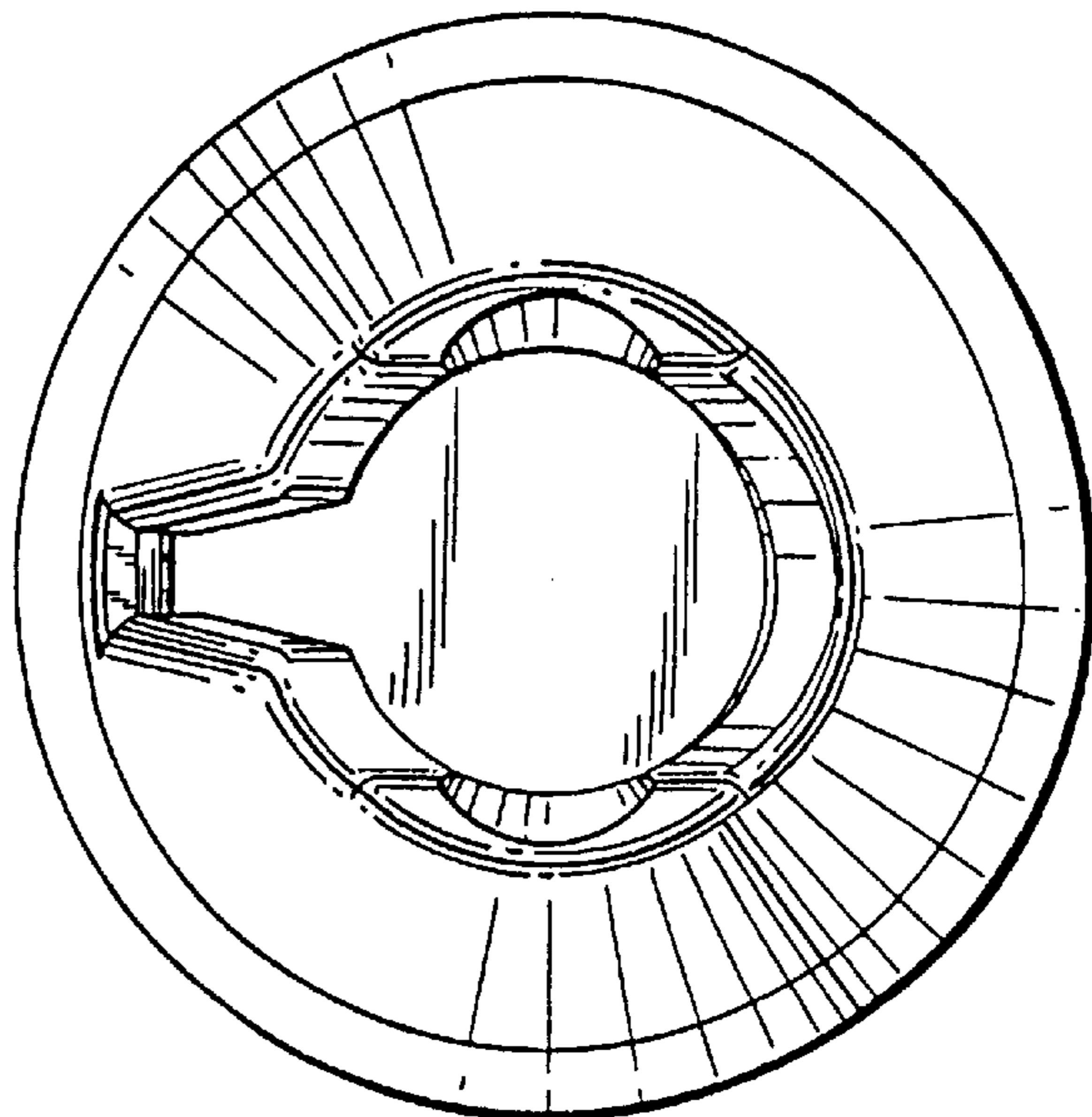


FIG. 2

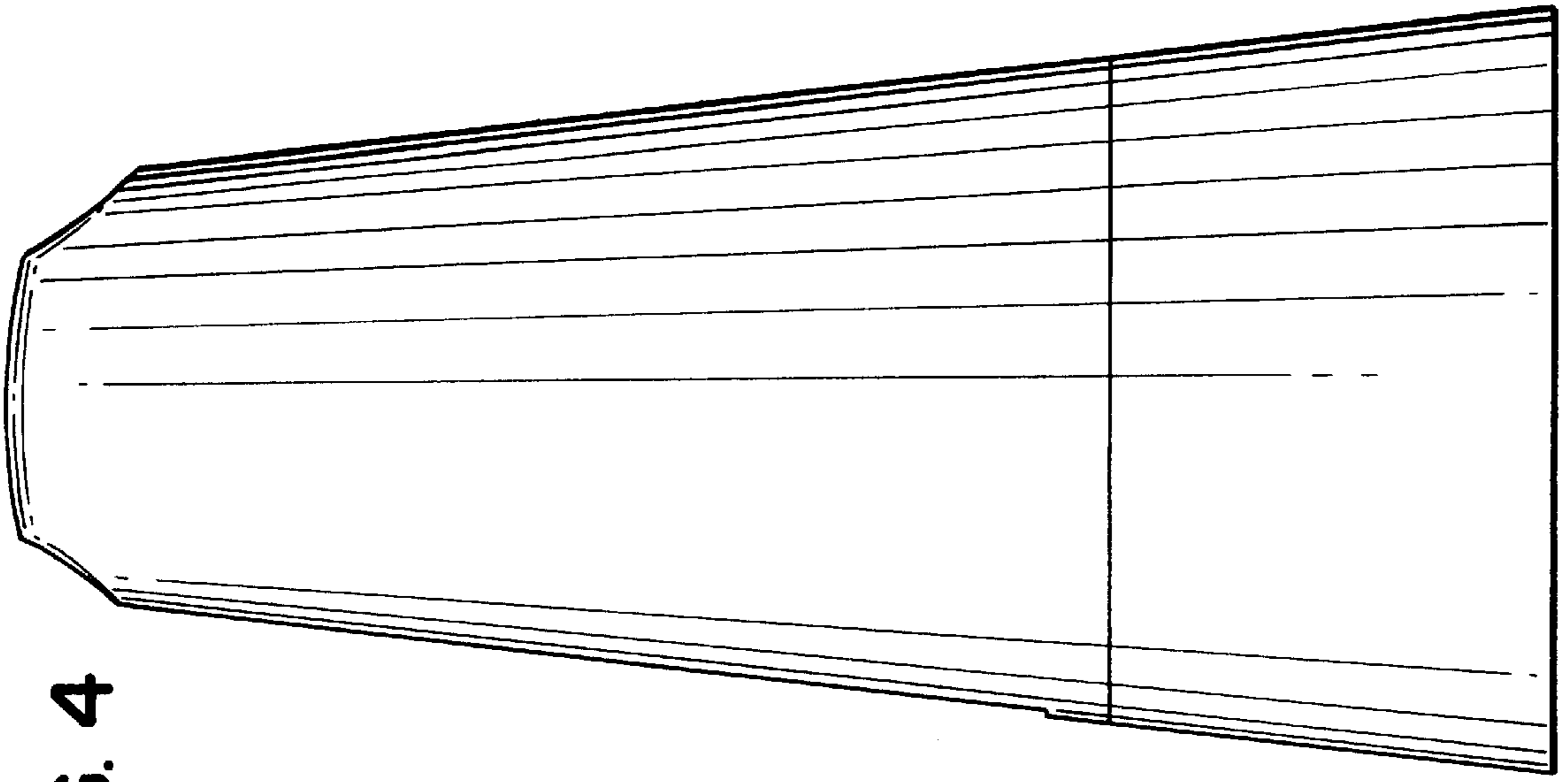


FIG. 4

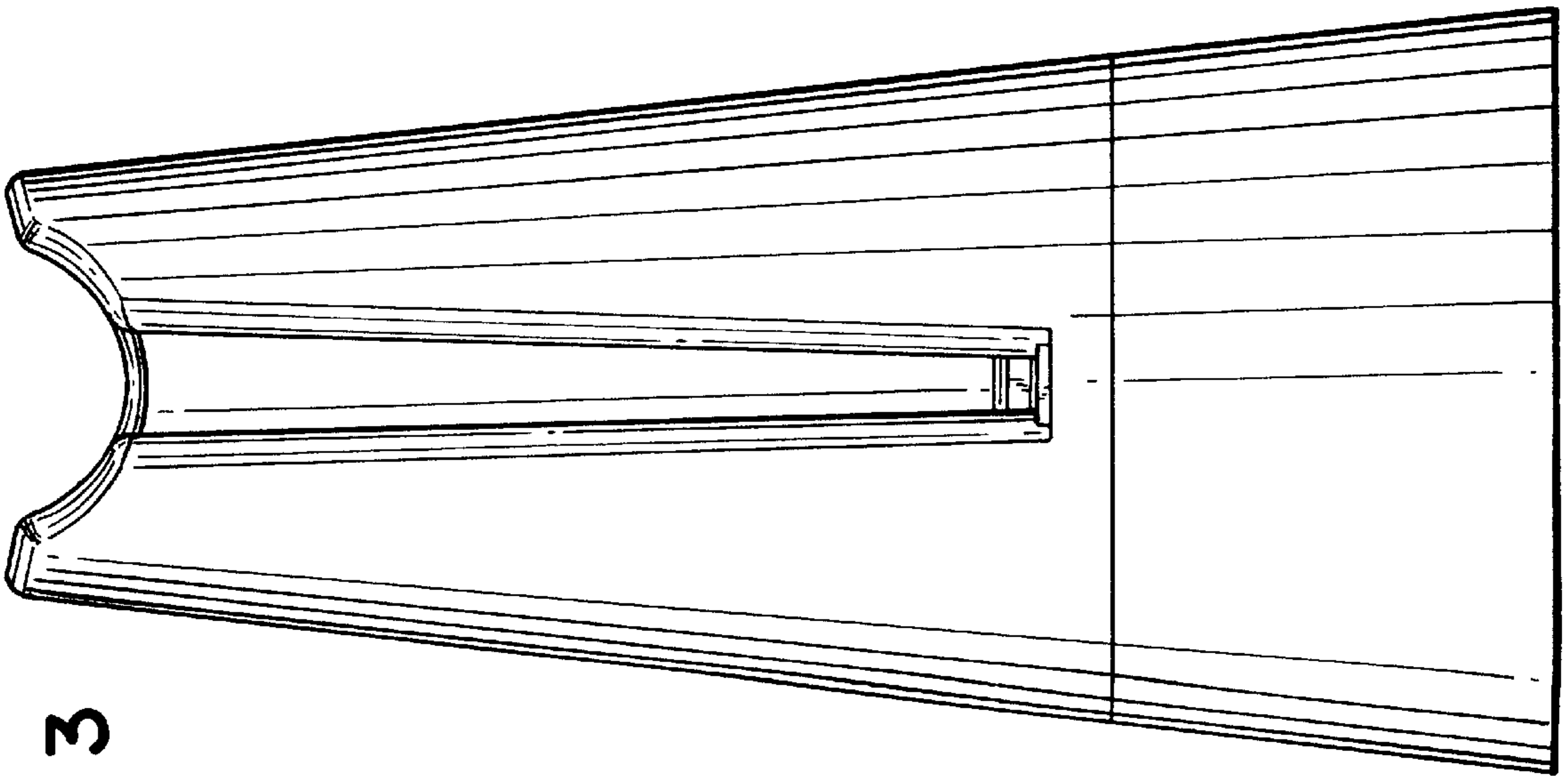


FIG. 3

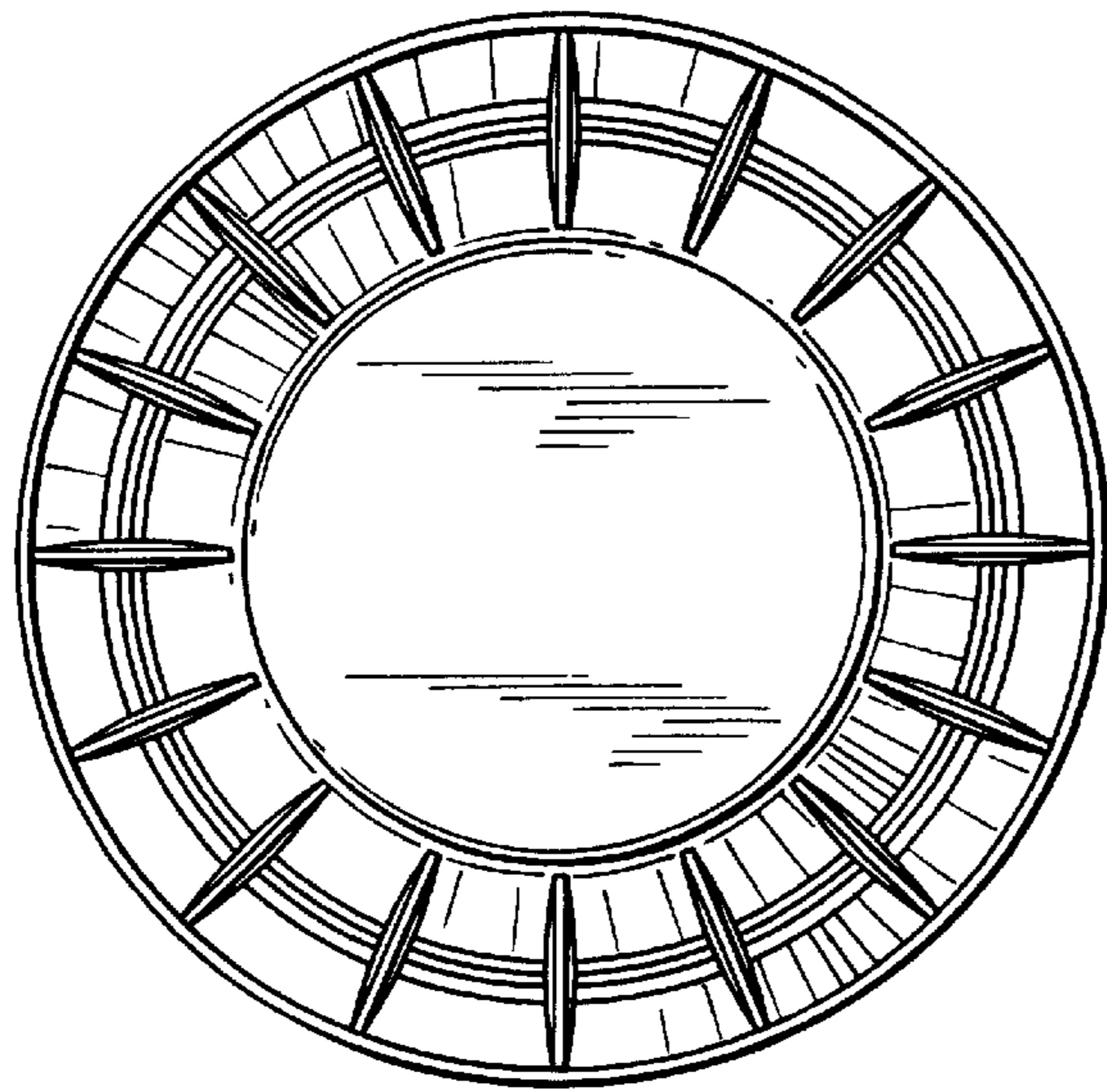


FIG. 6

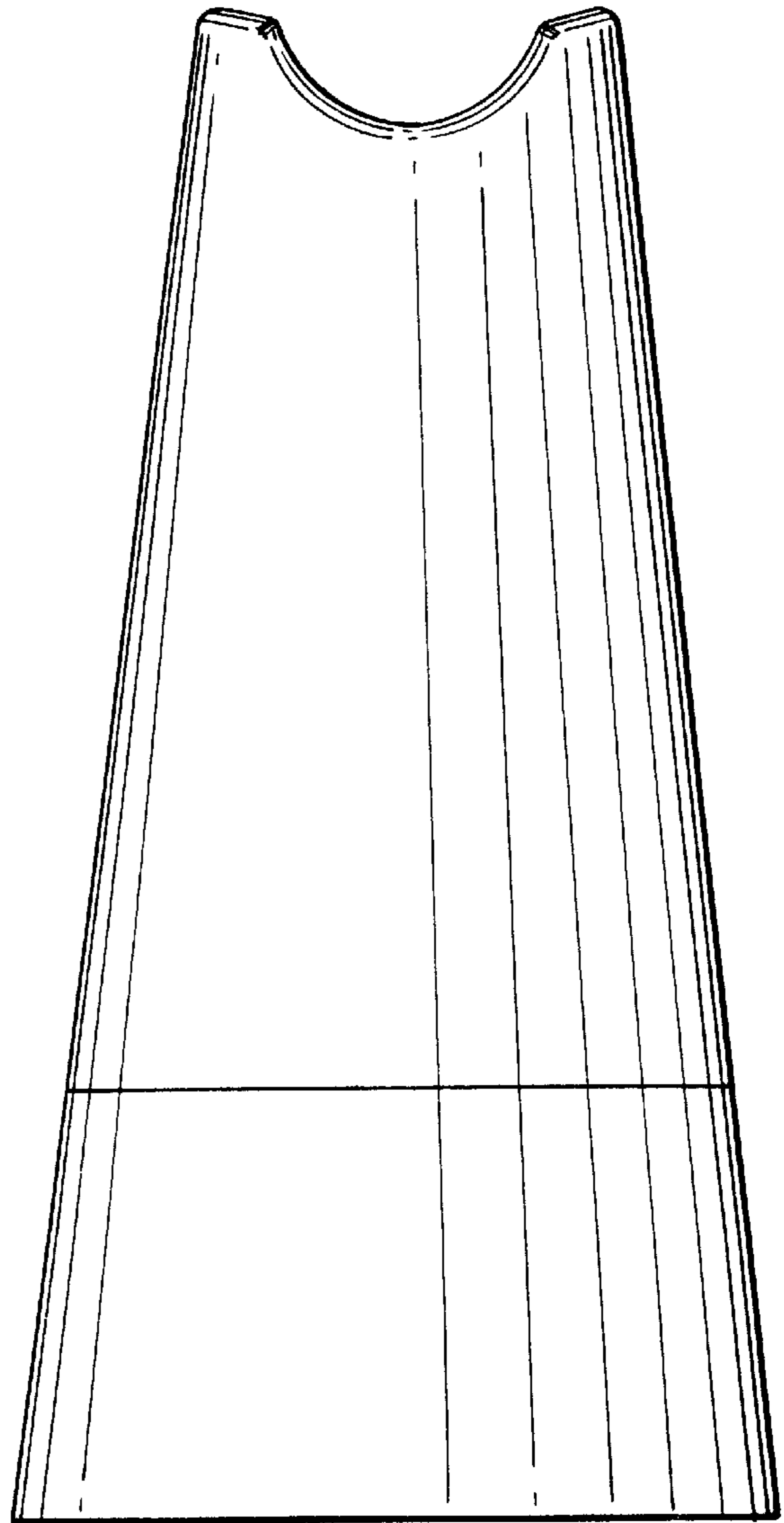


FIG. 5

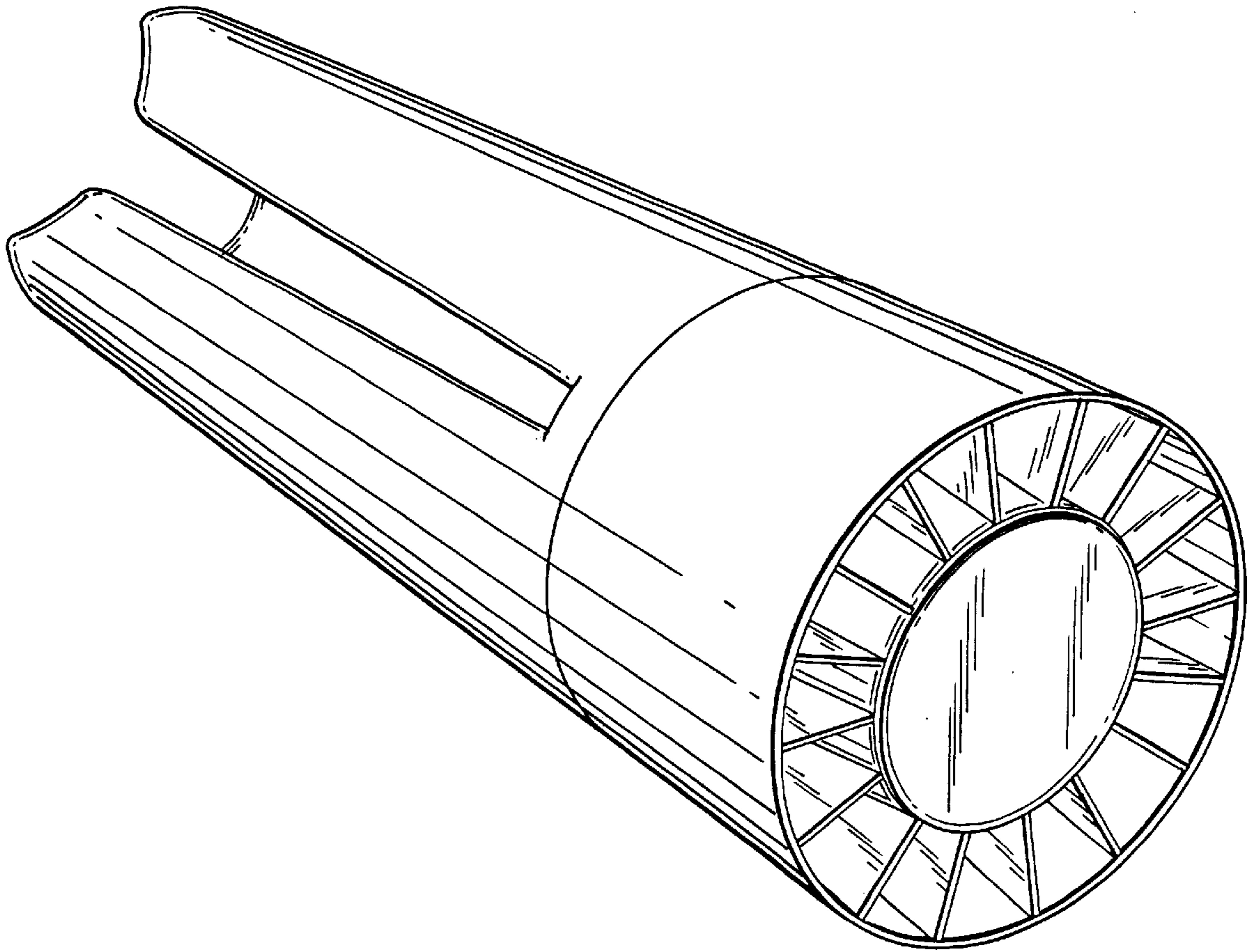


FIG. 7

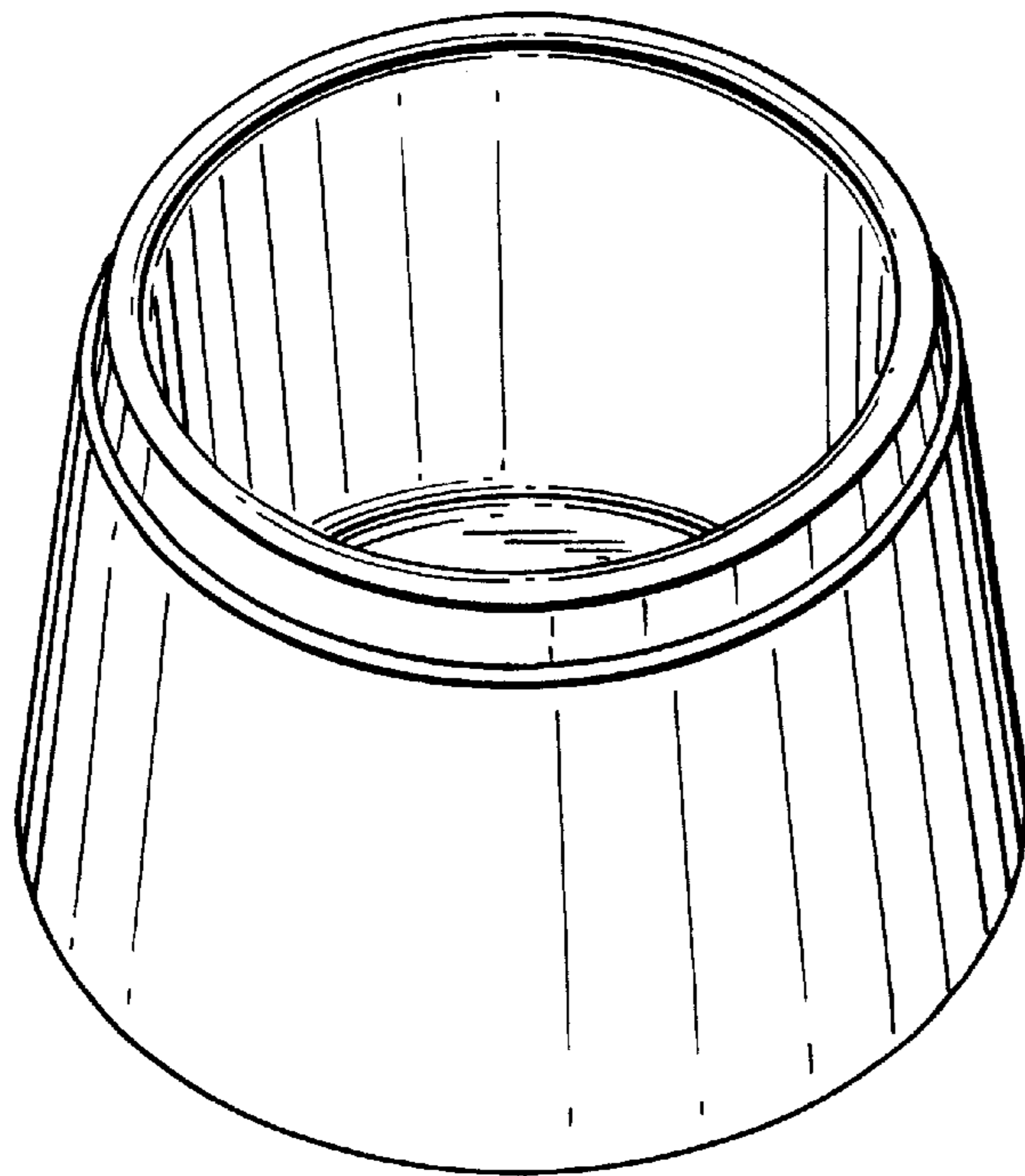
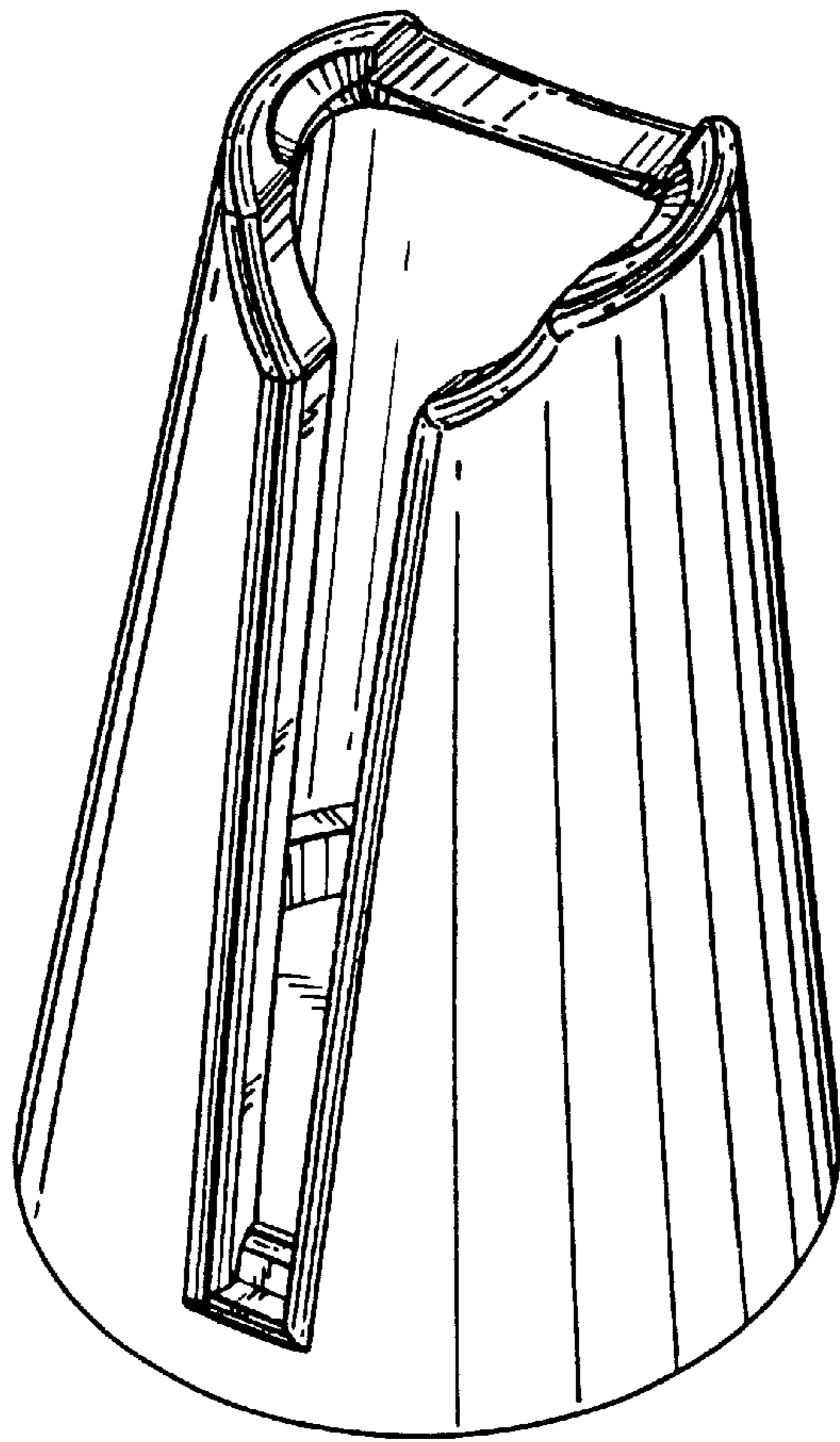


FIG. 8