



US00D415840S

United States Patent [19]

[11] **Patent Number: Des. 415,840**

Lamond et al.

[45] **Date of Patent: ** Oct. 26, 1999**

[54] **CENTRIFUGAL VACCUM CONCENTRATOR**

D. 303,570 9/1989 Eberle D24/219

[75] Inventors: **Donald R. Lamond**, Lynbrook; **John Moldauer**, Brooklyn; **James T. Collins, III**, New York; **Michael Glater**, Brooklyn, all of N.Y.

Primary Examiner—Doris Clark
Assistant Examiner—I Simmons
Attorney, Agent, or Firm—Morrison Law Firm

[73] Assignee: **Savant Instruments, Inc.**, Holbrook, N.Y.

[57] **CLAIM**

[**] Term: **14 Years**

The ornamental design for a centrifugal vacuum concentrator, as shown and described.

[21] Appl. No.: **29/086,302**

DESCRIPTION

[22] Filed: **Apr. 9, 1998**

FIG. 1 is a perspective view of a centrifugal vacuum concentrator showing our design;

[51] **LOC (6) Cl.** **24-01**

FIG. 2 is a top plan view thereof;

[52] **U.S. Cl.** **D24/219**

FIG. 3 is a front elevational view thereof;

[58] **Field of Search** D24/219; 422/72, 422/64; 494/40, 26, 9, 8

FIG. 4 is a left side elevational view thereof;

FIG. 5 is a right side elevational view thereof;

FIG. 6 is a rear elevational view thereof; and,

FIG. 7 is a bottom plan view thereof.

[56] **References Cited**

U.S. PATENT DOCUMENTS

D. 303,509 9/1989 Eberle D24/219

1 Claim, 7 Drawing Sheets

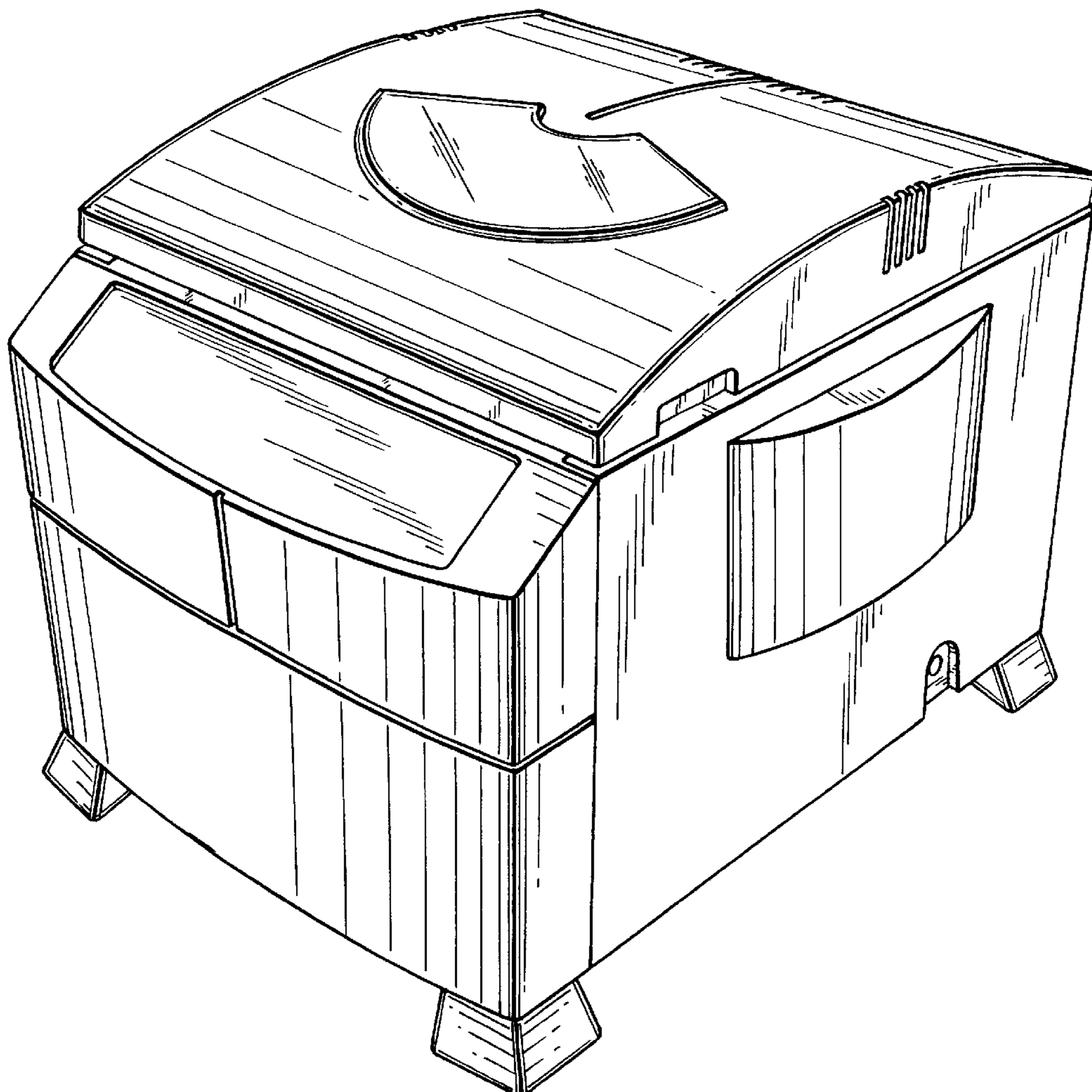
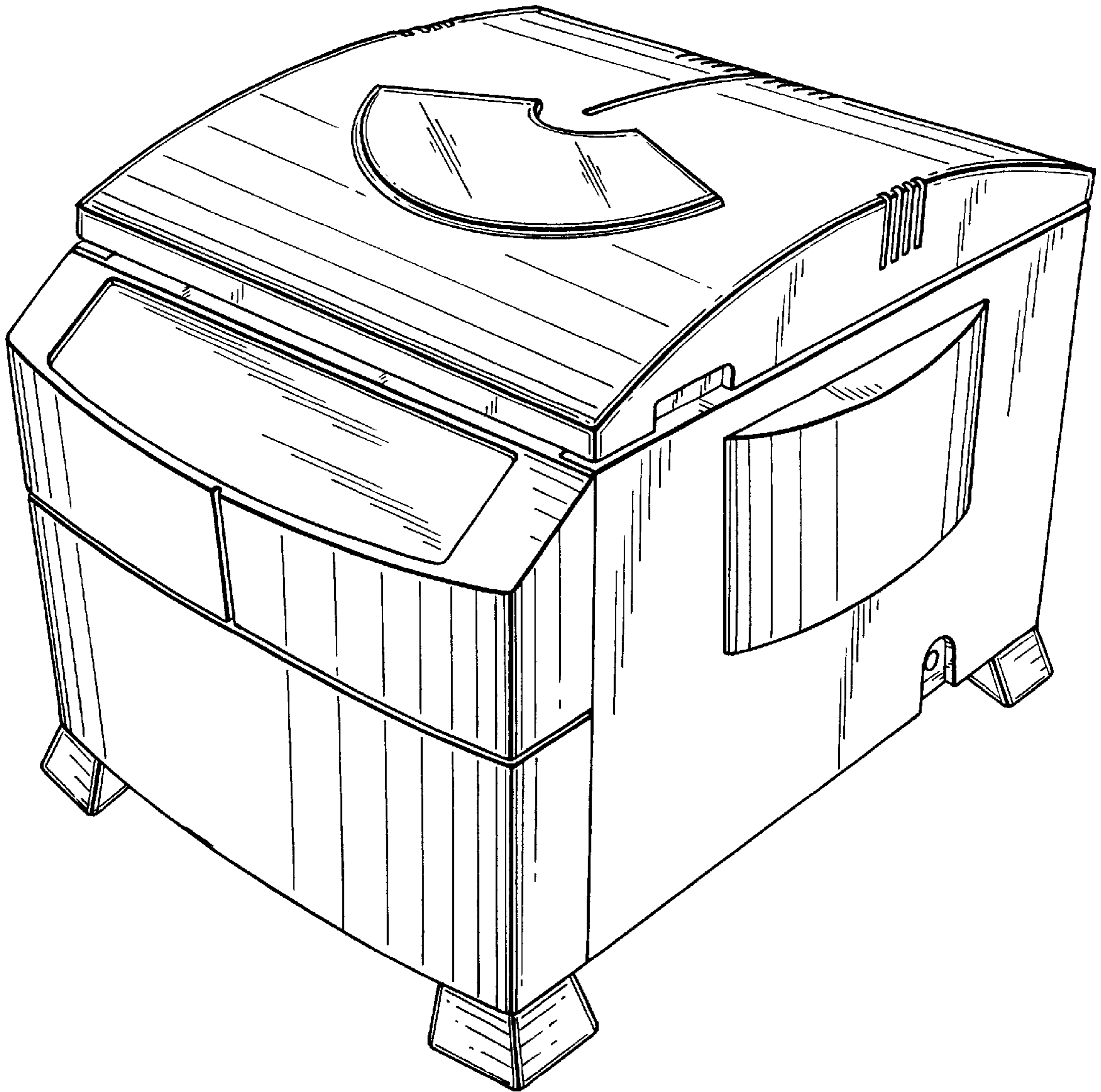


FIG. 1



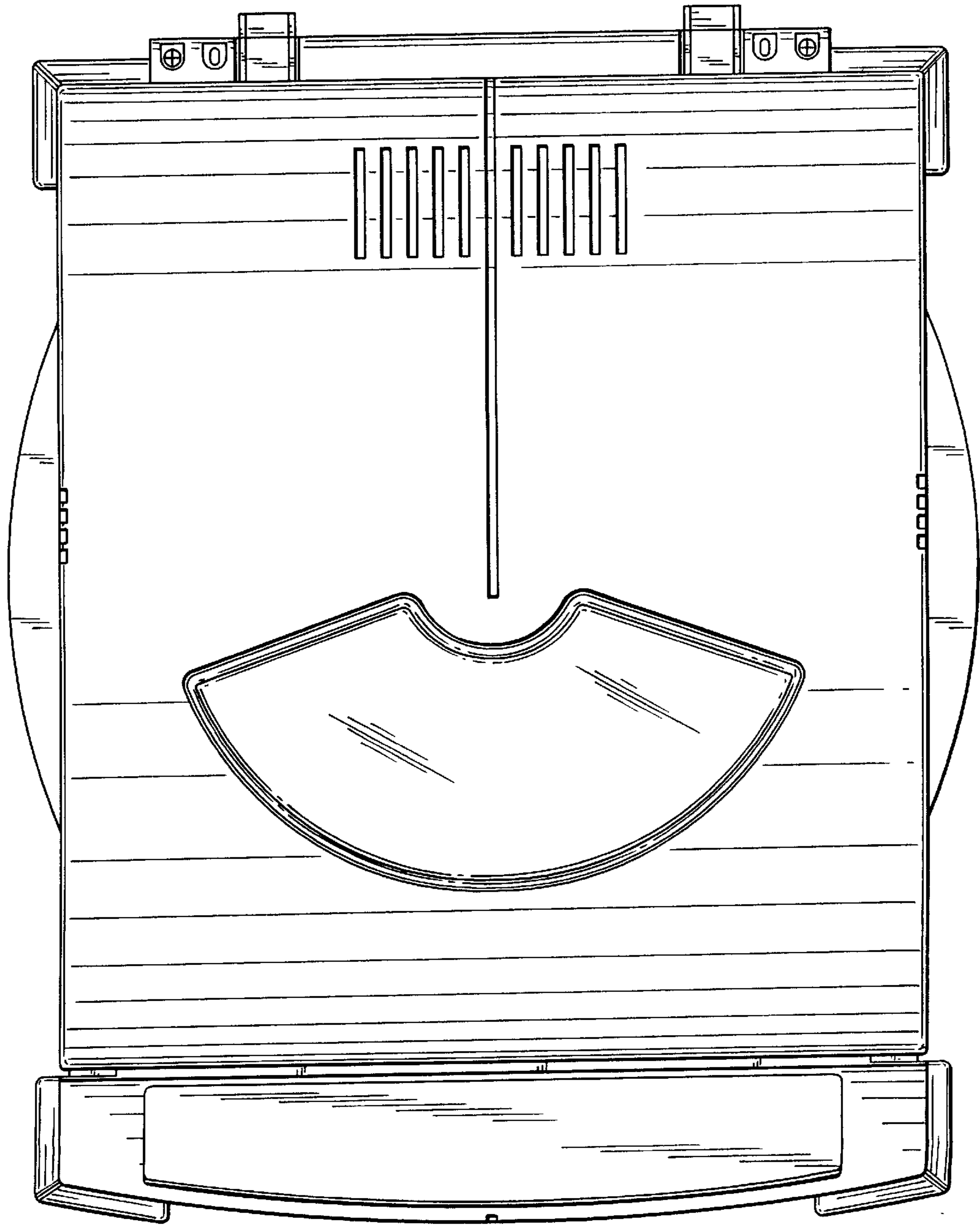


FIG.2

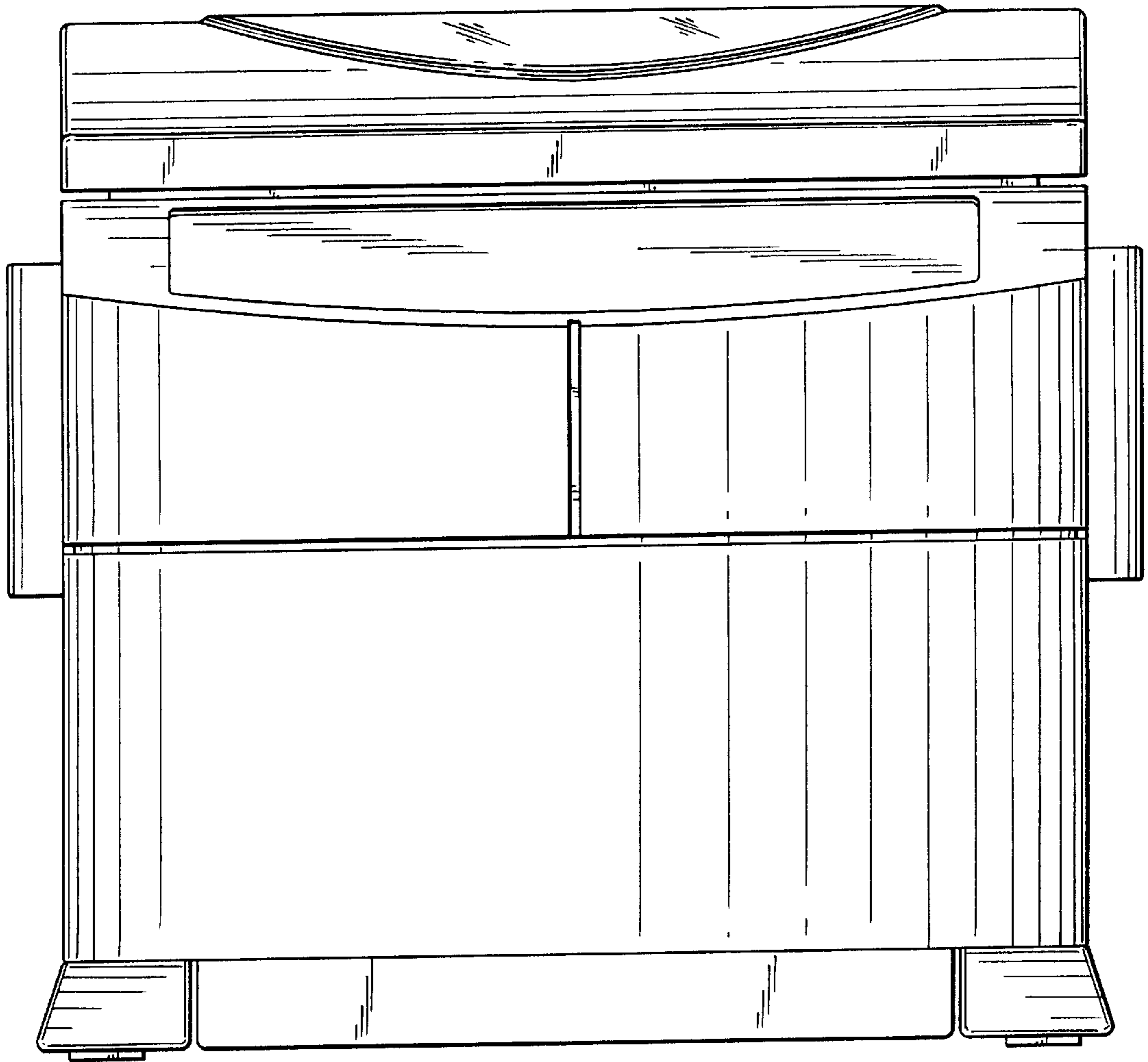


FIG. 3

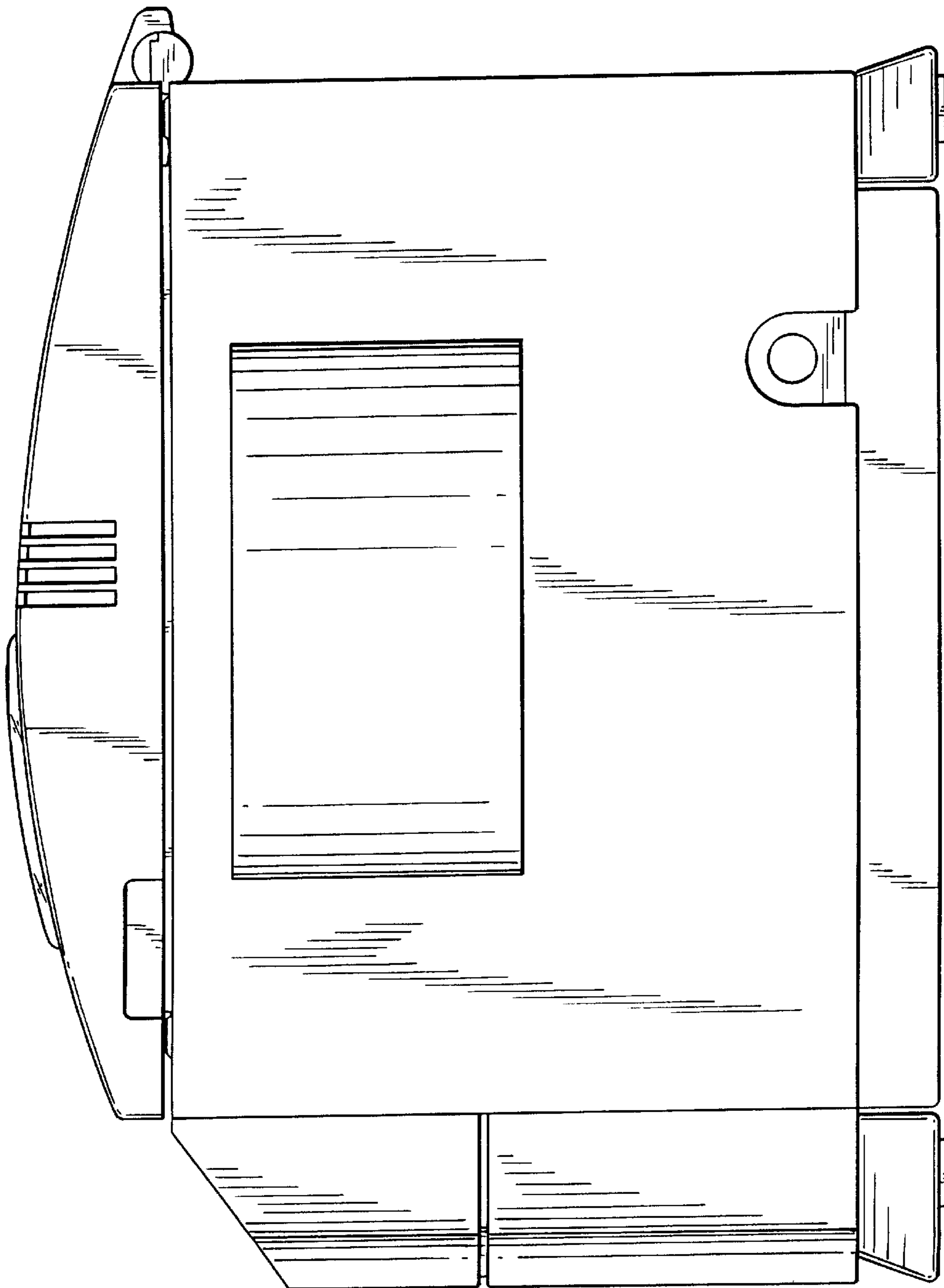


FIG.4

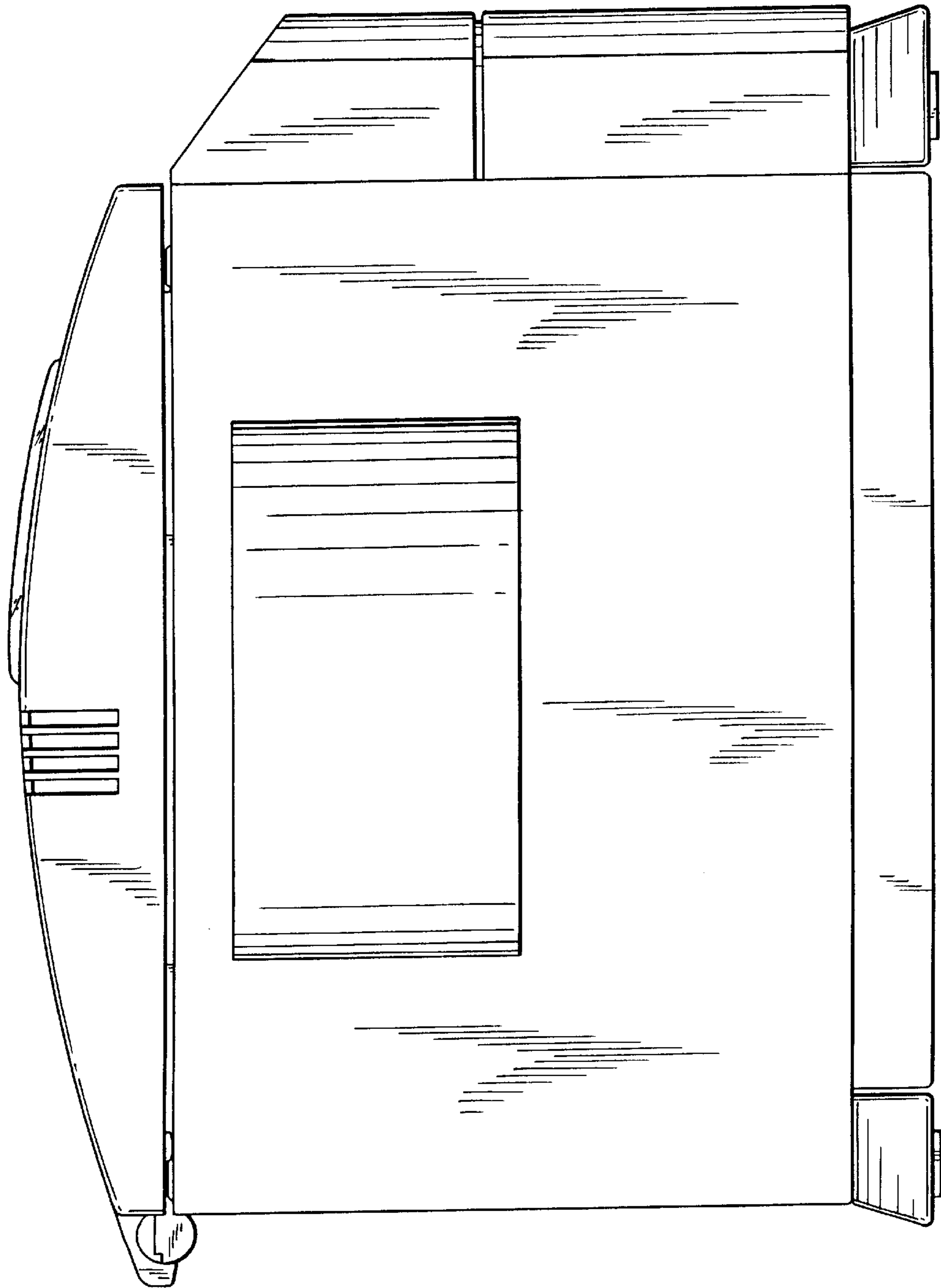


FIG.5

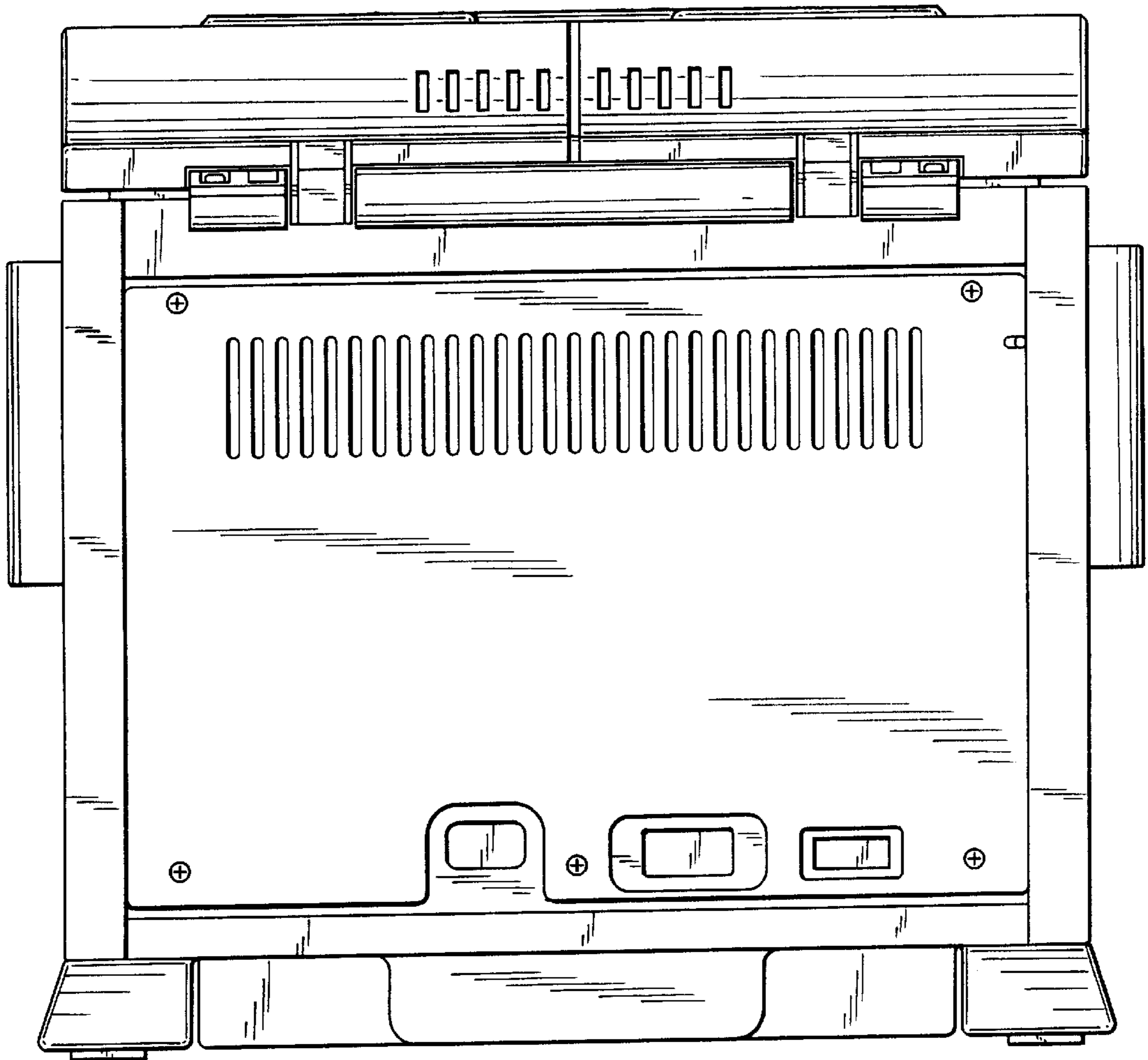


FIG.6

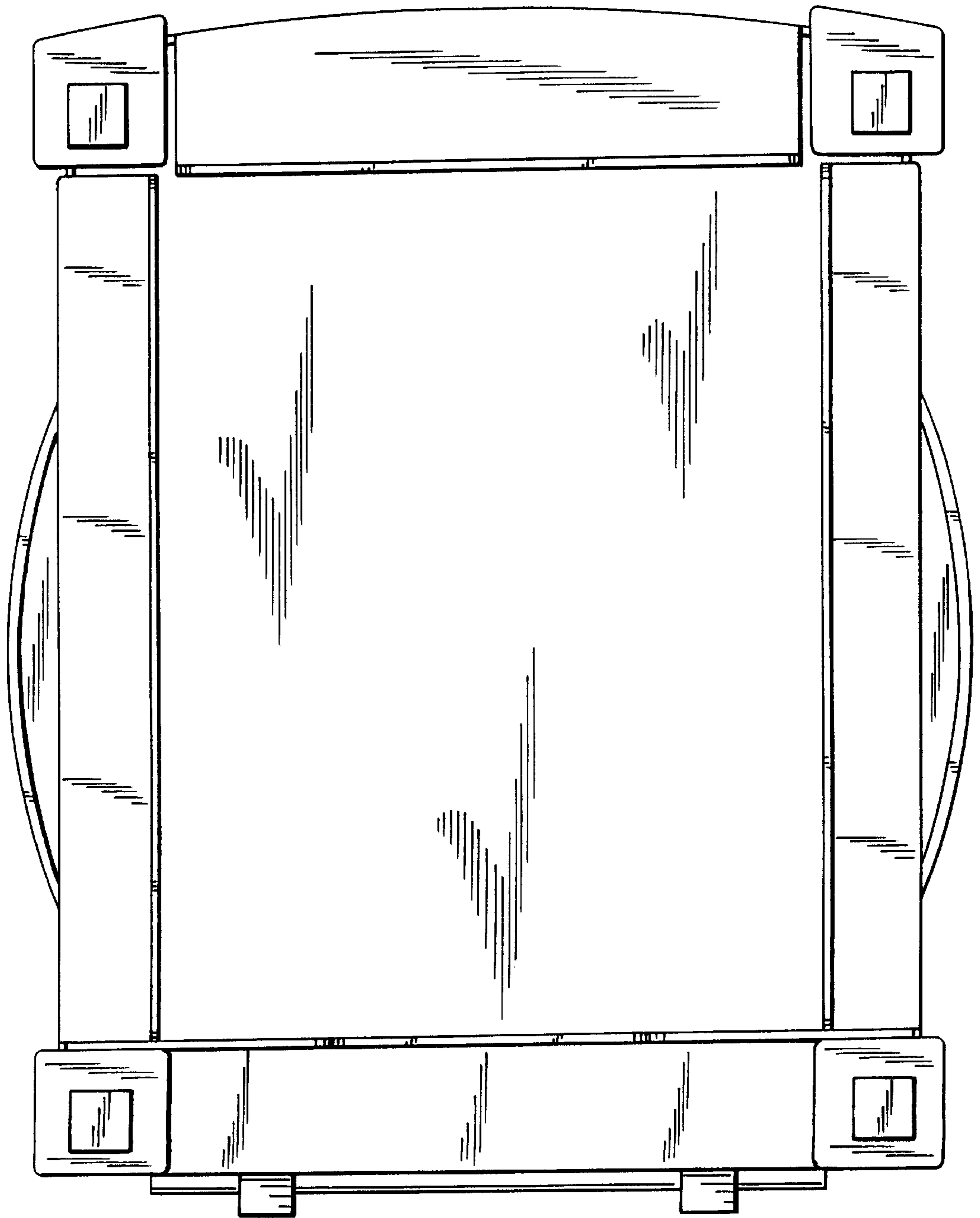


FIG. 7