



US00D415839S

United States Patent [19]

Huber et al.

[11] Patent Number: Des. 415,839

[45] Date of Patent: ** Oct. 26, 1999

[54] DIAGNOSTIC FLOW THROUGH CELL DEVICE

[75] Inventors: Wolfgang Huber, Lieboch; Andreas Dolezal, Graz; Bernhard Schaffar, Graz; Christoph Ritter, Graz, all of Austria

[73] Assignee: AVL Medical Instruments AG, Schaffhausen, Switzerland

[**] Term: 14 Years

[21] Appl. No.: 29/070,395

[22] Filed: Apr. 30, 1997

[30] Foreign Application Priority Data

Oct. 30, 1996 [AT] Austria 1906/96

[51] LOC (6) Cl. 24-04

[52] U.S. Cl. D24/216; D24/224

[58] Field of Search D24/231, 232, D24/169, 216, 224; 204/403, 416; D10/81; 435/283.1, 287.1, 288.3, 288.4, 288.5, 305.1, 305.2; 422/108, 103, 50, 56, 58, 59, 60, 61

[56] References Cited

U.S. PATENT DOCUMENTS

D. 221,001 6/1971 Sylvester et al. D10/81
D. 334,065 3/1993 Collister D24/232

D. 367,014 2/1996 D'Orazio et al. D10/81
D. 369,216 4/1996 Michinski et al. D24/169
D. 375,799 11/1996 Levia et al. D24/224
5,064,618 11/1991 Baker et al. 204/416
5,141,868 8/1992 Shanks et al. 204/403
5,670,031 9/1997 Hintsche et al. 204/416

Primary Examiner—Louis S. Zarfaz
Assistant Examiner—G. Andoll
Attorney, Agent, or Firm—Watson Cole Grindle Watson, P.L.L.C.

[57] CLAIM

The ornamental design for a diagnostic flow through cell device, as shown and described.

DESCRIPTION

FIG. 1 is a perspective top view of a first embodiment of our diagnostic flow through cell device with twelve electrical connections,

FIG. 2 is a top plan view thereof,

FIG. 3 is a left side view thereof,

FIG. 4 is a front view thereof,

FIG. 5 is a rear view thereof,

FIG. 6 is a bottom plan view thereof,

FIG. 7 is a right side view thereof,

FIG. 8 is a perspective view of a second embodiment with six electrical connections,

FIG. 9 is a top plan view thereof; and,

FIG. 10 is a bottom plan view thereof, the remaining front, rear and side views being identical to the first embodiment.

1 Claim, 4 Drawing Sheets

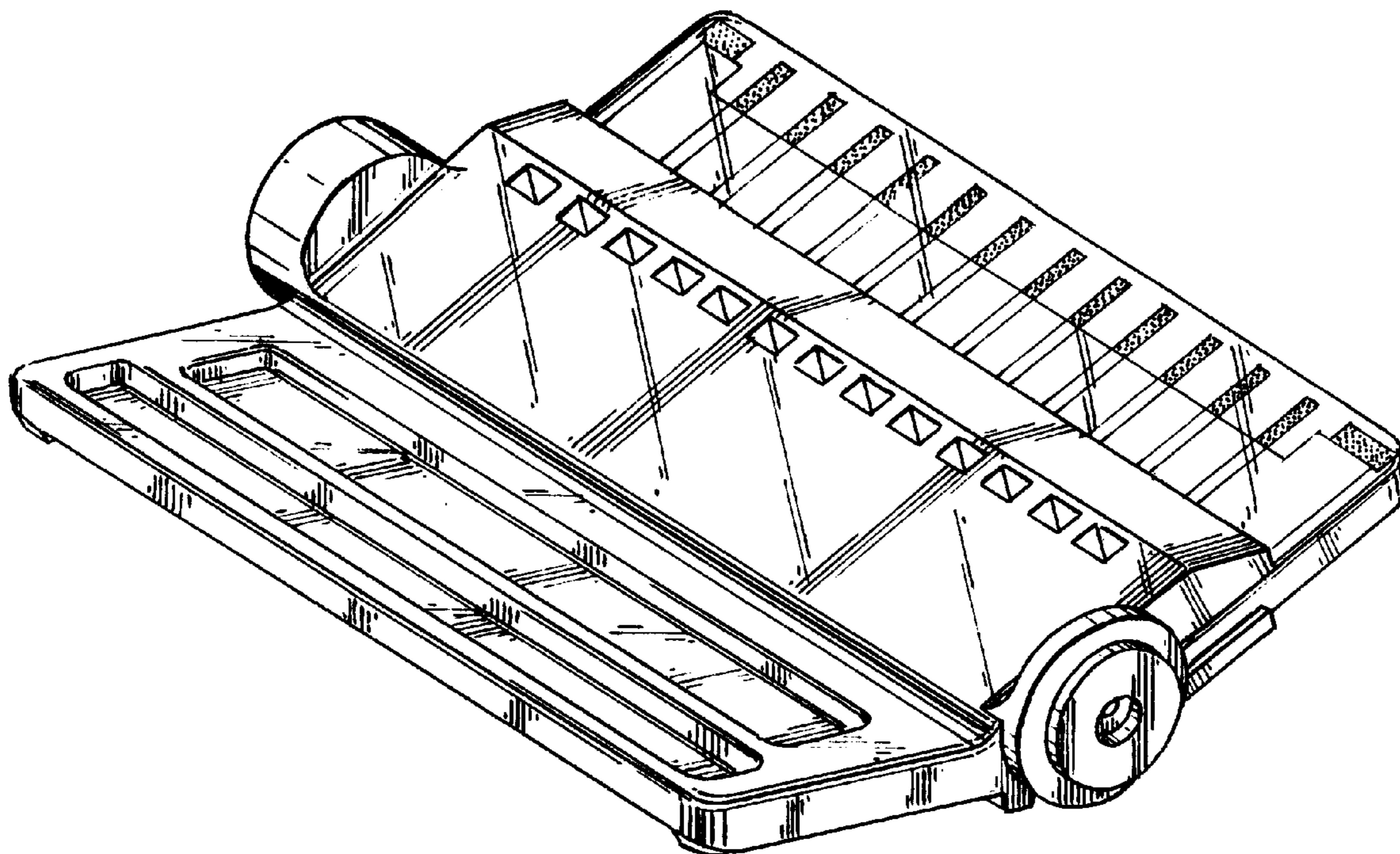


FIG. 1

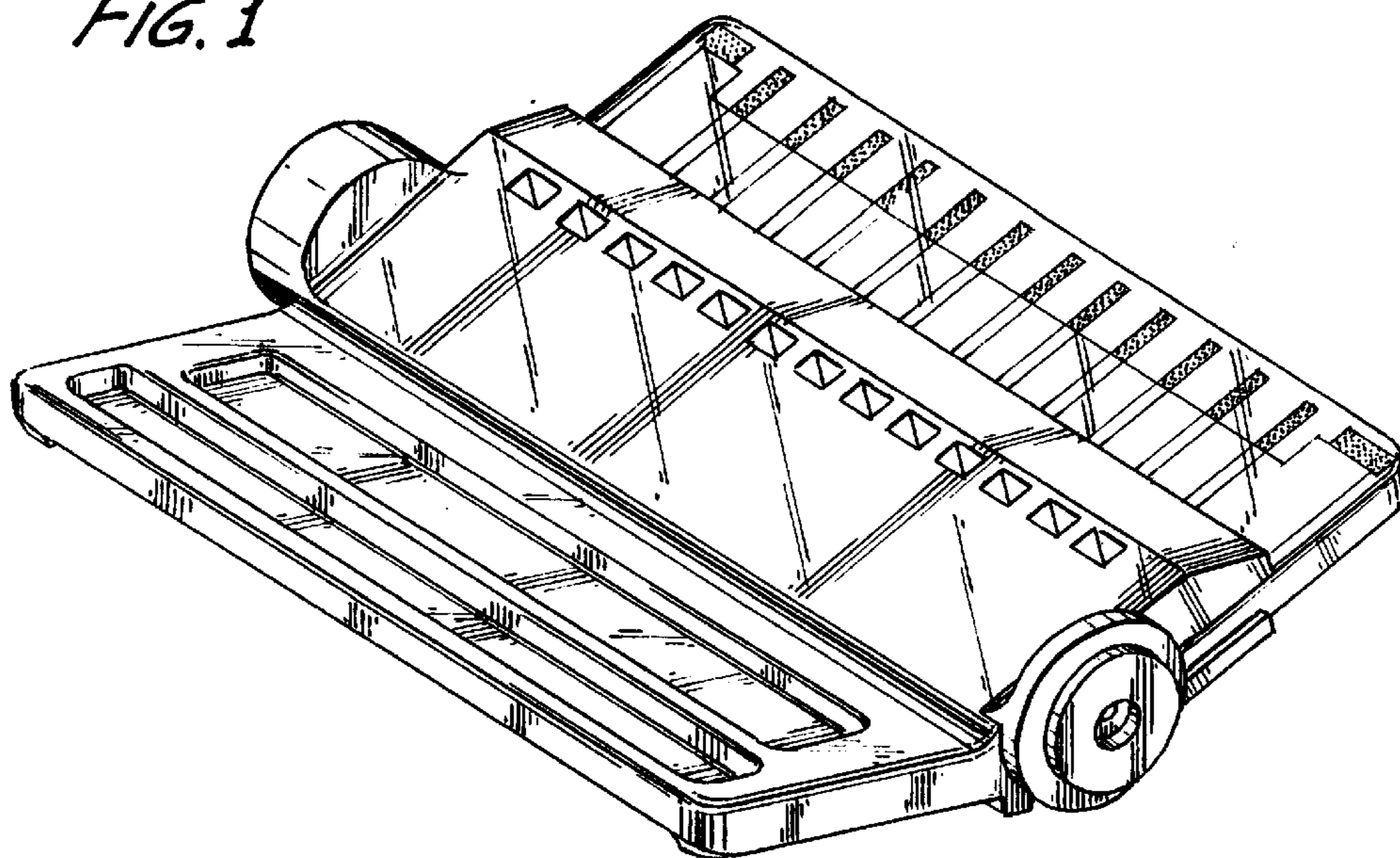


FIG. 2

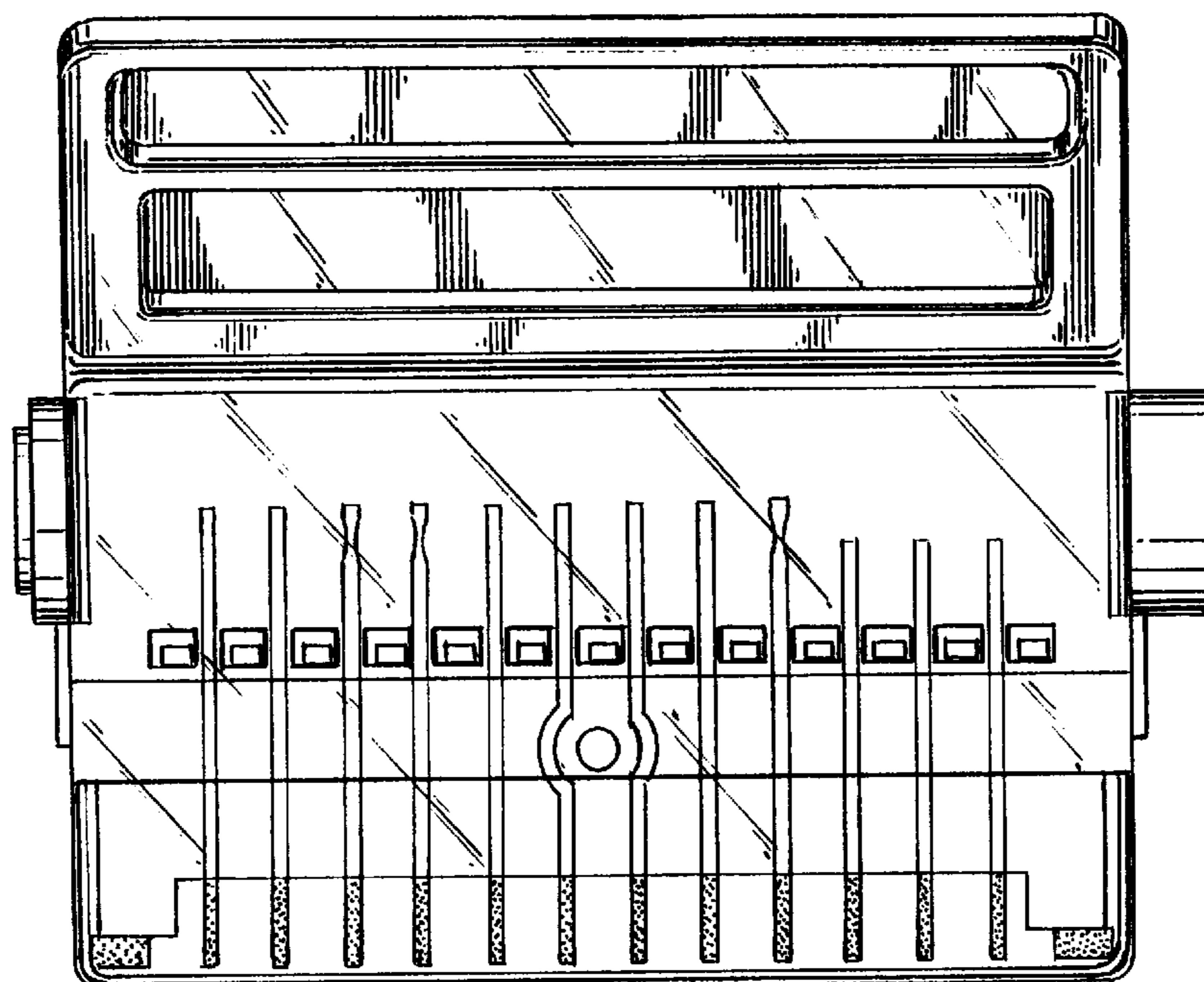


FIG. 3

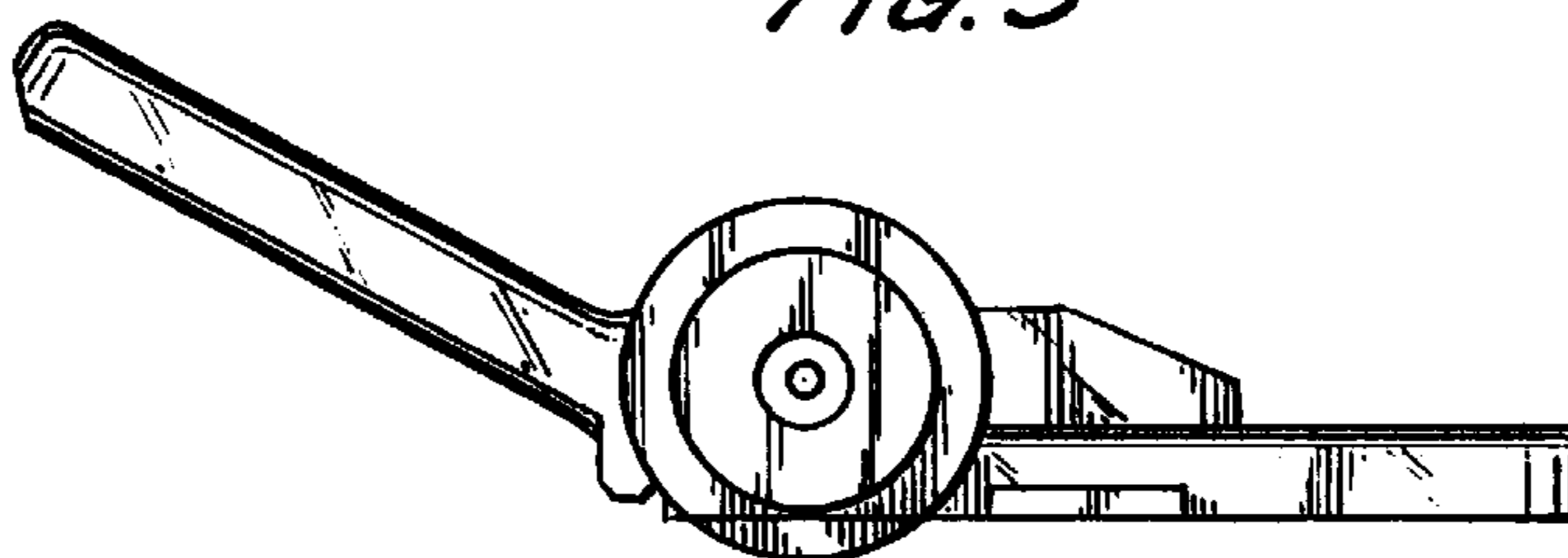


FIG. 4

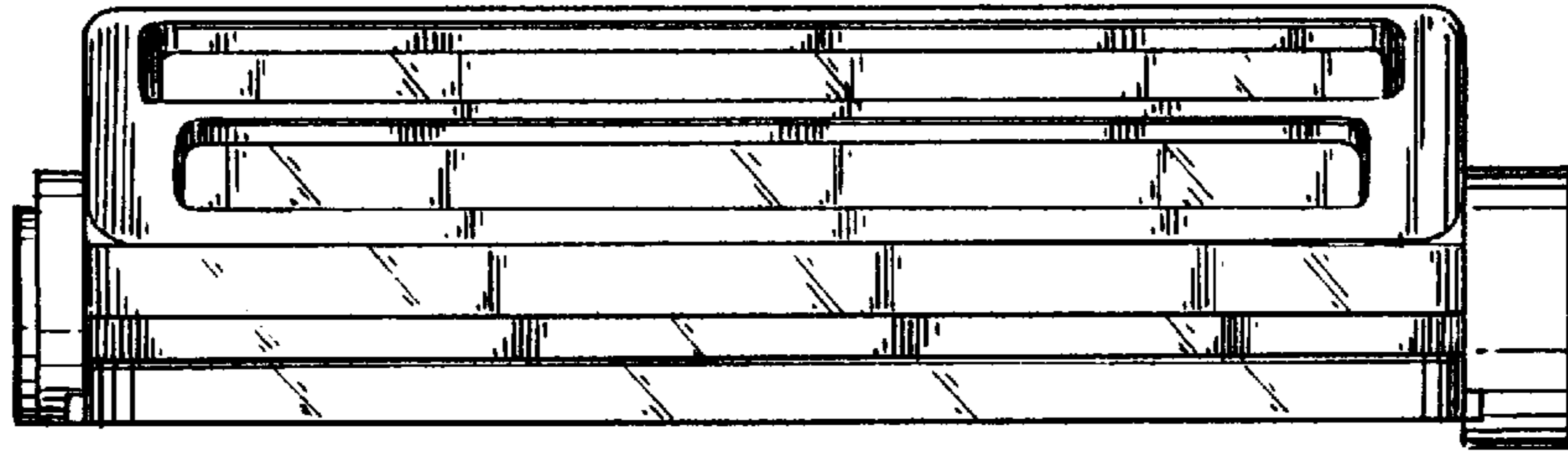


FIG. 5

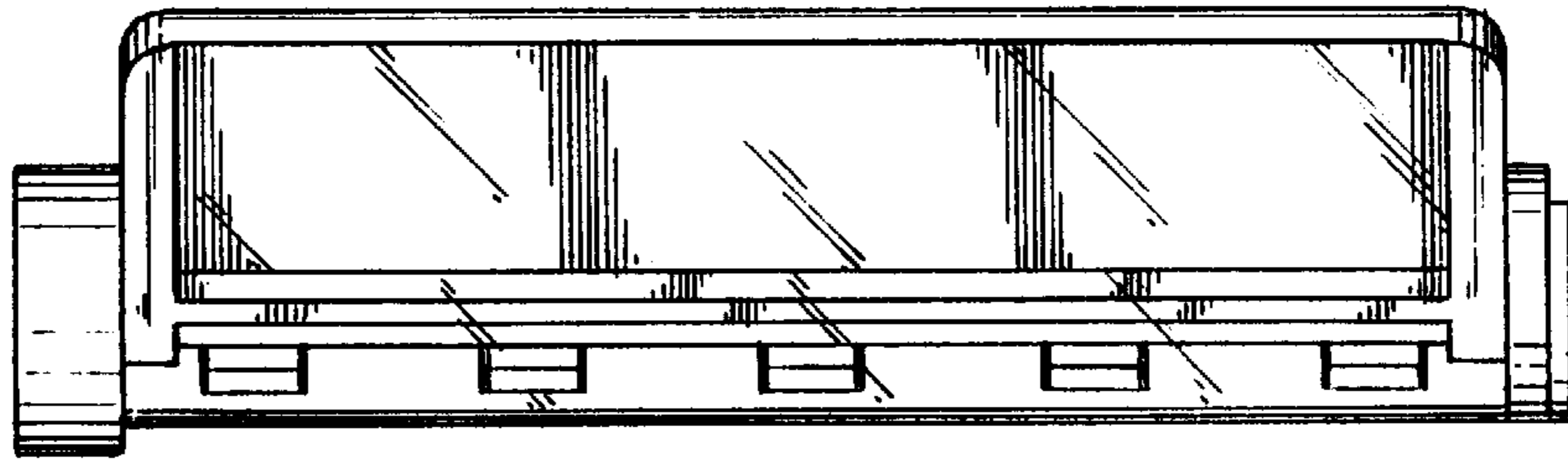


FIG. 6

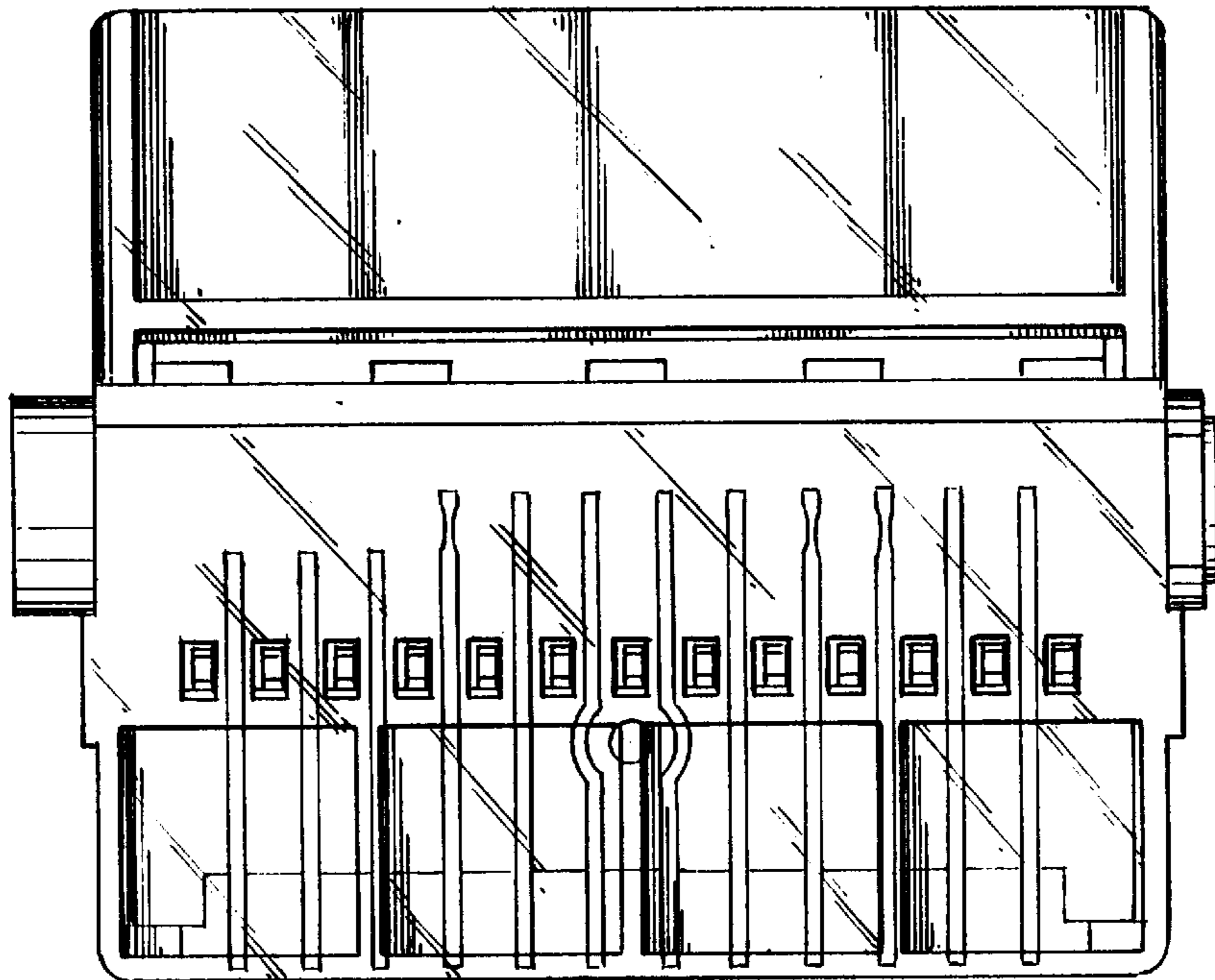


FIG. 7

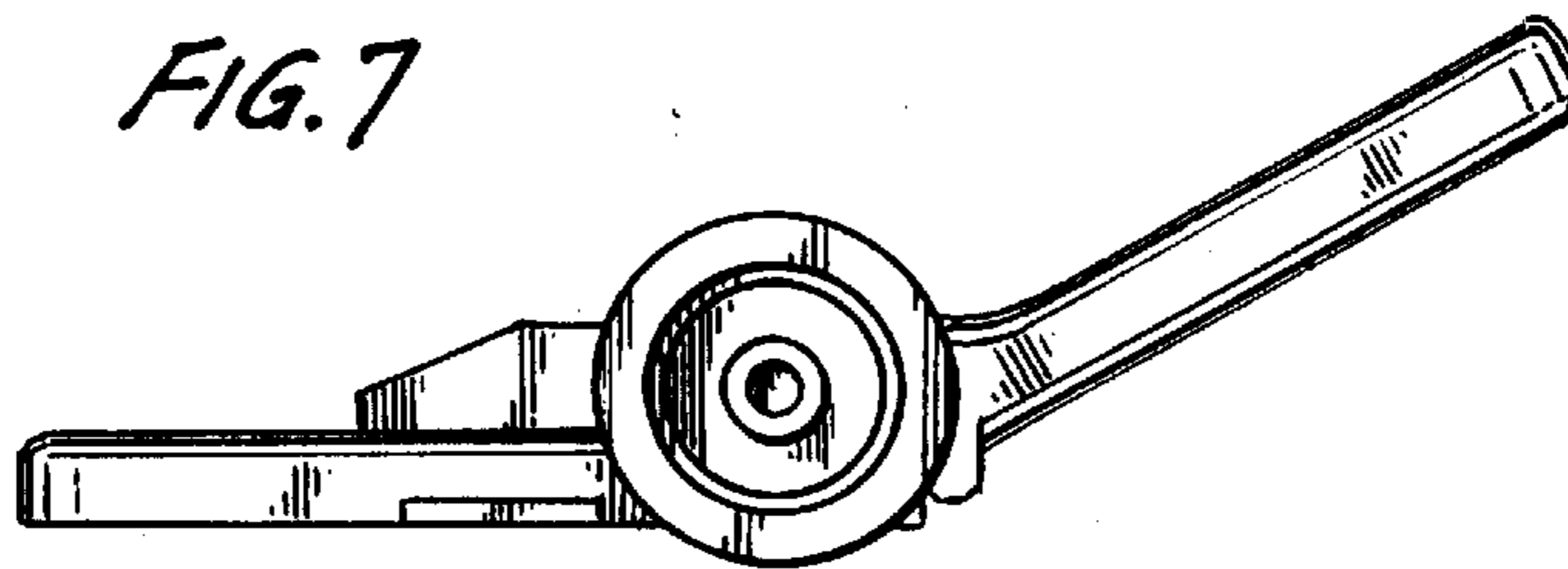


FIG. 8

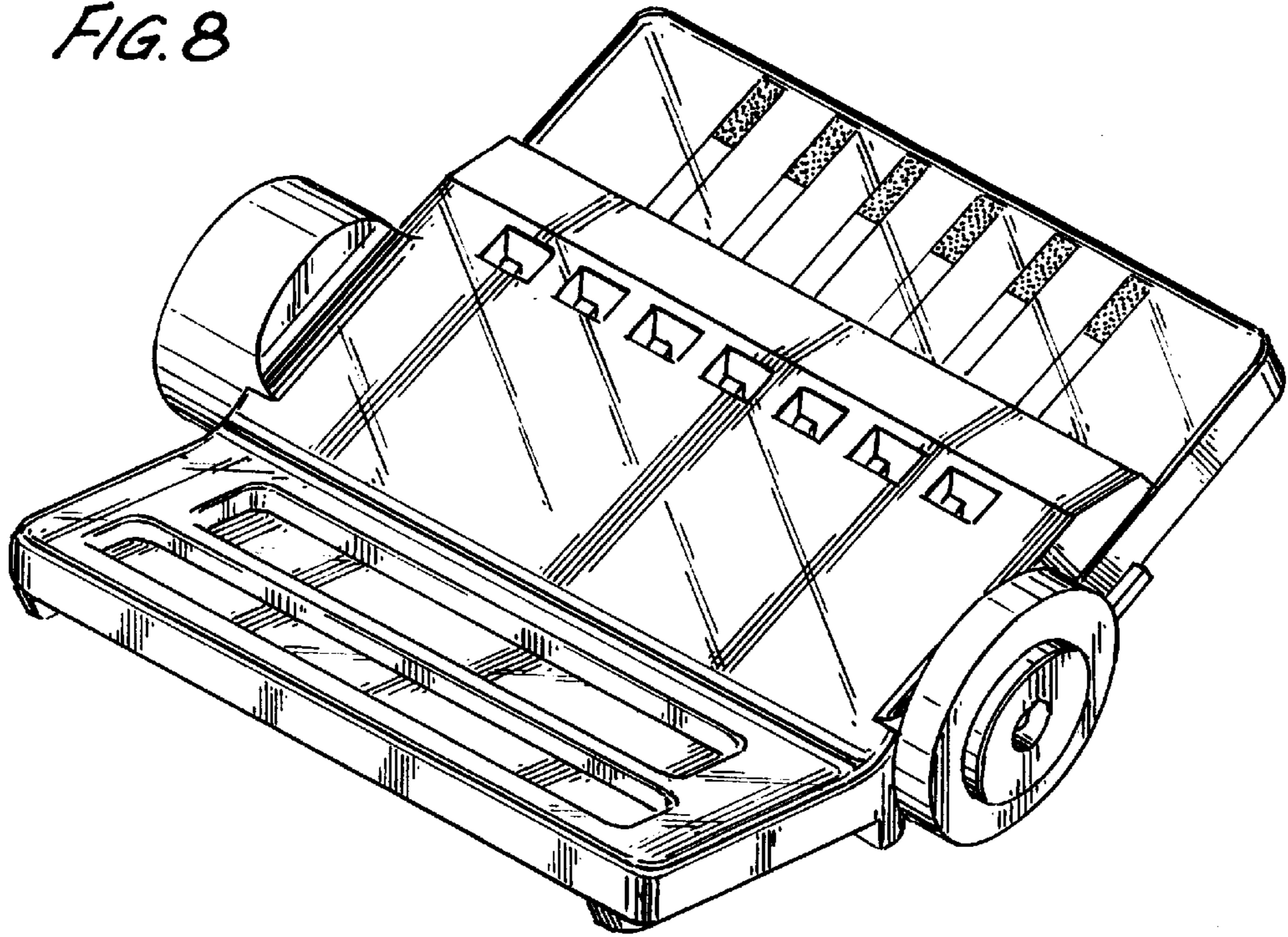


FIG. 9

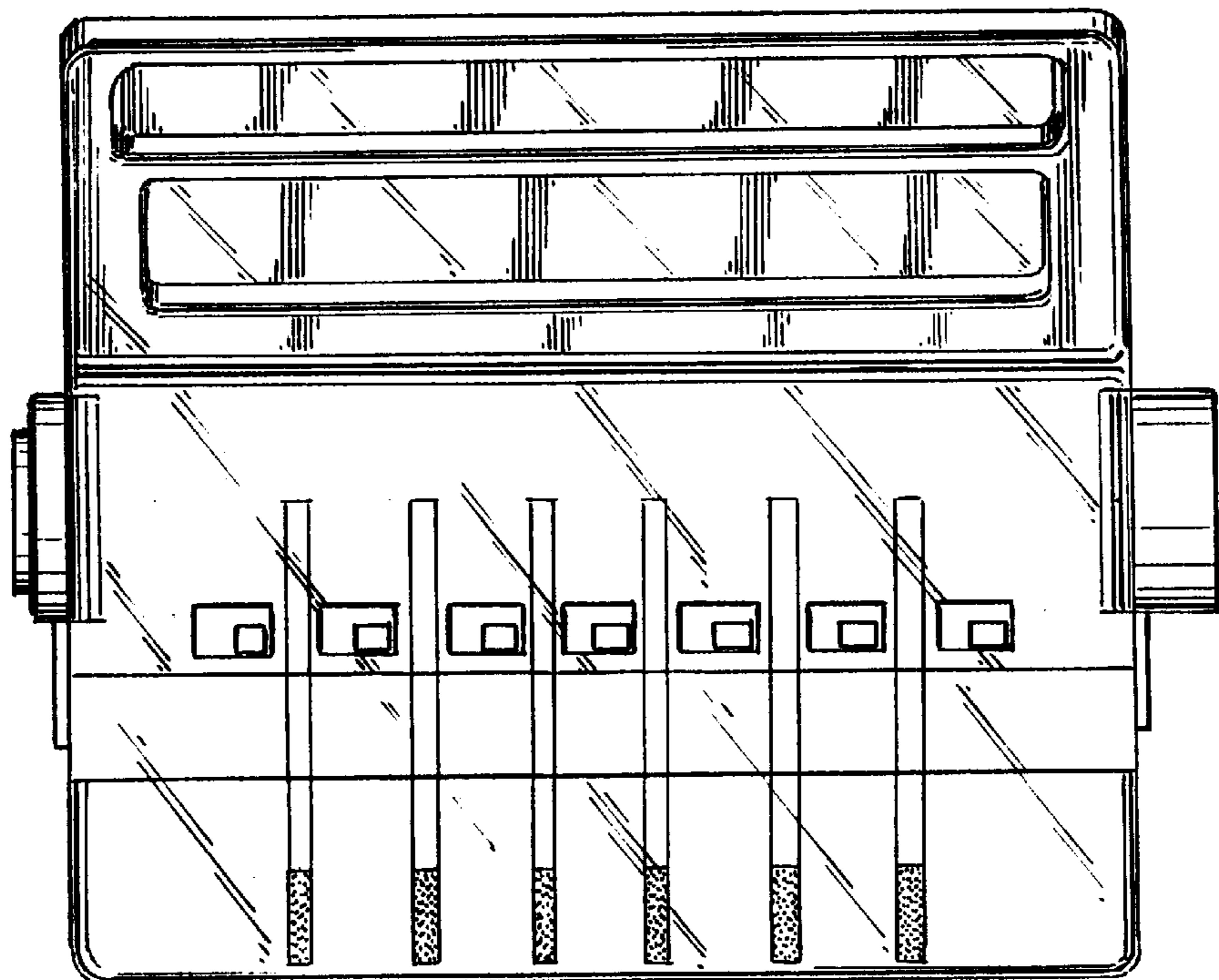


FIG. 10

