



US00D415834S

United States Patent [19] Bar

[11] **Patent Number: Des. 415,834**

[45] **Date of Patent: ** Oct. 26, 1999**

[54] **INTERFACE PRESSURE MEASURING AND DISPLAY APPARATUS**

5,406,953 4/1995 Bui 600/493
5,738,103 4/1998 Poliac 600/493

[75] Inventor: **Christopher A. Bar**, Belleville, Ill.

Primary Examiner—Antoine Duval Davis
Attorney, Agent, or Firm—Polster, Lieder, Woodruff & Lucchesi, P.C.

[73] Assignee: **Roho, Inc.**, Belleville, Ill.

[**] Term: **14 Years**

[57] CLAIM

[21] Appl. No.: **29/093,868**

The ornamental design for interface pressure measuring and display apparatus, as shown.

[22] Filed: **Sep. 21, 1998**

DESCRIPTION

[51] **LOC (6) Cl.** **24-01**

[52] **U.S. Cl.** **D24/165**

[58] **Field of Search** D10/78, 81; D15/147;
D24/165, 166; 600/479, 490, 493, 495,
498, 499; 602/202

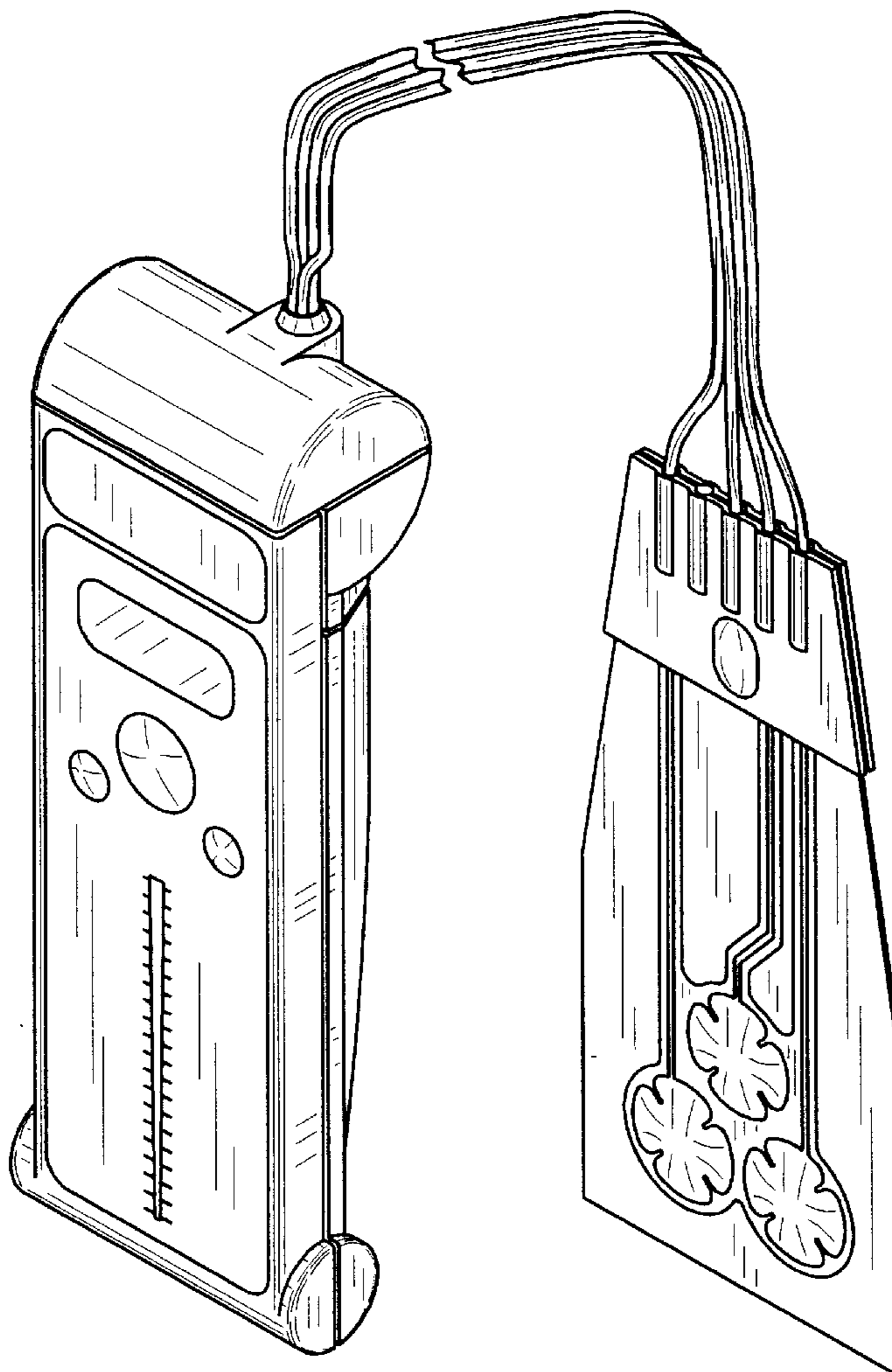
FIG. 1 is a fragmentary front perspective view of the invention showing the connecting conduits foreshortened; FIG. 2 is a fragmentary front elevation view similar to FIG. 1; FIG. 3 is a fragmentary rear elevation view similar to FIG. 1; FIG. 4 is a left side elevation view similar to FIG. 1; FIG. 5 is a right side elevation view similar to FIG. 1; FIG. 6 is a fragmentary top plan view similar to FIG. 1; and, FIG. 7 is a fragmentary bottom view similar to FIG. 1.

[56] References Cited

U.S. PATENT DOCUMENTS

D. 345,607	3/1994	Sedeoka et al.	D24/165
2,558,805	7/1951	Yaglou .		
3,718,791	2/1973	Szablowski .		
5,335,665	8/1994	Suzuki et al.	600/493

1 Claim, 4 Drawing Sheets



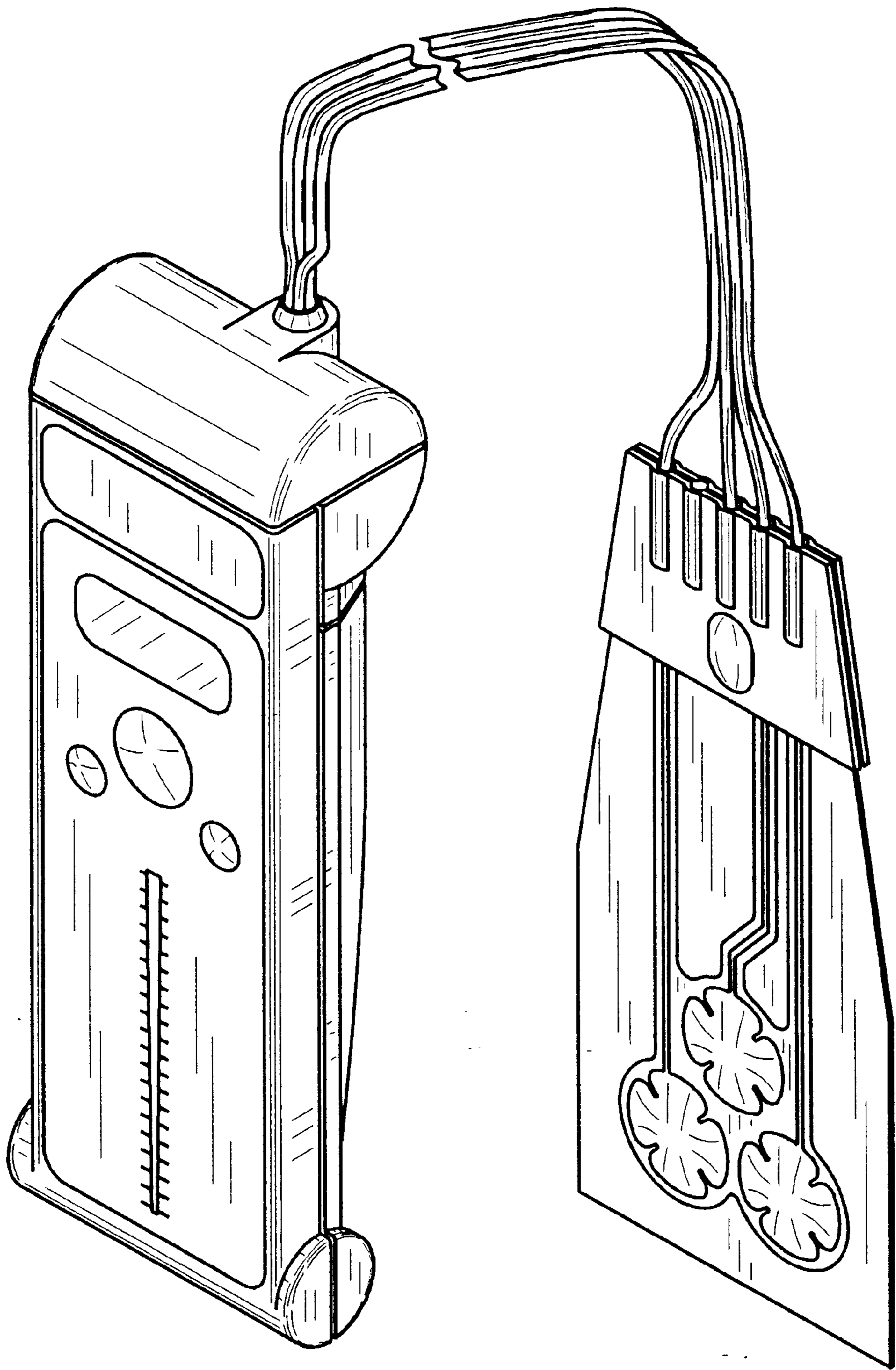


FIG. 1

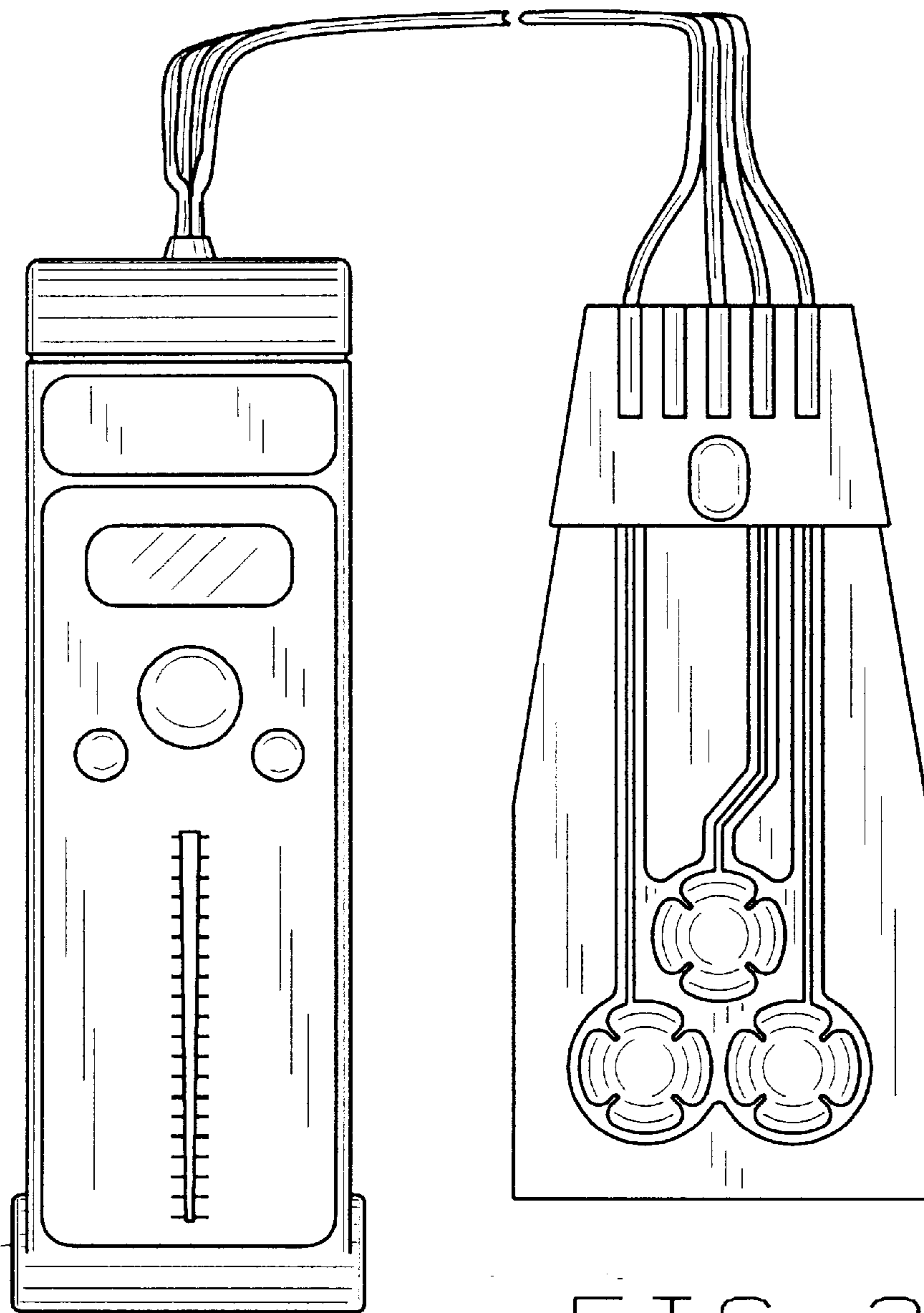


FIG. 2

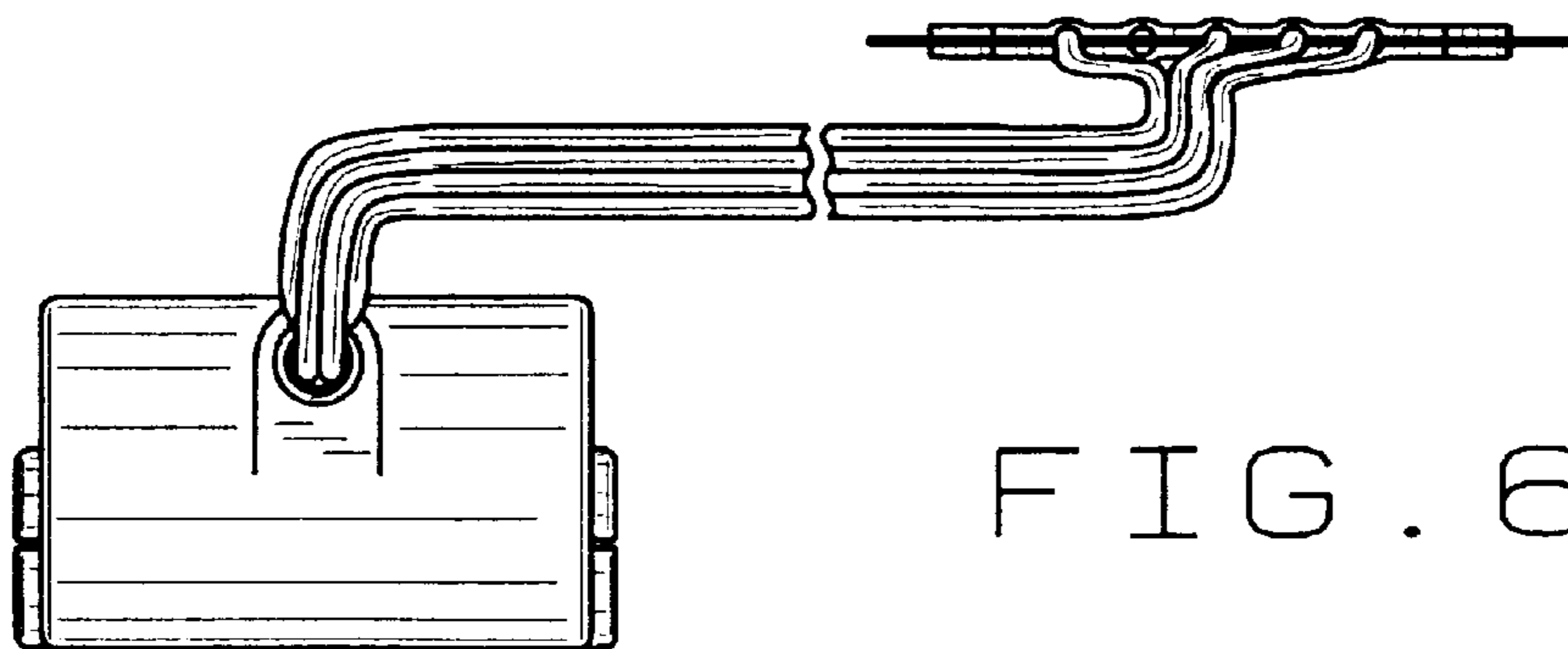


FIG. 6

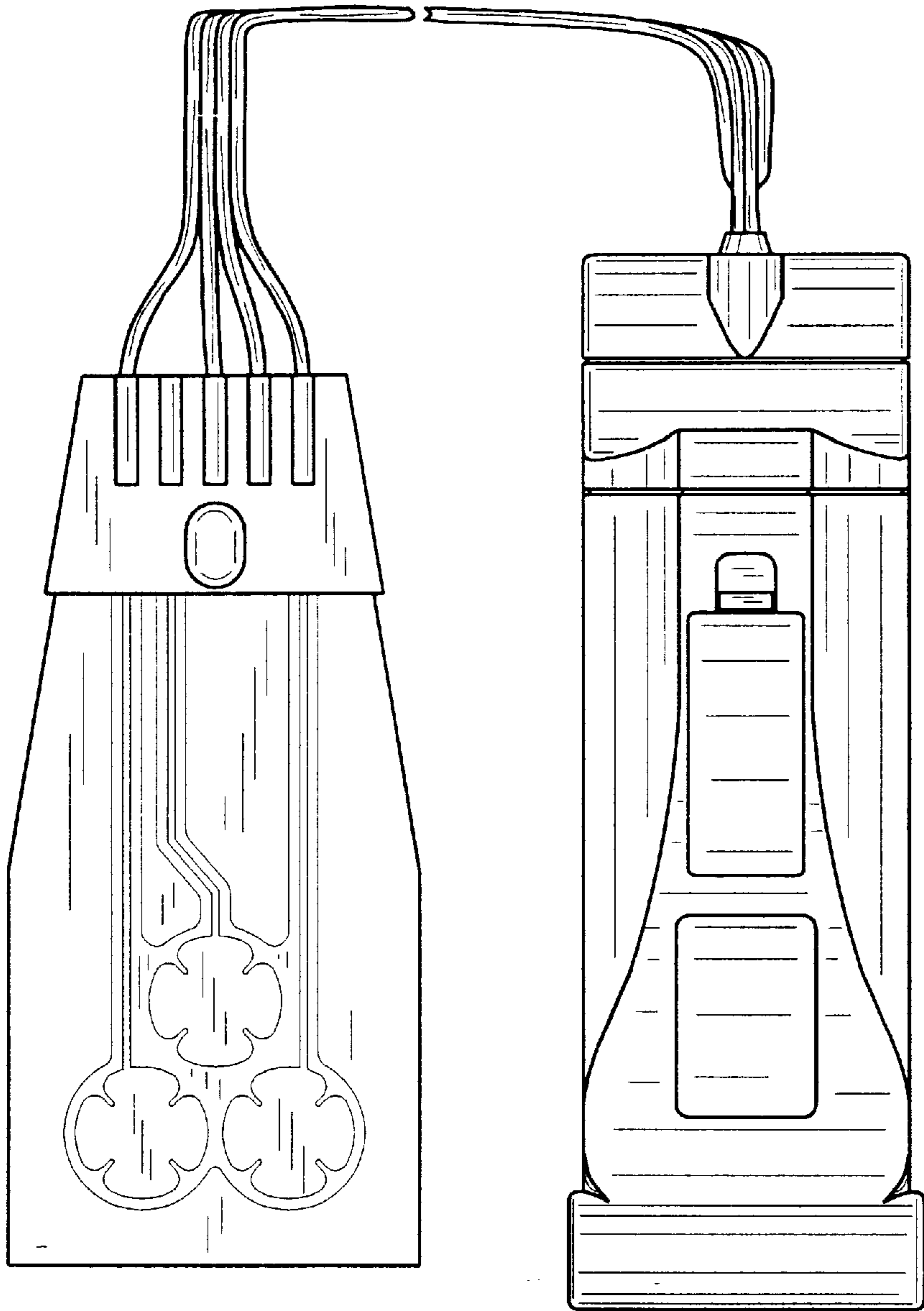


FIG. 3

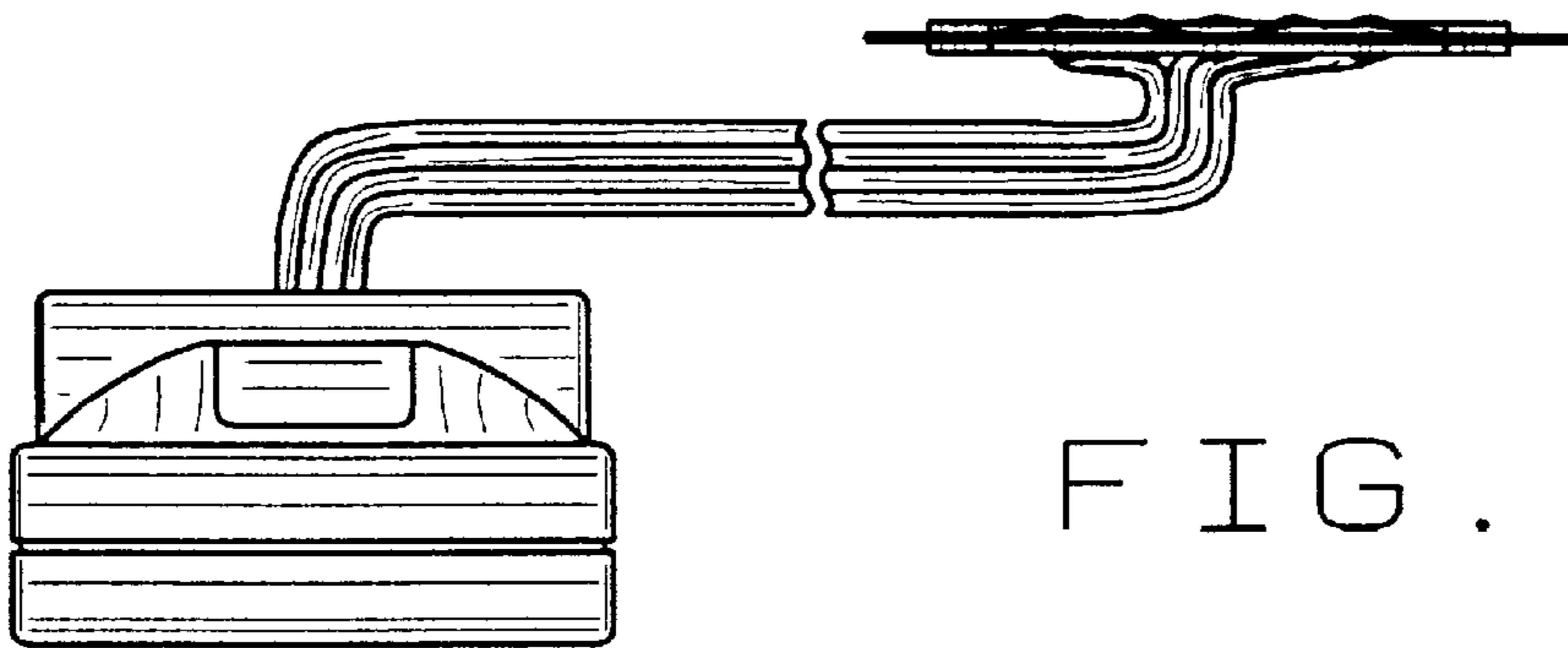


FIG. 7

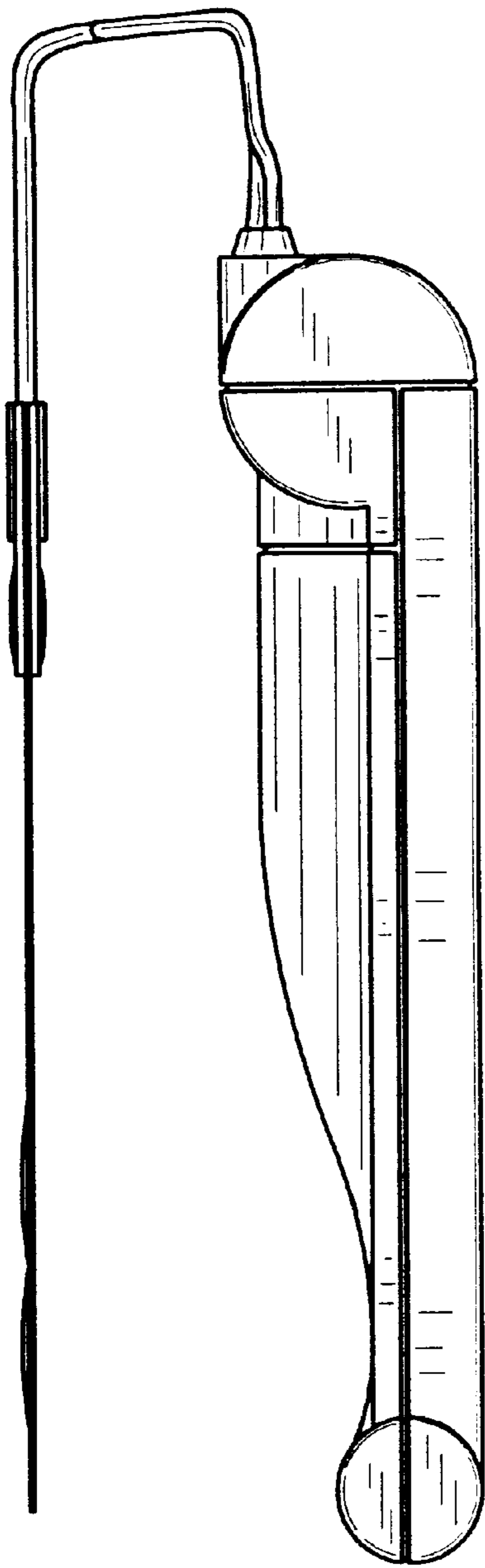


FIG. 4

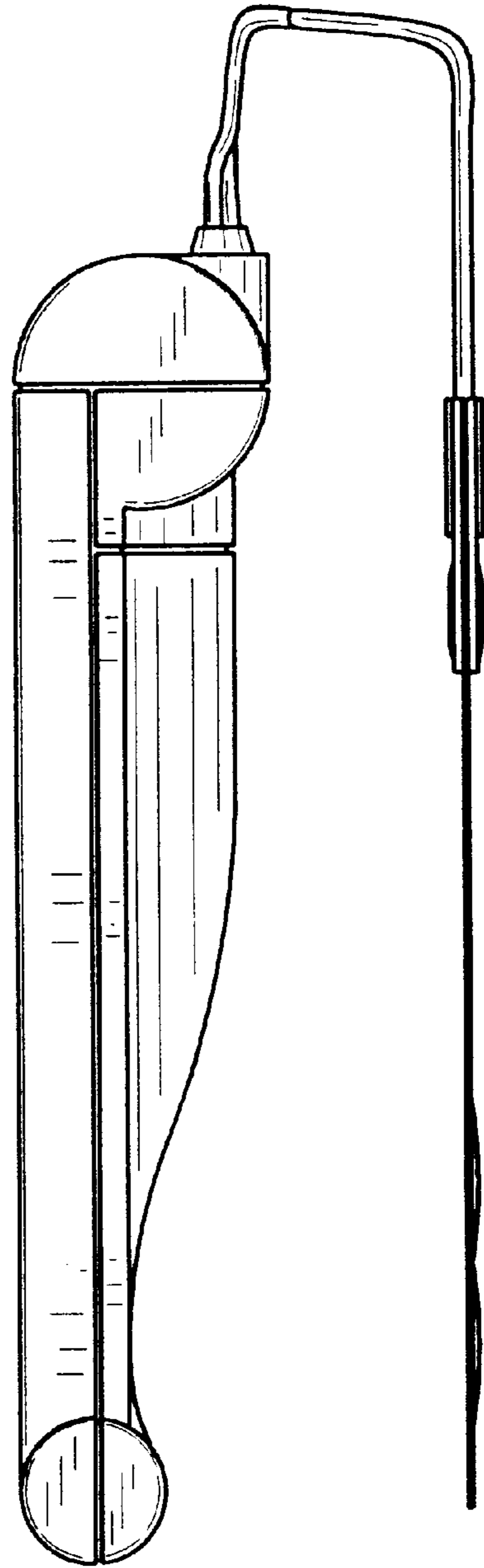


FIG. 5