



US00D415832S

United States Patent [19]
Schubert

[11] **Patent Number: Des. 415,832**

[45] **Date of Patent: ** Oct. 26, 1999**

[54] **WIND SHIELDED BURNER PILOT ASSEMBLY**

5,039,300 8/1991 Riehl 431/264 X

Primary Examiner—Mitchell Siegel

[76] Inventor: **Henry Schubert**, 11503 Hwy. AA,
Neosho, Mo. 64850

[57] **CLAIM**

[**] Term: **14 Years**

The ornamental design for a wind shielded burner pilot assembly, as shown and described.

[21] Appl. No.: **29/092,487**

DESCRIPTION

[22] Filed: **Aug. 19, 1998**

FIG. 1 is a perspective view of a burner pilot assembly showing our new design;

[51] **LOC (6) Cl.** **23-99**

FIG. 2 is a left side elevational view thereof, including environment in phantom lines, the right side being a mirror image thereof;

[52] **U.S. Cl.** **D23/386; D23/415**

FIG. 3 is a front elevational view thereof;

[58] **Field of Search** D23/386, 415,
D23/418; D8/349, 354, 373; 126/39 E;
431/254, 258; 248/200, 300, 200.1, 201,
202.1, 205.1, 441.1, 213.1, 273.2

FIG. 4 is a rear elevational view thereof;

FIG. 5 is a bottom plan view thereof partially broken away to show obscured detail; and,

[56] **References Cited**

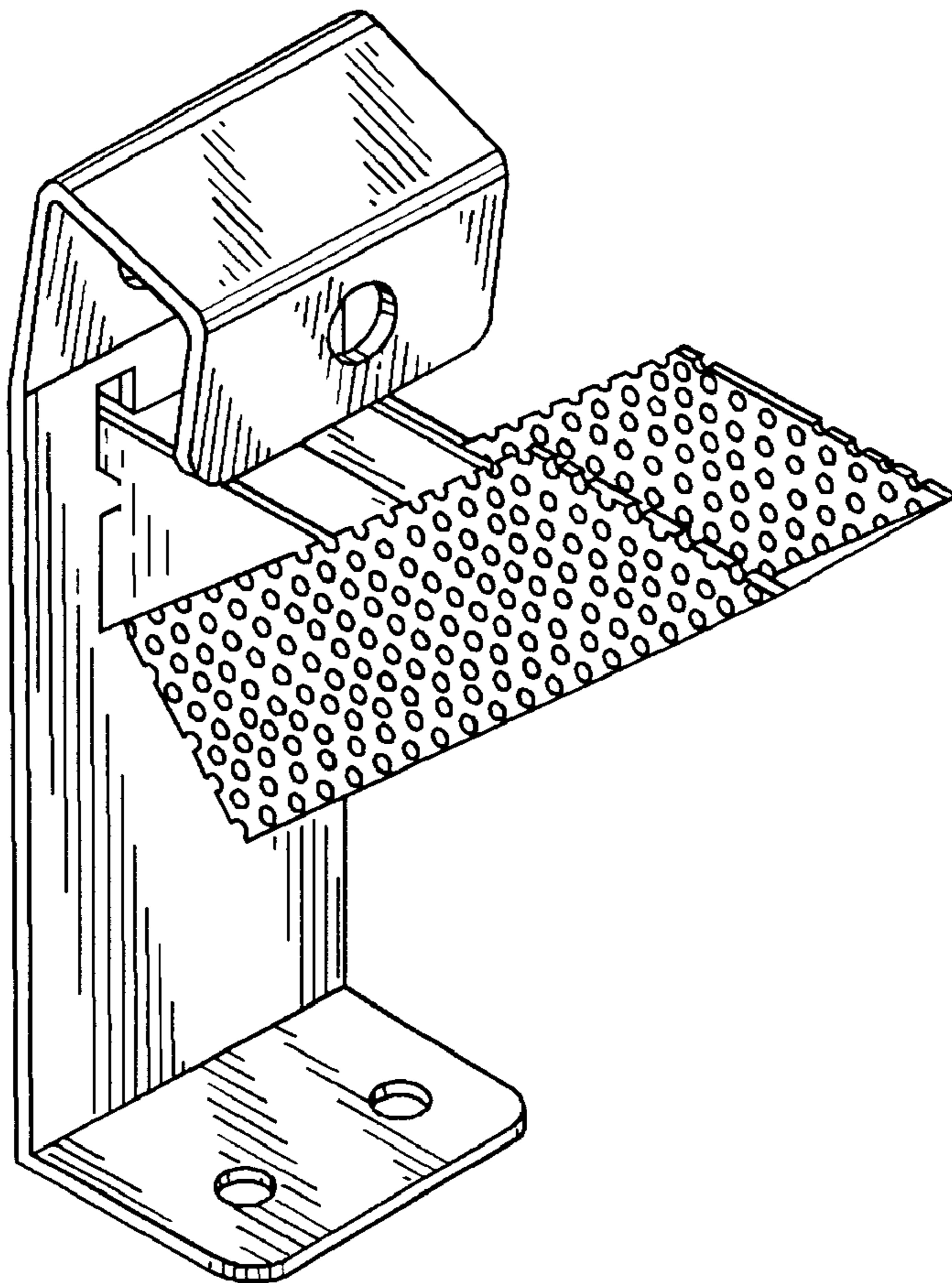
U.S. PATENT DOCUMENTS

D. 374,717	10/1996	Anderson et al.	D23/415
4,278,225	7/1981	Phelps	248/311
4,298,336	11/1981	Riehl	43/264
4,919,084	4/1990	Maurice	119/32

FIG. 6 is a top plan view thereof partially broken away to show obscured detail.

The broken line showing of electrode and the flame sensing bulb in FIG. 2 is for illustrative purposes only and forms no part of the claimed design.

1 Claim, 1 Drawing Sheet



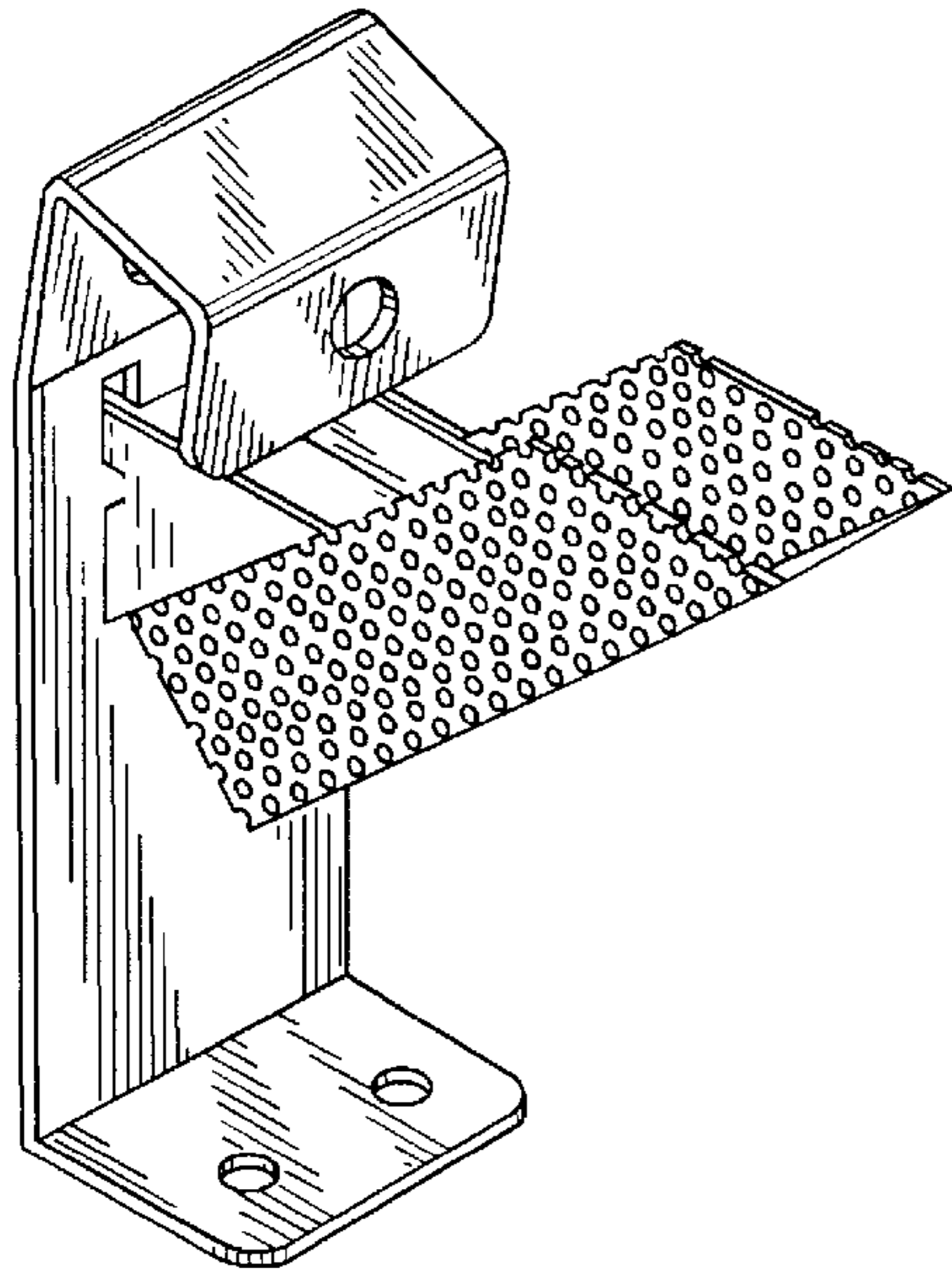


FIG. 1

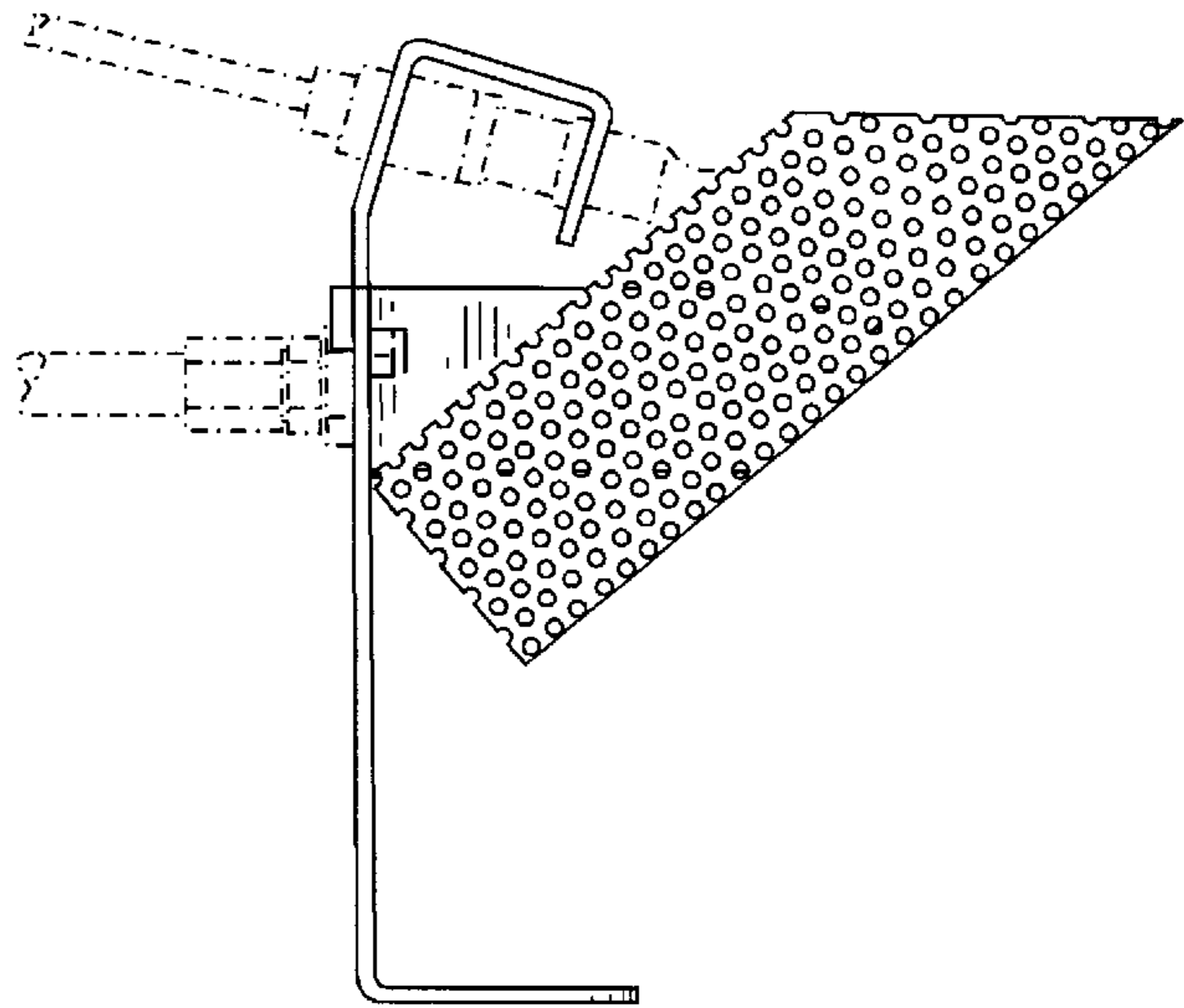


FIG. 2

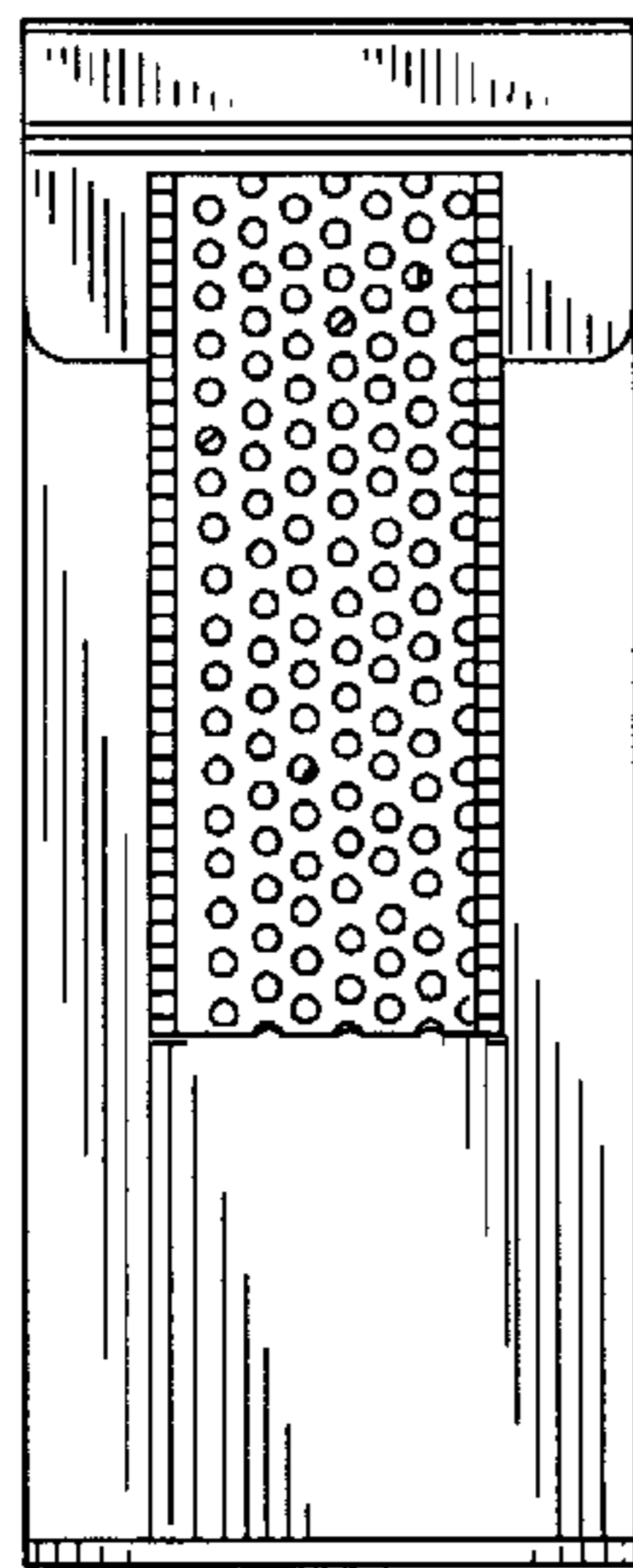


FIG. 3

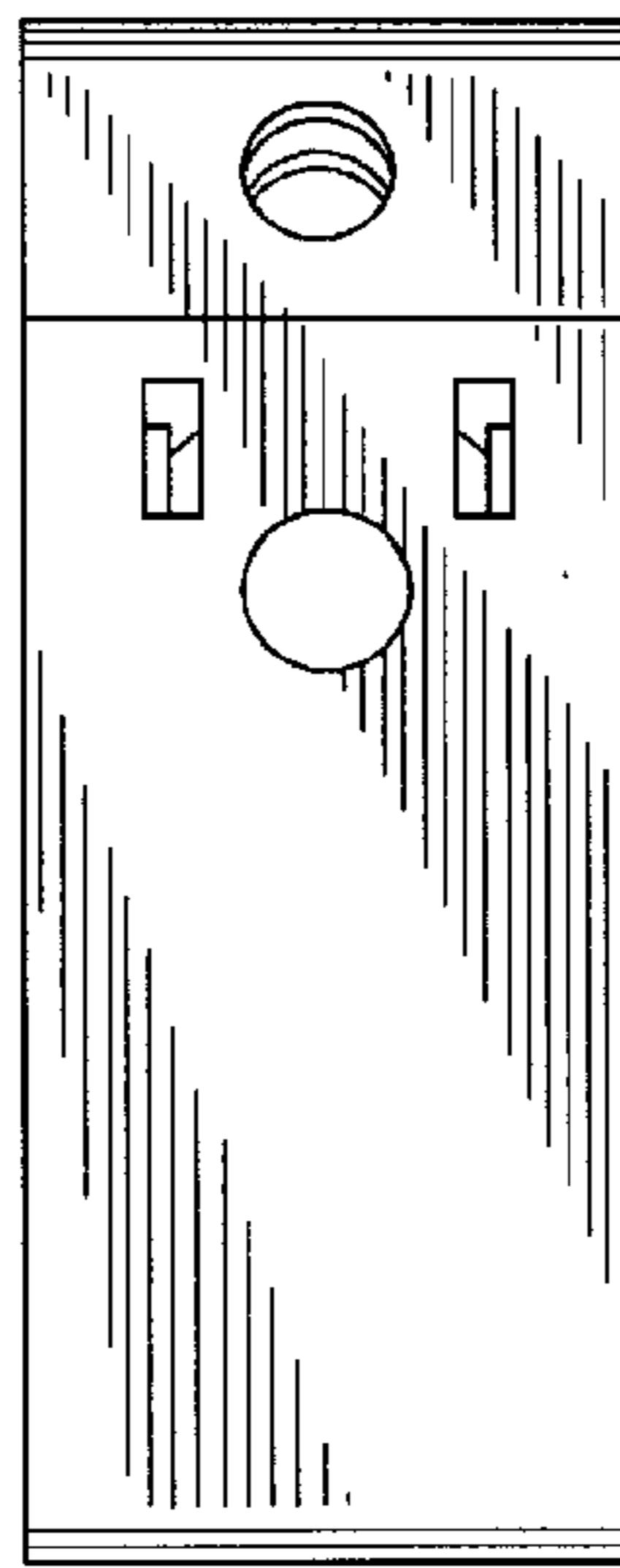


FIG. 4

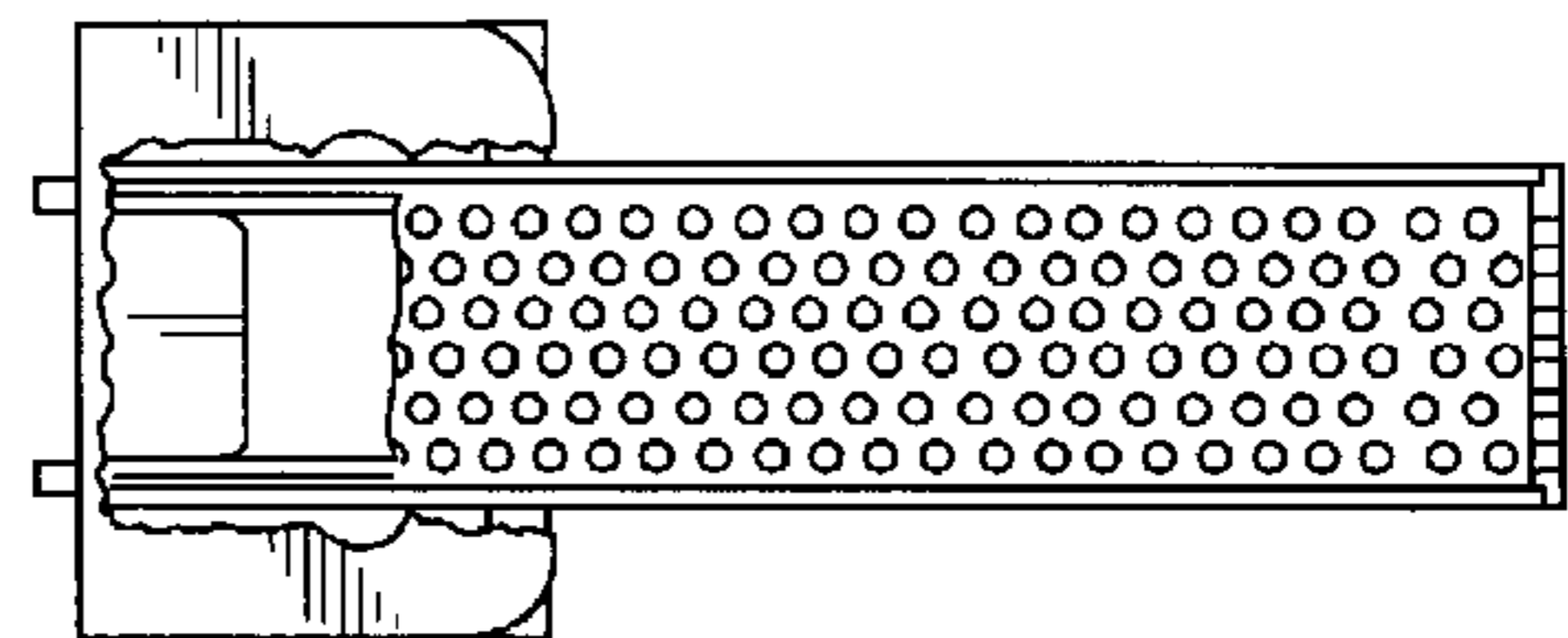


FIG. 5

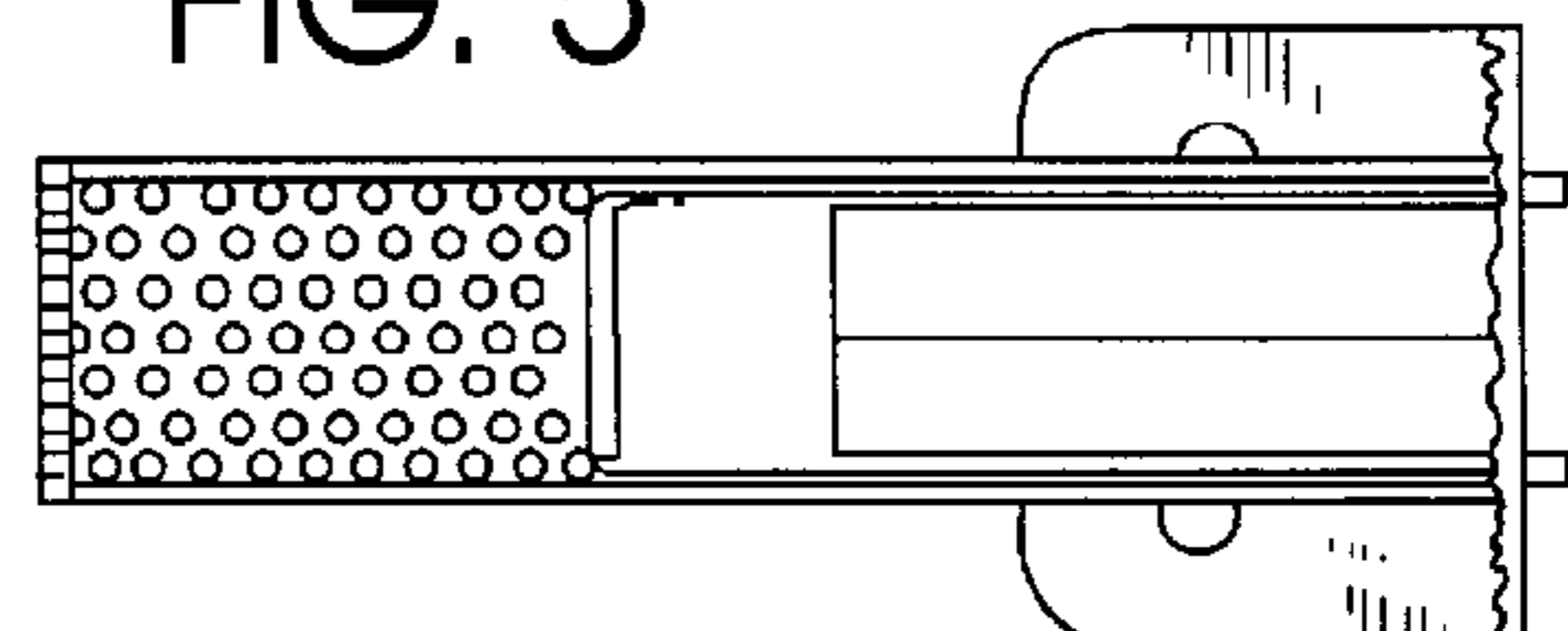


FIG. 6