



US00D415831S

United States Patent [19]

[11] **Patent Number: Des. 415,831**

Hall et al.

[45] **Date of Patent: ** Oct. 26, 1999**

[54] **DISC-SHAPED CONTAINER WHICH CAN HOLD ABSORBENT MATERIAL**

[75] Inventors: **Richard H. Hall; Andrew J. Stephenson**, both of Midland, Mich.; **Nicolo Flor**, Oakville, Canada

[73] Assignee: **Imbibitive Technologies Corp.**, Wilmington, Del.

[**] Term: **14 Years**

[21] Appl. No.: **29/076,774**

[22] Filed: **Sep. 23, 1997**

[51] **LOC (6) Cl. 23-04**

[52] **U.S. Cl. D23/365**

[58] **Field of Search D23/365, 355, D23/209; 206/204, 205, 213.1; 210/498; 96/147, 148, 151, 118, 119; D9/500, 424**

[56] **References Cited**

U.S. PATENT DOCUMENTS

3,674,148 7/1972 Miller et al. 210/498

OTHER PUBLICATIONS

Imbibitive Technologies Corp., "Gravity Flow Drain," 1995.
Imbibitive Technologies Corp., "Imbiber Disk Housing," 1995.

Imbibitive Technologies Corp., "Imbiber Disk," 1995.

Imbibitive Technologies America, "Imtech U.K. Ltd. installs 1st ever (Class II) Imtech Containment Unit (I.C.U.) London Electricity/National Grid Substation, Hackney (London, U.K.) Sep. 25, 1996," reference itself published ca. Dec. 1996.

Primary Examiner—Lisa Lichtenstein
Attorney, Agent, or Firm—Christopher John Rudy

[57] **CLAIM**

The ornamental design for a disc-shaped container which can hold absorbent material, as shown and described.

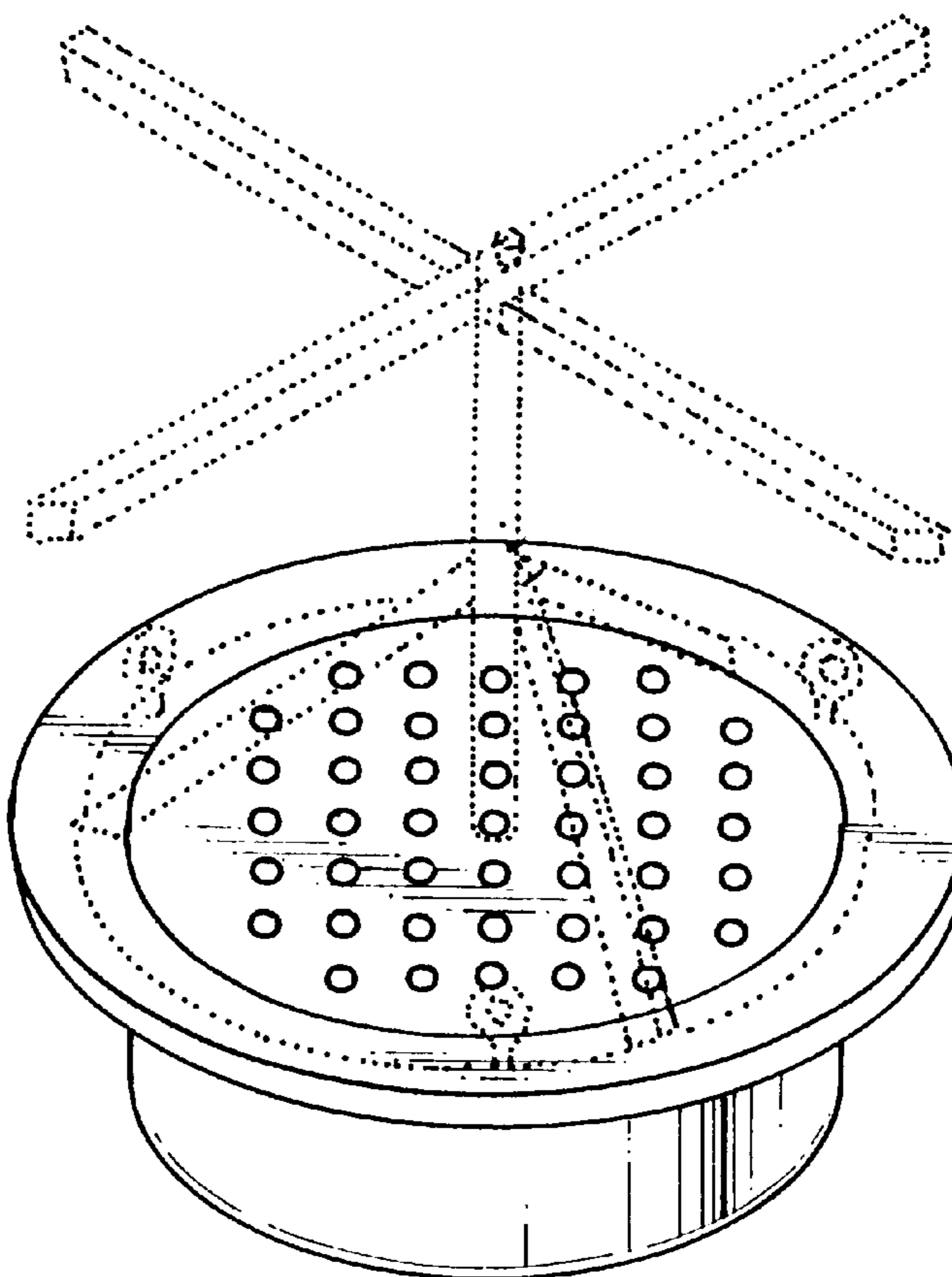
DESCRIPTION

FIG. 1 is a top, perspective view of a disc-shaped container which can hold absorbent material showing our new design; and,

FIG. 2 is a bottom view thereof.

The broken line showing of environmental structure in FIGS. 1 and 2 is for illustrative purposes only and forms no part of the claimed design.

1 Claim, 1 Drawing Sheet



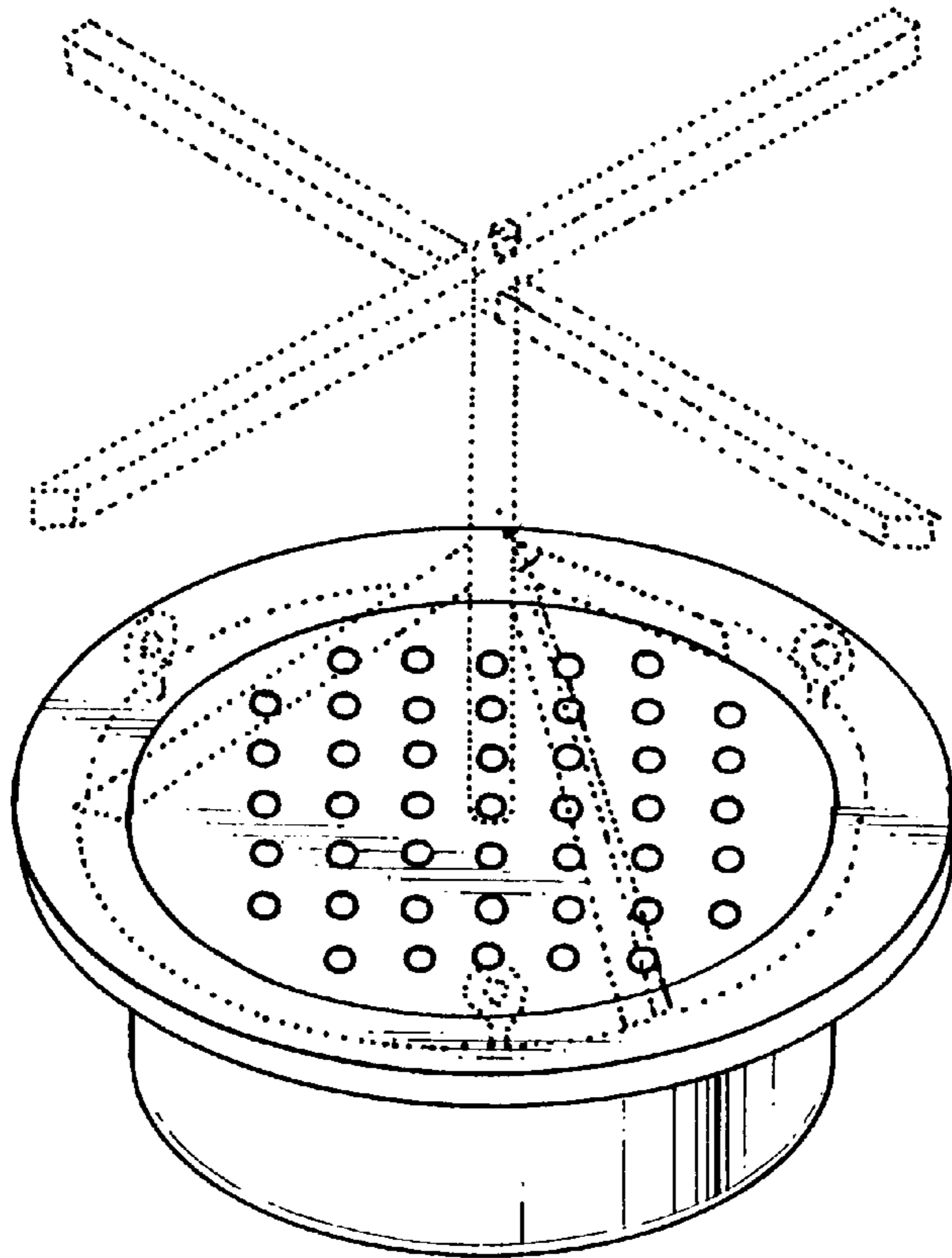


Fig. 1

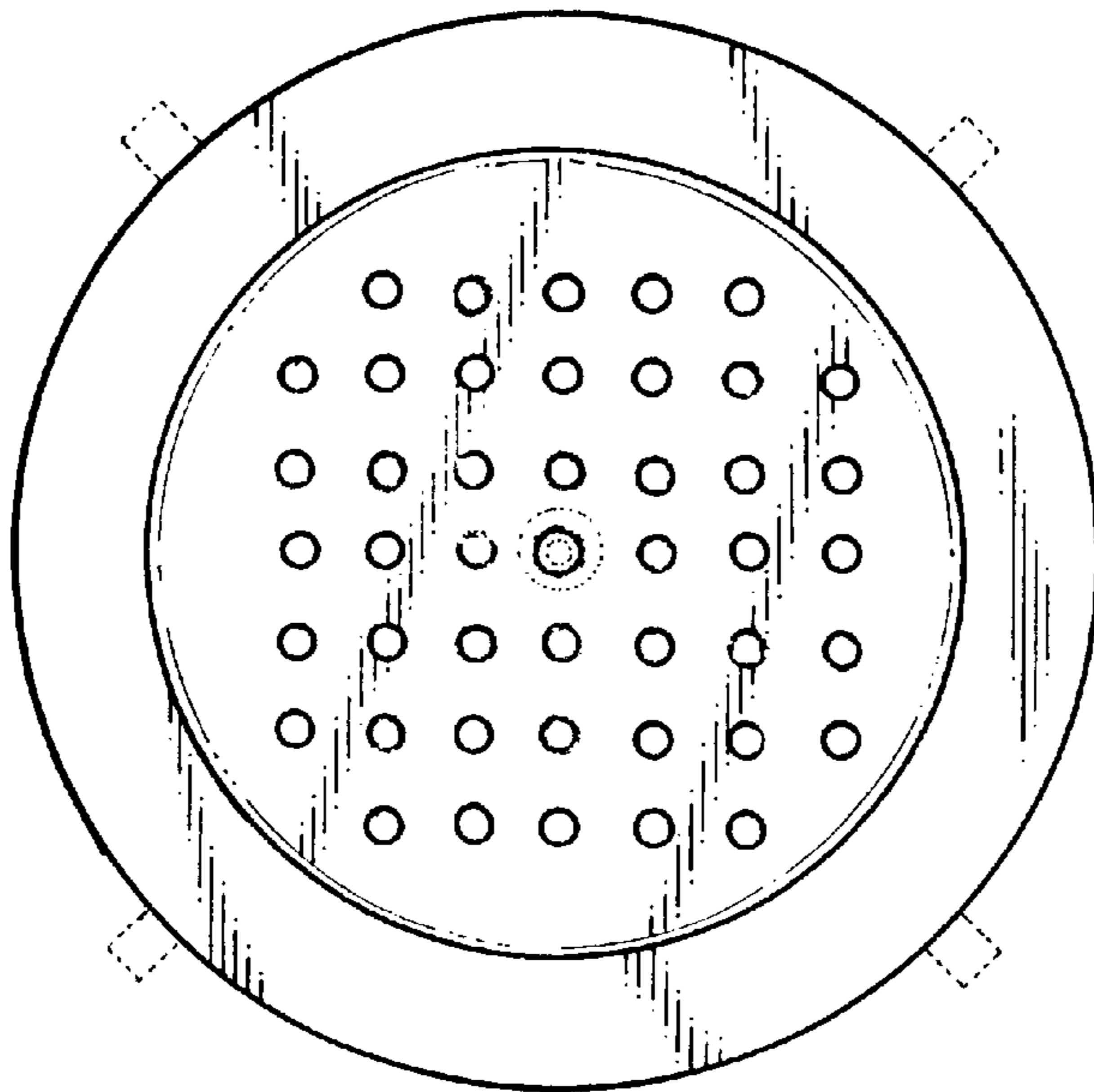


Fig. 2