



US00D415827S

United States Patent [19] McKeone

[11] **Patent Number: Des. 415,827**

[45] **Date of Patent: ** Oct. 26, 1999**

[54] **LAVATORY**

[75] Inventor: **William C. McKeone**, Sheboygan, Wis.

[73] Assignee: **Kallista, Inc.**, San Leandro, Calif.

[**] Term: **14 Years**

[21] Appl. No.: **29/094,982**

[22] Filed: **Oct. 14, 1998**

[51] **LOC (6) Cl. 23-02**

[52] **U.S. Cl. D23/292**

[58] **Field of Search D23/284, 287,
D23/293.1; 4/619, 624, 625, 638-650**

[56] **References Cited**

U.S. PATENT DOCUMENTS

D. 77,877	2/1929	Brain	D23/292
D. 125,054	2/1941	Lewis	D23/292
D. 320,068	9/1991	Waldren	D23/292
D. 320,437	10/1991	McKeone	D23/292
D. 387,419	12/1997	Garza	D23/292
D. 396,270	7/1998	Slothower	D23/292

OTHER PUBLICATIONS

1997 Kohler catalog ad, p. 14.7, showing a "Memoirs" lavatory.

1997 Kohler catalog ad, p. 14-8, showing a "Portrait" lavatory.

1997 Kohler catalog ad, p. 16, showing a "Vintage" lavatory. Undated photo of an Imperial Bathroom Co. lavatory.

Primary Examiner—Louis S. Zarfes
Assistant Examiner—Eric M. Watterson
Attorney, Agent, or Firm—Quarles & Brady LLP

[57] **CLAIM**

The ornamental design for a lavatory, as shown and described.

DESCRIPTION

FIG. 1 is a right, top, front perspective view of a lavatory embodying my new design;

FIG. 2 is a front elevational view thereof;

FIG. 3 is a right side elevational view thereof, the left side elevational view being a mirror image of the right side shown;

FIG. 4 is a top plan view thereof; and,

FIG. 5 is a bottom plan view thereof.

The broken line representations of holes in FIGS. 4 and 5 are for the purpose of illustration only, and form no part of the claimed design.

1 Claim, 2 Drawing Sheets

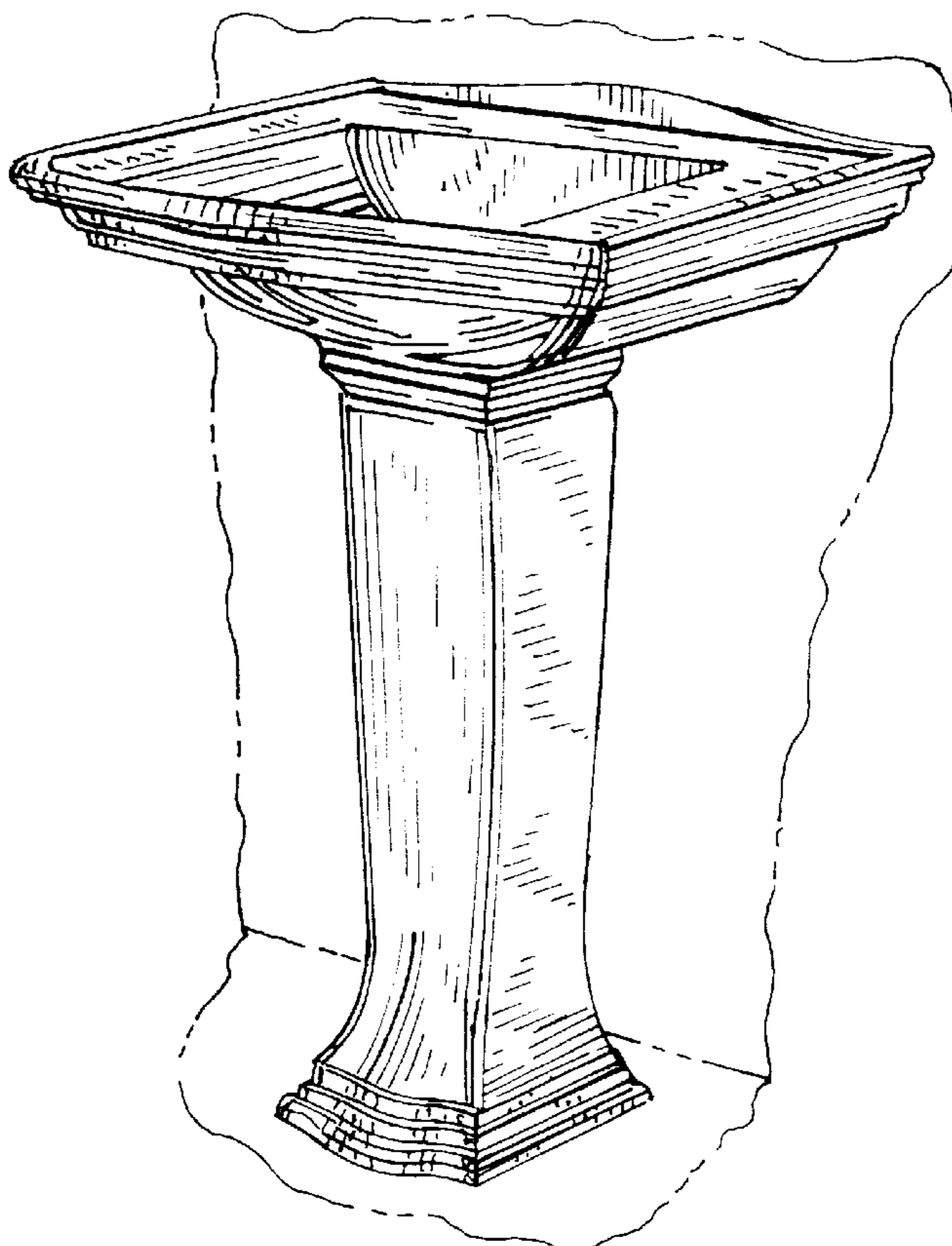


FIG. 3

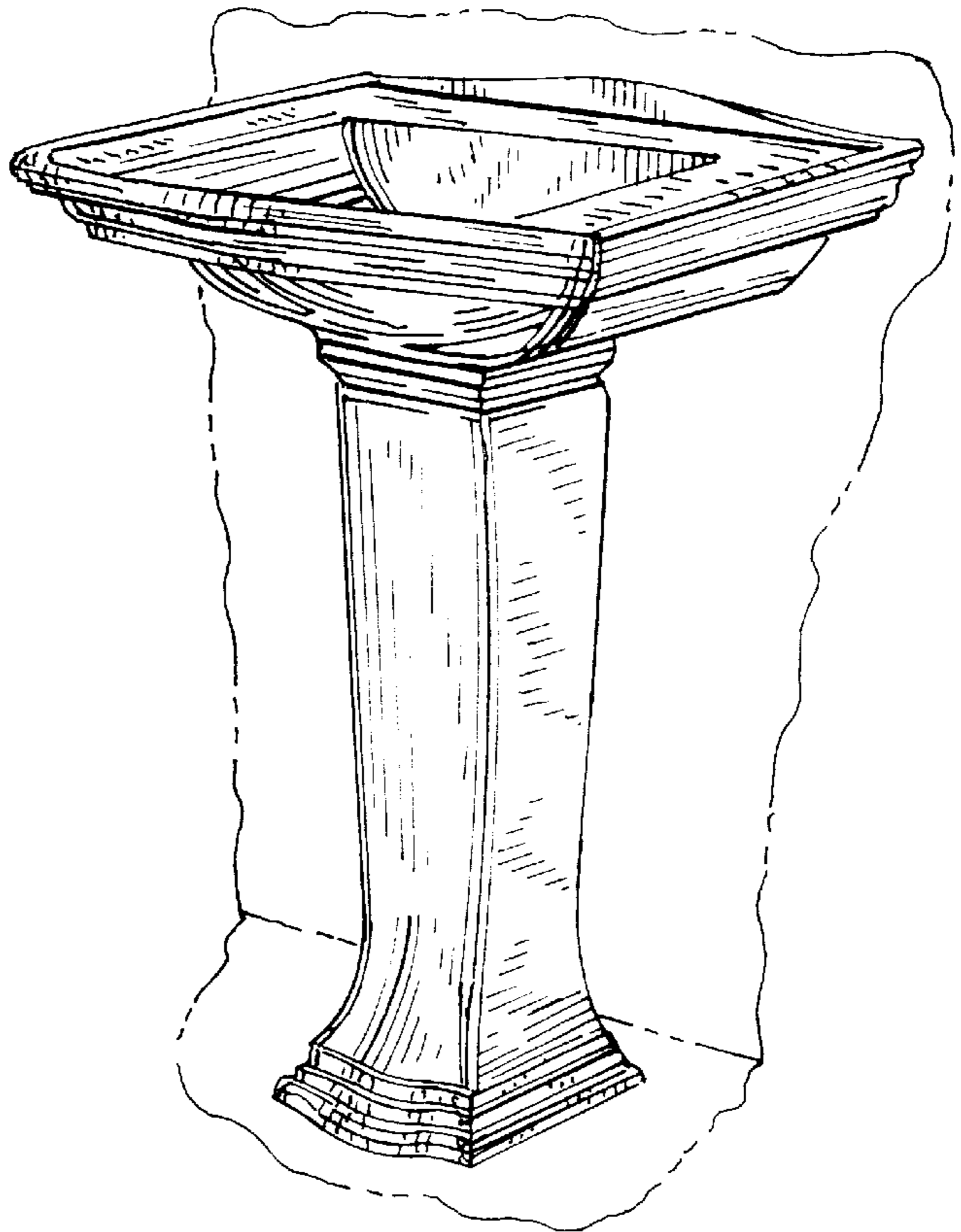
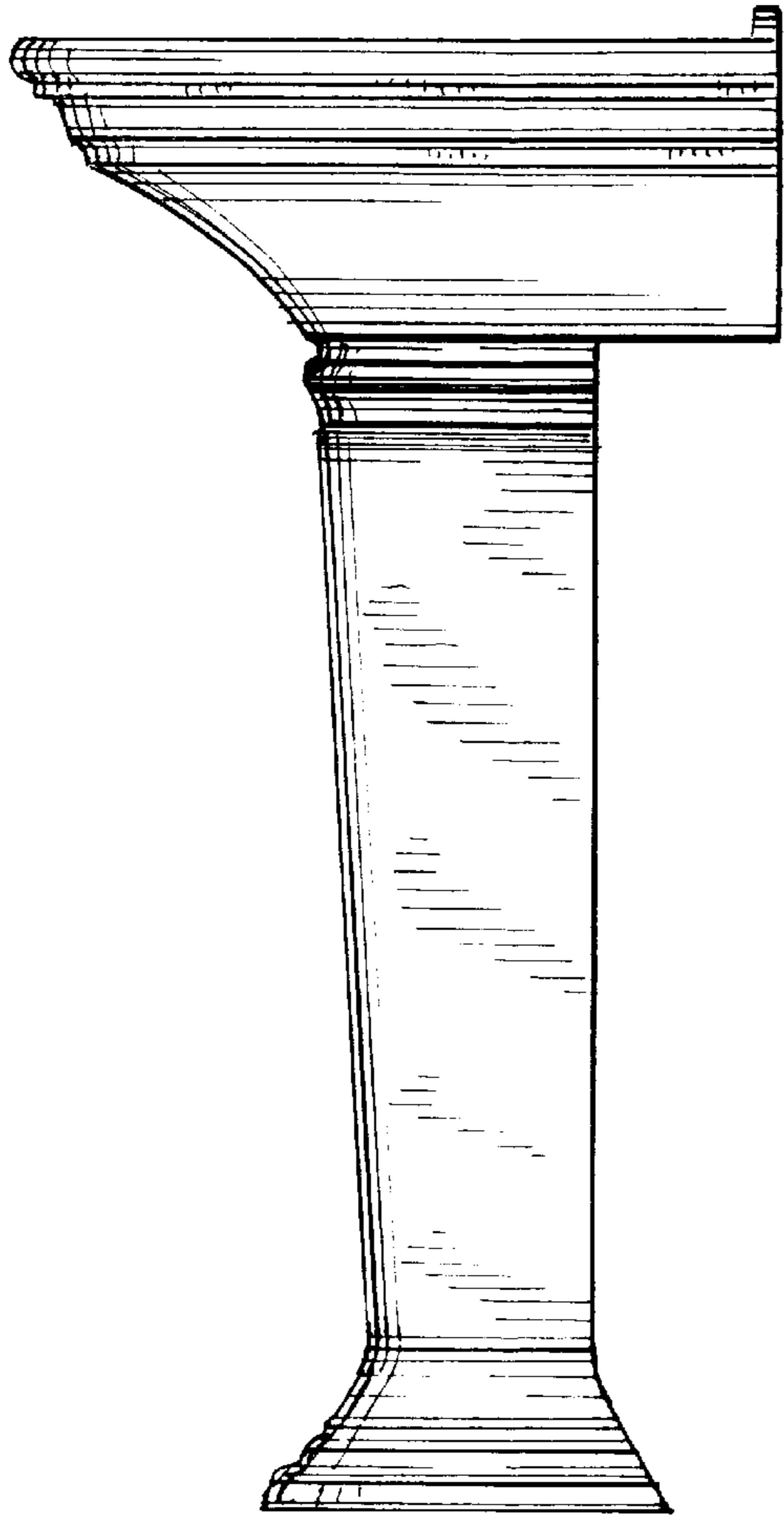
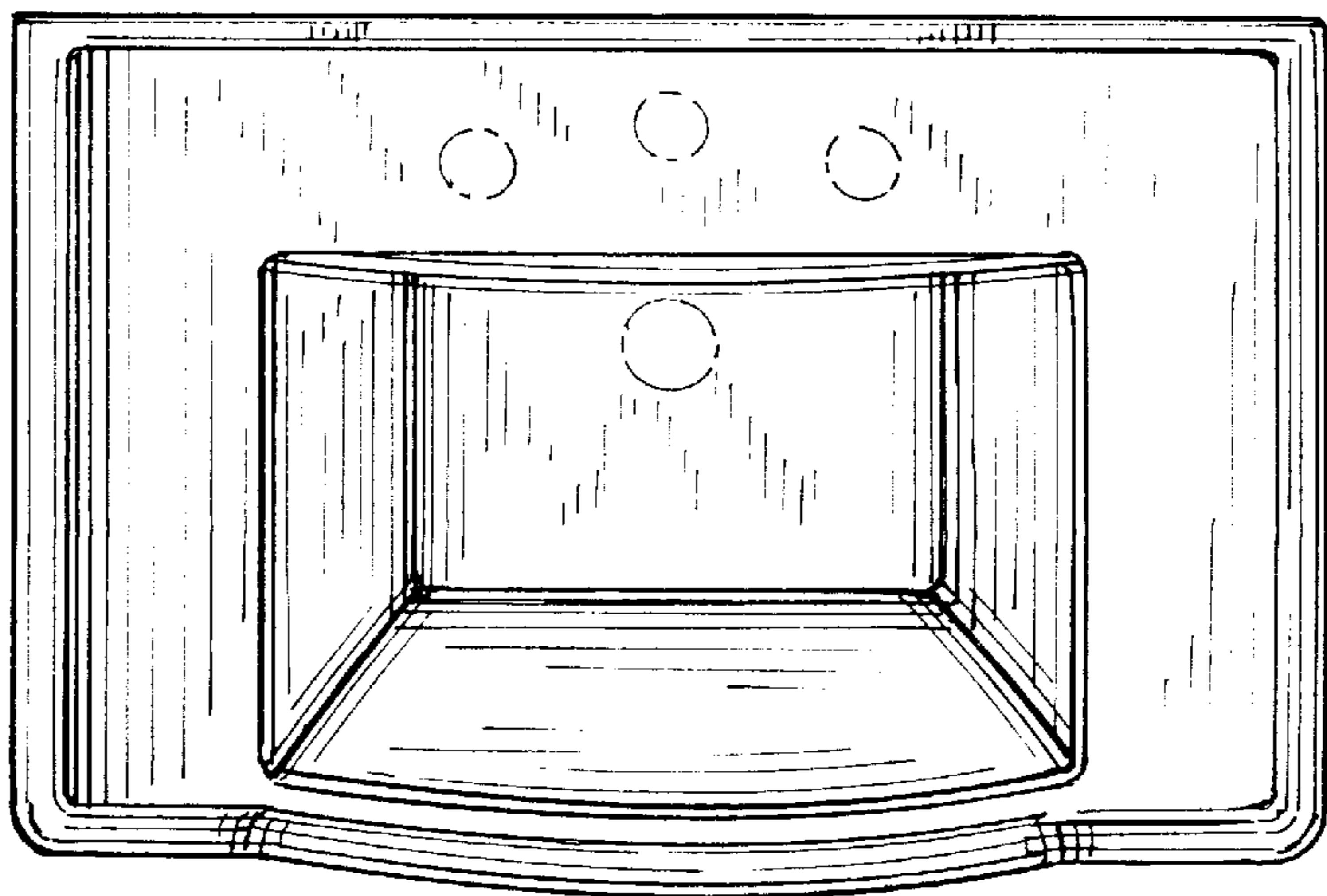


FIG. 1

FIG. 4



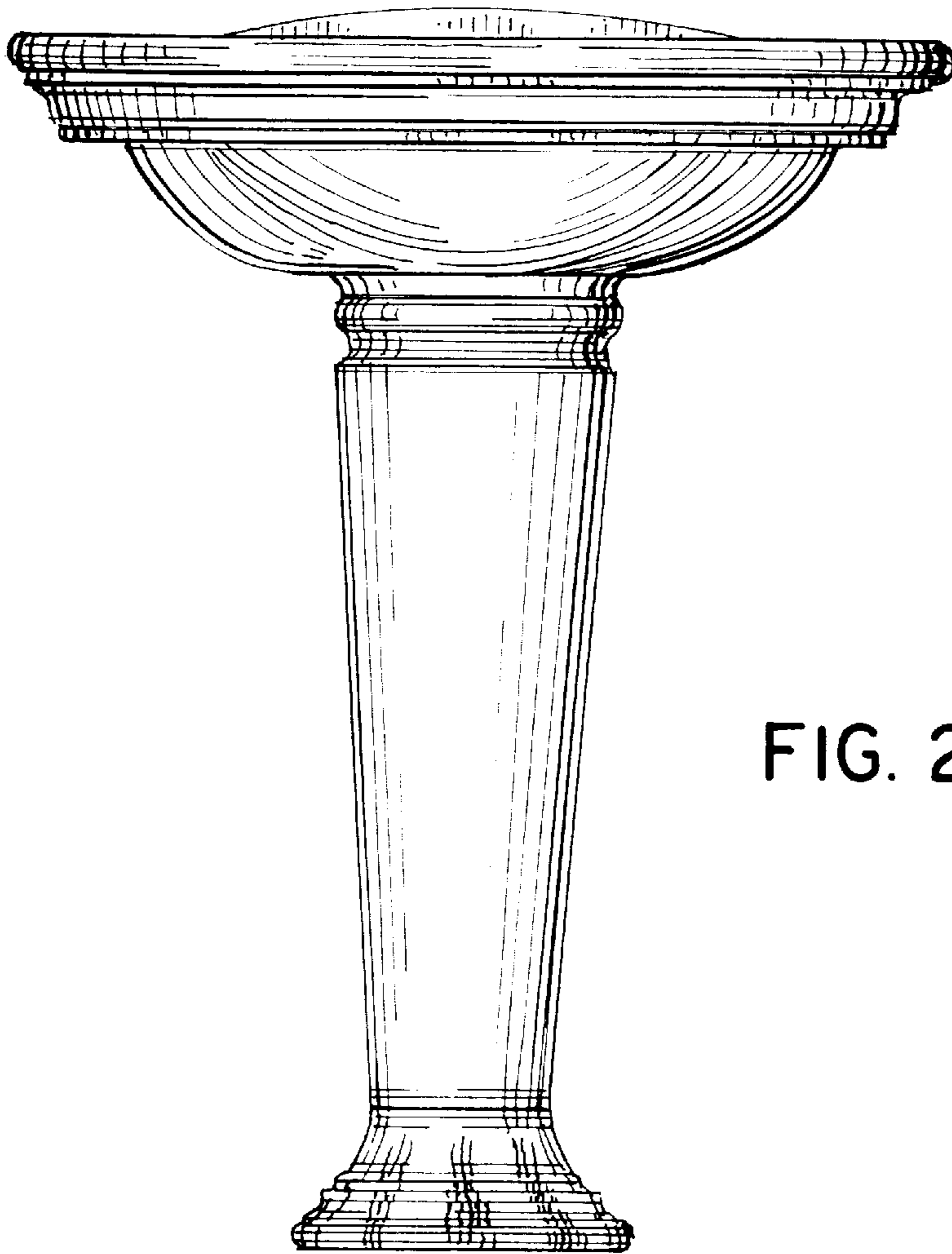


FIG. 2

FIG. 5

