



US00D415826S

United States Patent [19]

Costello et al.

[11] Patent Number: Des. 415,826

[45] Date of Patent: ** Oct. 26, 1999

[54] FAUCET SPOUT

[75] Inventors: **John C. Costello**, Wesley; **Kevin R. Young**, Newton; **Roy A. Thompson**, Mattapan, all of Mass.

[73] Assignee: **Moen Incorporated**, North Olmsted, Ohio

[**] Term: **14 Years**

[21] Appl. No.: **29/096,886**

[22] Filed: **Nov. 23, 1998**

[51] LOC (6) Cl. **23-01**

[52] U.S. Cl. **D23/255**

[58] Field of Search D23/238-243, D23/250-257; 4/675-678; 137/801

[56] **References Cited**

U.S. PATENT DOCUMENTS

- D. 149,398 4/1948 Bauberger .
- D. 213,874 4/1969 Landell .
- D. 258,522 3/1981 Thevenot .
- D. 258,523 3/1981 Thevenot .
- D. 276,257 11/1984 Fabian .
- D. 280,437 9/1985 Rademacher .
- D. 289,318 4/1987 Yost .
- D. 308,568 6/1990 Strignano .
- D. 315,397 3/1991 Knapp .
- D. 324,905 3/1992 Chretien .
- D. 344,324 2/1994 Mattis .
- D. 359,342 6/1995 Doughty et al. .
- D. 363,534 10/1995 Hill et al. .
- D. 364,211 11/1995 Hill et al. .
- D. 364,212 11/1995 Hill et al. .
- D. 367,699 3/1996 Hill et al. .
- D. 373,621 9/1996 Doughty et al. .
- D. 376,414 12/1996 Doughty et al. .
- D. 380,809 7/1997 Warshawsky .
- D. 384,401 9/1997 Doughty et al. .
- D. 390,639 2/1998 Ming-hua .

- D. 390,919 2/1998 Lobermeier .
- D. 392,025 3/1998 Doughty et al. .
- D. 393,696 4/1998 Doughty et al. .

FOREIGN PATENT DOCUMENTS

- 616451 10/1983 Japan .
- 726212 11/1987 Japan .
- 726214 11/1987 Japan .
- M2-5313 7/1993 Japan .
- 886712 9/1993 Japan .
- 912708 8/1994 Japan .
- 07006138 2/1995 Japan .
- 08015638 6/1996 Japan .
- 973818 11/1996 Japan .
- 09011124 3/1997 Japan .
- 986614 4/1997 Japan .
- 986731 4/1997 Japan .
- 09011598 9/1997 Japan .
- 1004203 11/1997 Japan .
- 1016928 5/1998 Japan .
- 163827-1 8/1995 Rep. of Korea .
- 177250 4/1996 Rep. of Korea .

Primary Examiner—Louis S. Zarfes
Assistant Examiner—Eric Watterson
Attorney, Agent, or Firm—Dorn, McEachran, Jambor & Keating

[57] **CLAIM**

The ornamental design for a faucet spout, as shown and described.

DESCRIPTION

FIG. 1 is a top perspective view, as viewed from the top right side, of a faucet spout showing our new design; FIG. 2 is a right side view thereof, with the left side view being a mirror image; FIG. 3 is a front view thereof; FIG. 4 is a rear view thereof; FIG. 5 is a top view thereof; and, FIG. 6 is a bottom view thereof.

1 Claim, 2 Drawing Sheets

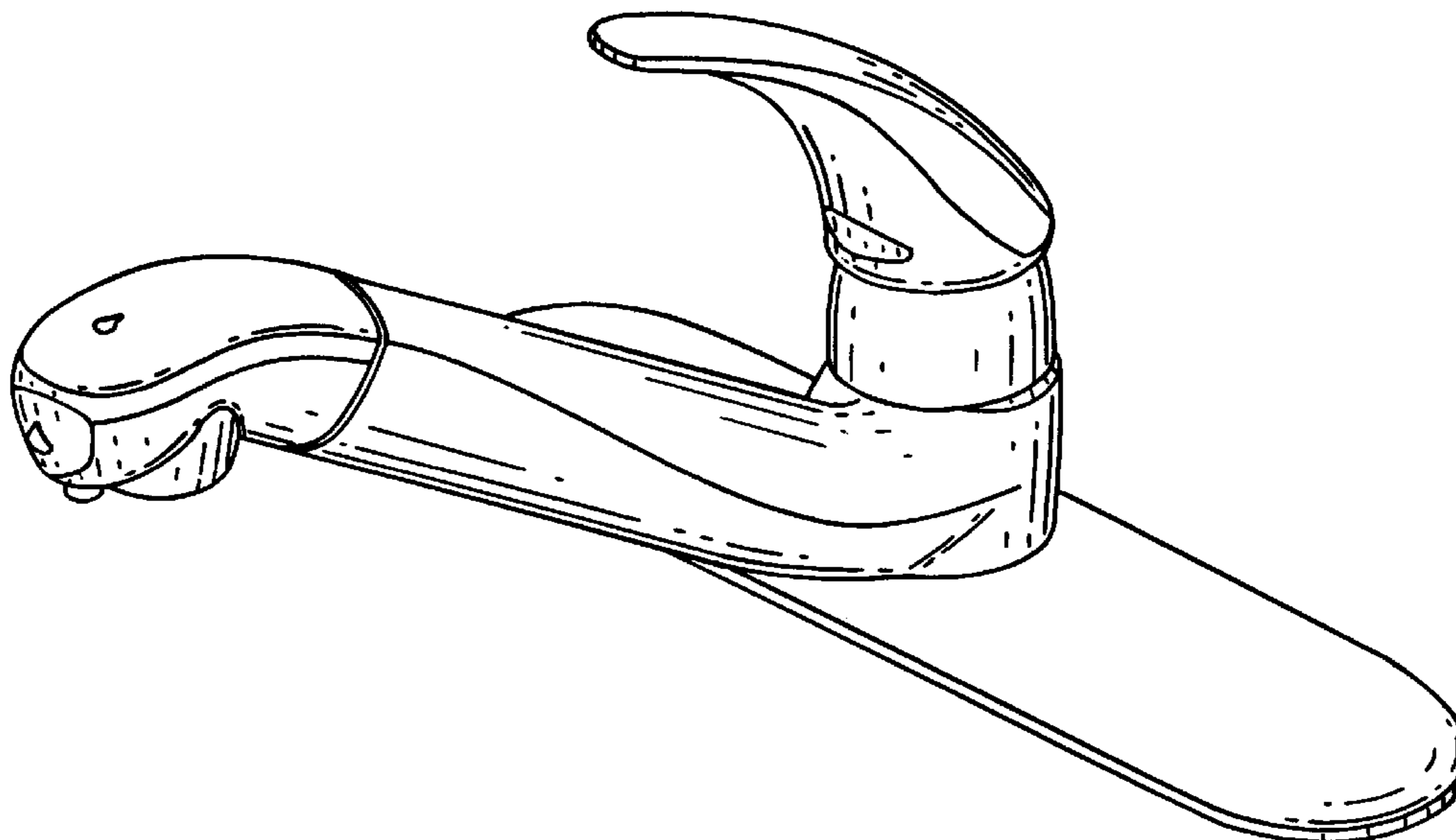


FIG. 1.

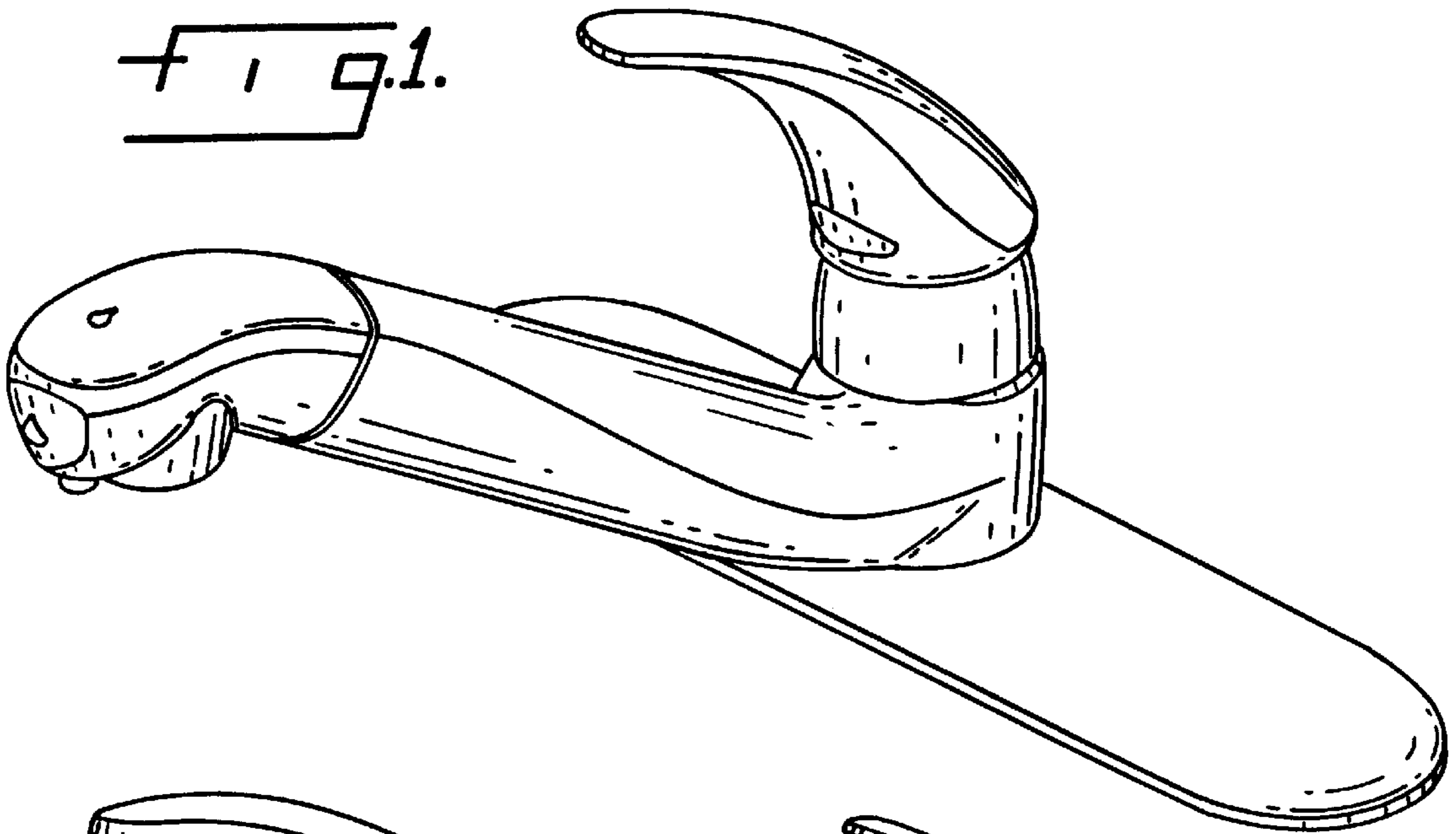


FIG. 2.

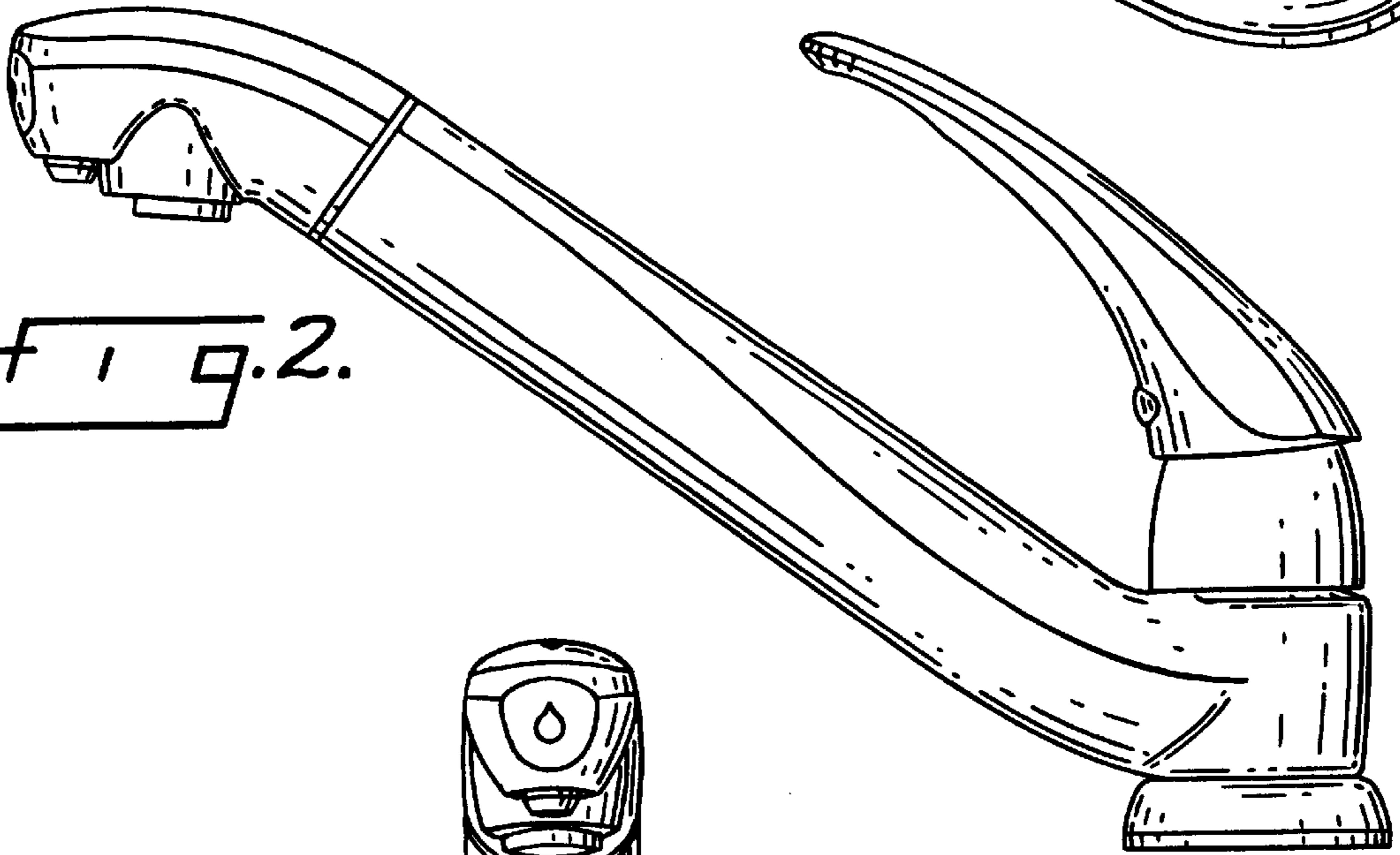


FIG. 3.

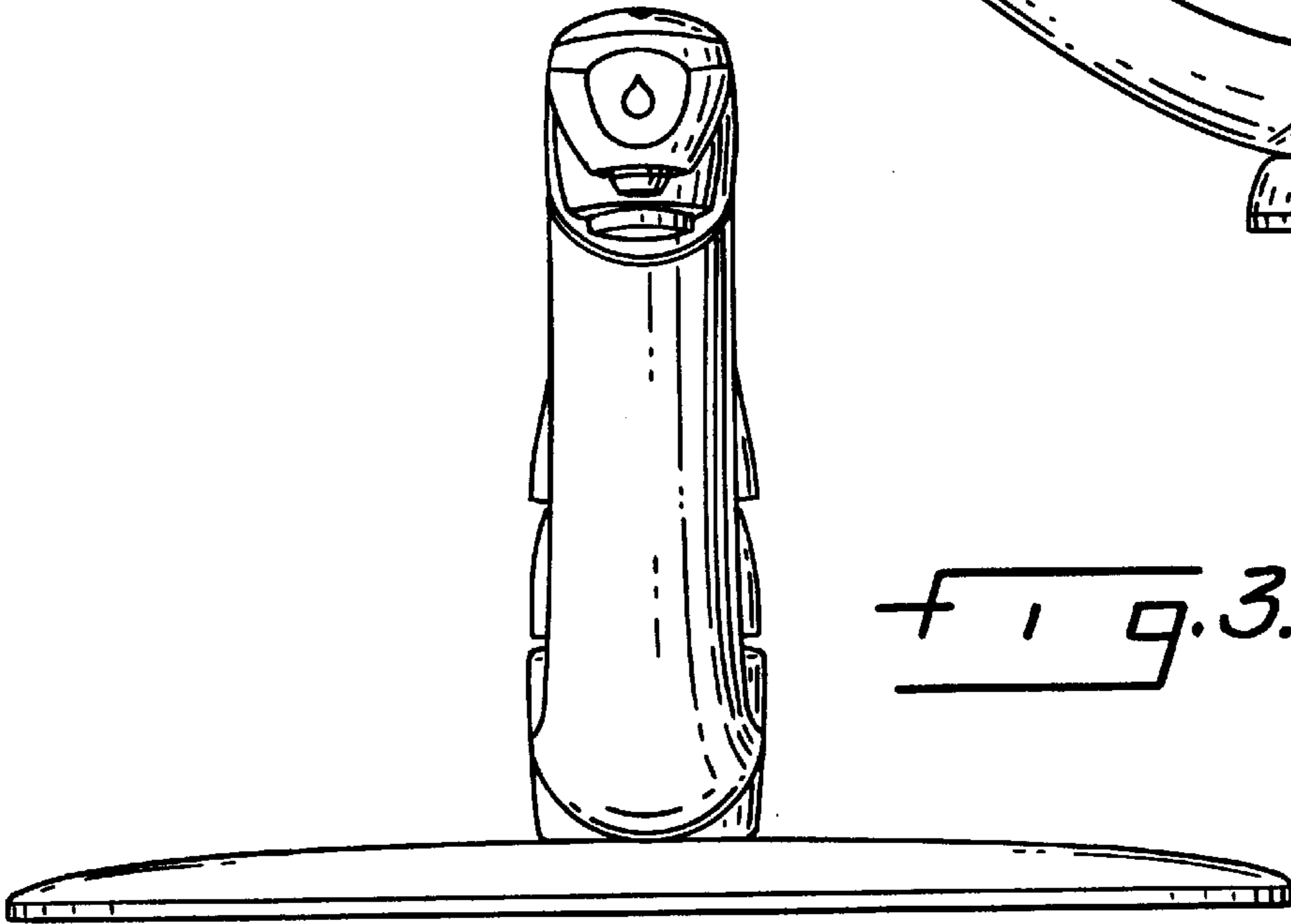


FIG. 5.

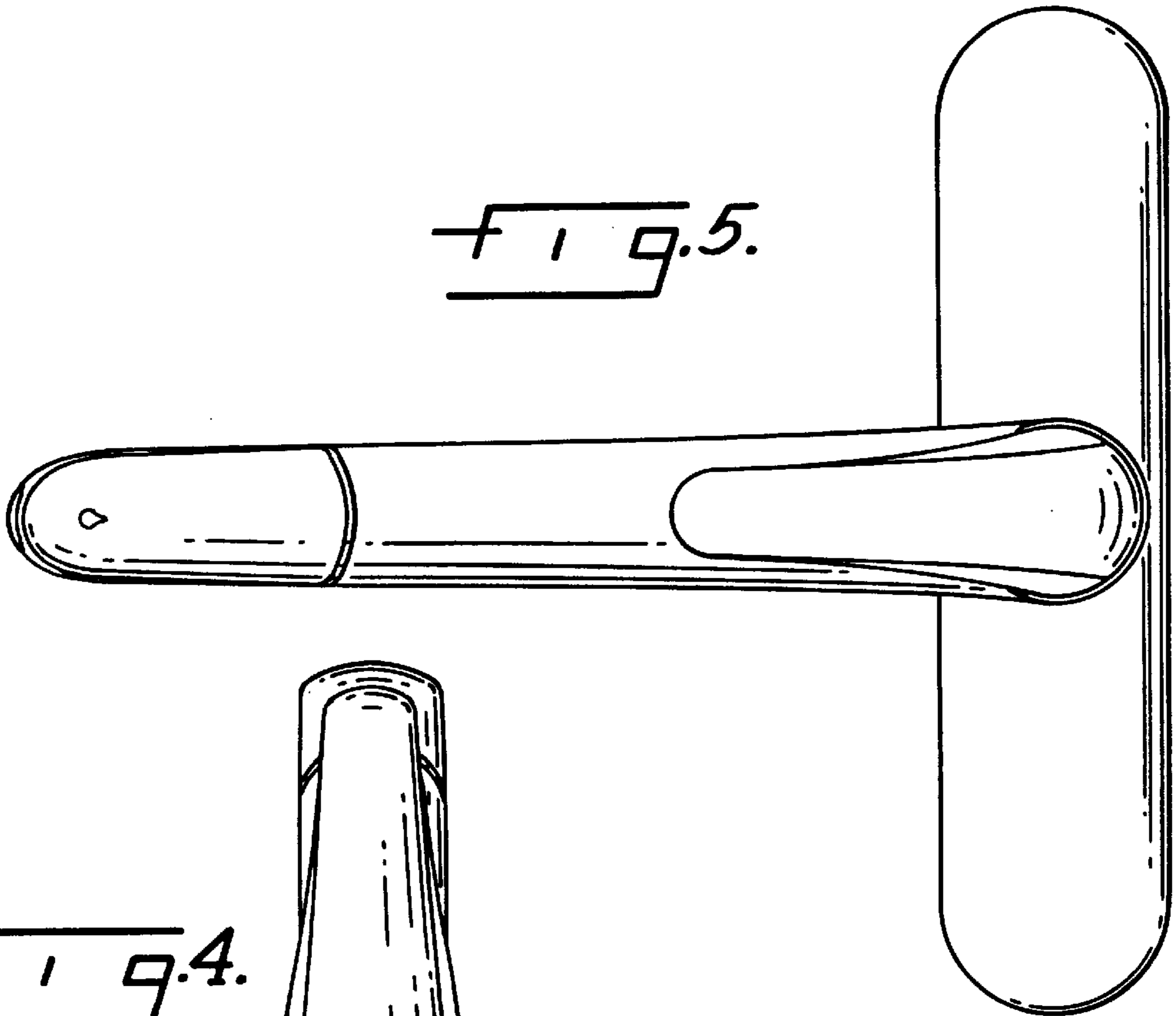


FIG. 4.

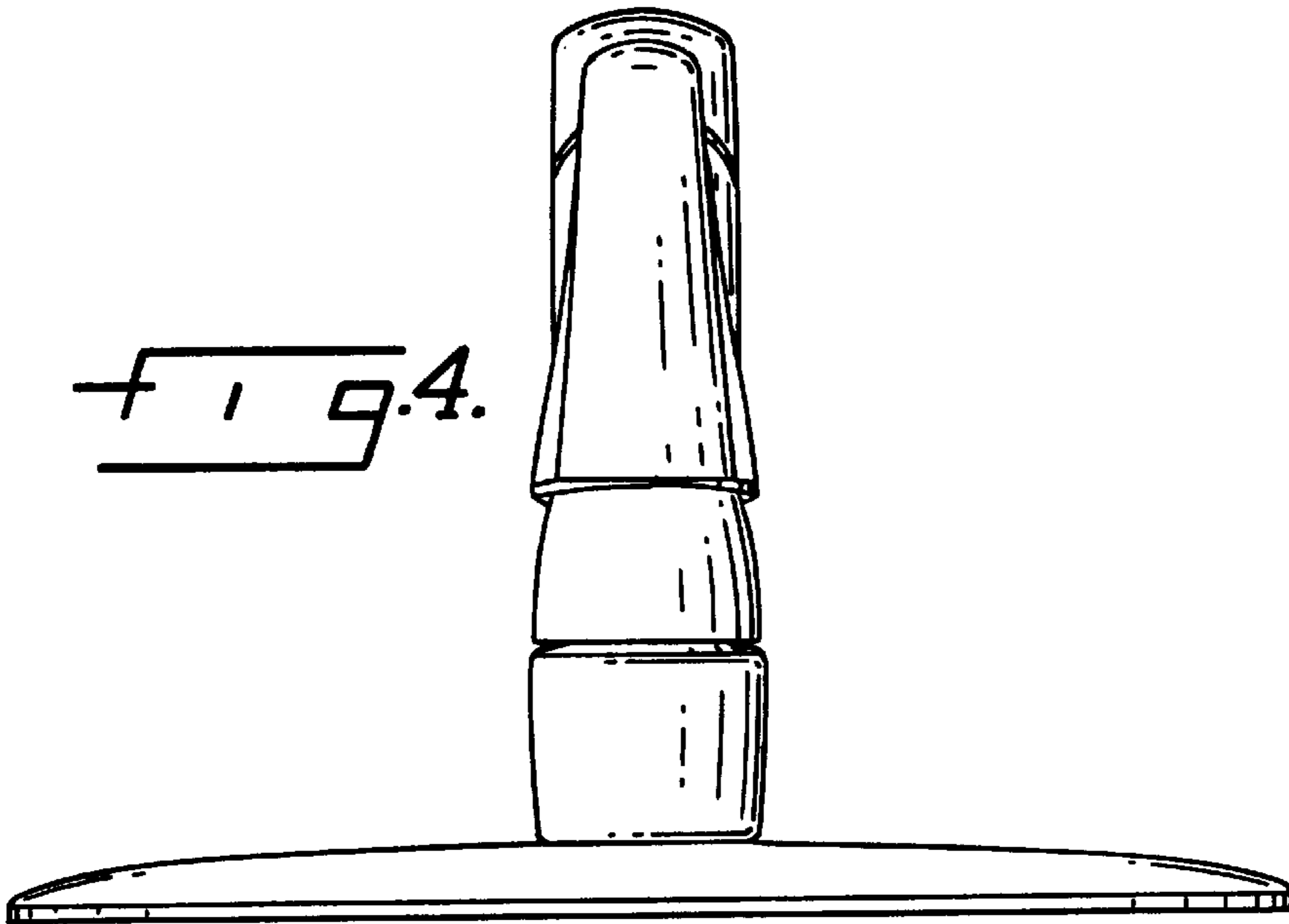
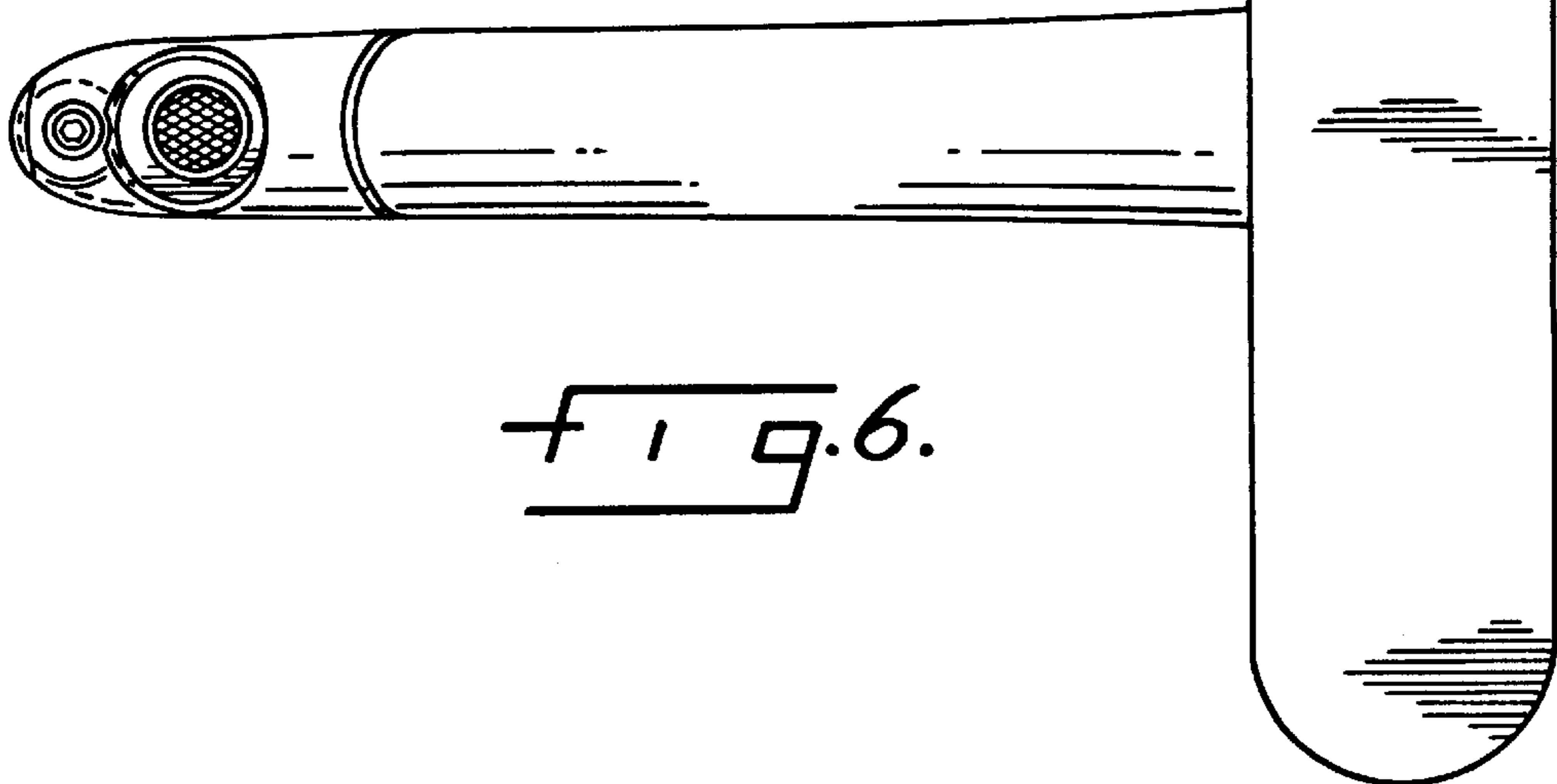


FIG. 6.



UNITED STATES PATENT AND TRADEMARK OFFICE
CERTIFICATE OF CORRECTION

Page 1 of 4

PATENT NO. : Des. 415,826
DATED : October 26, 1999
INVENTOR(S) : Costello, et al

It is certified that error appears in the above-identified patent and that said Letters Patent is hereby corrected as shown below:

The title page, showing the illustrative figure should be deleted and replace with the attached title page.

In the Drawings:

Delete drawing sheets consisting of Figures 1-6, and insert the following drawings consisting of Figures 1-6, per attached drawing sheets.

Signed and Sealed this
Thirty-first Day of October, 2000

Attest:



Q. TODD DICKINSON

Attesting Officer

Director of Patents and Trademarks

United States Patent [19]
Costello et al.

[11] **Patent Number:** **Des. 415,826**

[45] **Date of Patent:** **** Oct. 26, 1999**

[54] **FAUCET SPOUT**

[75] **Inventors:** **John C. Costello, Wesley; Kevin R. Young, Newton; Roy A. Thompson, Mattapan, all of Mass.**

[73] **Assignee:** **Moen Incorporated, North Olmsted, Ohio**

[**] **Term:** **14 Years**

[21] **Appl. No.:** **29/096,886**

[22] **Filed:** **Nov. 23, 1998**

[51] **LOC (6) Cl.** **23-01**

[52] **U.S. Cl.** **D23/255**

[58] **Field of Search** **D23/238-243, D23/250-257; 4/675-678; 137/801**

[56] **References Cited**

U.S. PATENT DOCUMENTS

- D. 149,398 4/1948 Bauberger .
- D. 213,874 4/1969 Landell .
- D. 258,522 3/1981 Thevenot .
- D. 258,523 3/1981 Thevenot .
- D. 276,257 11/1984 Fabian .
- D. 280,437 9/1985 Rademacher .
- D. 289,318 4/1987 Yost .
- D. 308,568 6/1990 Strignano .
- D. 315,397 3/1991 Knapp .
- D. 324,905 3/1992 Chretien .
- D. 344,324 2/1994 Mattis .
- D. 359,342 6/1995 Doughty et al. .
- D. 363,534 10/1995 Hill et al. .
- D. 364,211 11/1995 Hill et al. .
- D. 364,212 11/1995 Hill et al. .
- D. 367,699 3/1996 Hill et al. .
- D. 373,621 9/1996 Doughty et al. .
- D. 376,414 12/1996 Doughty et al. .
- D. 380,809 7/1997 Warshawsky .
- D. 384,401 9/1997 Doughty et al. .
- D. 390,639 2/1998 Ming-hua .

- D. 390,919 2/1998 Lobermeier .
- D. 392,025 3/1998 Doughty et al. .
- D. 393,696 4/1998 Doughty et al. .

FOREIGN PATENT DOCUMENTS

- 616451 10/1983 Japan .
- 726212 11/1987 Japan .
- 726214 11/1987 Japan .
- M2-5313 7/1993 Japan .
- 886712 9/1993 Japan .
- 912708 8/1994 Japan .
- 07006138 2/1995 Japan .
- 08015638 6/1996 Japan .
- 973818 11/1996 Japan .
- 09011124 3/1997 Japan .
- 986614 4/1997 Japan .
- 986731 4/1997 Japan .
- 09011598 9/1997 Japan .
- 1004203 11/1997 Japan .
- 1016928 5/1998 Japan .
- 163827-1 8/1995 Rep. of Korea .
- 177250 4/1996 Rep. of Korea .

Primary Examiner—Louis S. Zarfes
Assistant Examiner—Eric Watterson
Attorney, Agent, or Firm—Dorn, McEachran, Jambor, Keating

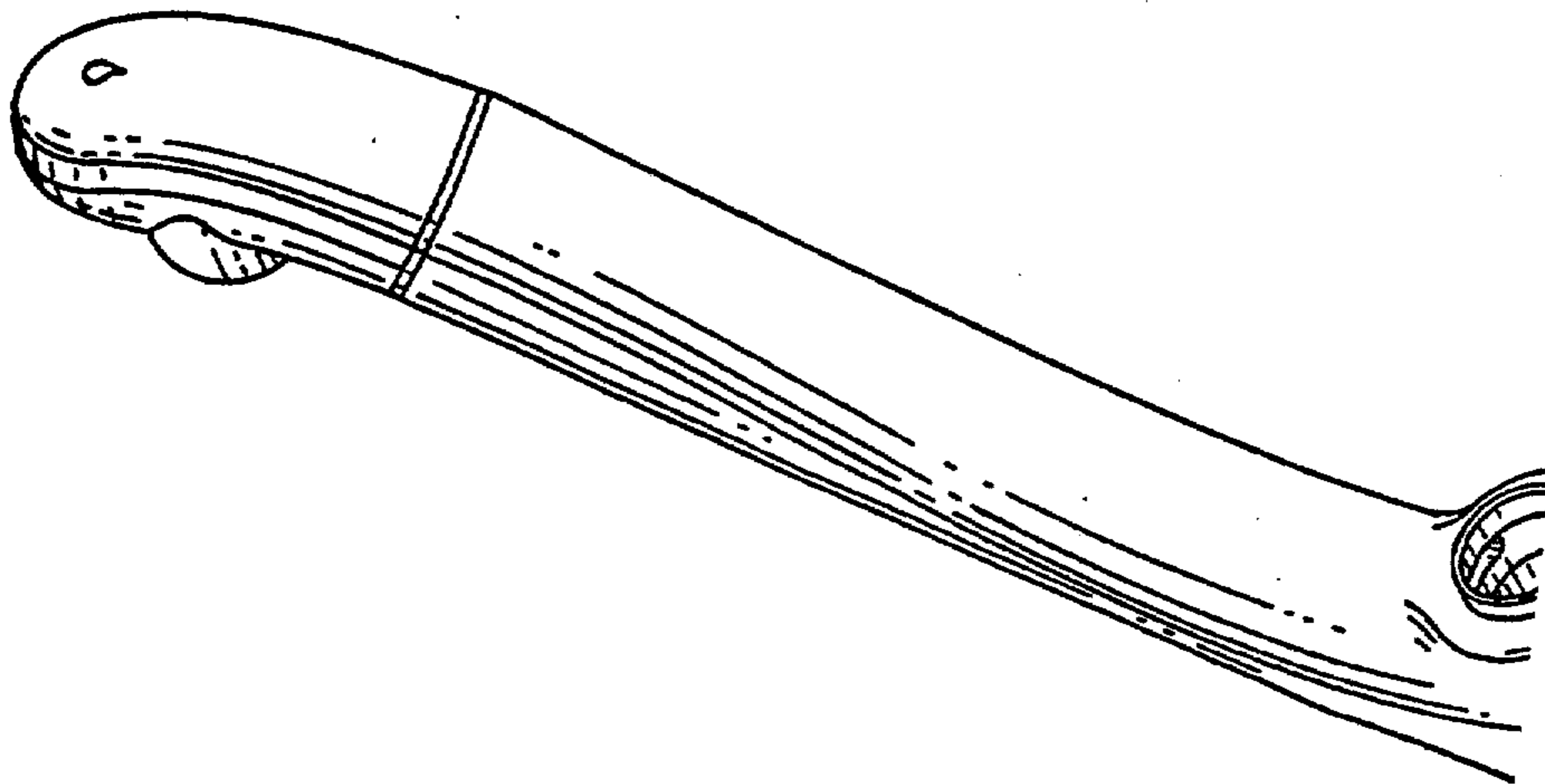
[57] **CLAIM**

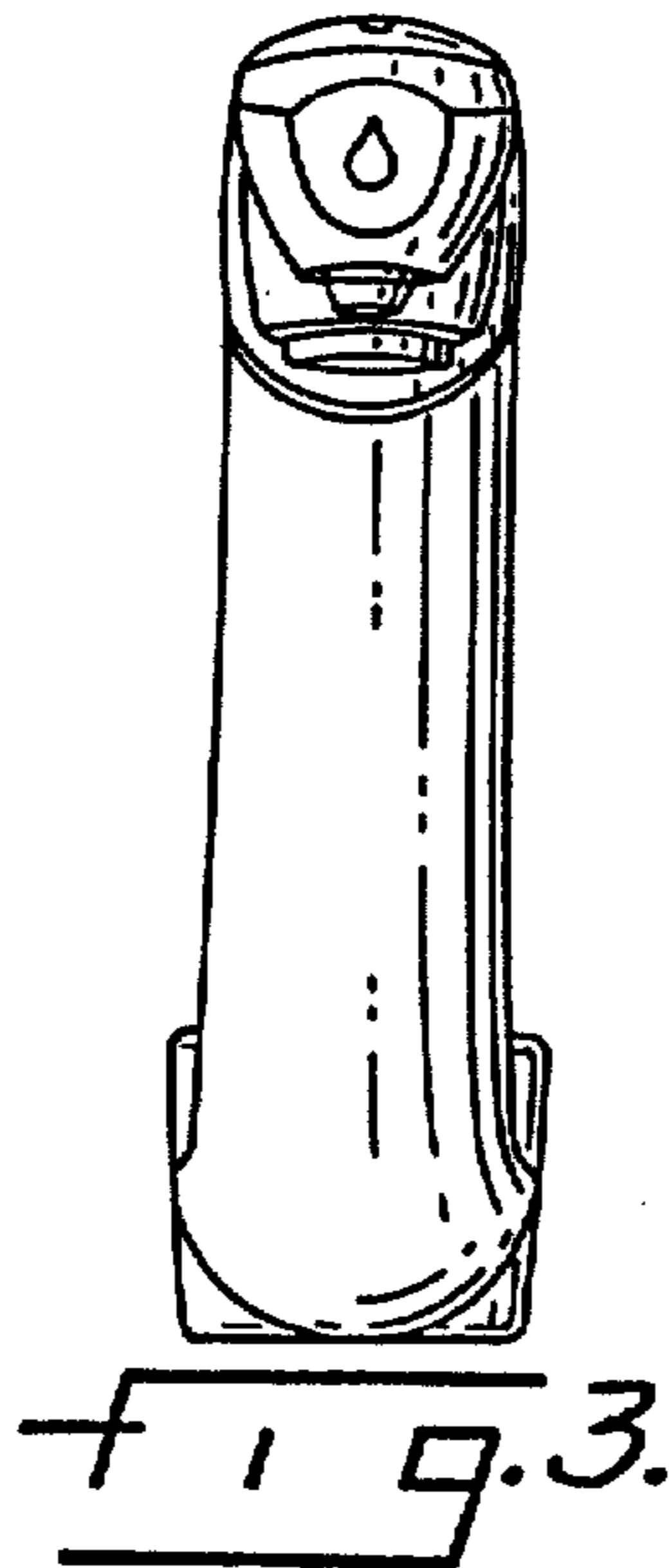
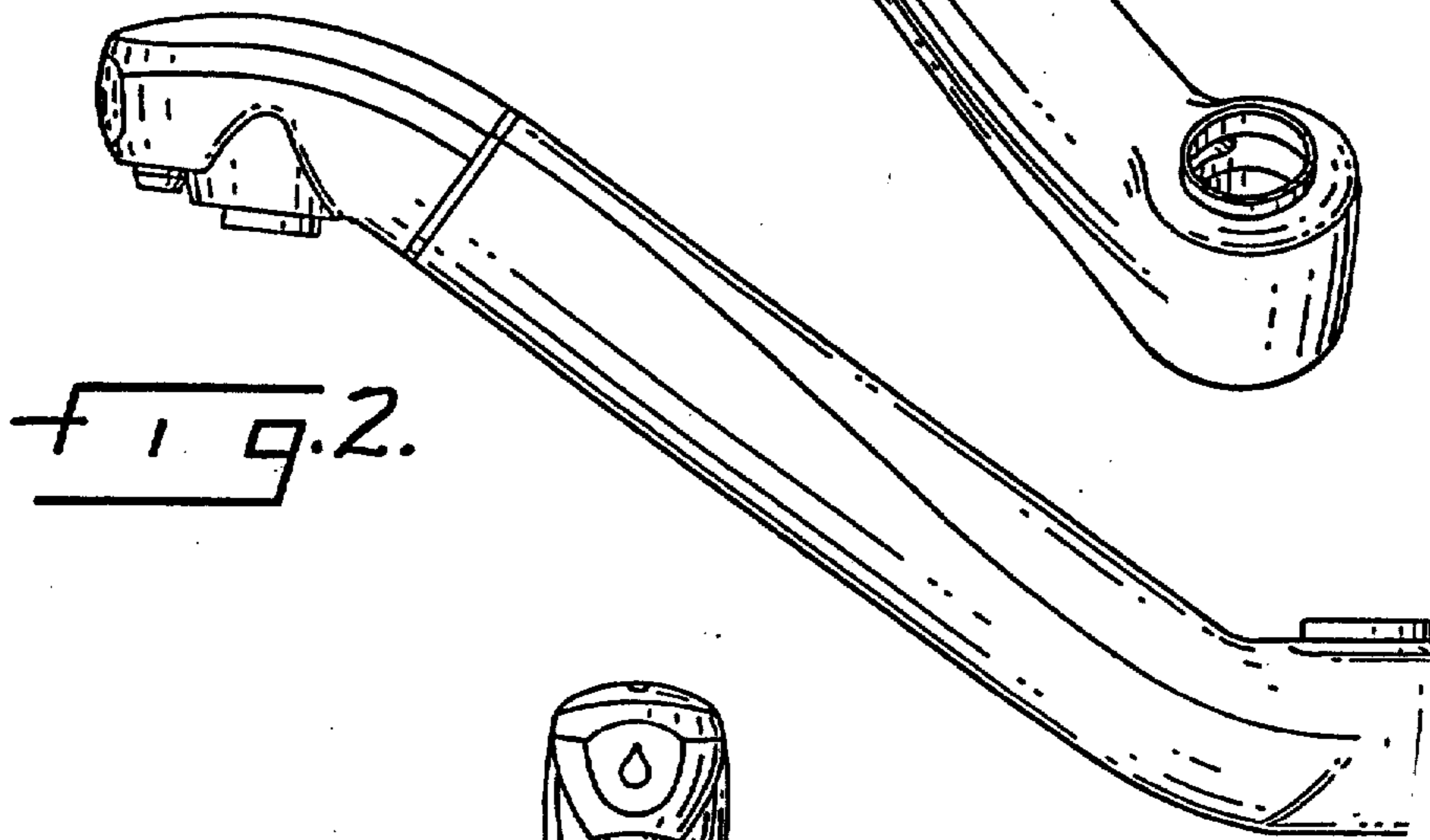
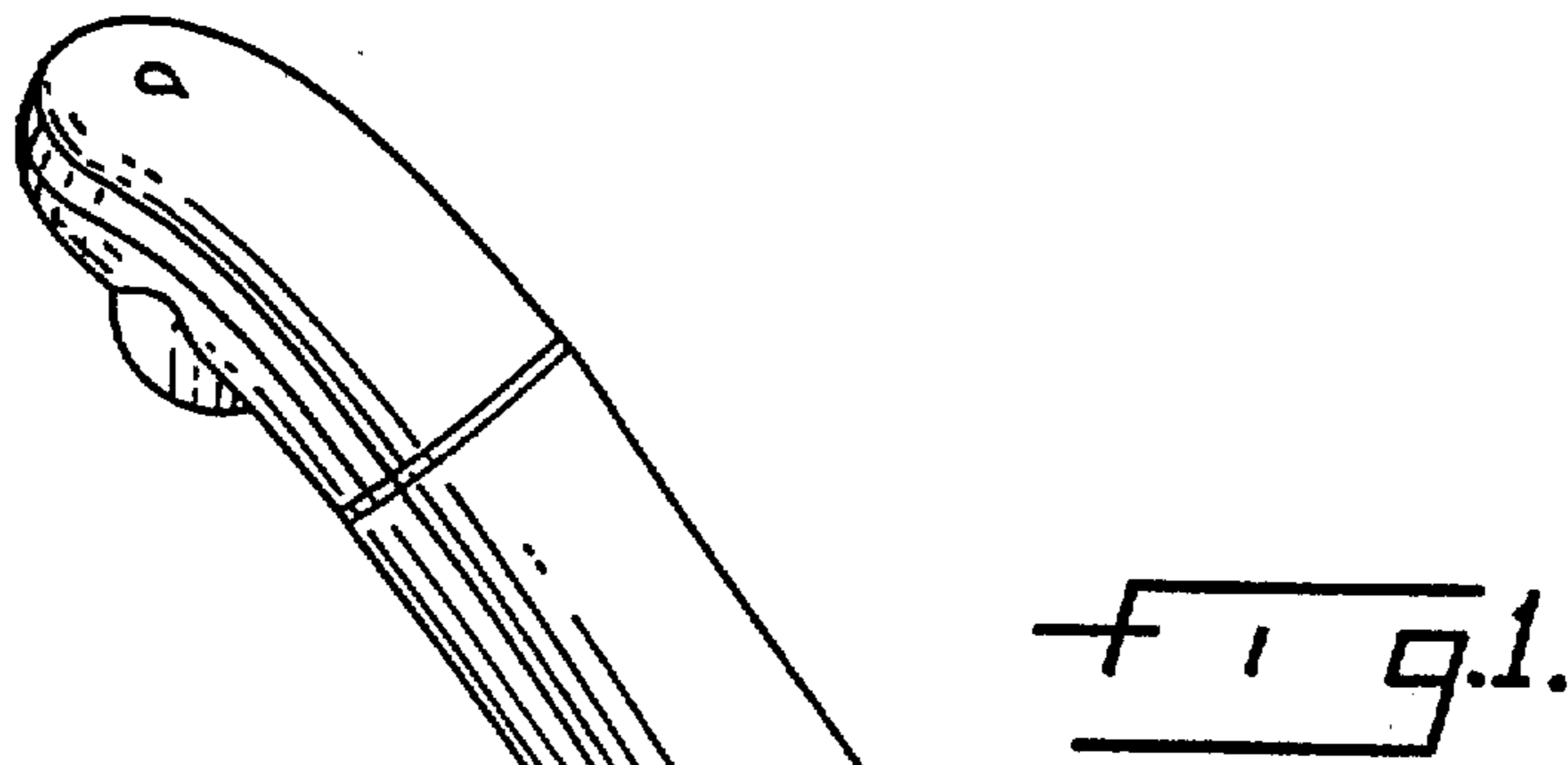
The ornamental design for a faucet spout, as shown & described.

DESCRIPTION

FIG. 1 is a top perspective view, as viewed from the top side, of a faucet spout showing our new design;
 FIG. 2 is a right side view thereof, with the left side being a mirror image;
 FIG. 3 is a front view thereof;
 FIG. 4 is a rear view thereof;
 FIG. 5 is a top view thereof; and,
 FIG. 6 is a bottom view thereof.

1 Claim, 2 Drawing Sheets





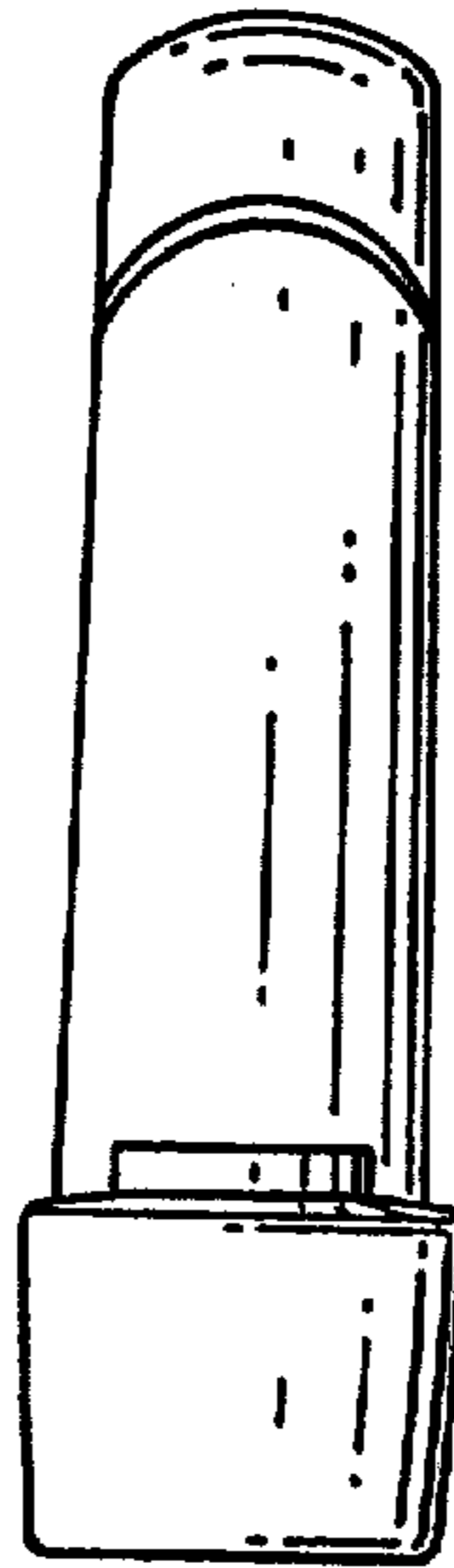


FIG. 4.

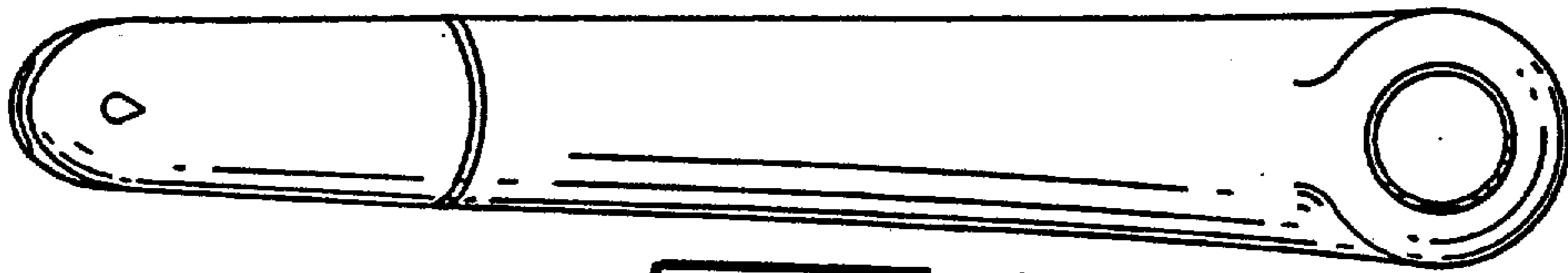


FIG. 5.

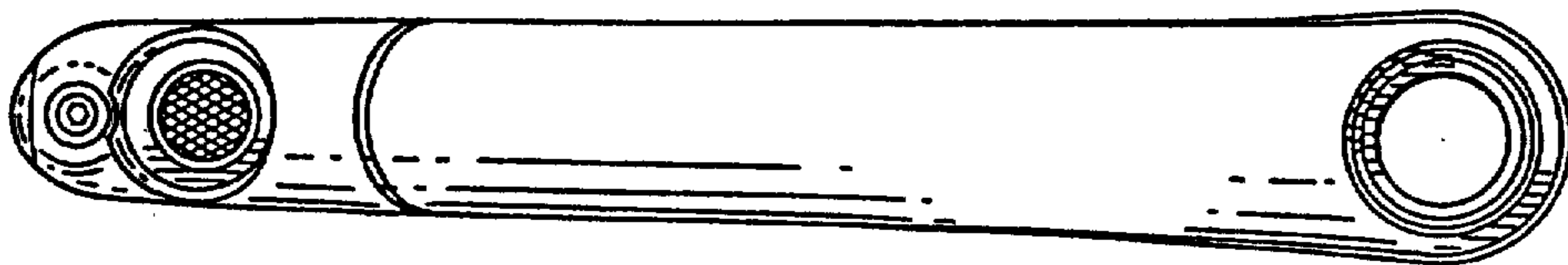


FIG. 6.