



US00D415823S

United States Patent [19] Kuo

[11] Patent Number: **Des. 415,823**

[45] Date of Patent: **** Oct. 26, 1999**

[54] **SPRAY GUN**

5,348,228 9/1994 Wang 239/526
5,501,400 3/1996 Kuo 239/525

[76] Inventor: **Wen-Li Kuo**, No. 10, Fang Dong Road,
Wen Chin Tsun, Fang Yuan Hsiang,
Chang Hua Hsien, Taiwan

Primary Examiner—Robin V. Taylor
Attorney, Agent, or Firm—Bacon & Thomas

[**] Term: **14 Years**

[57] **CLAIM**

The ornamental design for a spray gun, as shown.

[21] Appl. No.: **29/096,249**

DESCRIPTION

[22] Filed: **Nov. 9, 1998**

[51] **LOC (6) Cl.** **23-01**

[52] **U.S. Cl.** **D23/226**

[58] **Field of Search** D23/213, 223,
D23/226, 227; 239/589, 525-528, 459

FIG. 1 is a front view of a spray gun showing my new design;

FIG. 2 is a rear view thereof;

FIG. 3 is a left view thereof;

FIG. 4 is a right view thereof;

FIG. 5 is a top view thereof;

FIG. 6 is a bottom view thereof; and,

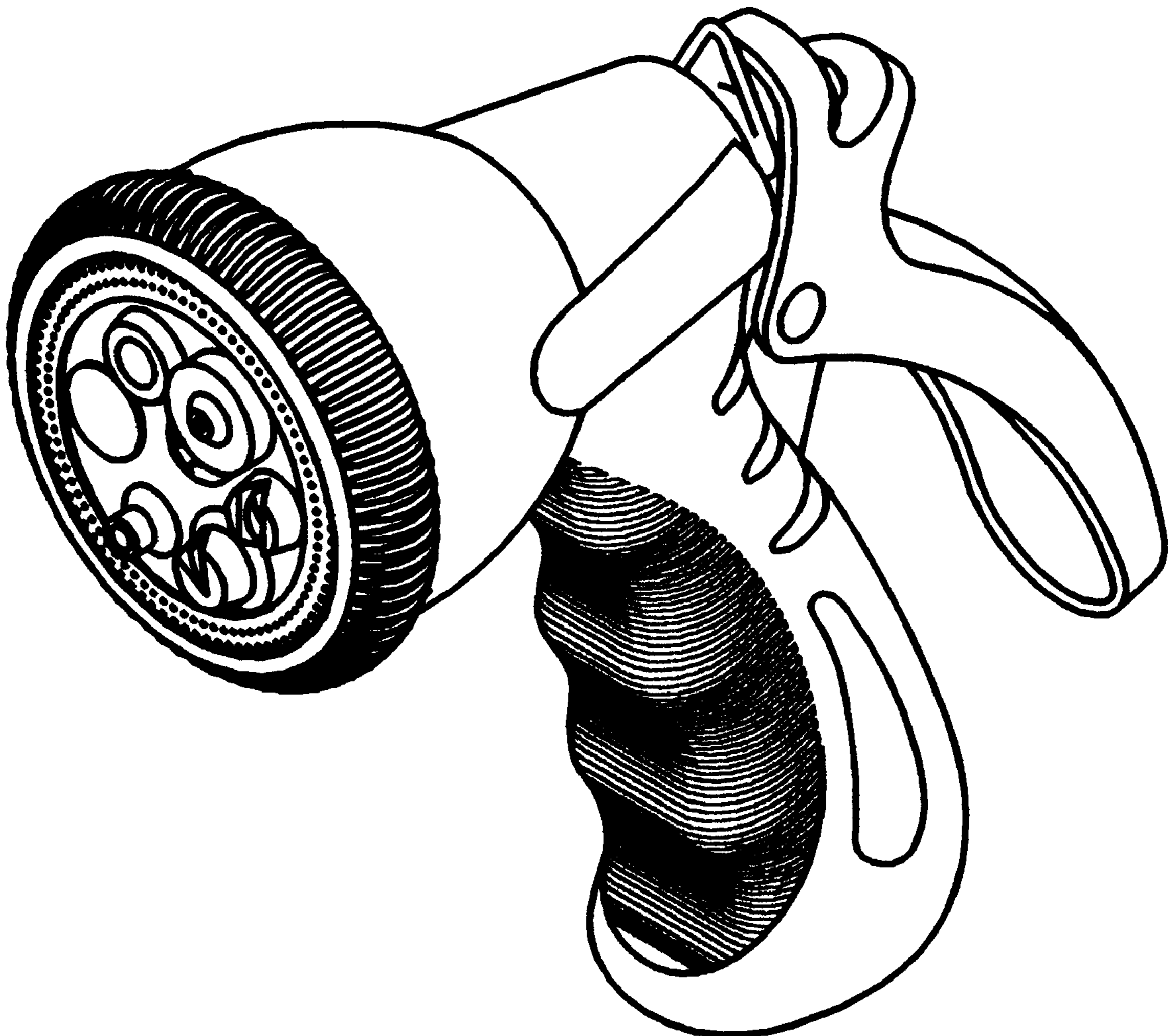
FIG. 7 is a perspective view thereof.

[56] **References Cited**

U.S. PATENT DOCUMENTS

D. 373,814 9/1996 Wang D23/226
D. 394,305 5/1998 Kuo D23/226

1 Claim, 4 Drawing Sheets



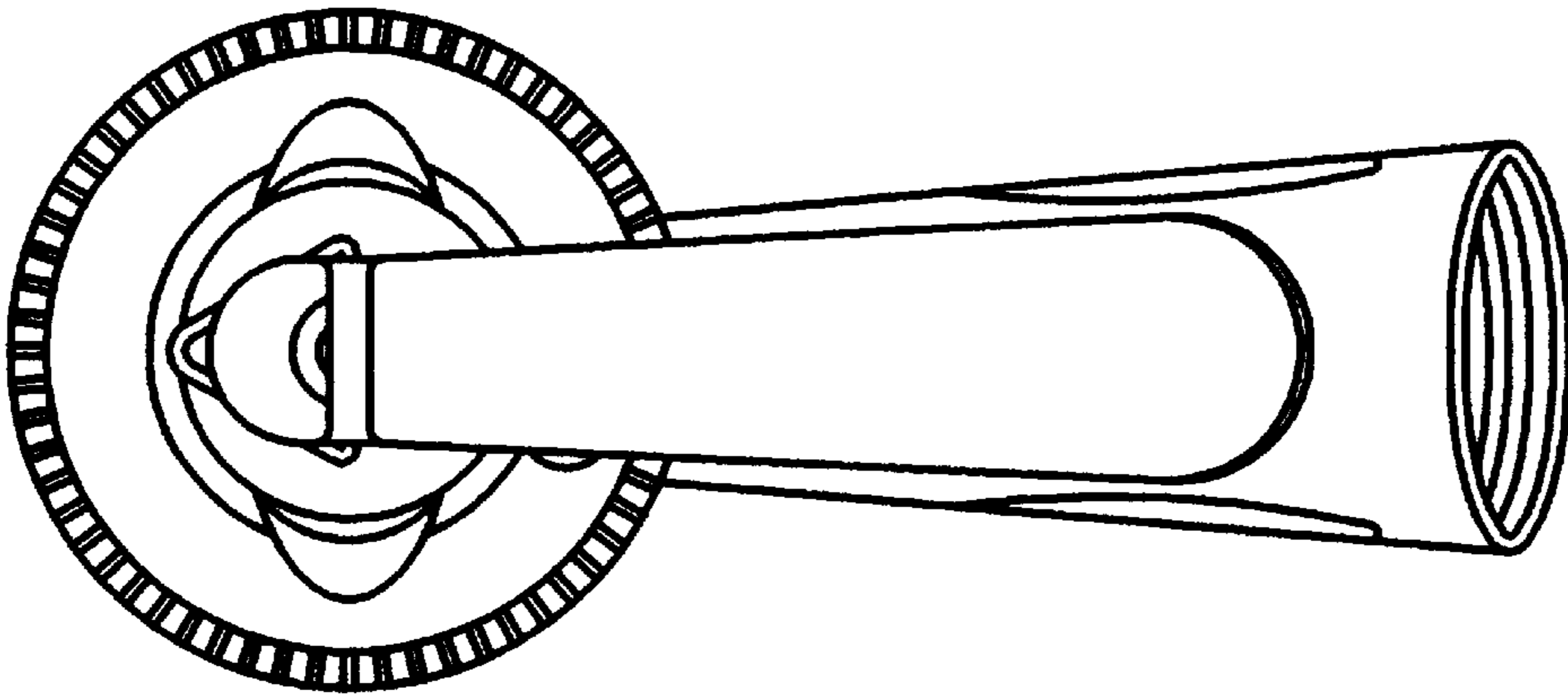


FIG 4

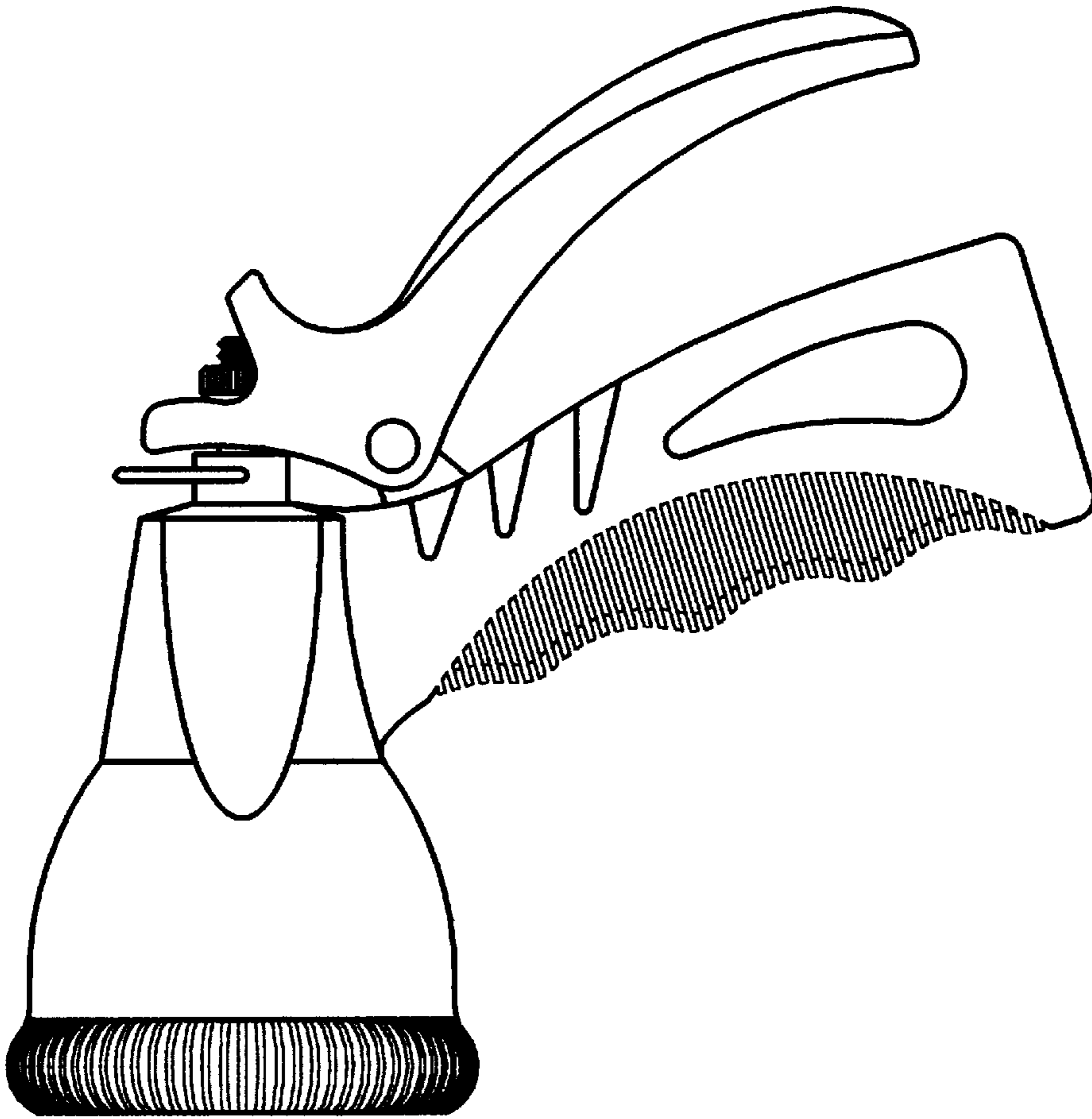


FIG 1

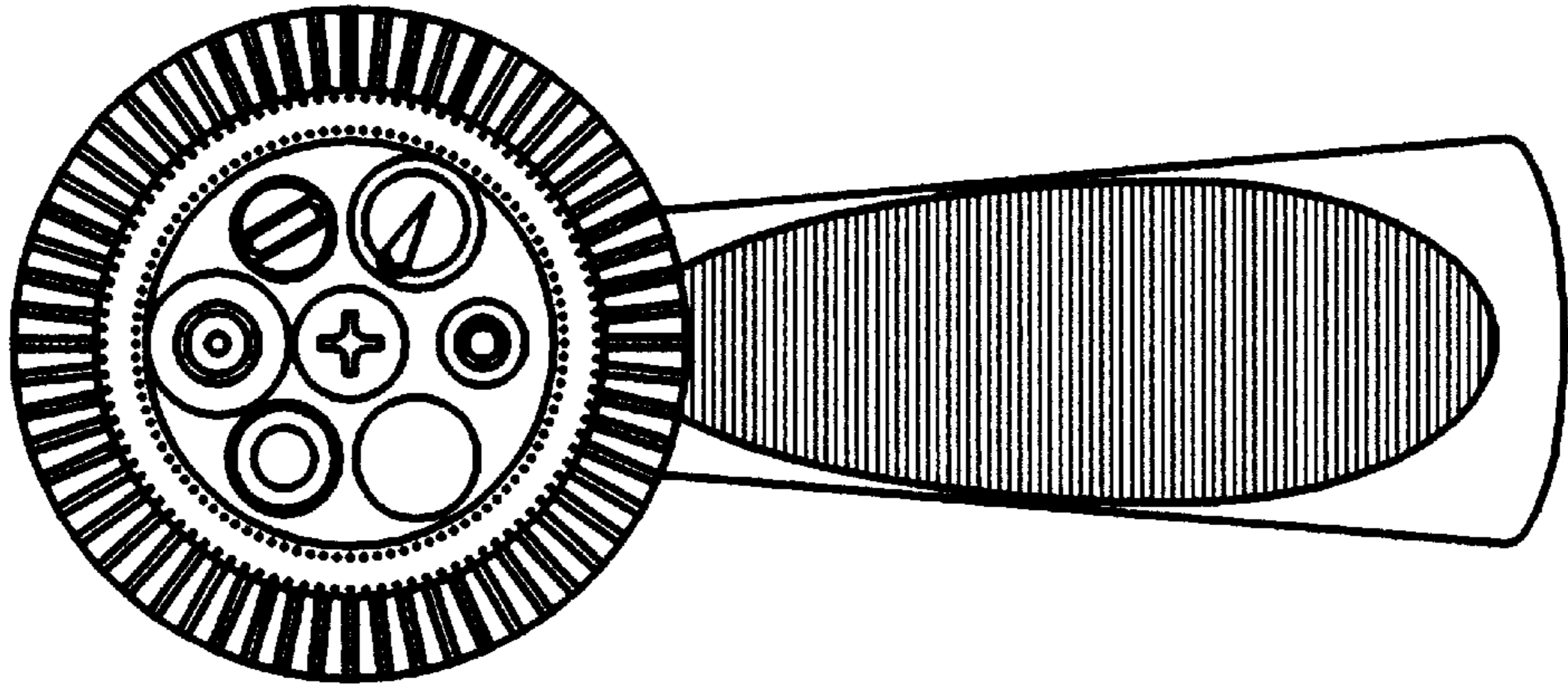


FIG3

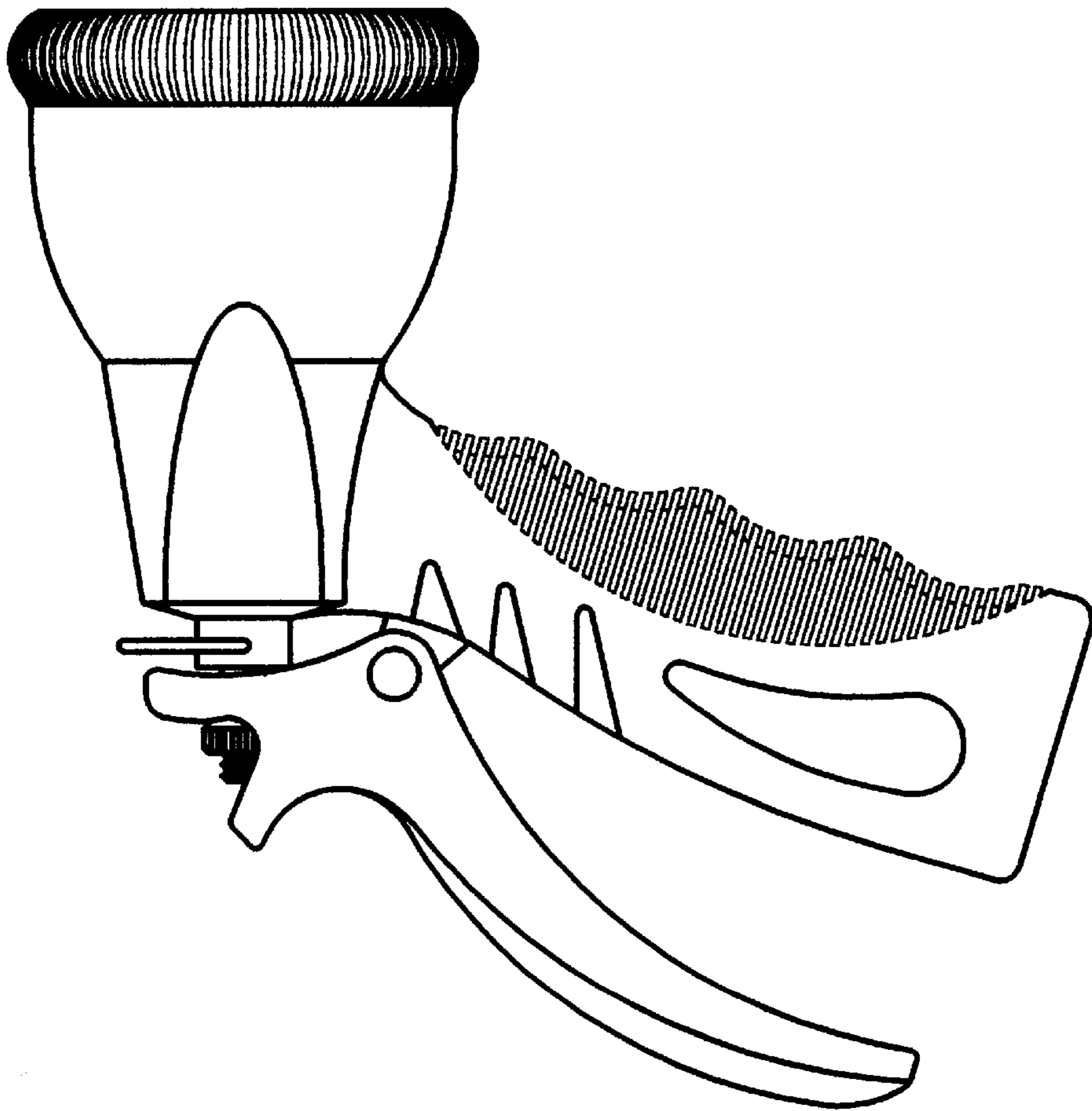


FIG2

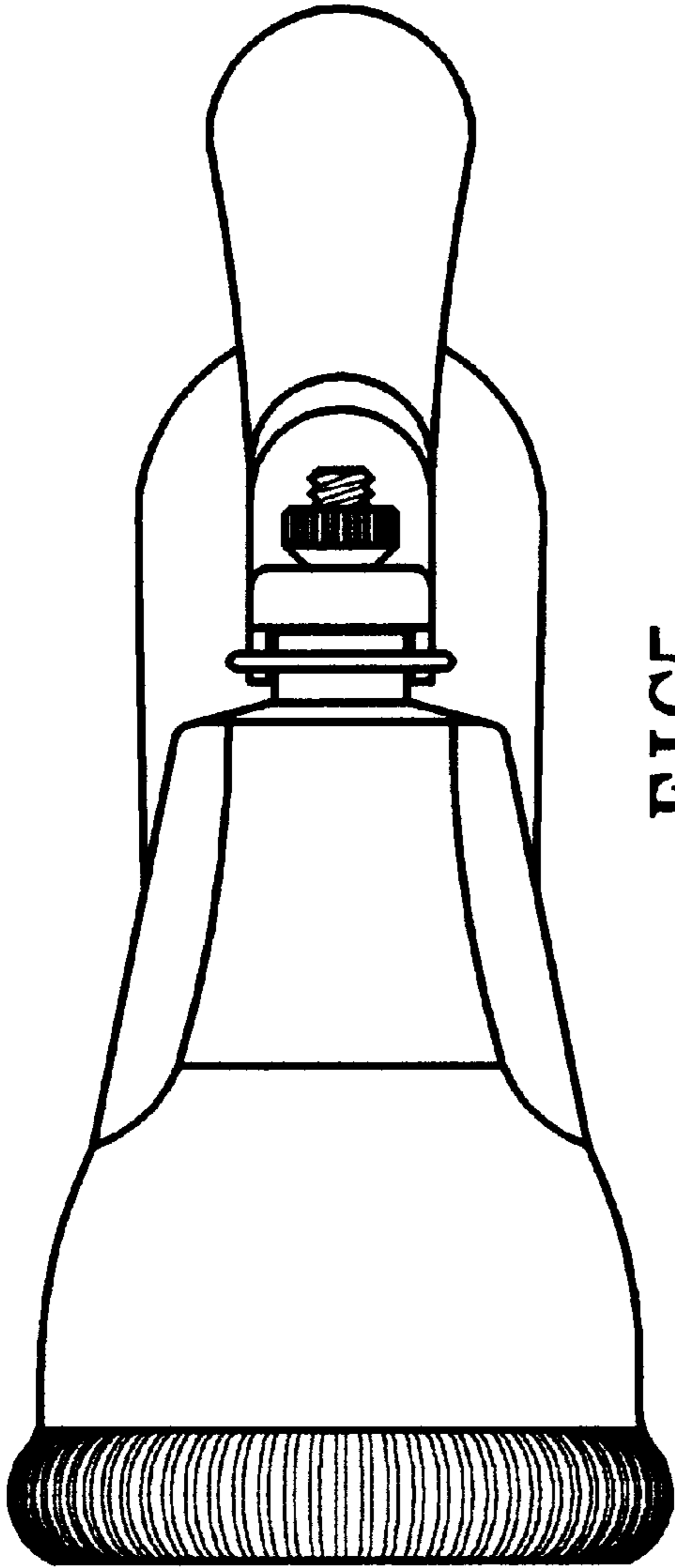


FIG5

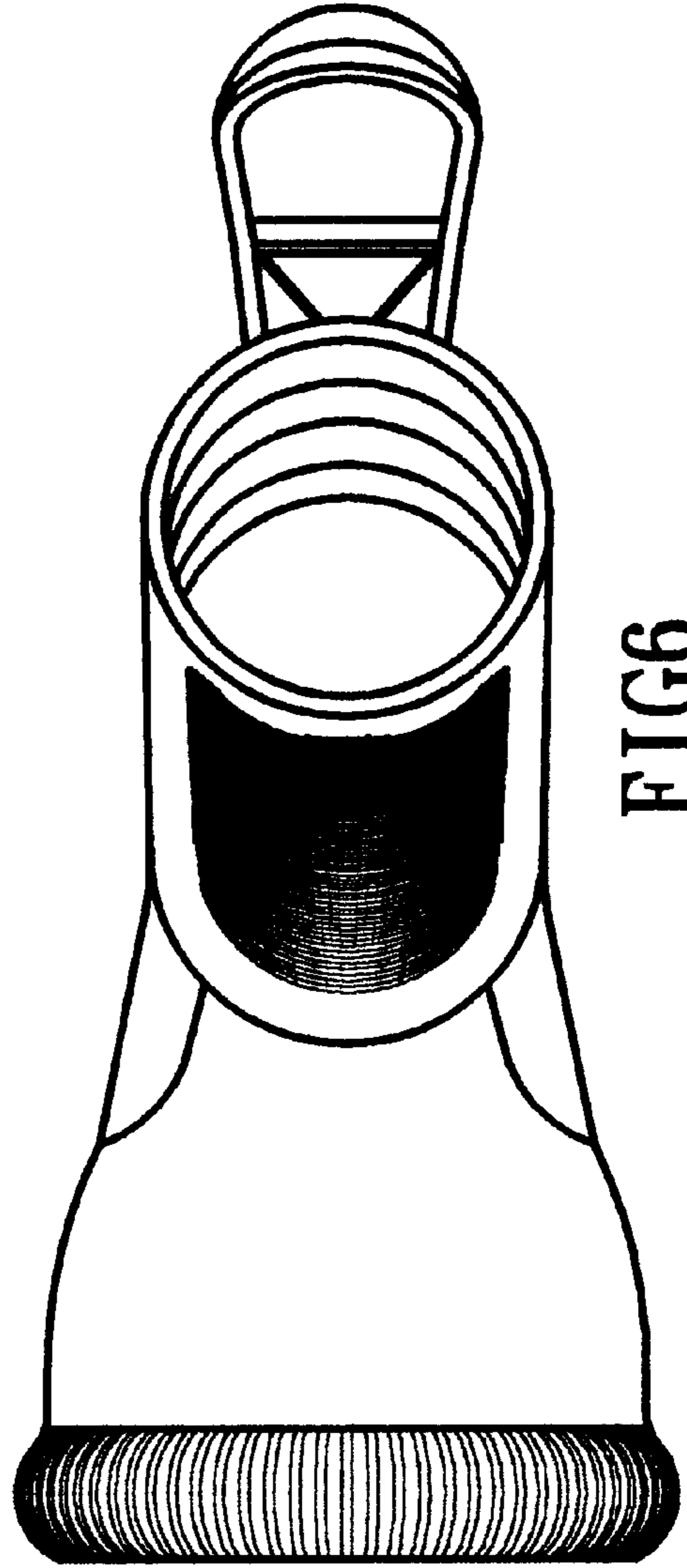


FIG6

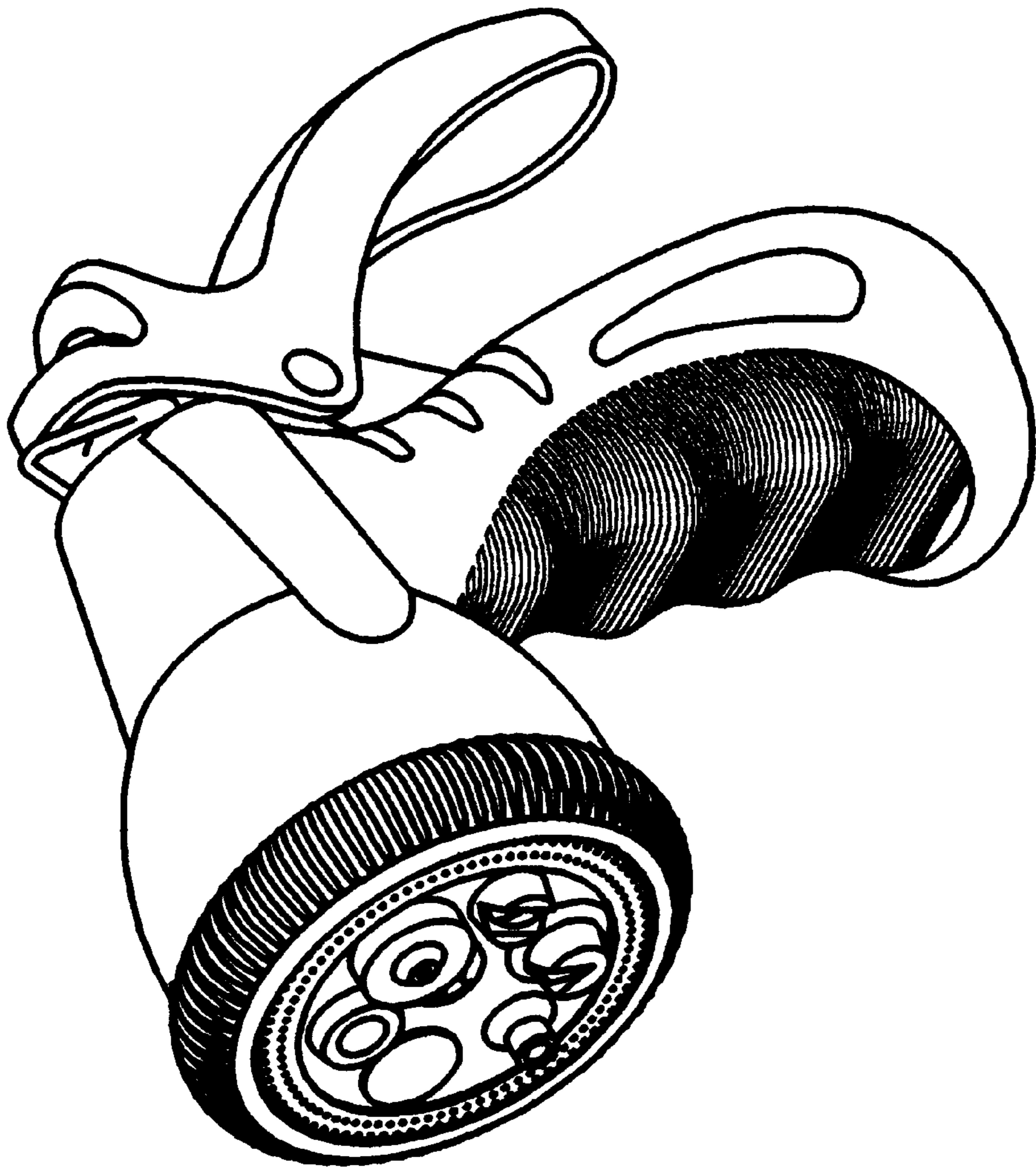


FIG7