



US00D415818S

United States Patent [19]

[11] Patent Number: **Des. 415,818**

Kruepke et al.

[45] Date of Patent: **** Oct. 26, 1999**

[54] **DISTILLER**

Primary Examiner—Robin V. Taylor
Attorney, Agent, or Firm—Michael Best & Friedrich LLP

[75] Inventors: **Annette T. Kruepke**, Jackson; **Alan D. Bengtson**, Shorewood, both of Wis.

[57] **CLAIM**

[73] Assignee: **Premark WB Holdings, Inc.**,
Wilmington, Del.

The ornamental design for a distiller, as shown and described.

[**] Term: **14 Years**

DESCRIPTION

[21] Appl. No.: **29/093,920**

FIG. 1 is a perspective view of a distiller constructed in accordance with one preferred embodiment of the invention; FIG. 2 is an elevation view of the front of the distiller shown in FIG. 1;

[22] Filed: **Sep. 22, 1998**

FIG. 3 is an elevation view of the rear of the distiller shown in FIGS. 1 and 2;

[51] **LOC (6) Cl.** **23-01**

[52] **U.S. Cl.** **D23/207**

FIG. 4 is an elevation view of the right side of the distiller shown in FIGS. 1-3;

[58] **Field of Search** D23/200, 207,
D23/209; D7/309; 202/81, 83, 185.2, 185.5,
185.6

FIG. 5 is an elevation view of the left side of the distiller shown in FIGS. 1-4;

[56] **References Cited**

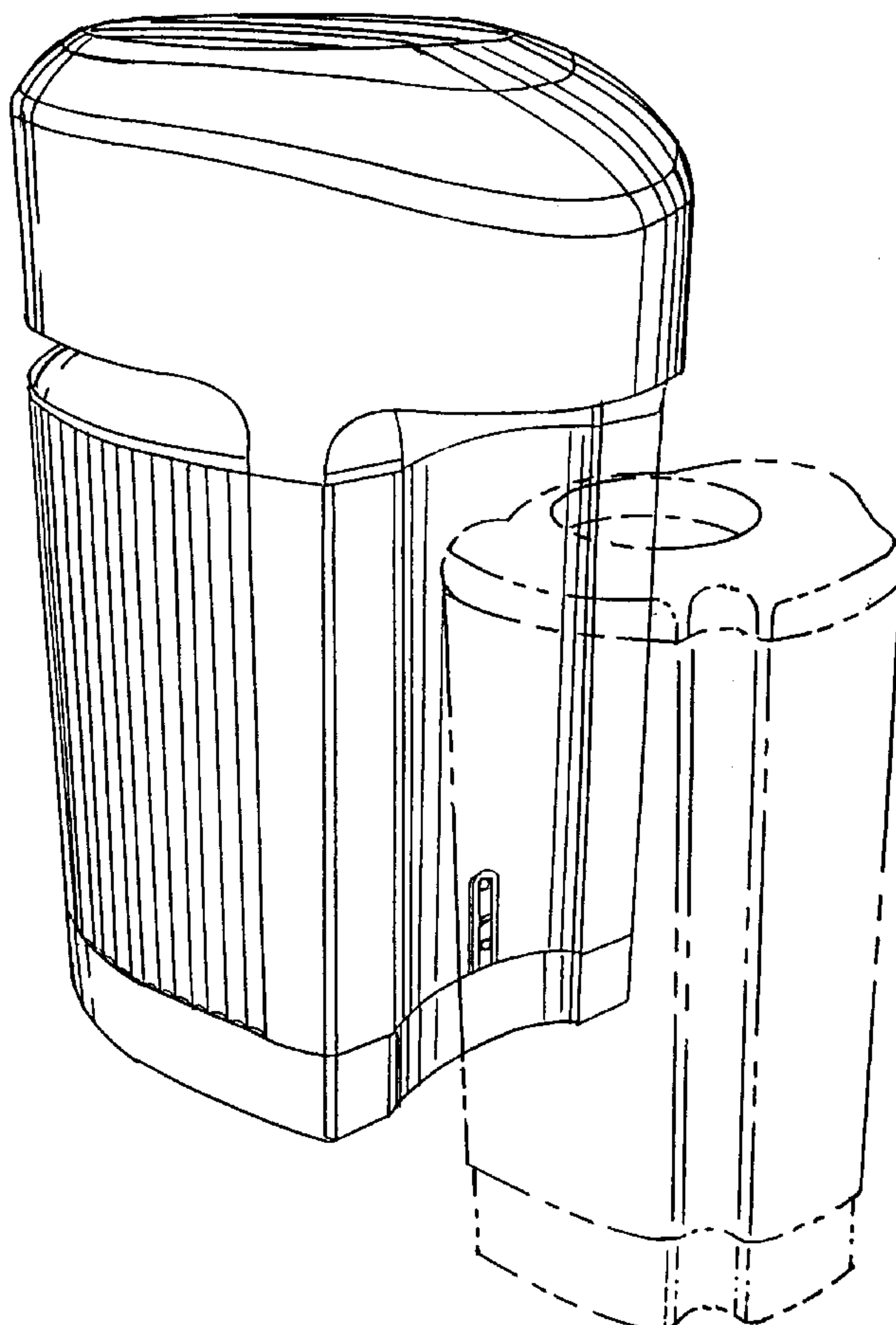
U.S. PATENT DOCUMENTS

D. 195,771	7/1963	Soussloff	D23/207
D. 341,871	11/1993	Bannigan	D23/209
D. 389,556	1/1998	Feldman et al.	D23/207
D. 392,368	3/1998	Micoley	D23/207
5,217,580	6/1993	Chen	202/185.2

FIG. 6 is a top plan view of the distiller shown in FIGS. 1-5; and, FIG. 7 is a bottom plan view of the distiller shown in FIGS. 1-6.

The broken lines on portions of the distiller are for the purpose of illustrating unclaimed environmental structure only.

1 Claim, 7 Drawing Sheets



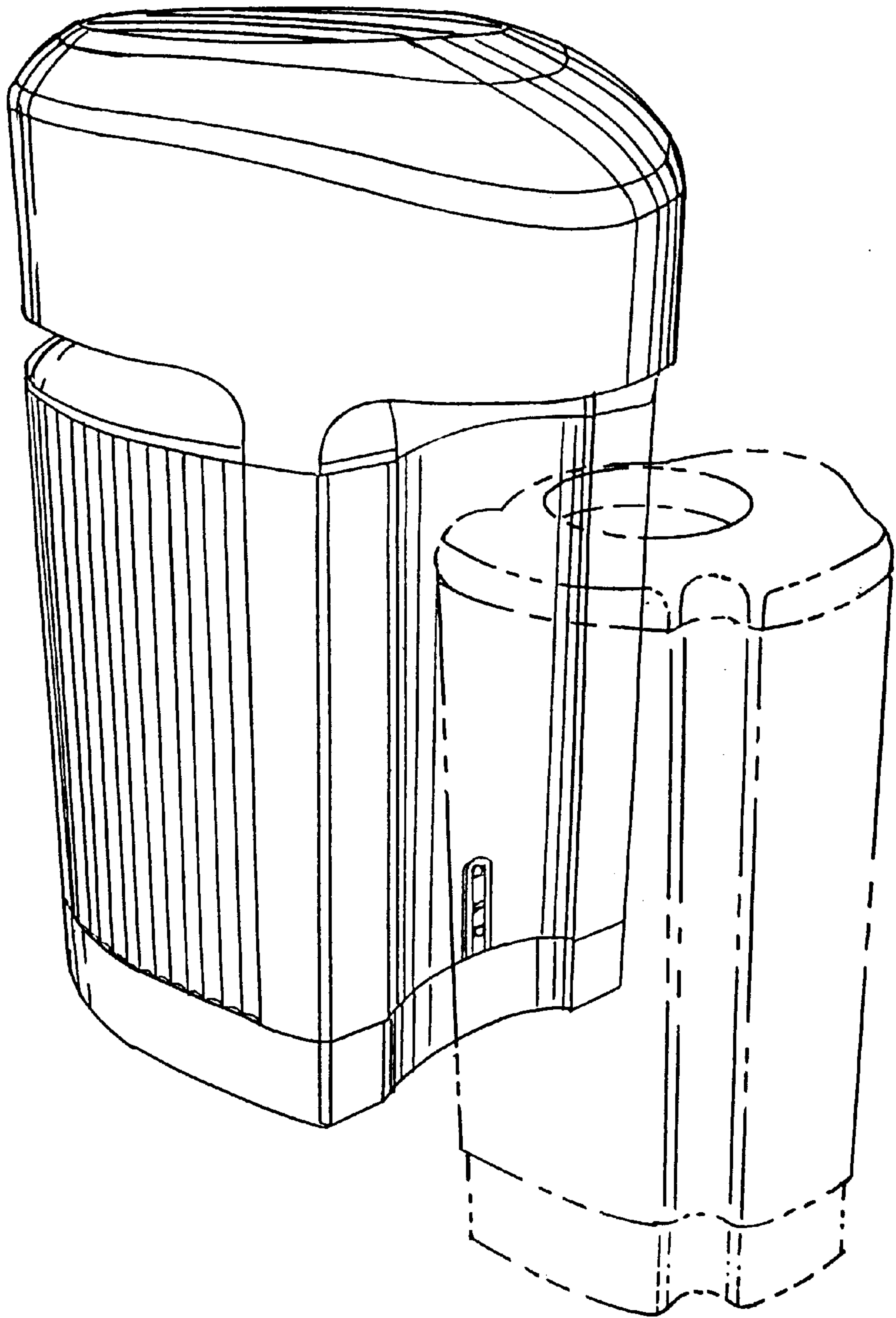


Fig. 1

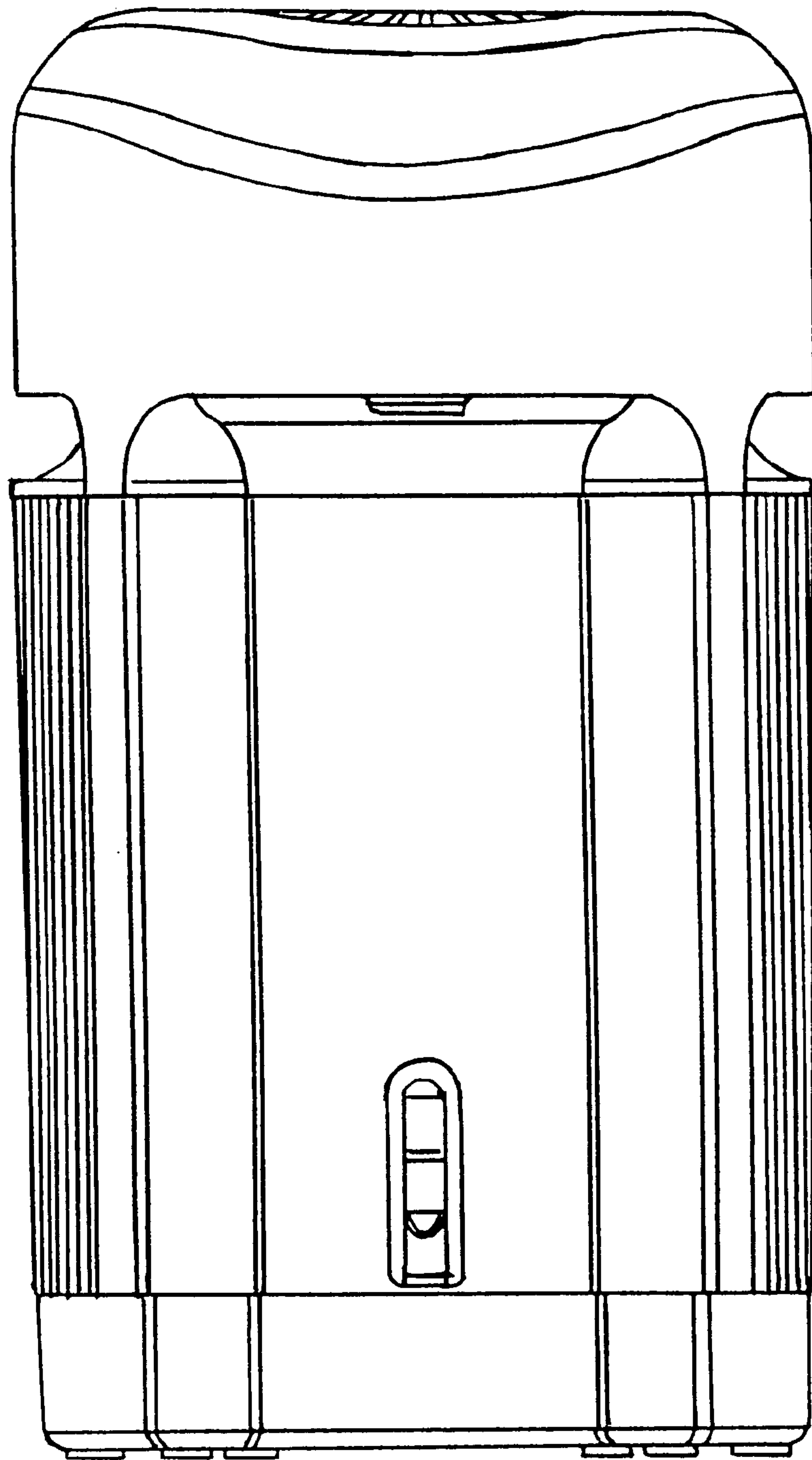


Fig. 2

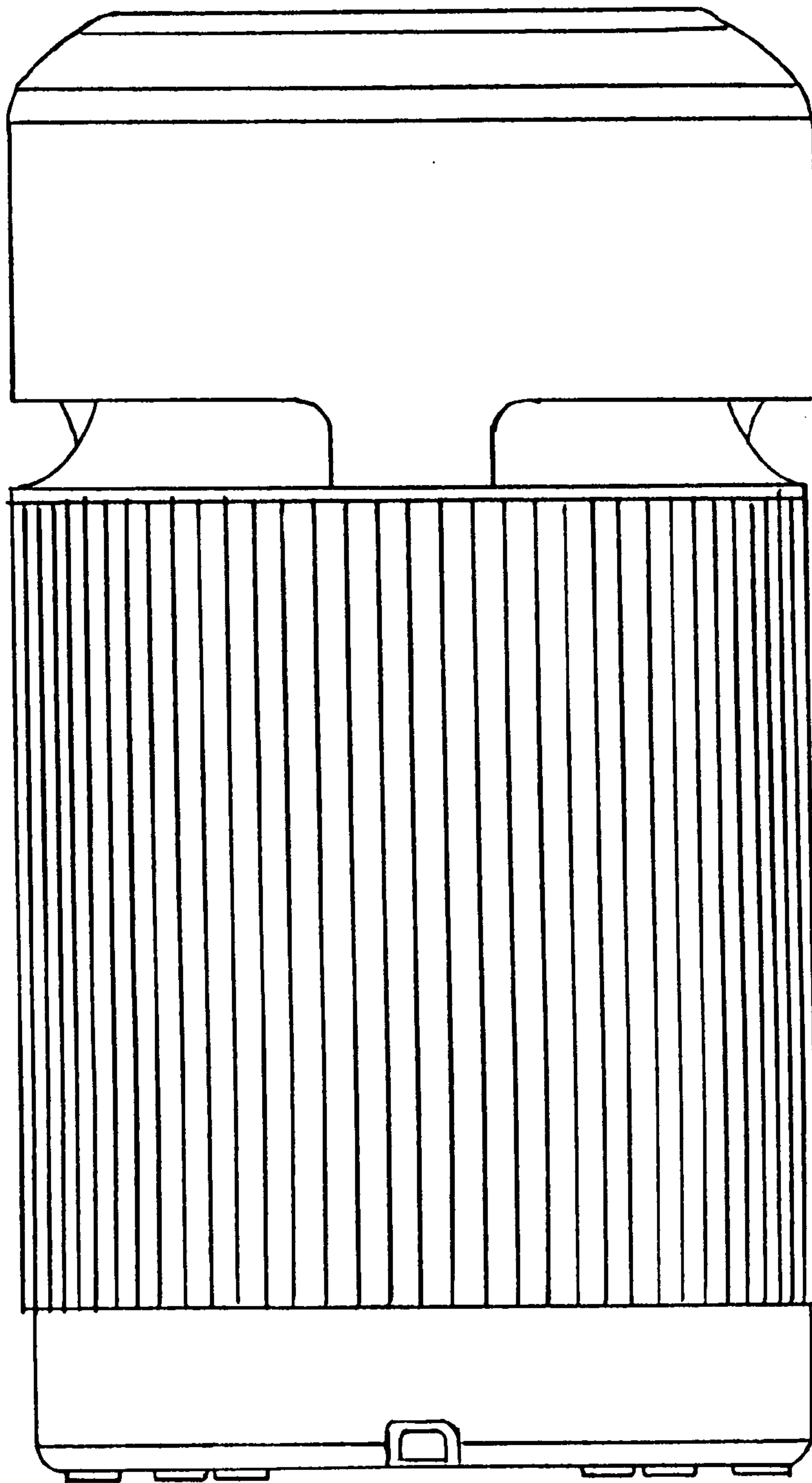


Fig. 3

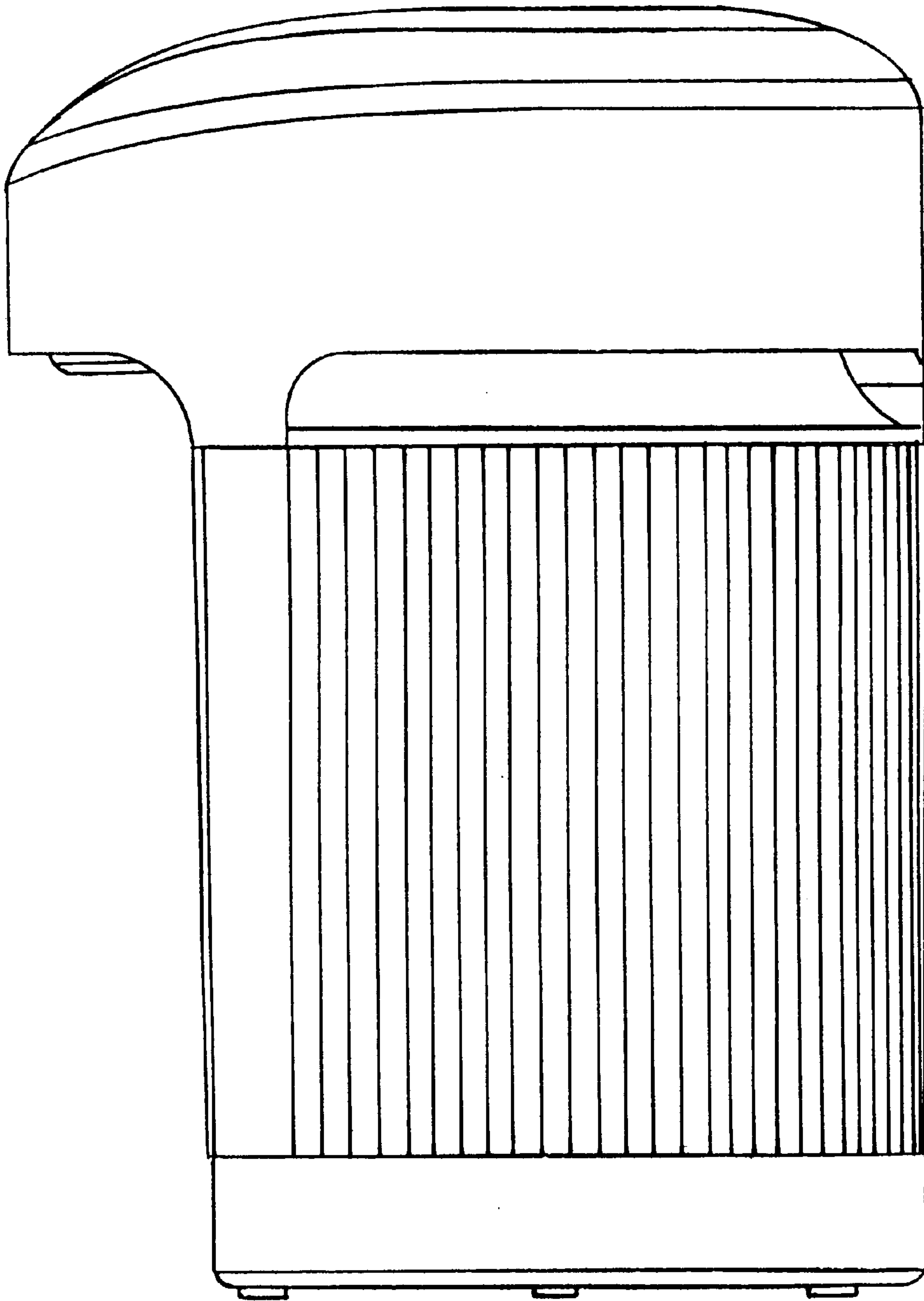


Fig. 4

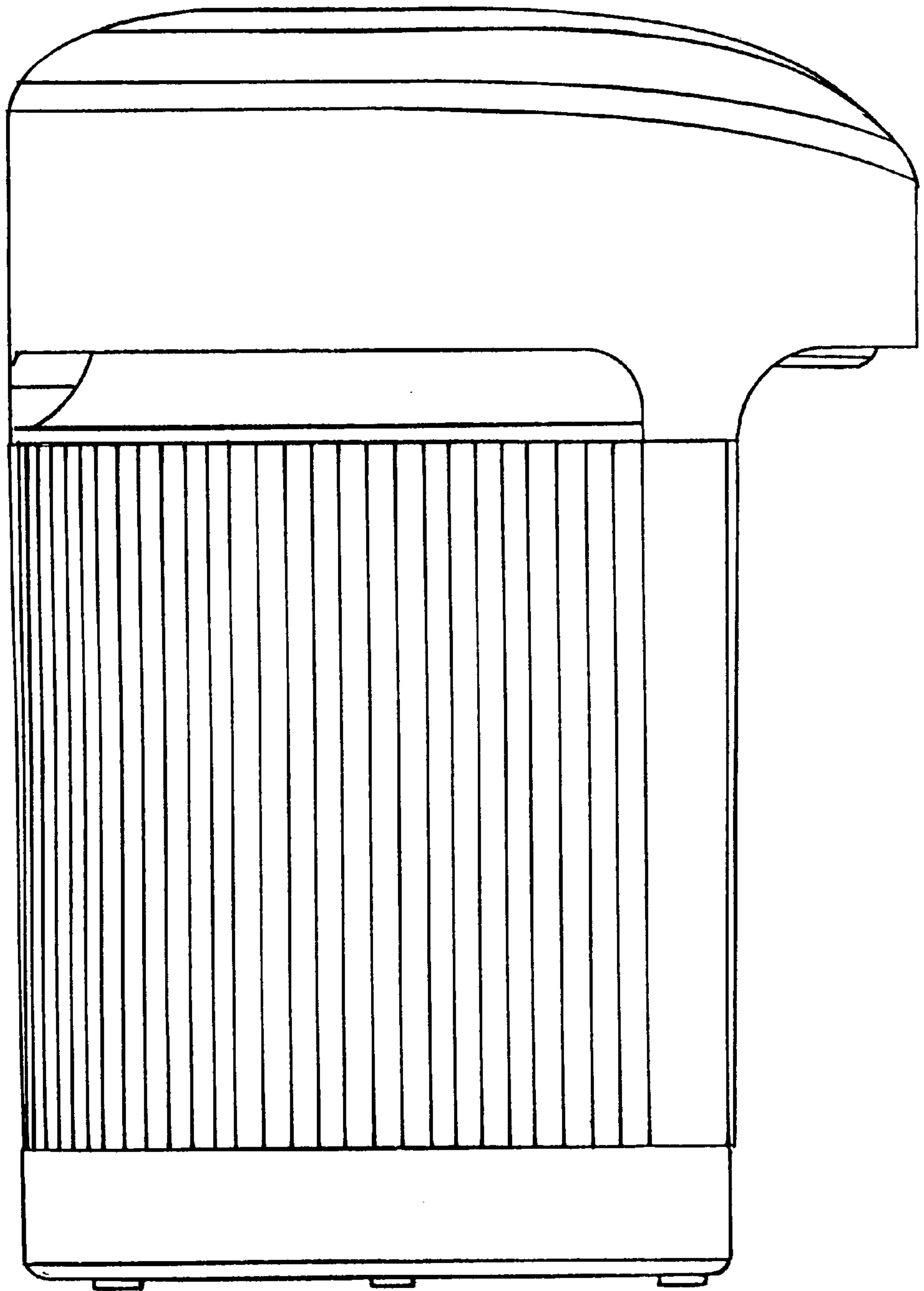


Fig. 5

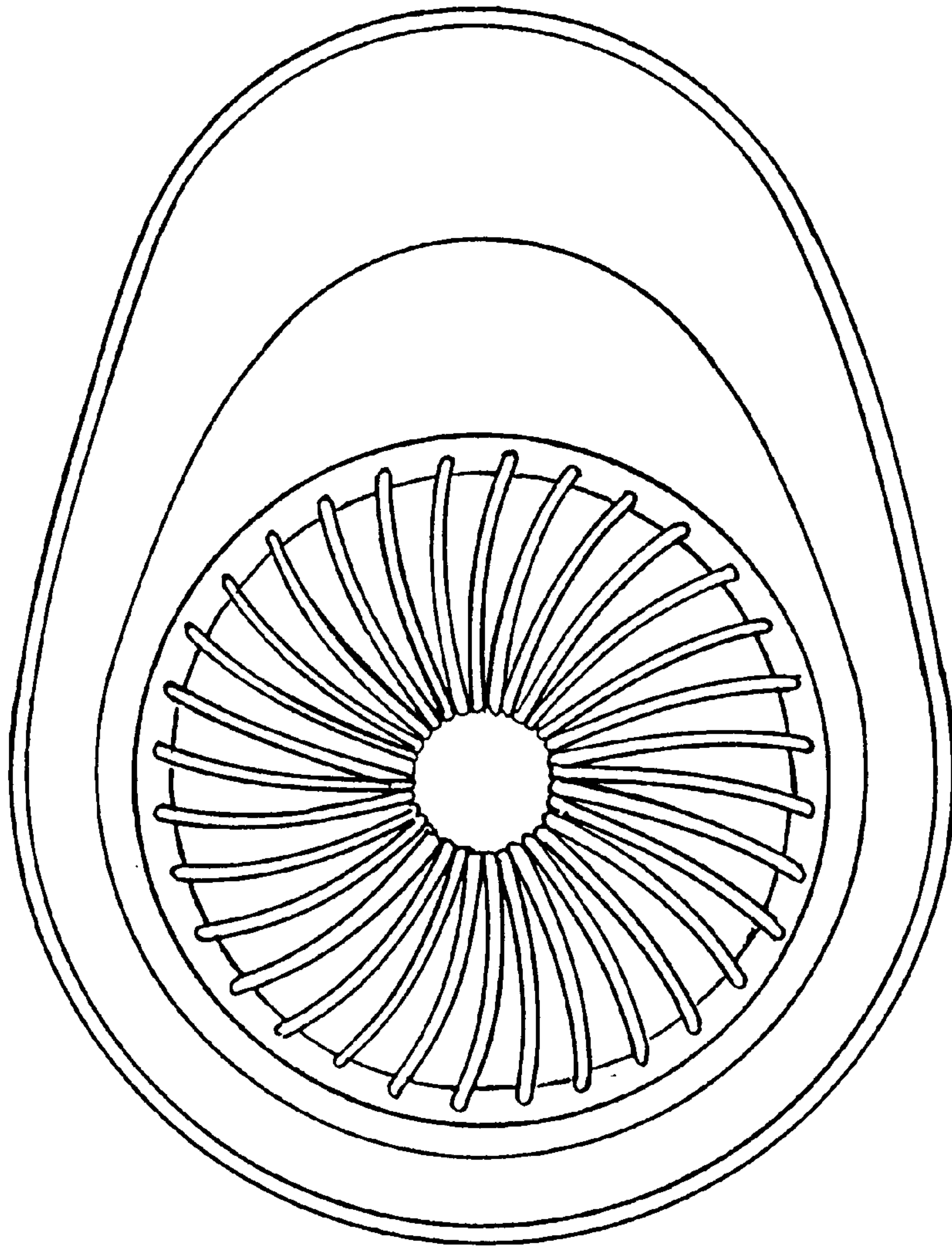


Fig. 6

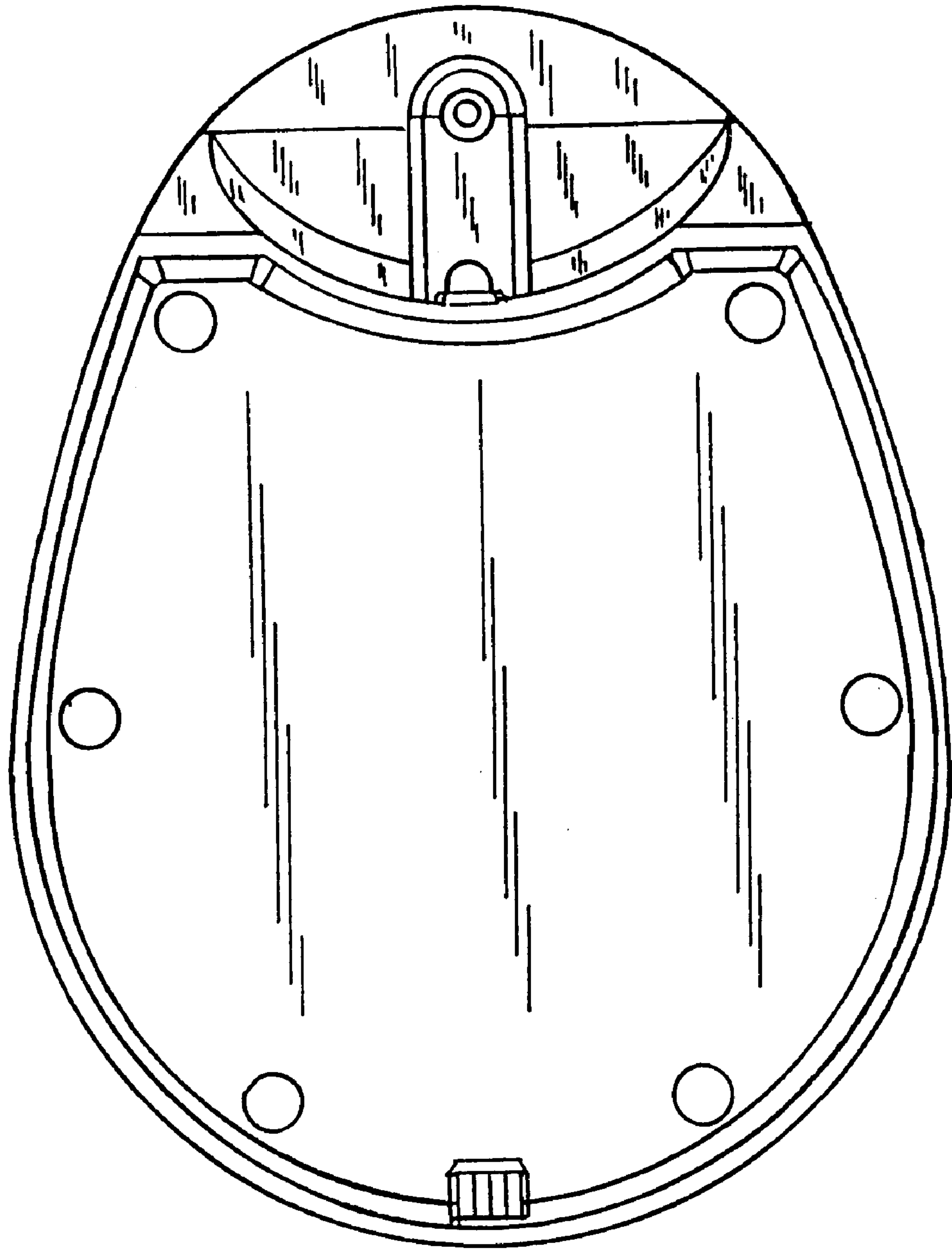


Fig. 7