



US00D415816S

United States Patent [19]
Yamaguchi

[11] **Patent Number: Des. 415,816**

[45] **Date of Patent: ** *Oct. 26, 1999**

[54] **SPOOL FOR A SPINNING FISHING REEL**

[75] Inventor: **Kaname Yamaguchi**, Tokyo, Japan

[73] Assignee: **Daiwa Seiko, Inc.**, Tokyo, Japan

[*] Notice: This patent is subject to a terminal disclaimer.

[**] Term: **14 Years**

[21] Appl. No.: **29/089,860**

[22] Filed: **Jun. 24, 1998**

[30] **Foreign Application Priority Data**

Dec. 24, 1997 [JP] Japan 9-79511
Dec. 24, 1997 [JP] Japan 9-79512

[51] **LOC (6) Cl.** **22-05**

[52] **U.S. Cl.** **D22/137**

[58] **Field of Search** D22/137, 140,
D22/322, 141, 138; D12/207; 242/613.2,
118.4, 118.7, 311, 322, 118.3, 118.6, 129.5,
129.7, 613.1

[56] **References Cited**

U.S. PATENT DOCUMENTS

D. 369,847 5/1996 Kuntze .
D. 393,689 4/1998 Kaneko et al. D22/137
5,456,418 10/1995 Hitomi 242/322
5,476,230 12/1995 Yamaguchi 242/311

FOREIGN PATENT DOCUMENTS

956754 6/1997 Japan .
983610 7/1997 Japan .

Primary Examiner—Louis S. Zarfes
Assistant Examiner—Inga-Maria Hyttinen
Attorney, Agent, or Firm—Sughrue, Mion, Zinn, Macpeak & Seas, PLLC

[57] **CLAIM**

The ornamental design for a spool for a spinning fishing reel, as shown and described.

DESCRIPTION

FIG. 1 is a perspective view of the rear and a portion of the circumferential surface of a spool for a spinning fishing reel according to a first embodiment showing my new design, it being understood that the surface is uniform throughout the circumference of the spool;
FIG. 2 is a perspective view of the front and a portion of the circumferential surface thereof;
FIG. 3 is a side elevational view thereof;
FIG. 4 is a rear elevational view thereof;
FIG. 5 is a front elevational view thereof;
FIG. 6 is a sectional view taken along the line 6—6 in FIG. 4 thereof;
FIG. 7 is a perspective view of the rear and a portion of the circumferential surface of a spool for a spinning fishing reel according to a second embodiment thereof;
FIG. 8 is a perspective view of the front and a portion of the circumferential surface thereof;
FIG. 9 is a side elevational view thereof;
FIG. 10 is a rear elevational view thereof;
FIG. 11 is a front elevational view thereof; and,
FIG. 12 is a sectional view taken along the line 12—12 in FIG. 10 thereof.

1 Claim, 4 Drawing Sheets

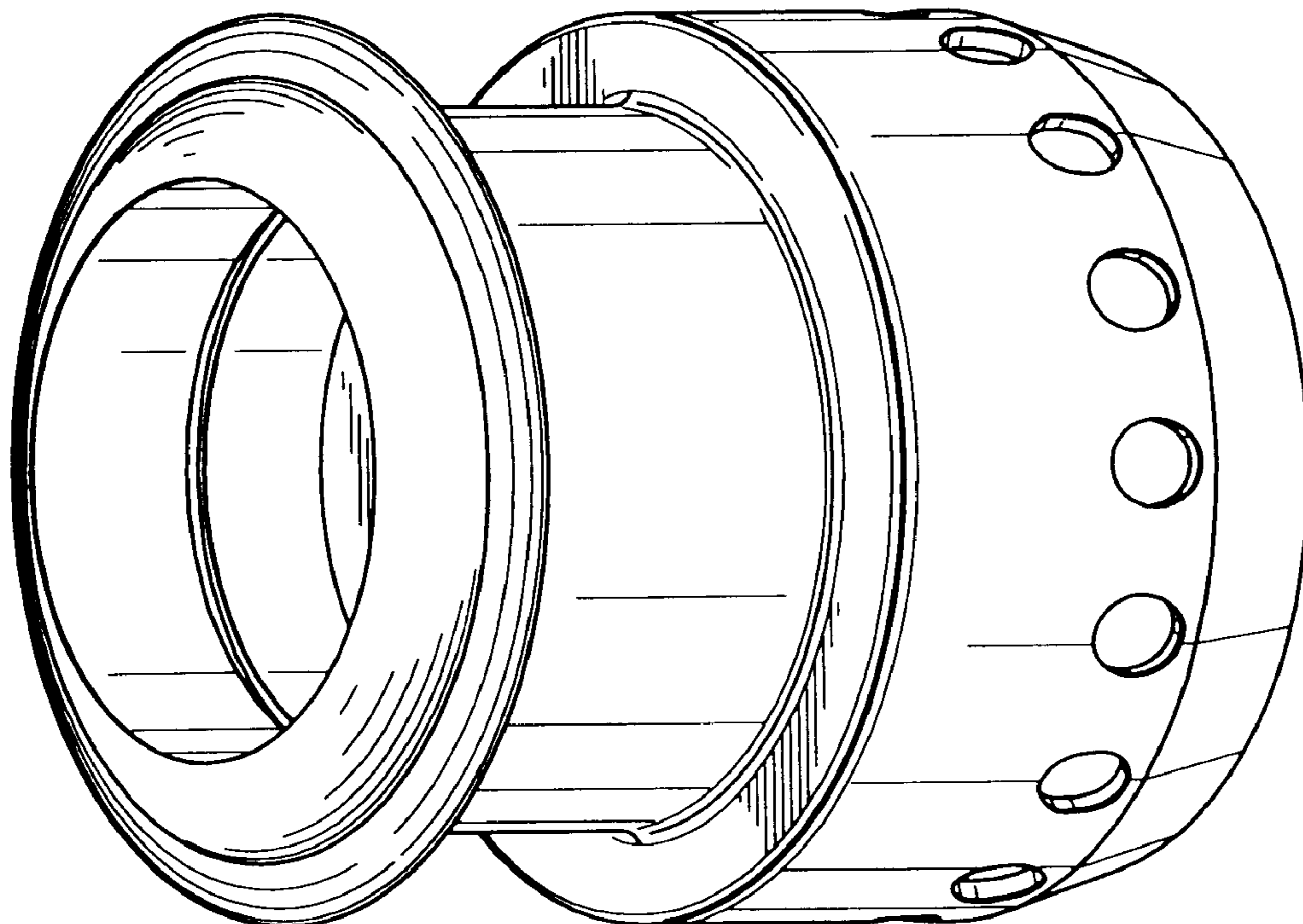


FIG. 1

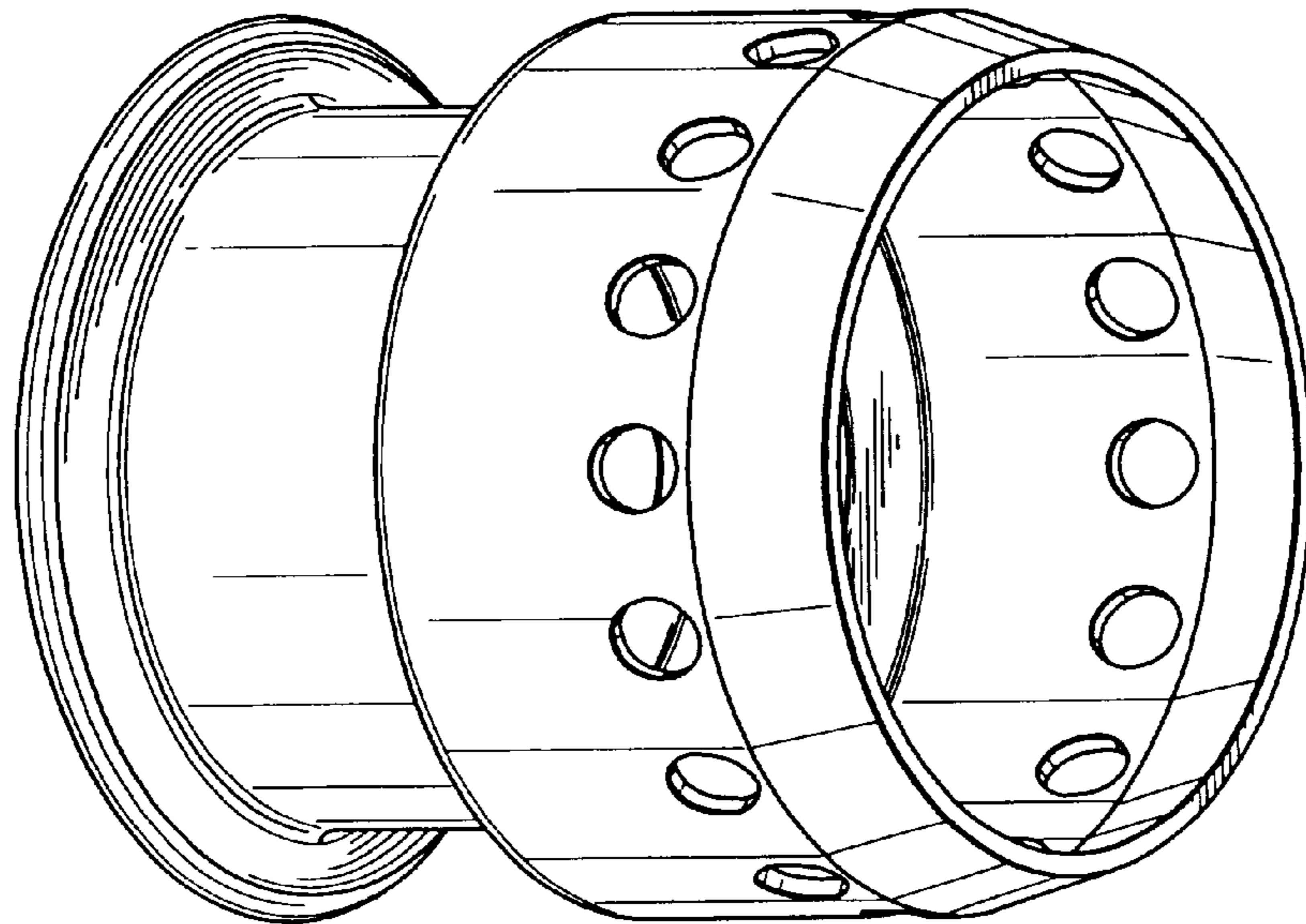


FIG. 2

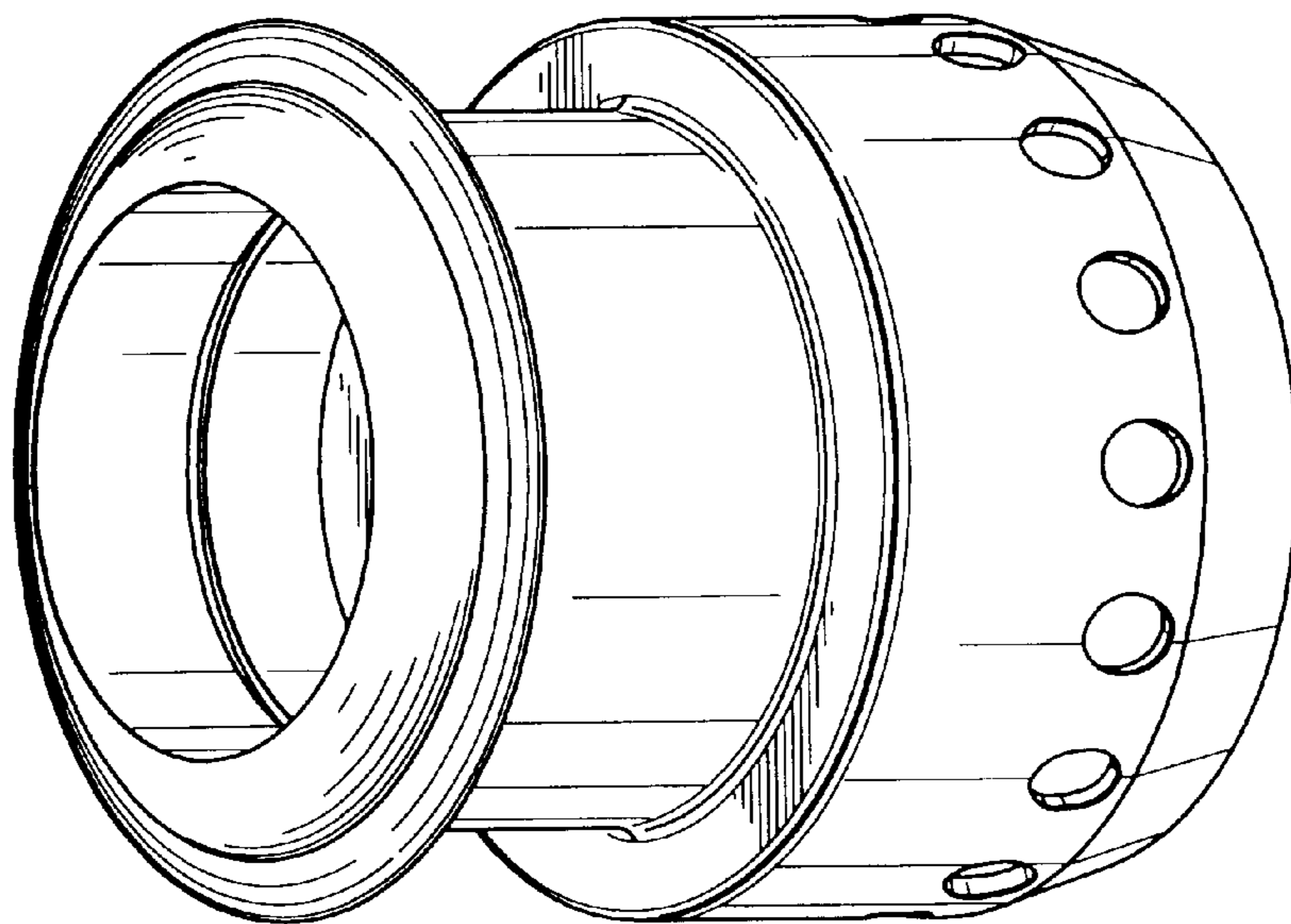


FIG. 3

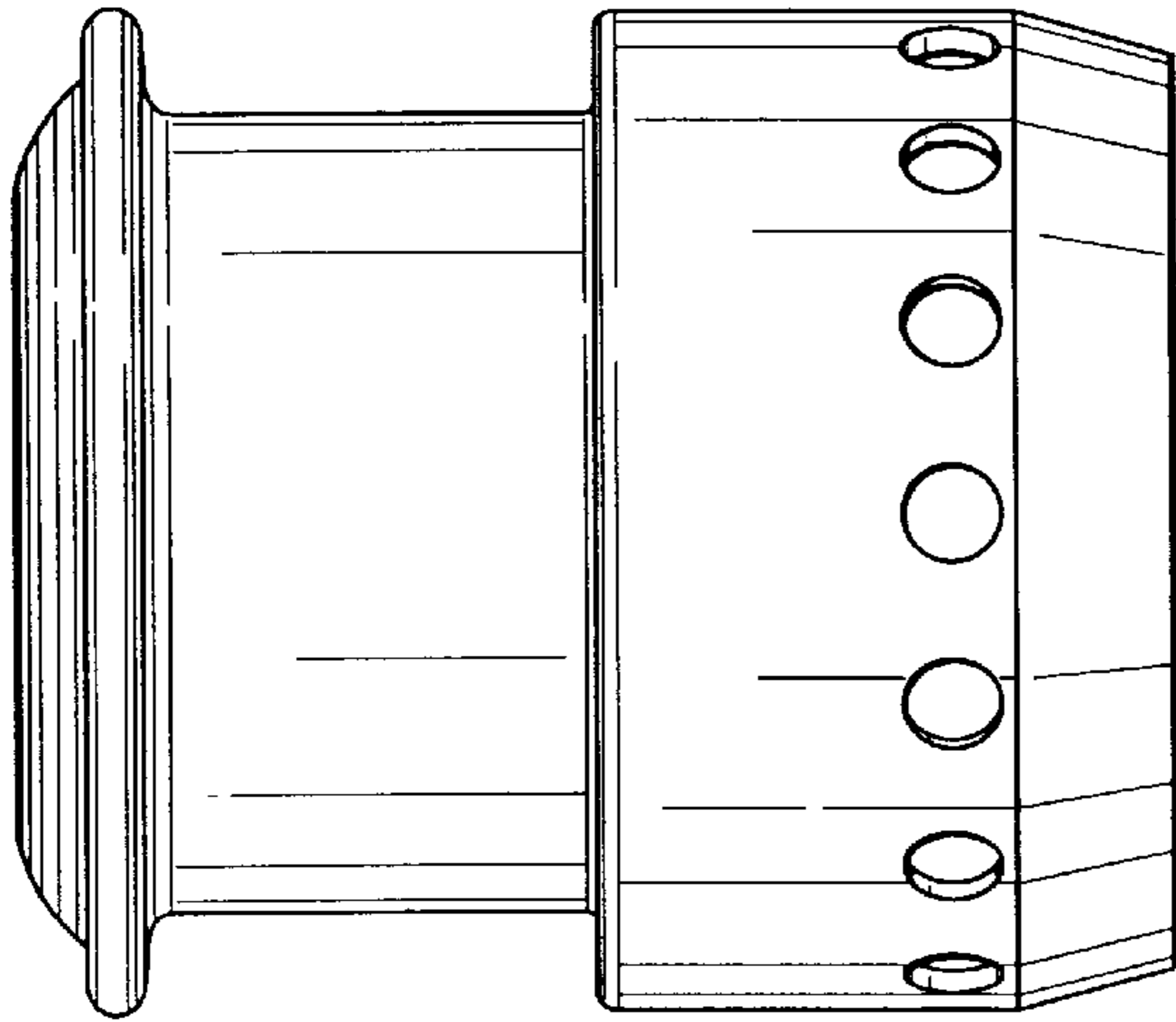


FIG. 4

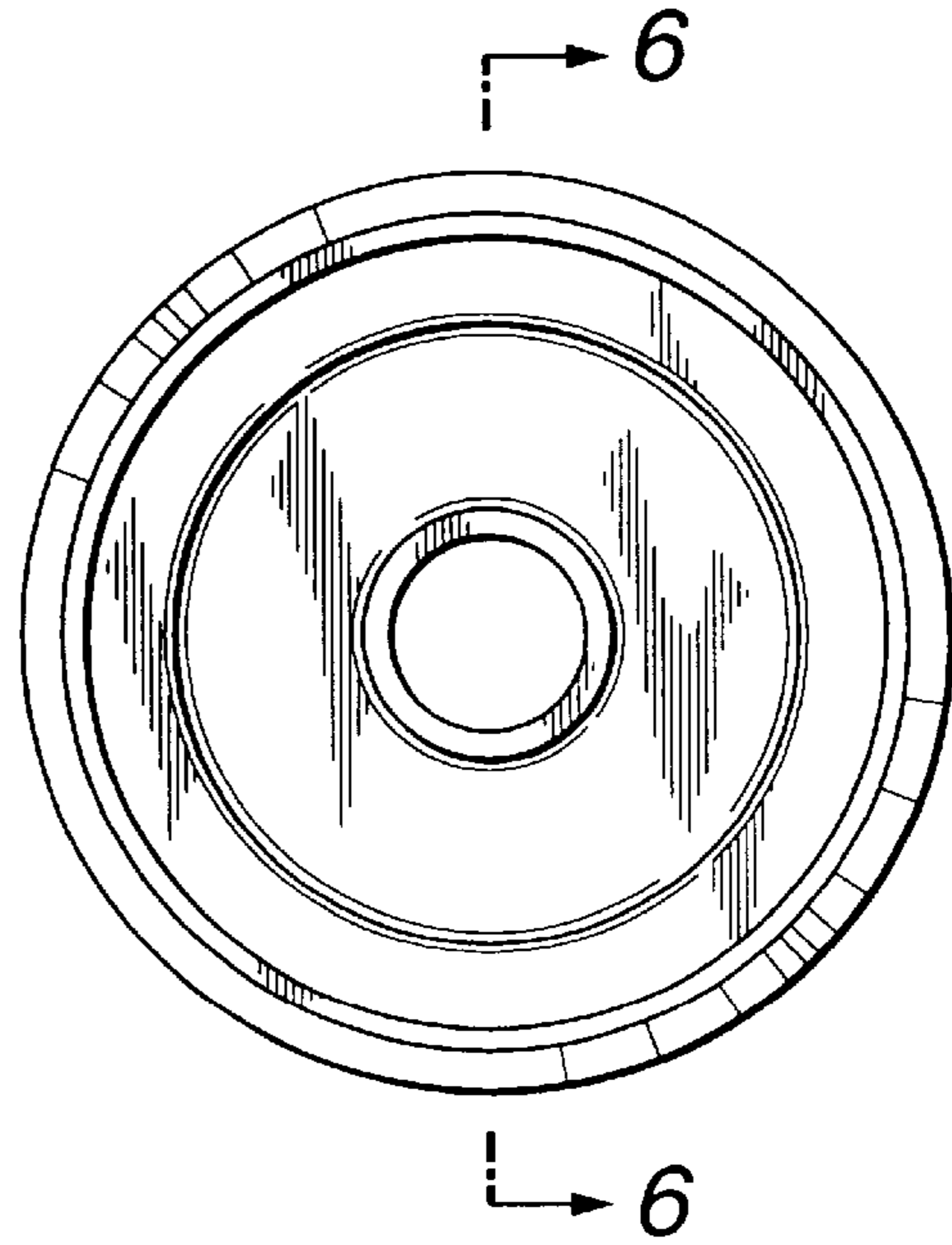


FIG. 5

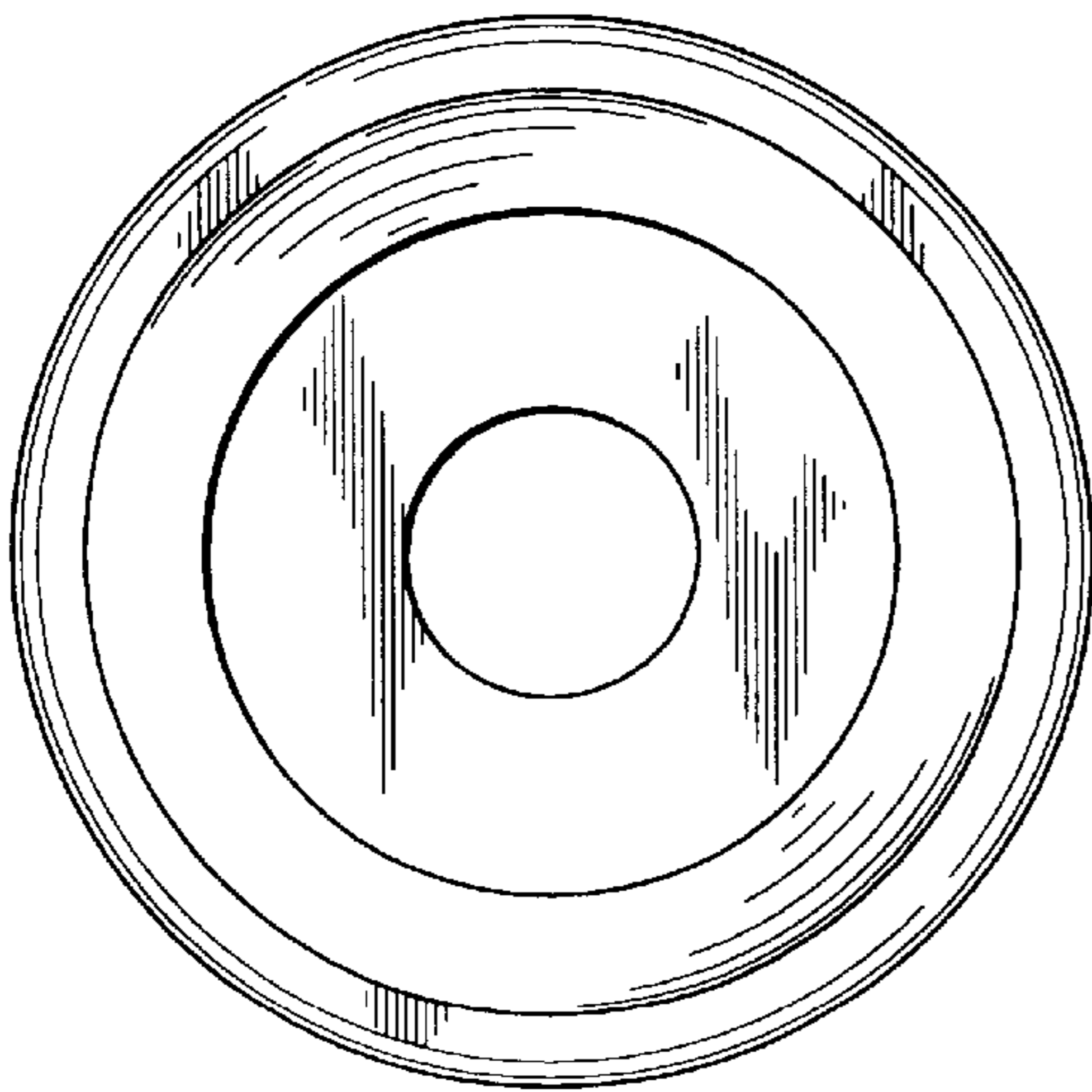


FIG. 6

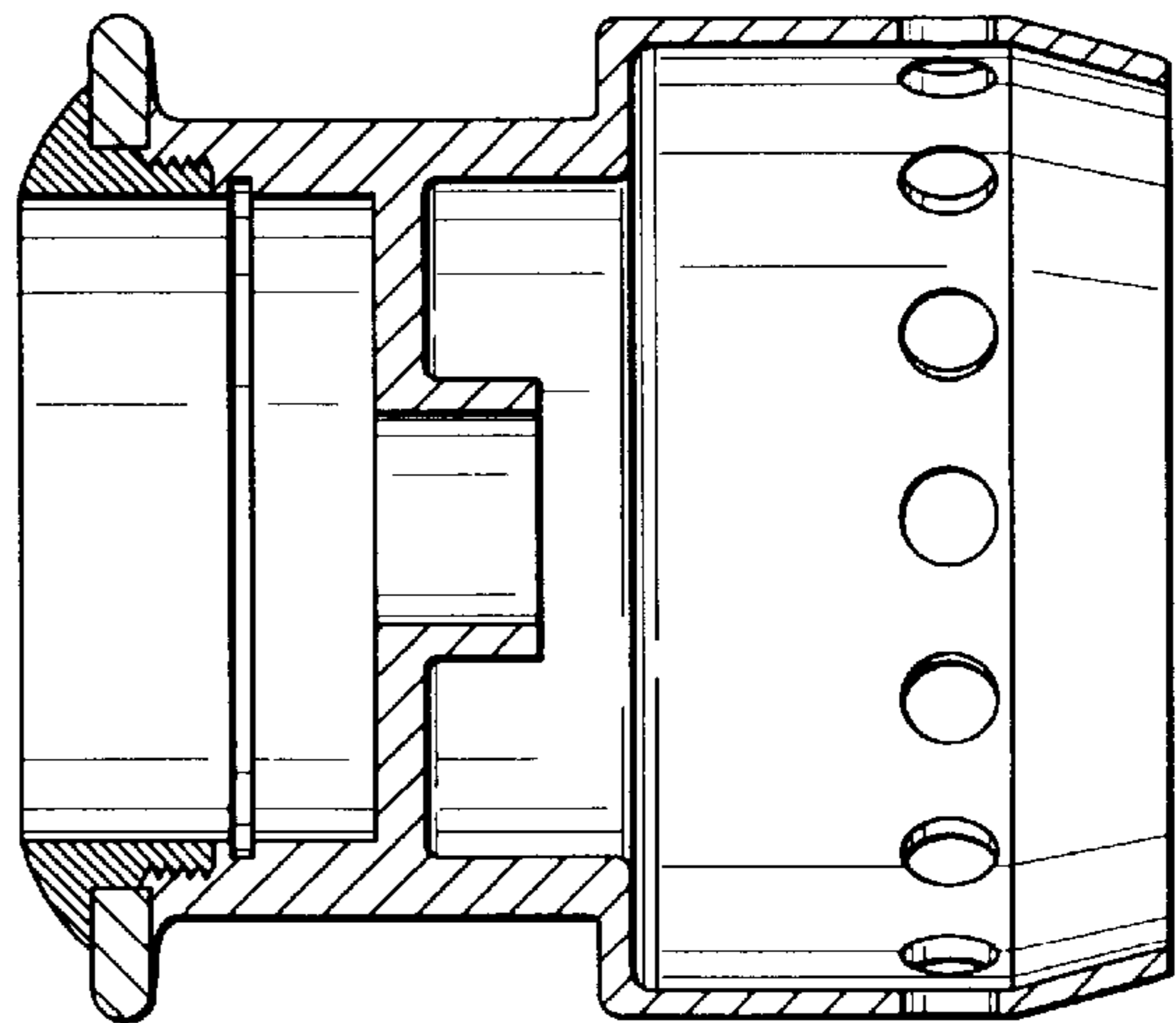


FIG. 7

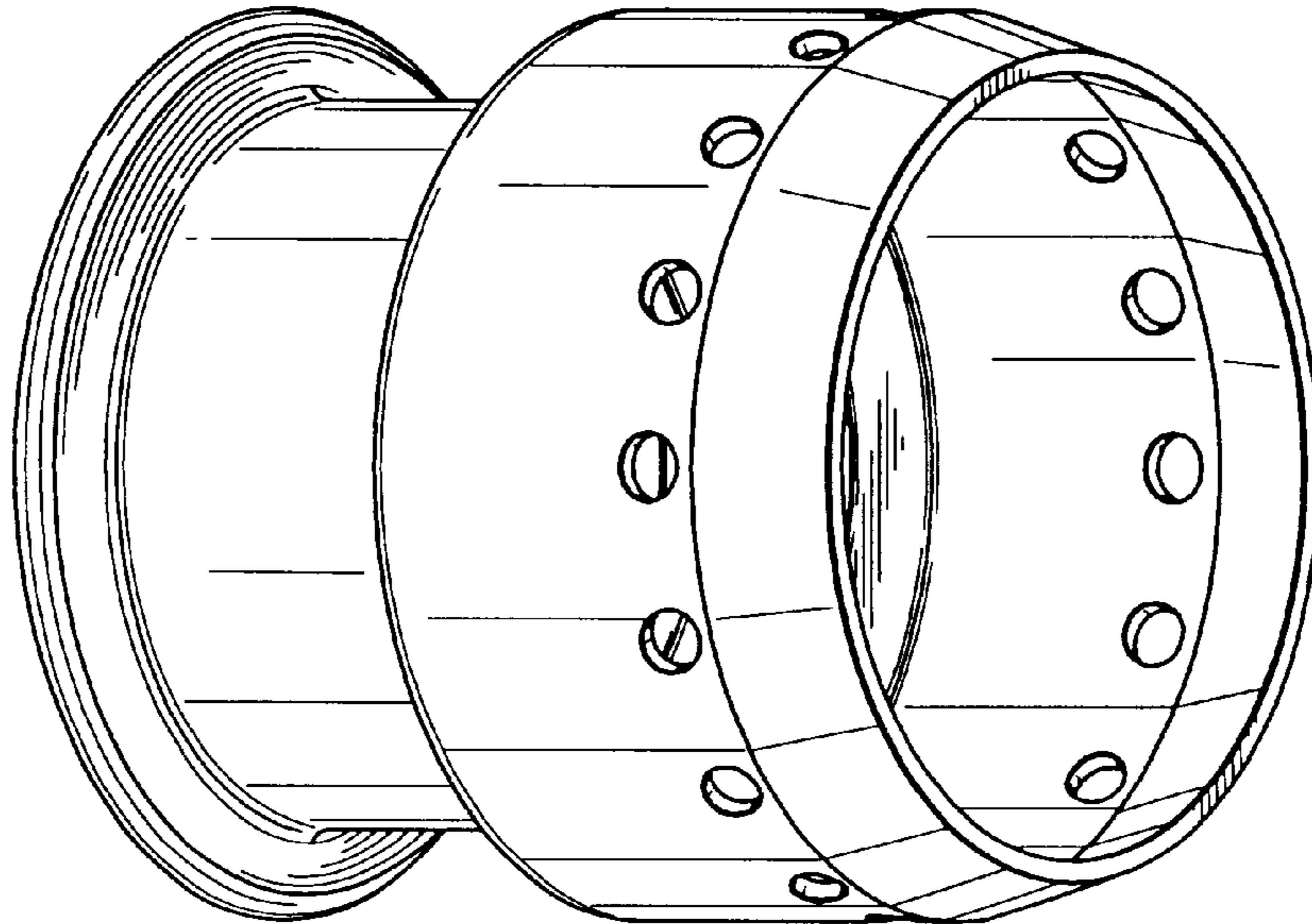


FIG. 8

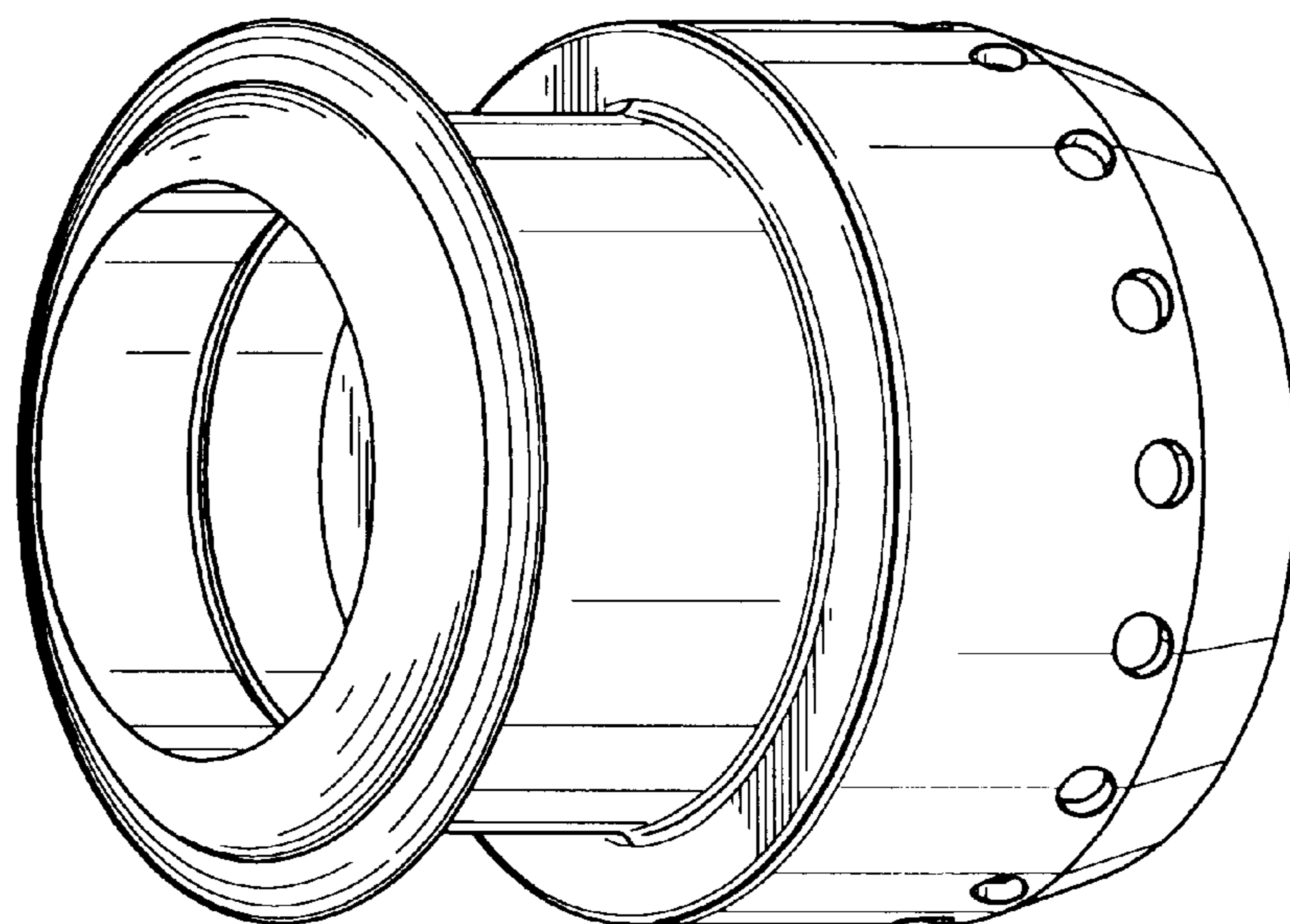


FIG. 9

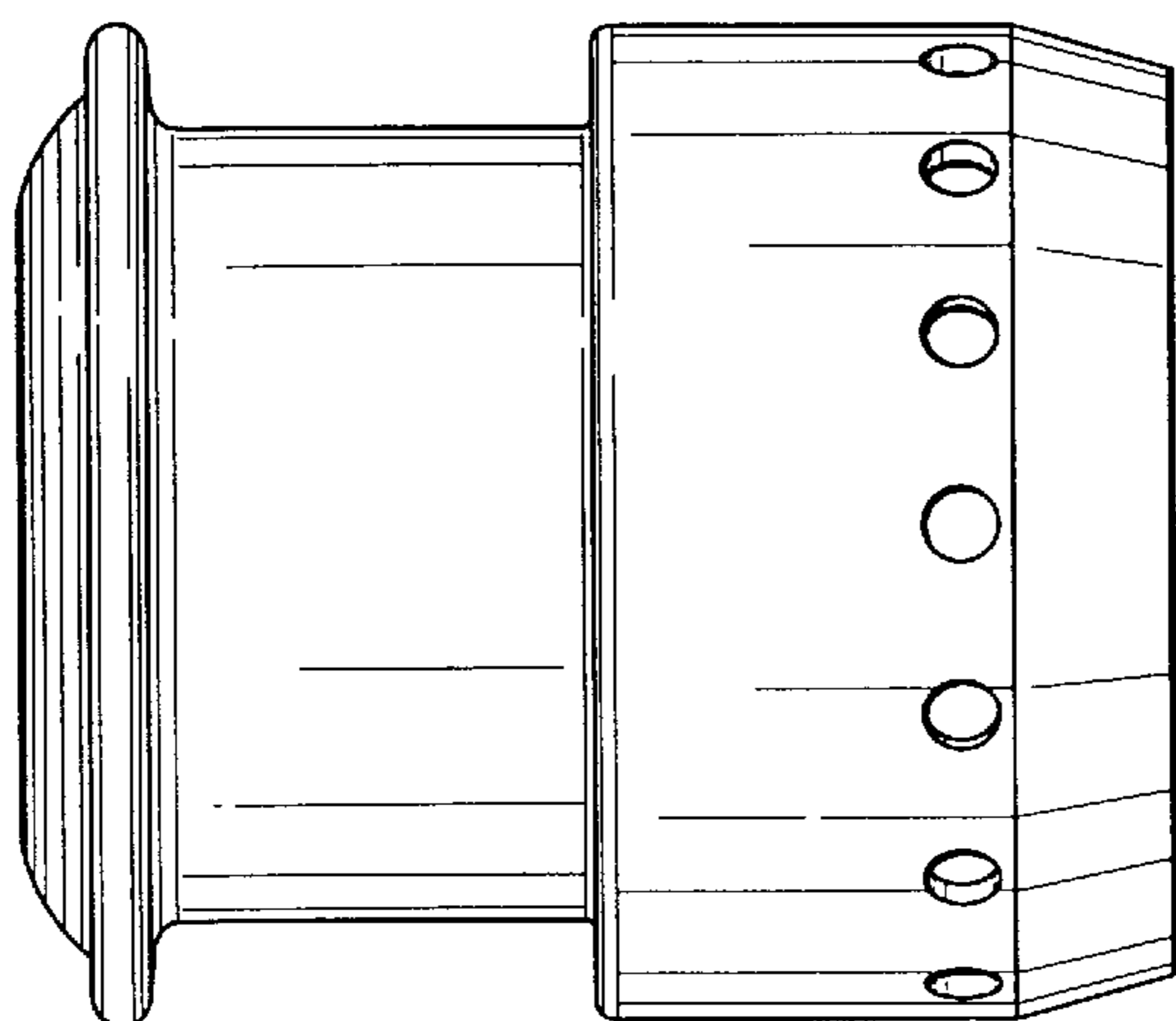


FIG. 10

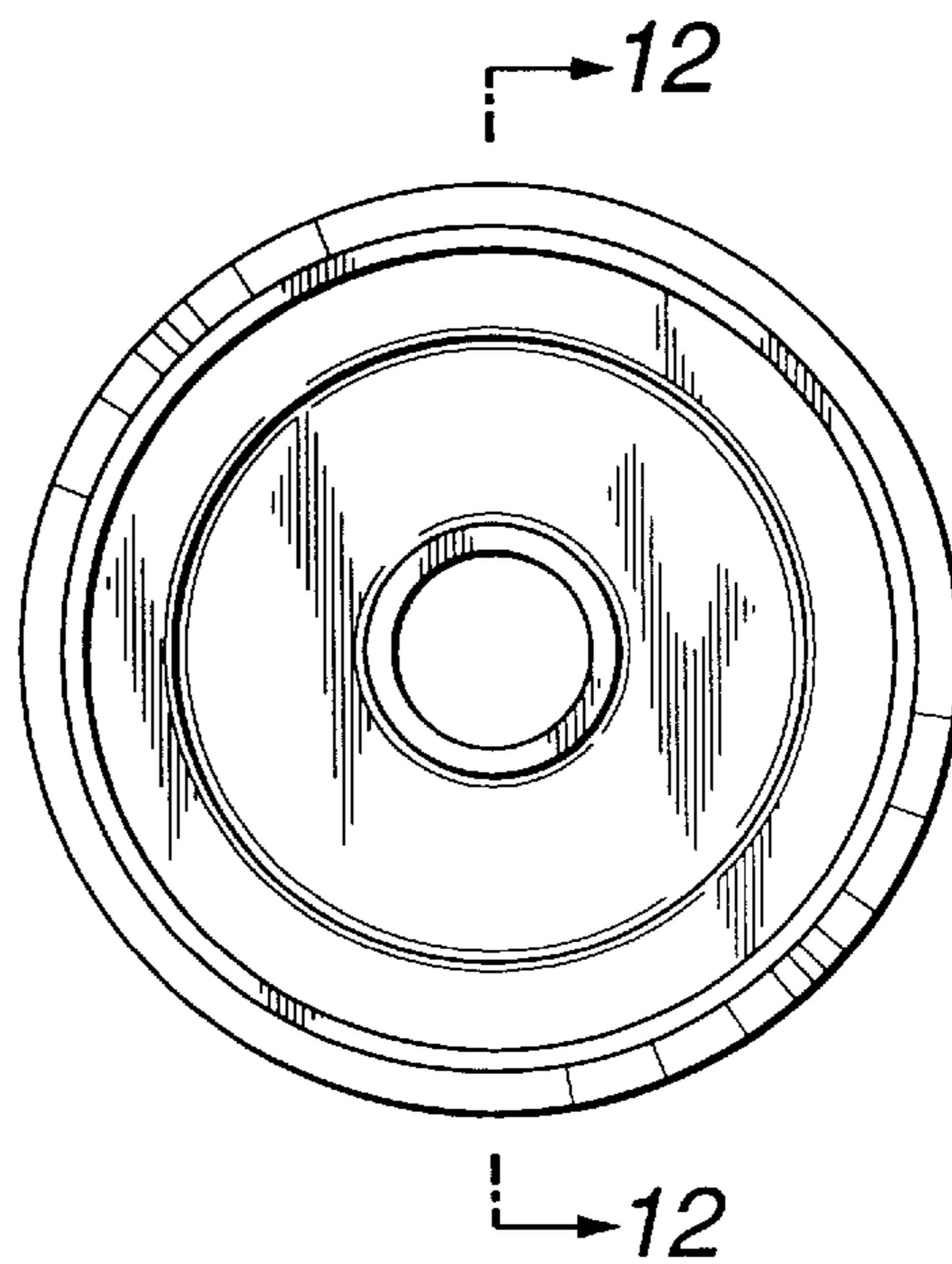


FIG. 11

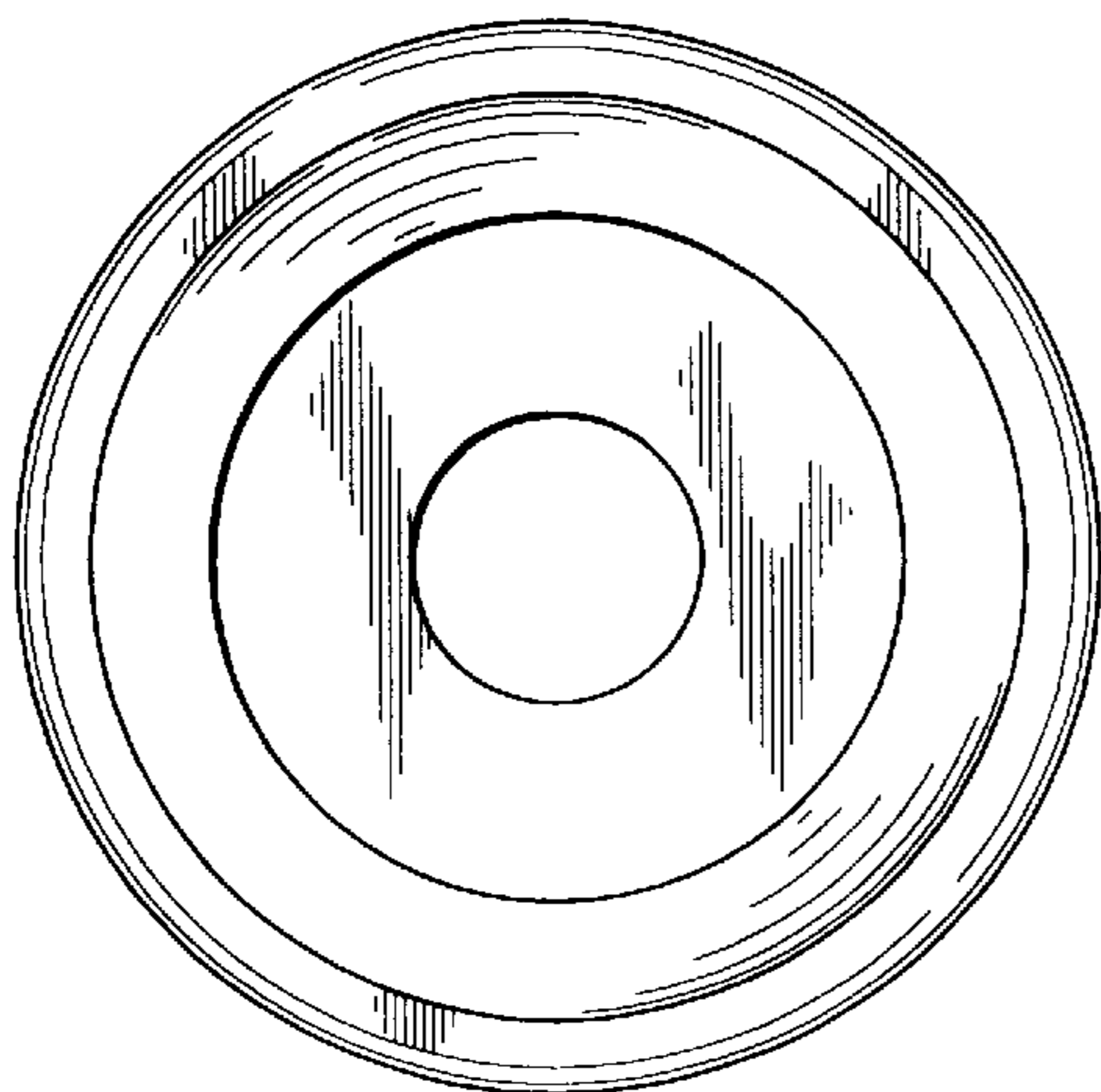


FIG. 12

