



US00D415815S

United States Patent [19]

Kaneko et al.

[11] Patent Number: **Des. 415,815**

[45] Date of Patent: **** *Oct. 26, 1999**

[54] **SPOOL FOR A SPINNING FISHING REEL**

5,333,813	8/1994	Hirano	242/322
5,456,418	10/1995	Hitomi	242/322
5,476,230	12/1995	Yamaguchi	242/311

[75] Inventors: **Kyoichi Kaneko; Eiji Shinohara; Akira Yamaguchi; Wataru Tsutsumi**, all of Higashikurume, Japan

OTHER PUBLICATIONS

Cabela, Spring 1995, p. 1, Spinning Reel, Feb. 7, 1995.

[73] Assignee: **Daiwa Seiko, Inc.**, Higashikurume, Japan

Primary Examiner—Louis S. Zarfaz
Assistant Examiner—Inga-Maria Hyttinen
Attorney, Agent, or Firm—Pillsbury Madison & Sutro LLP

[*] Notice: This patent is subject to a terminal disclaimer.

[57] CLAIM

[**] Term: **14 Years**

The ornamental design for a spool for a spinning fishing reel, as shown and described.

[21] Appl. No.: **29/088,286**

DESCRIPTION

[22] Filed: **May 20, 1998**

Related U.S. Application Data

[62] Division of application No. 29/063,415, Dec. 6, 1996.

[30] Foreign Application Priority Data

Jun. 6, 1996	[JP]	Japan	8-16672
Jun. 13, 1996	[JP]	Japan	8-17509
Jun. 14, 1996	[JP]	Japan	8-17697

FIG. 1 is a front and left side perspective view of a spool for a spinning fishing reel, showing a first embodiment of our new design;

FIG. 2 is a front and right side perspective view thereof;

FIG. 3, is a front elevational view thereof;

FIG. 4 is a right side elevational view thereof;

FIG. 5 is a left side elevational view thereof;

FIG. 6 is a cross sectional view taken on line 6—6 of FIG. 4;

FIG. 7 is a front and left side perspective view of a spool for a spinning fishing reel showing a second embodiment of our new design;

FIG. 8 is a front and right side perspective view thereof;

FIG. 9 is a front elevational view thereof;

FIG. 10 is a right side elevational view thereof;

FIG. 11 is a left side elevational view thereof; and,

FIG. 12 is a cross sectional view taken on line 12—12 of FIG. 10.

[51] **LOC (6) Cl.** **22-05**

[52] **U.S. Cl.** **D22/137**

[58] **Field of Search** D22/137, 140, D22/141, 138, 134; 242/118.3, 118.4, 118.6, 118.7, 129.5, 129.7, 311, 322, 613.1, 613.2; D21/445, 455, 460, 461, 463

[56] References Cited

U.S. PATENT DOCUMENTS

D. 369,847 5/1996 Kuntze D22/137

1 Claim, 4 Drawing Sheets

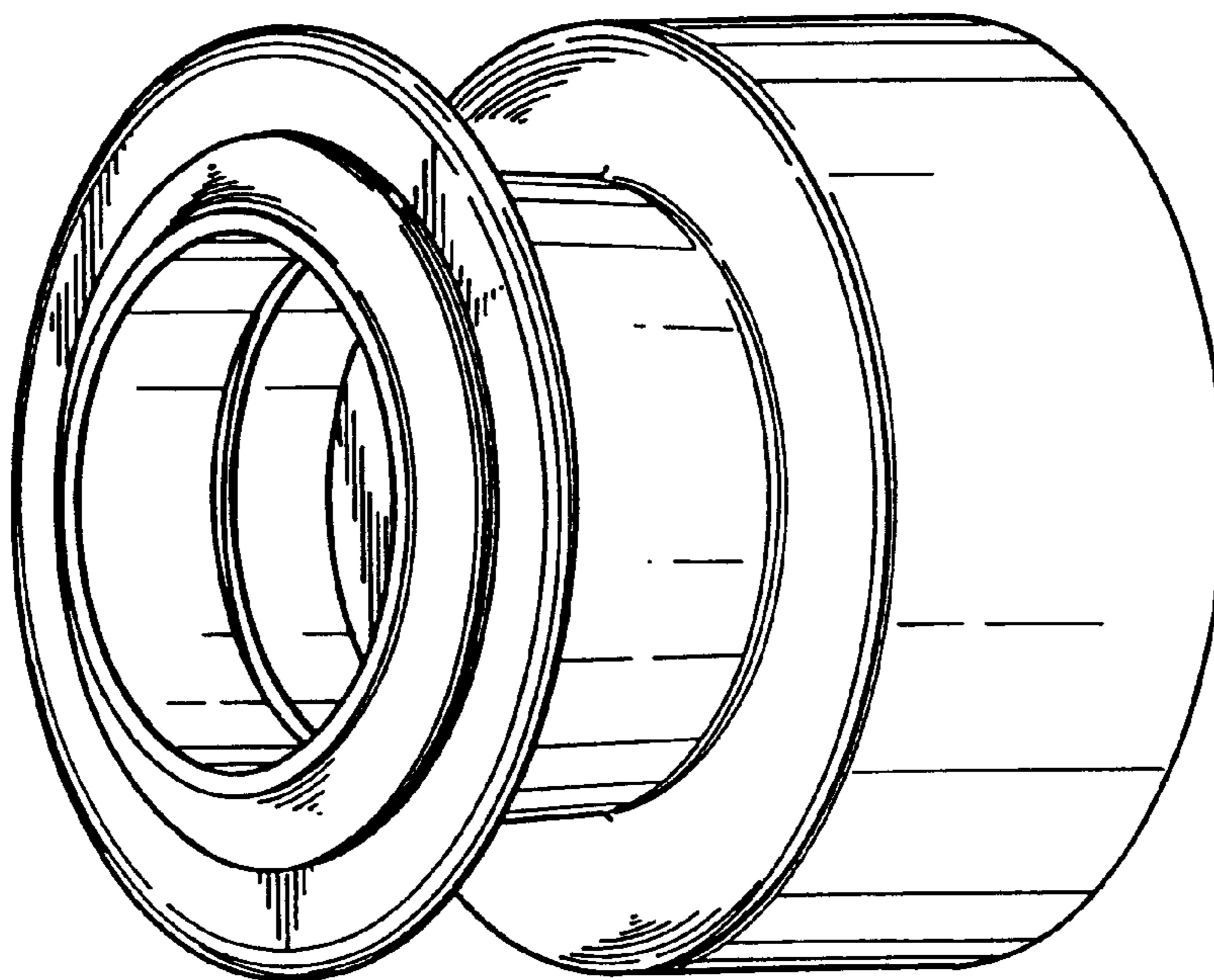


FIG. 1

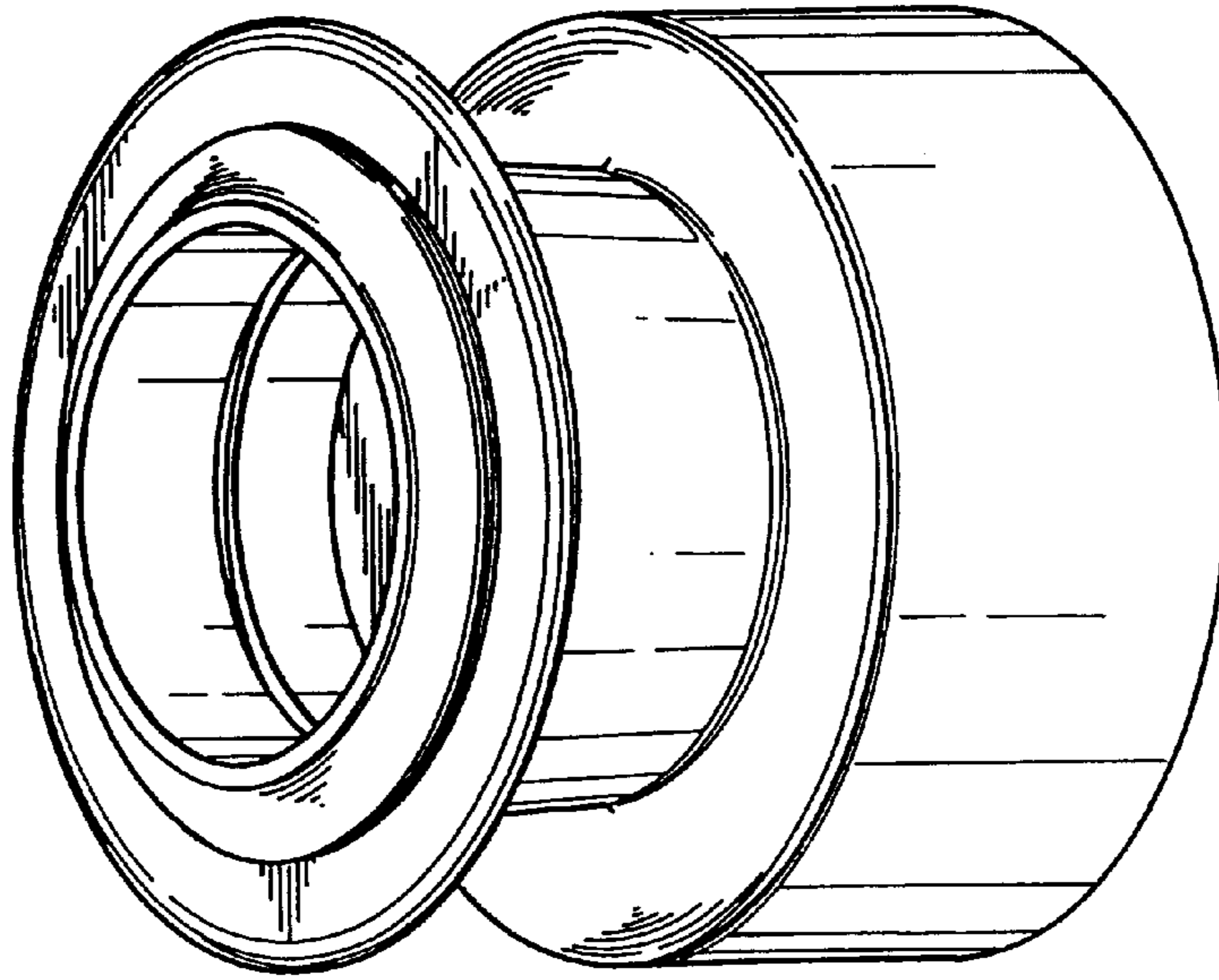


FIG. 2

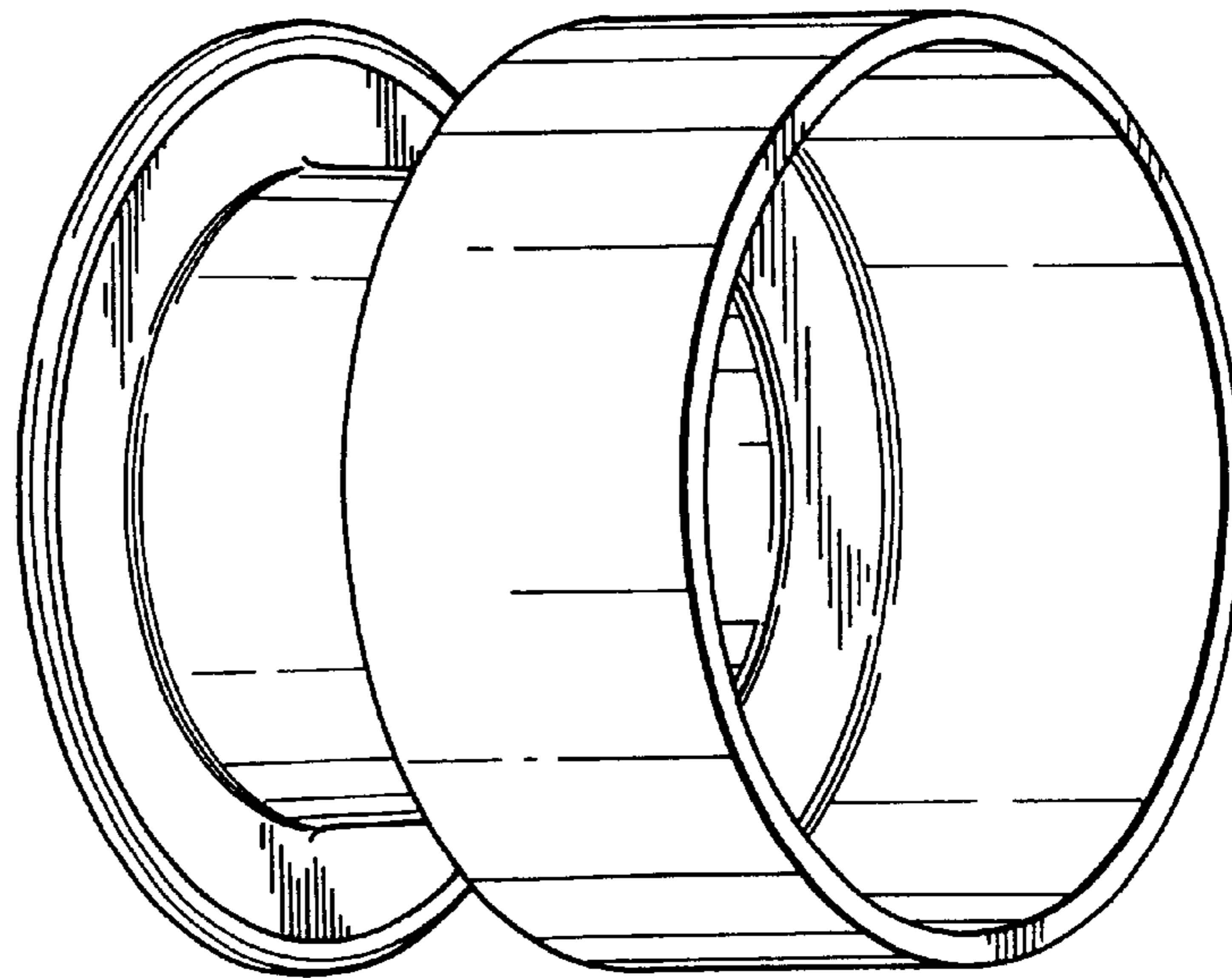


FIG. 3

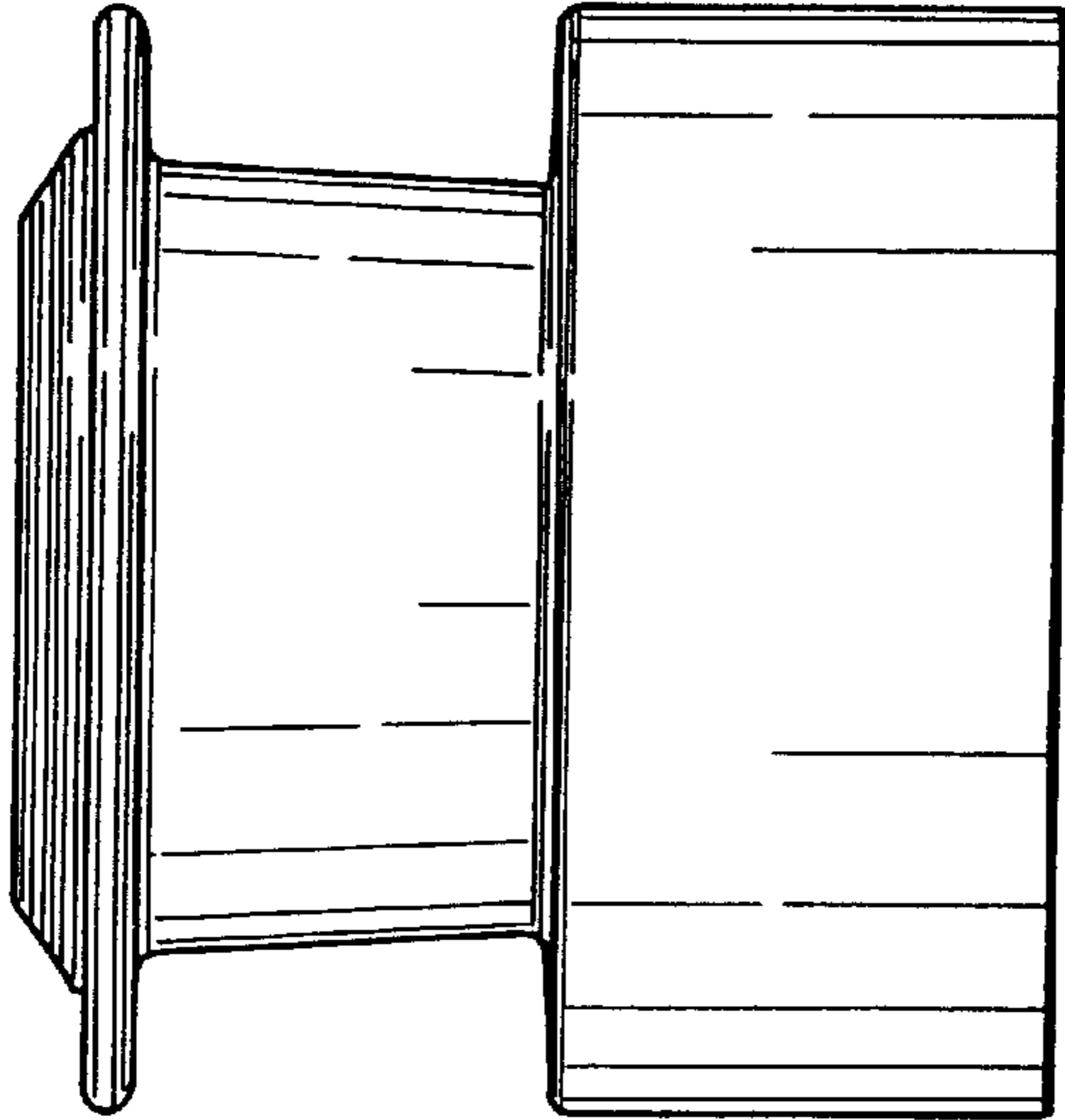


FIG. 4

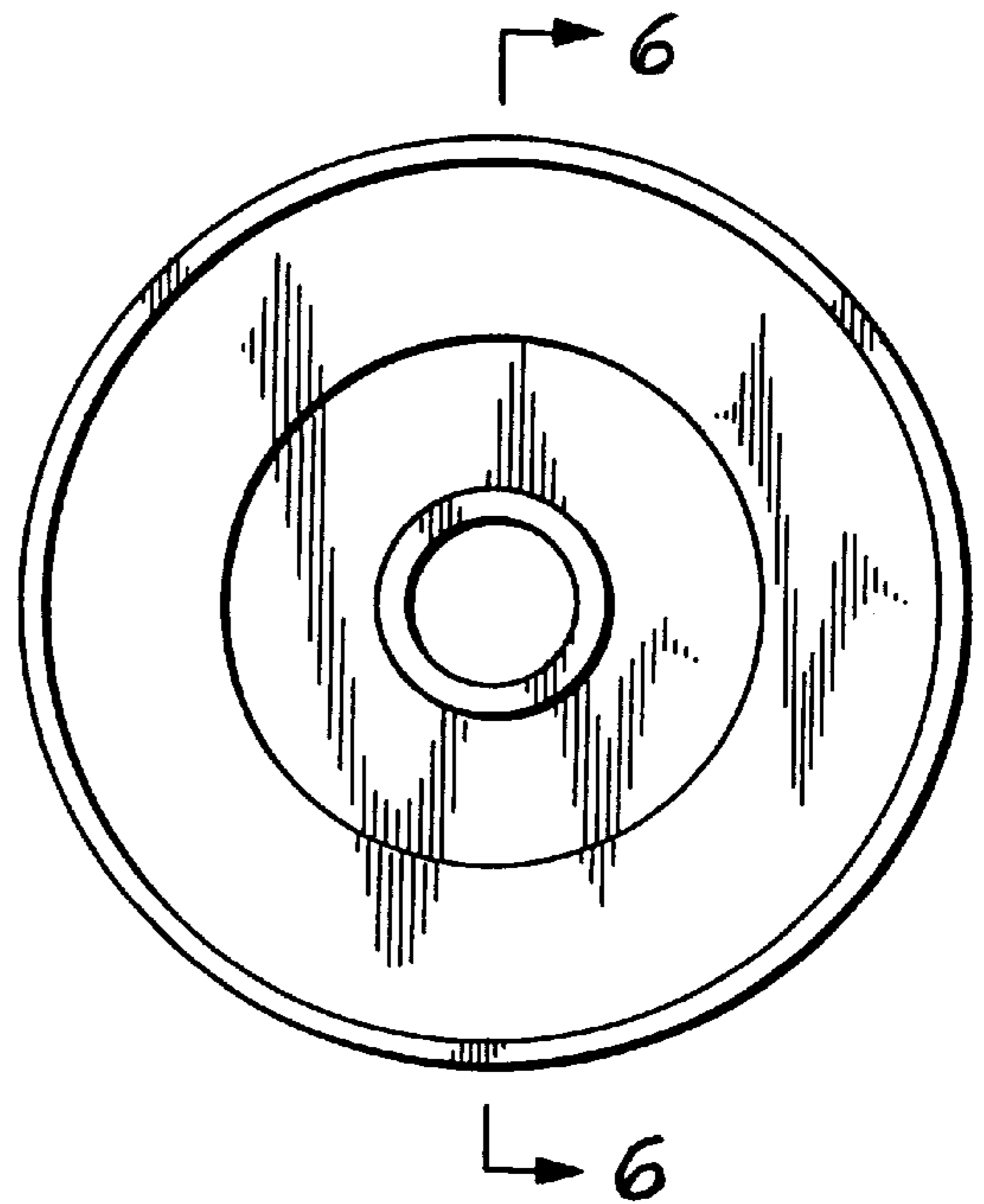


FIG. 5

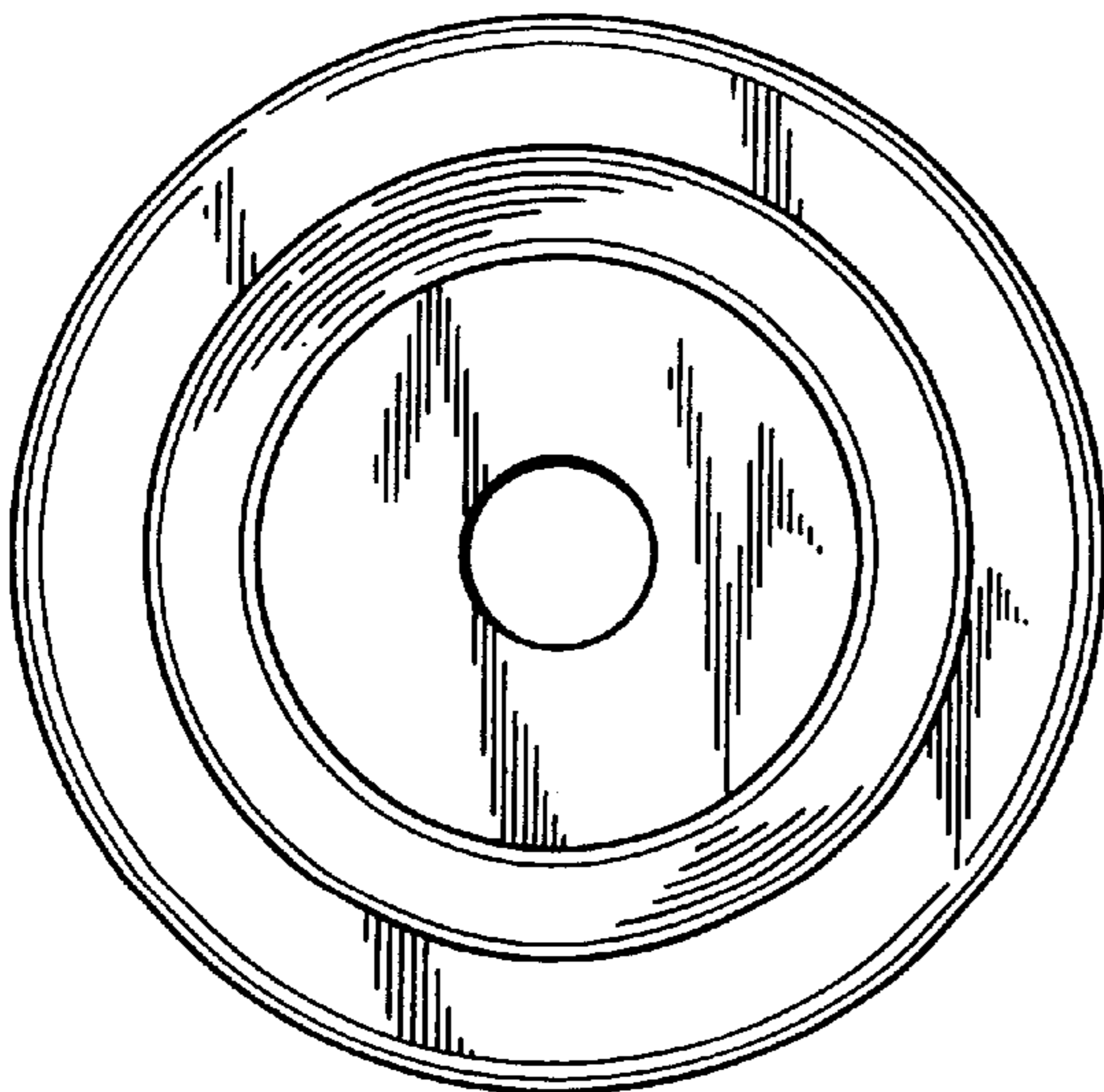


FIG. 6

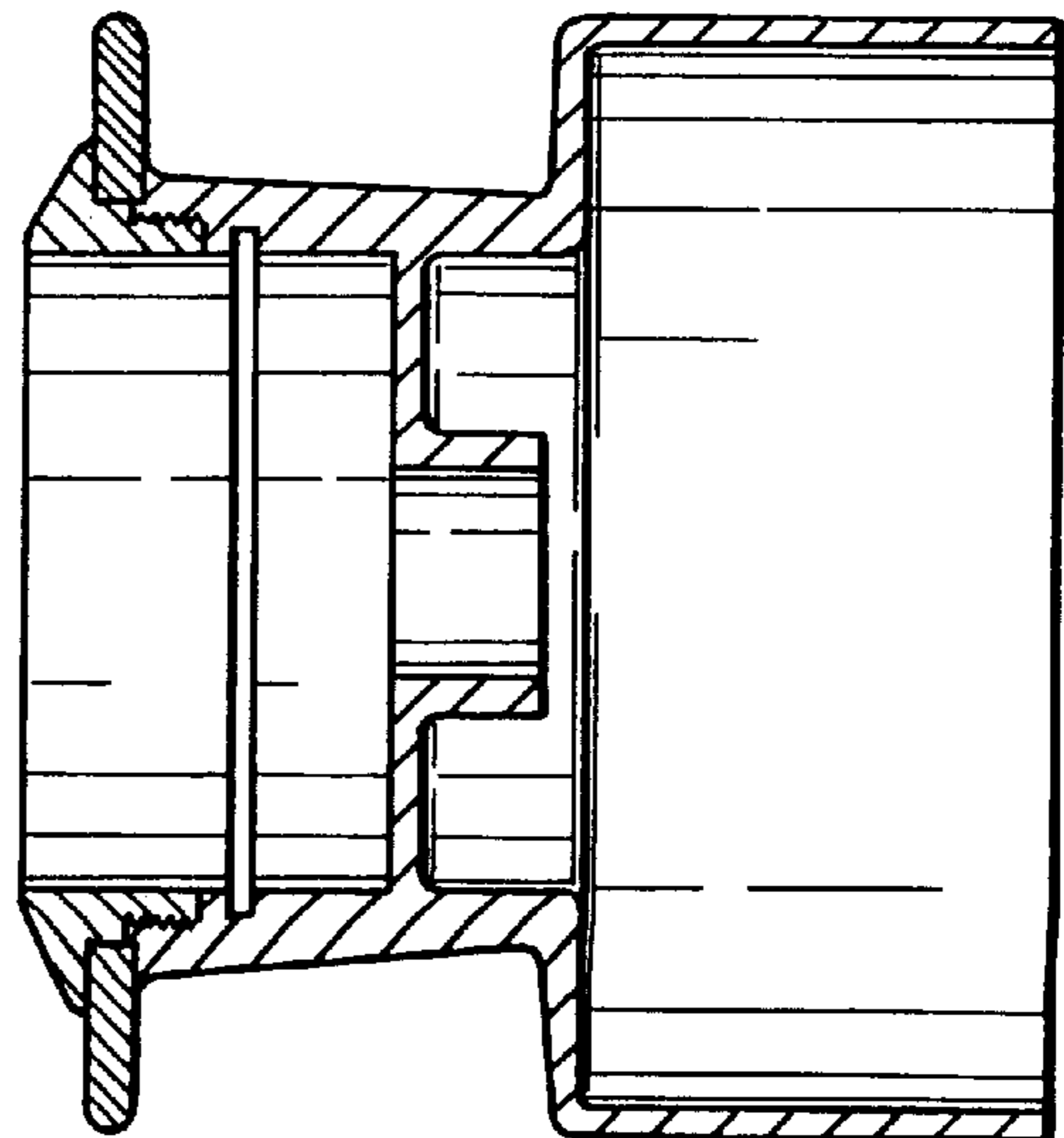


FIG. 7

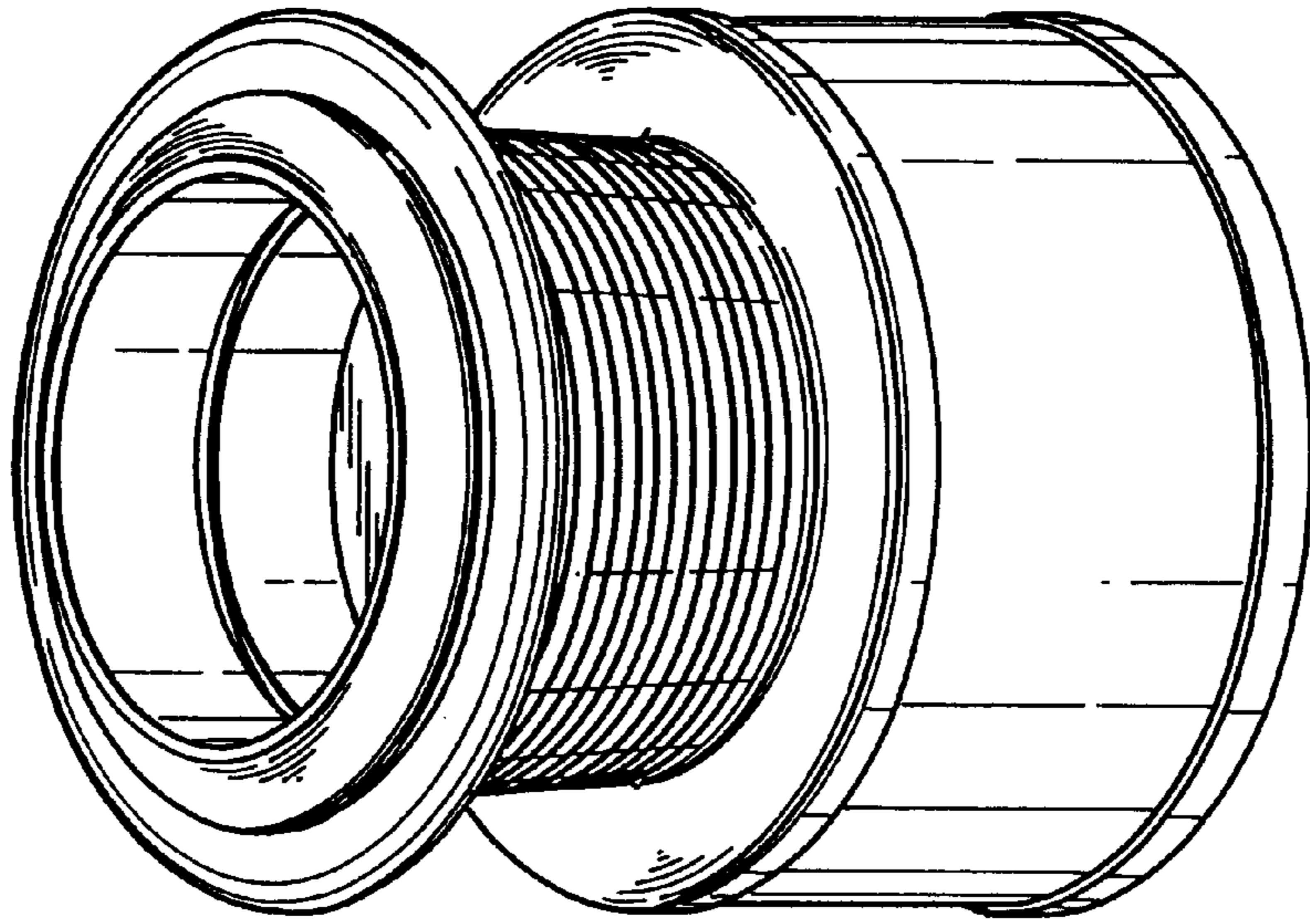


FIG. 8

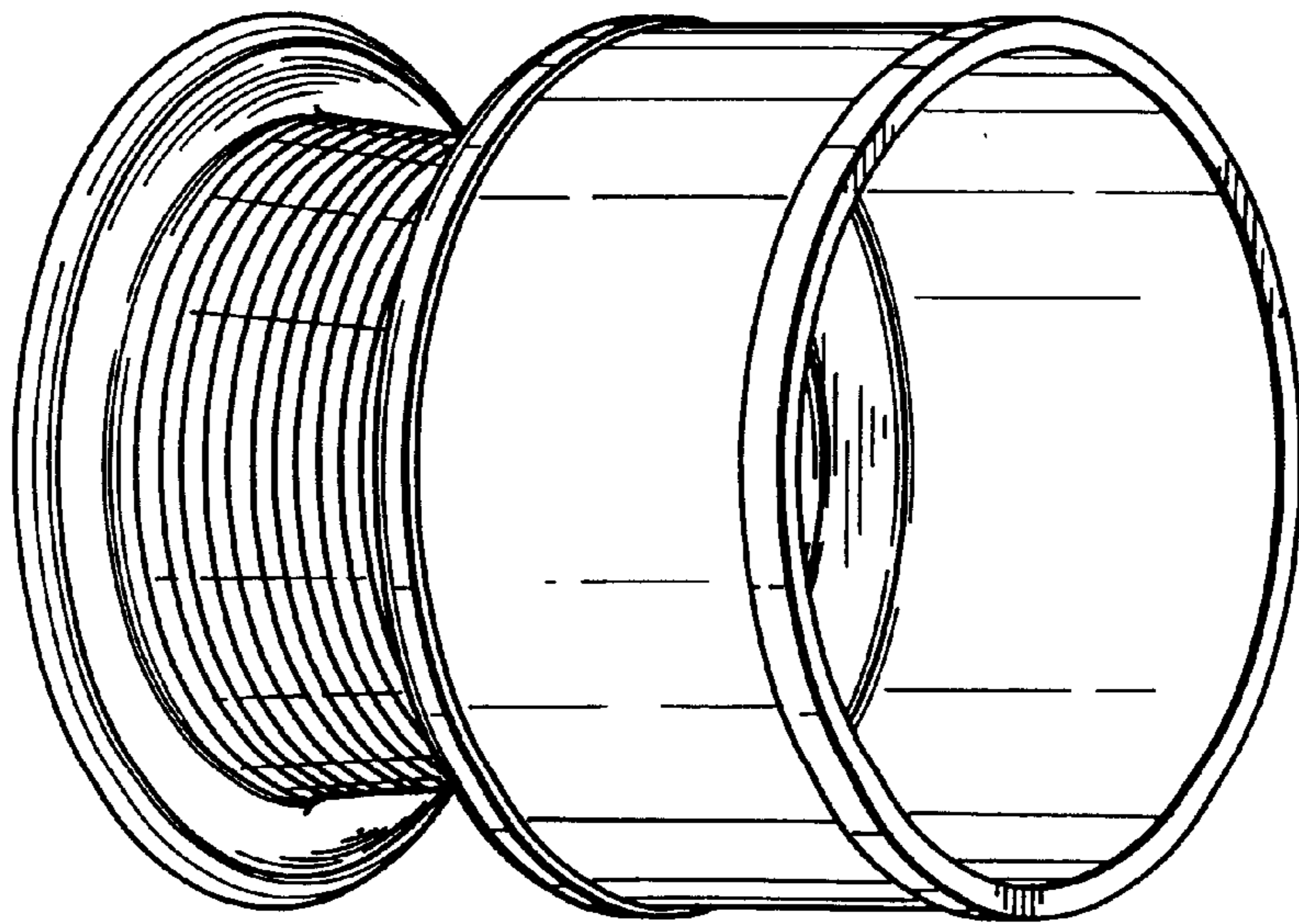


FIG. 9

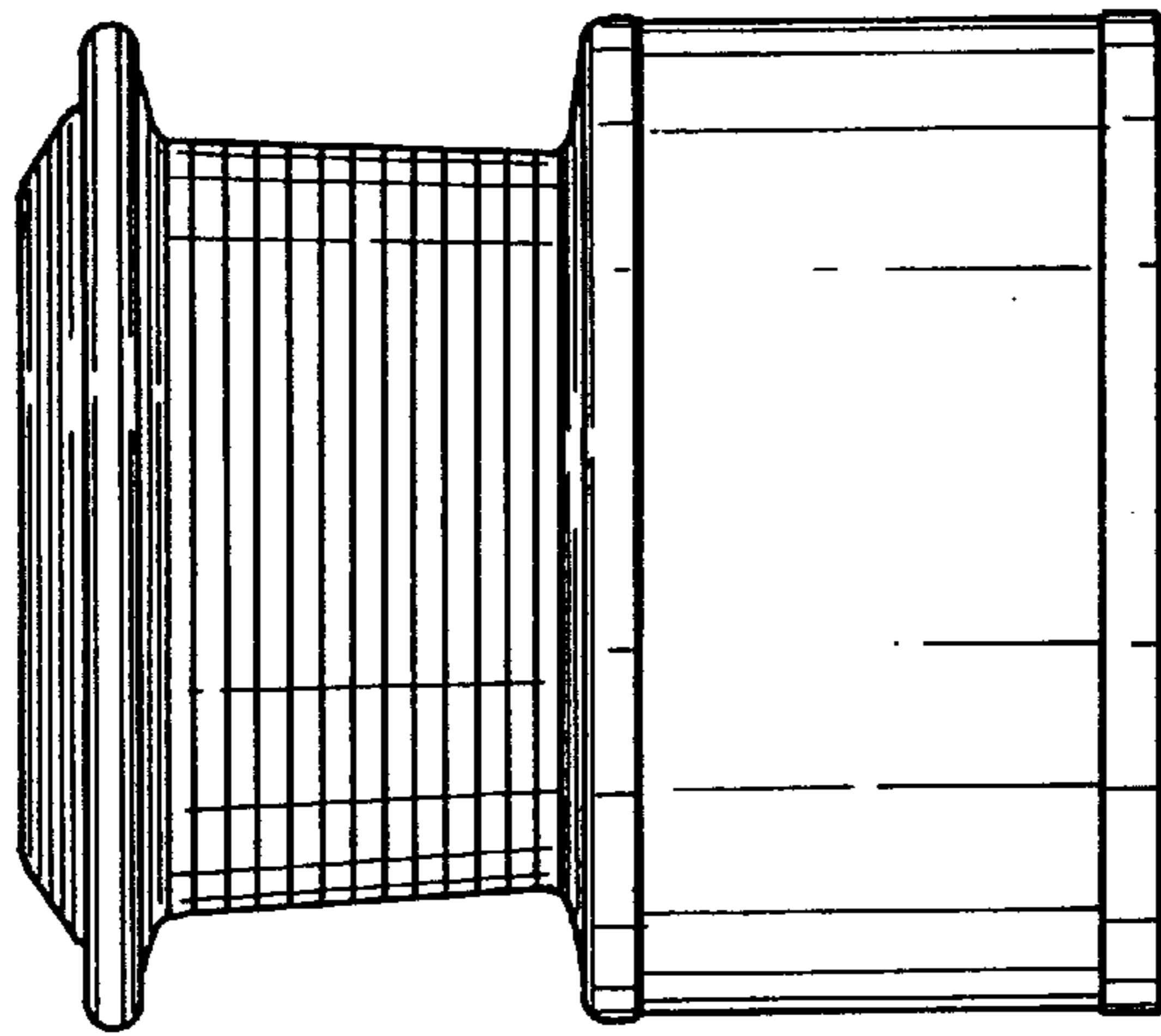


FIG. 10

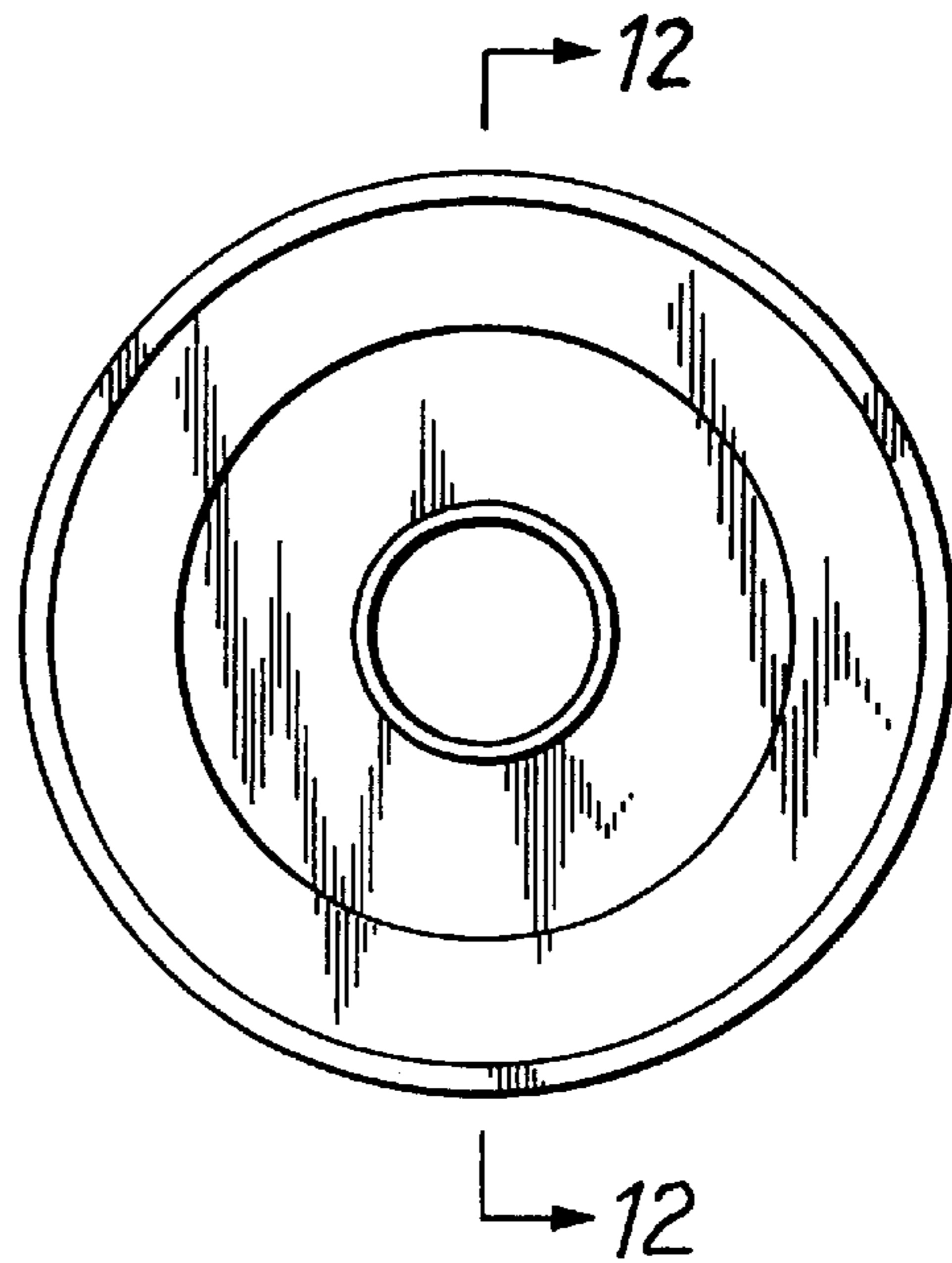


FIG. 11

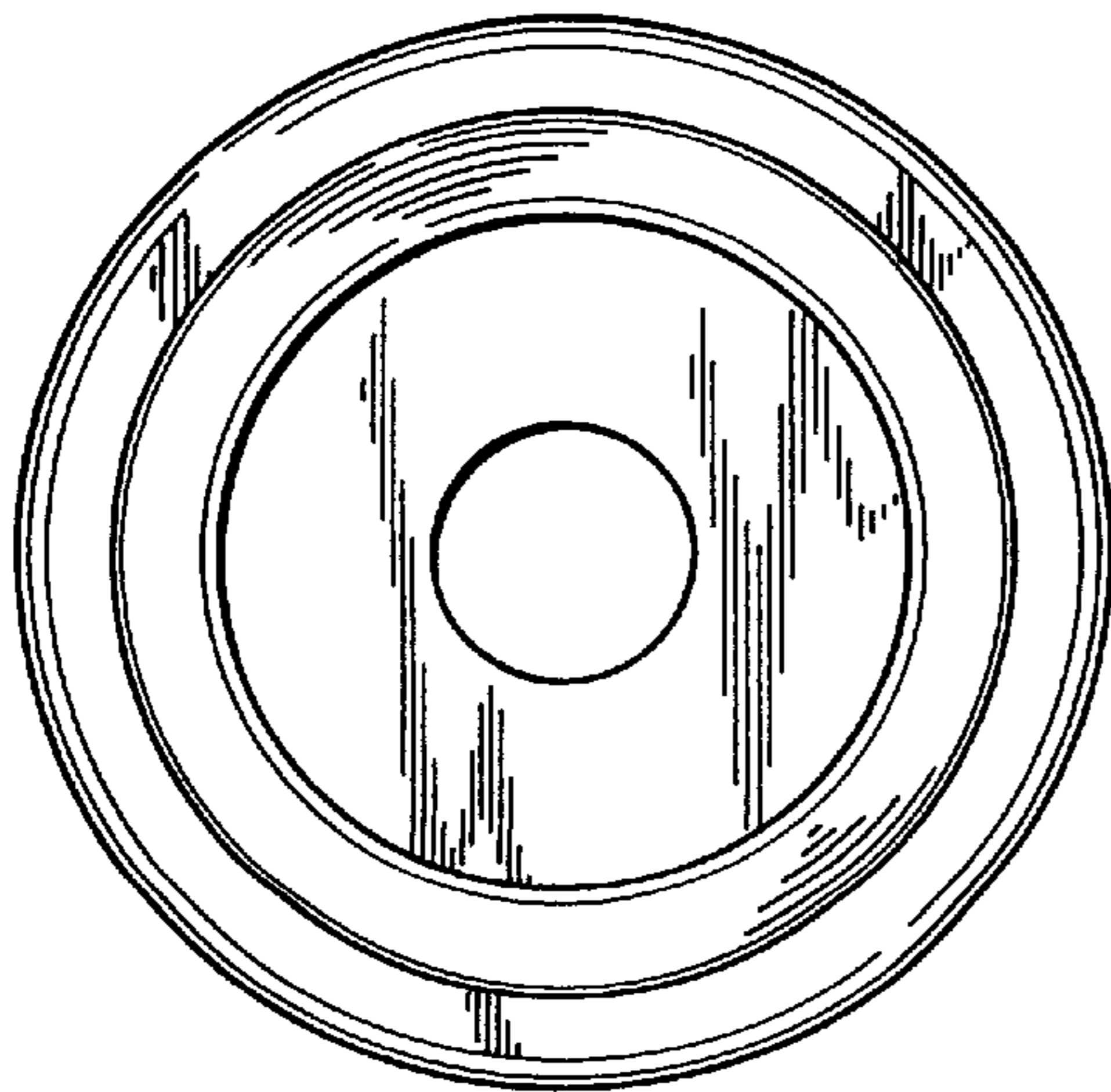


FIG. 12

