



US00D415811S

United States Patent [19]
Chen

[11] **Patent Number: Des. 415,811**

[45] **Date of Patent: ** Oct. 26, 1999**

[54] **FLIPPER**

5,358,439 10/1994 Paolo 441/64
5,588,890 12/1996 Garofalo 441/64

[76] Inventor: **Jiunn-Liang Chen**, No. 7 Lane 24,
Jen-Shing Road, Tai-Ping Shiang,
Taichung Hsien, Taiwan

Primary Examiner—Kay H. Chin
Attorney, Agent, or Firm—Rosenberg, Klein & Bilker

[**] Term: **14 Years**

[57] **CLAIM**

The ornamental design for a flipper, as shown and described.

[21] Appl. No.: **29/095,047**

DESCRIPTION

[22] Filed: **Oct. 15, 1998**

[51] **LOC (6) Cl.** **21-06**

[52] **U.S. Cl.** **D21/806**

[58] **Field of Search** D21/801, 806;
441/61, 62, 63, 64

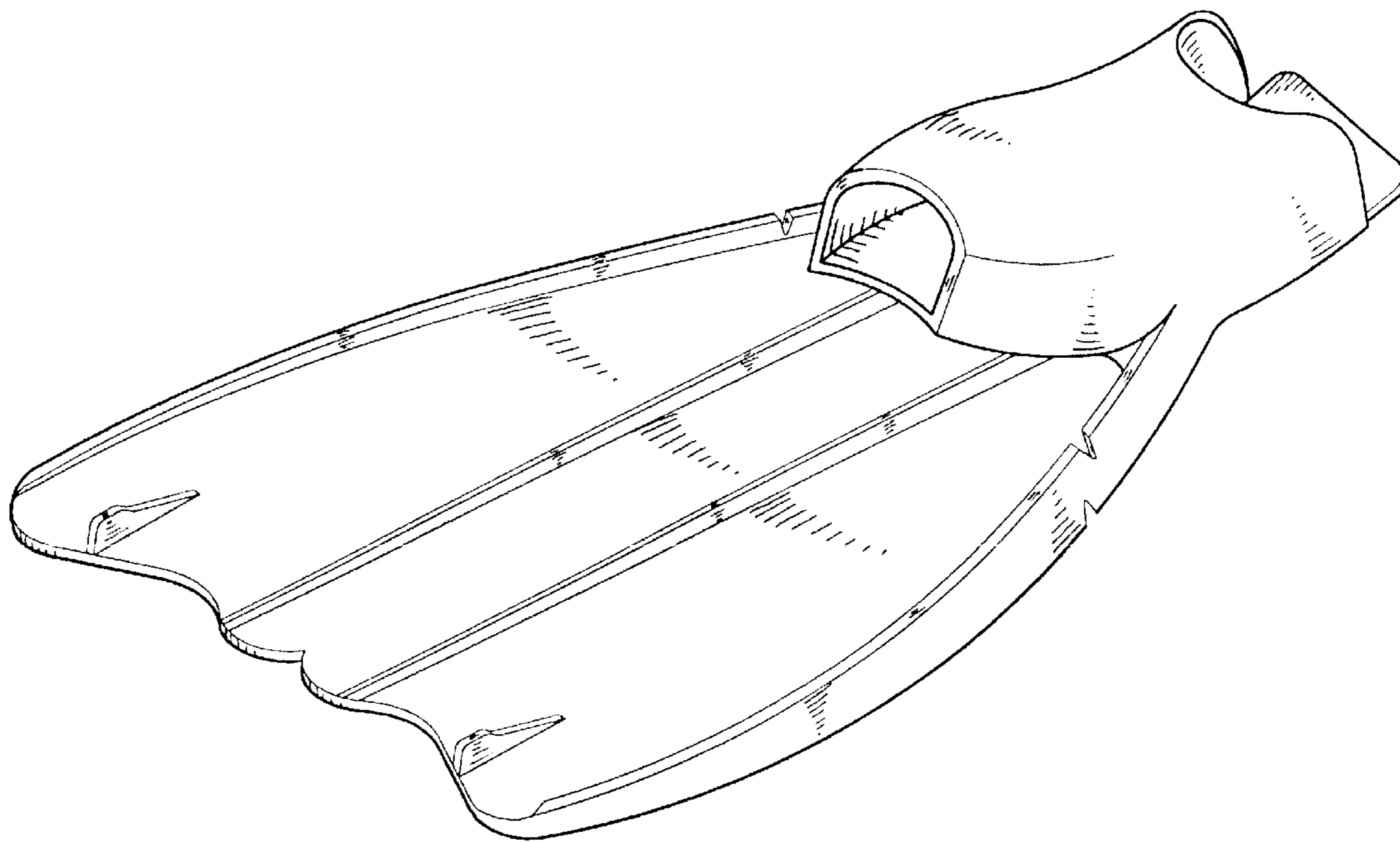
FIG. 1 is a front elevational view of a flipper showing my new design;
FIG. 2 is a left side elevational view thereof;
FIG. 3 is a right side elevational view thereof;
FIG. 4 is a top plan view thereof;
FIG. 5 is a bottom plan view thereof;
FIG. 6 is a rear elevational view thereof; and,
FIG. 7 is a perspective view thereof.

[56] **References Cited**

U.S. PATENT DOCUMENTS

D. 350,801 9/1994 Dagnino D21/806
D. 355,012 1/1995 Robertson D21/239

1 Claim, 7 Drawing Sheets



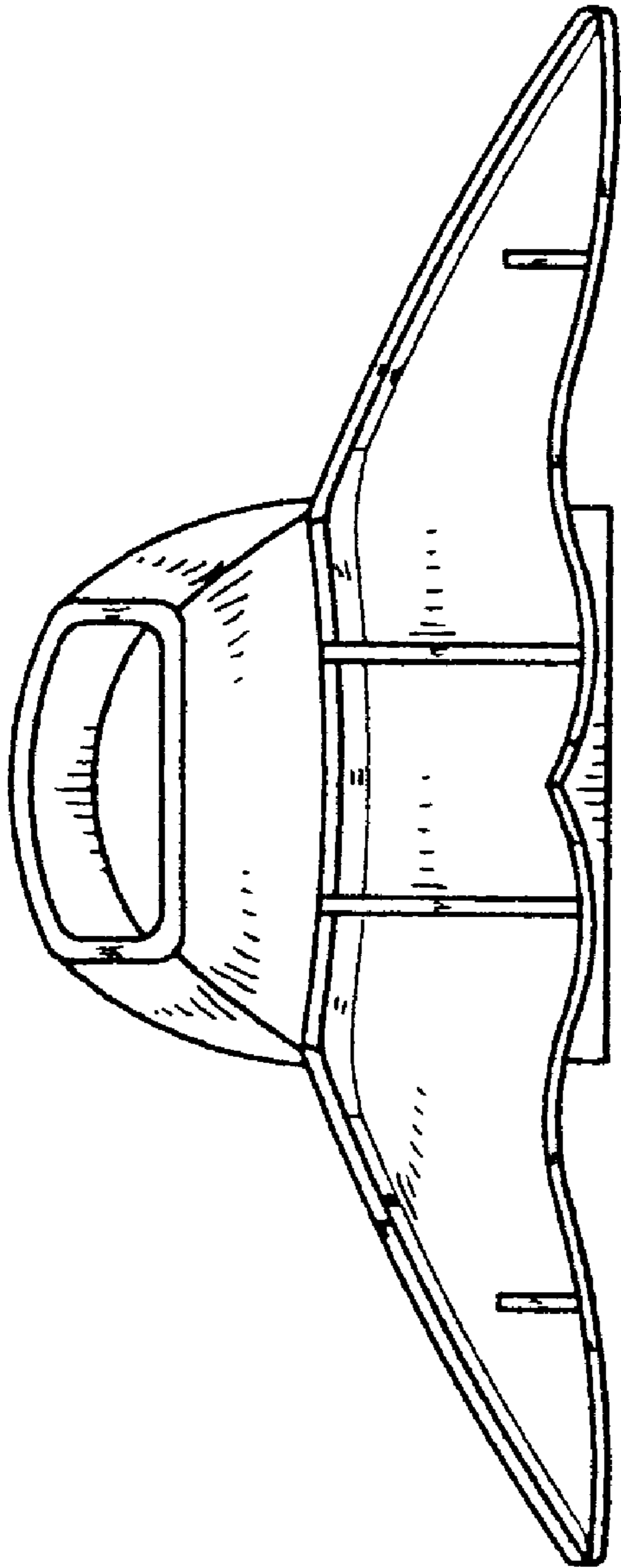


FIG. 1

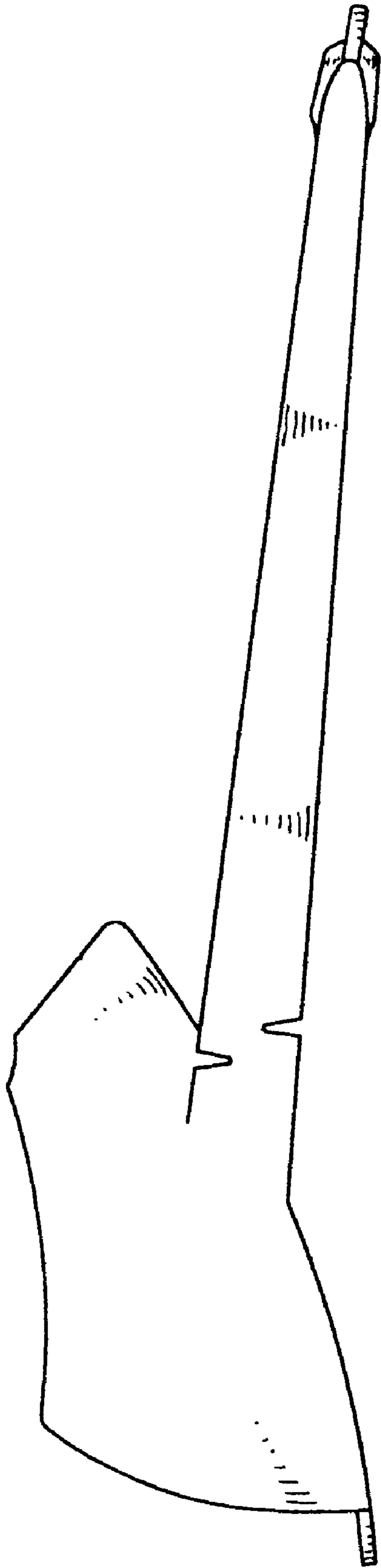


FIG. 2

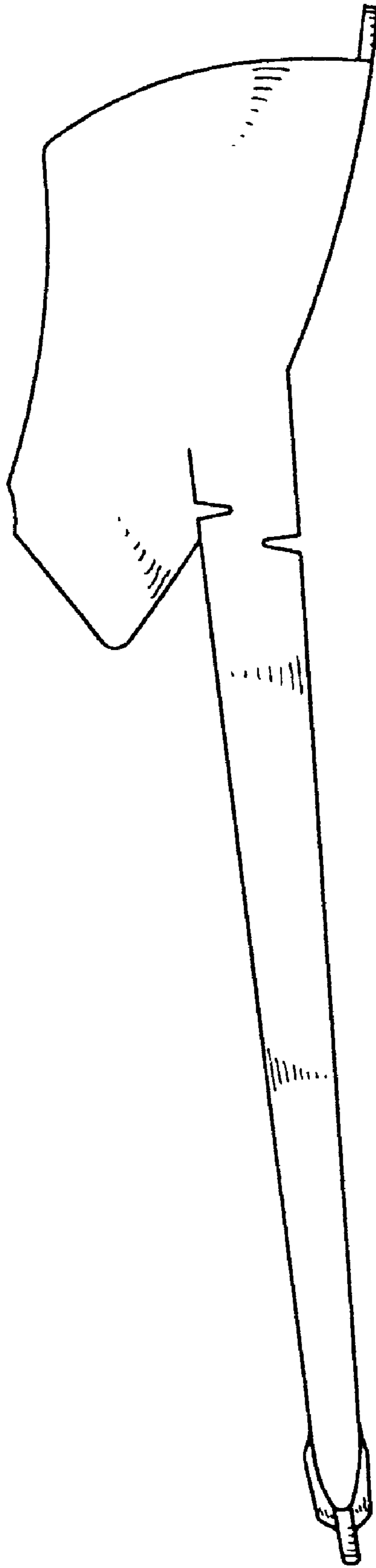


FIG. 3

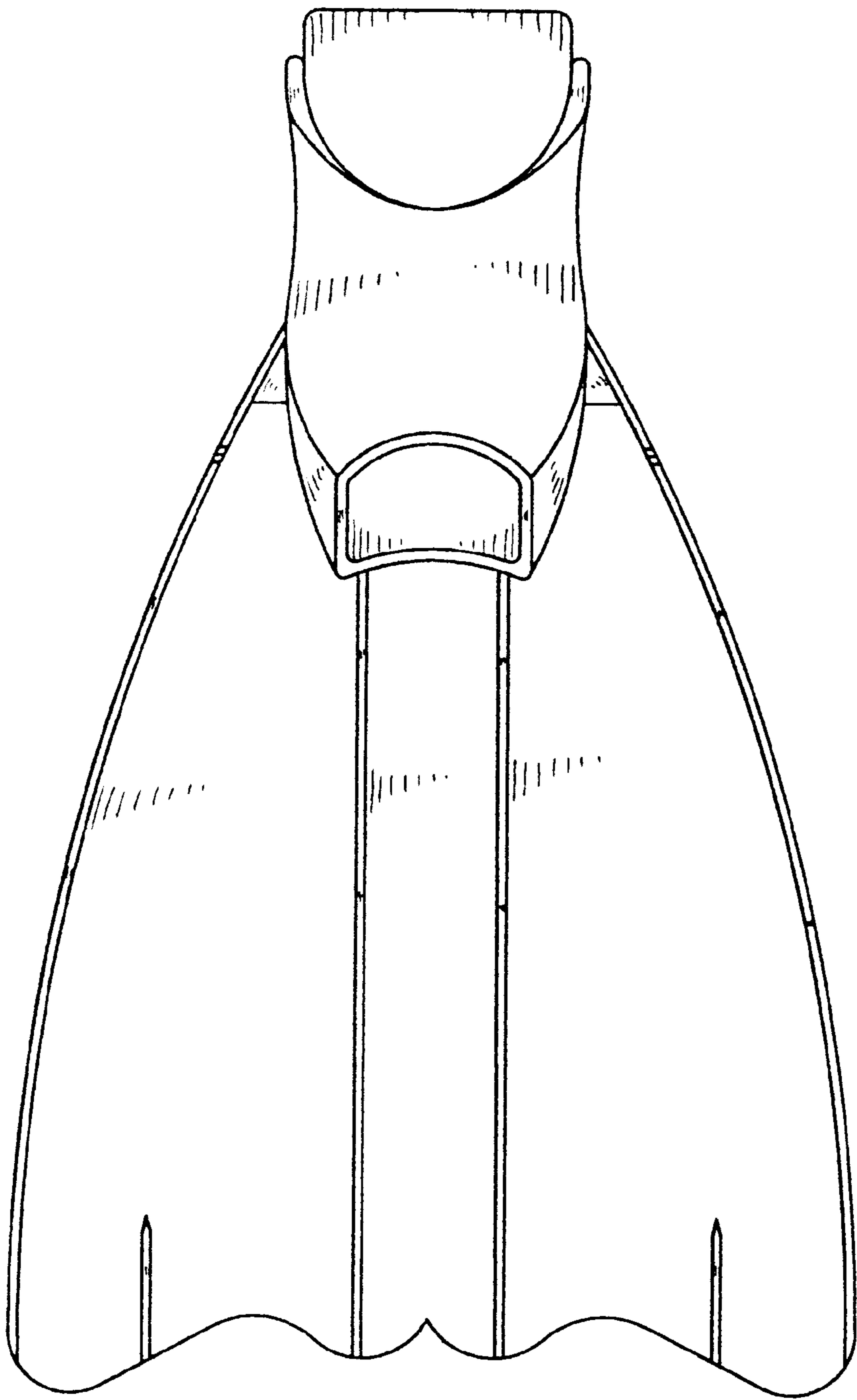


FIG .4

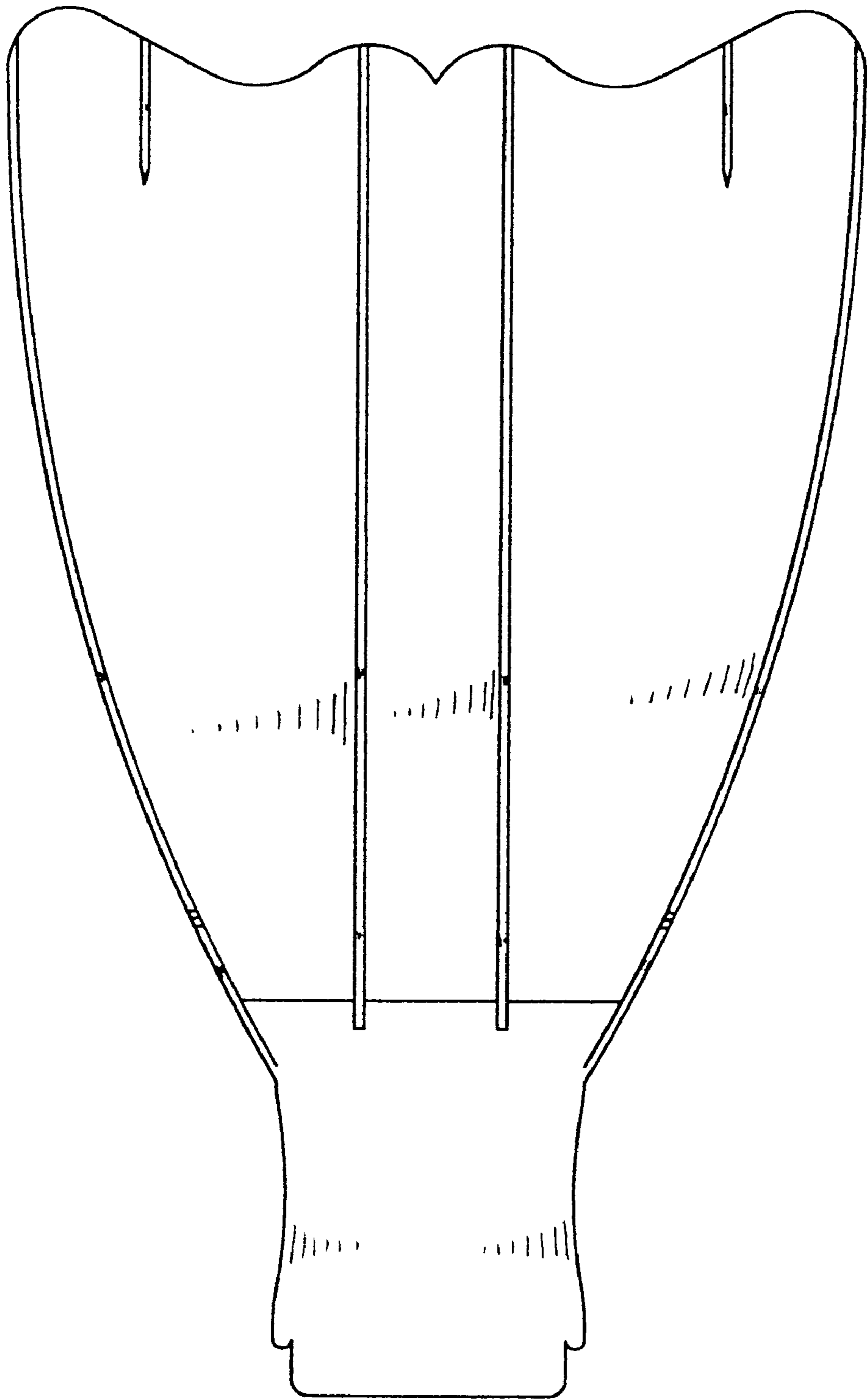


FIG. 5

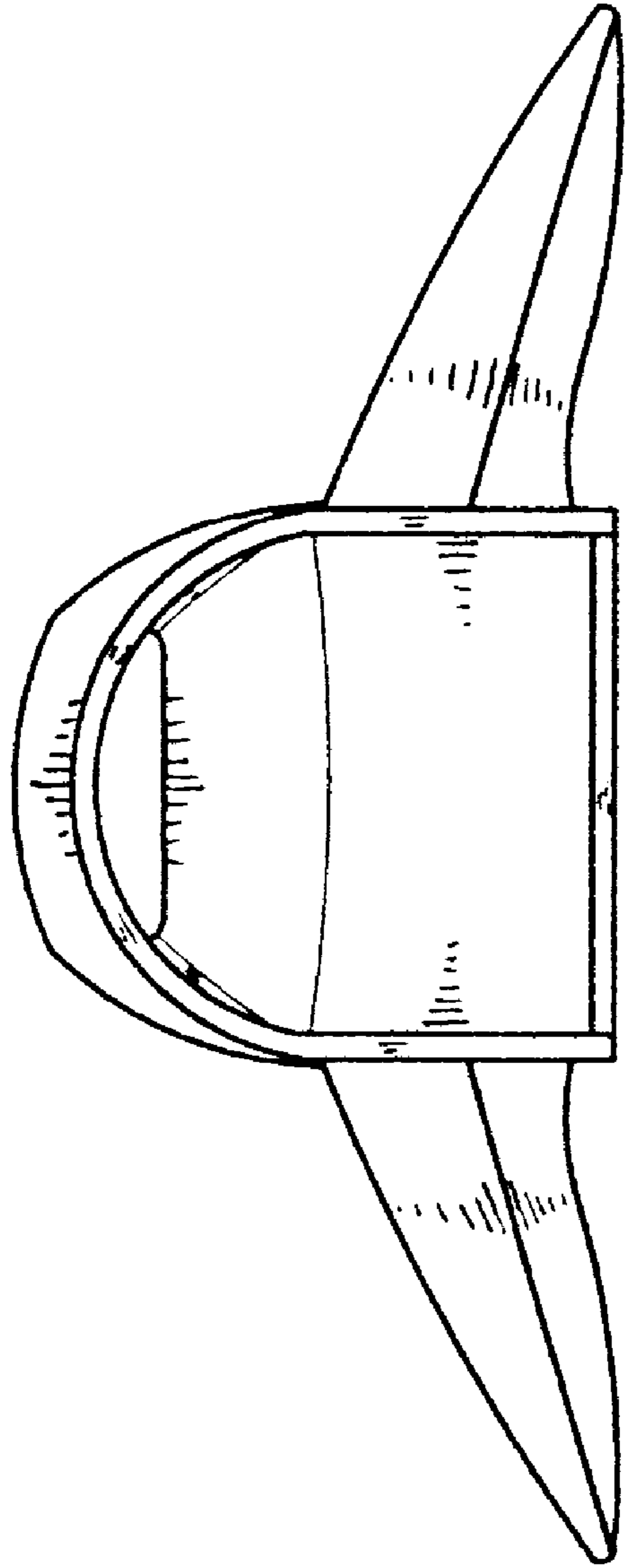


FIG. 6

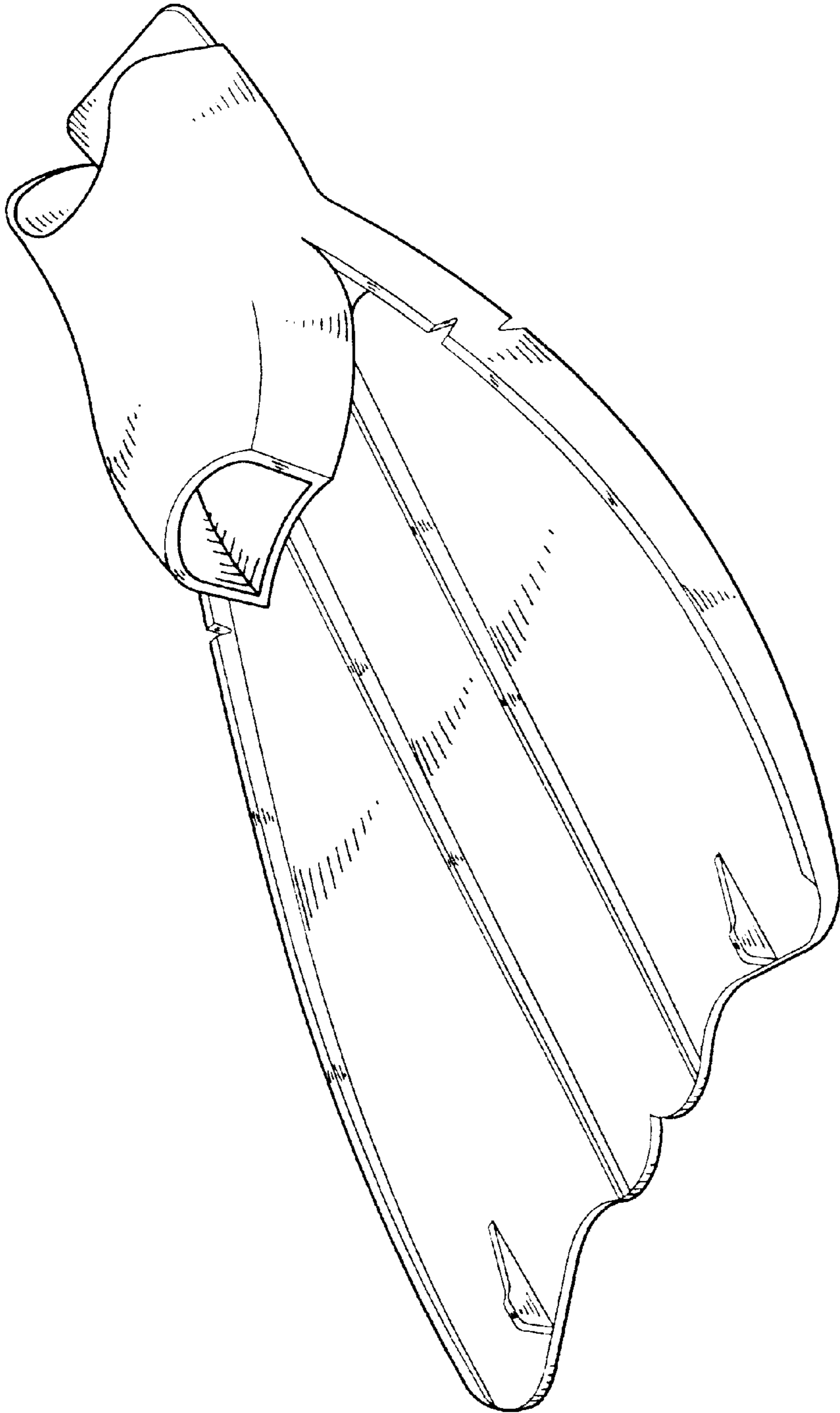


FIG. 7