



US00D415810S

**United States Patent** [19]  
**Woodard**

[11] **Patent Number: Des. 415,810**

[45] **Date of Patent: \*\* Oct. 26, 1999**

[54] **FLOAT**

4,810,219 3/1989 Anderson et al. .... 441/80  
5,408,238 4/1995 Smith ..... 441/80 X

[75] Inventor: **Willie J Woodard**, Mulberry, Fla.

[73] Assignee: **Willie James Woodard**, Mulberry, Fla.

*Primary Examiner*—Kay H. Chin

[\*\*] Term: **14 Years**

[57] **CLAIM**

[21] Appl. No.: **29/070,455**

The ornamental design for a float, as shown.

[22] Filed: **May 8, 1997**

**DESCRIPTION**

[51] **LOC (6) Cl.** ..... **21-06**

[52] **U.S. Cl.** ..... **D21/803**

[58] **Field of Search** ..... D21/236, 237,  
D21/542; 446/163, 187; 441/80, 88, 92,  
96, 99, 136

FIG. 1 is a side view of a float showing my new design;

FIG. 2 is a exploded view thereof;

FIG. 3 is a perspective view thereof; and,

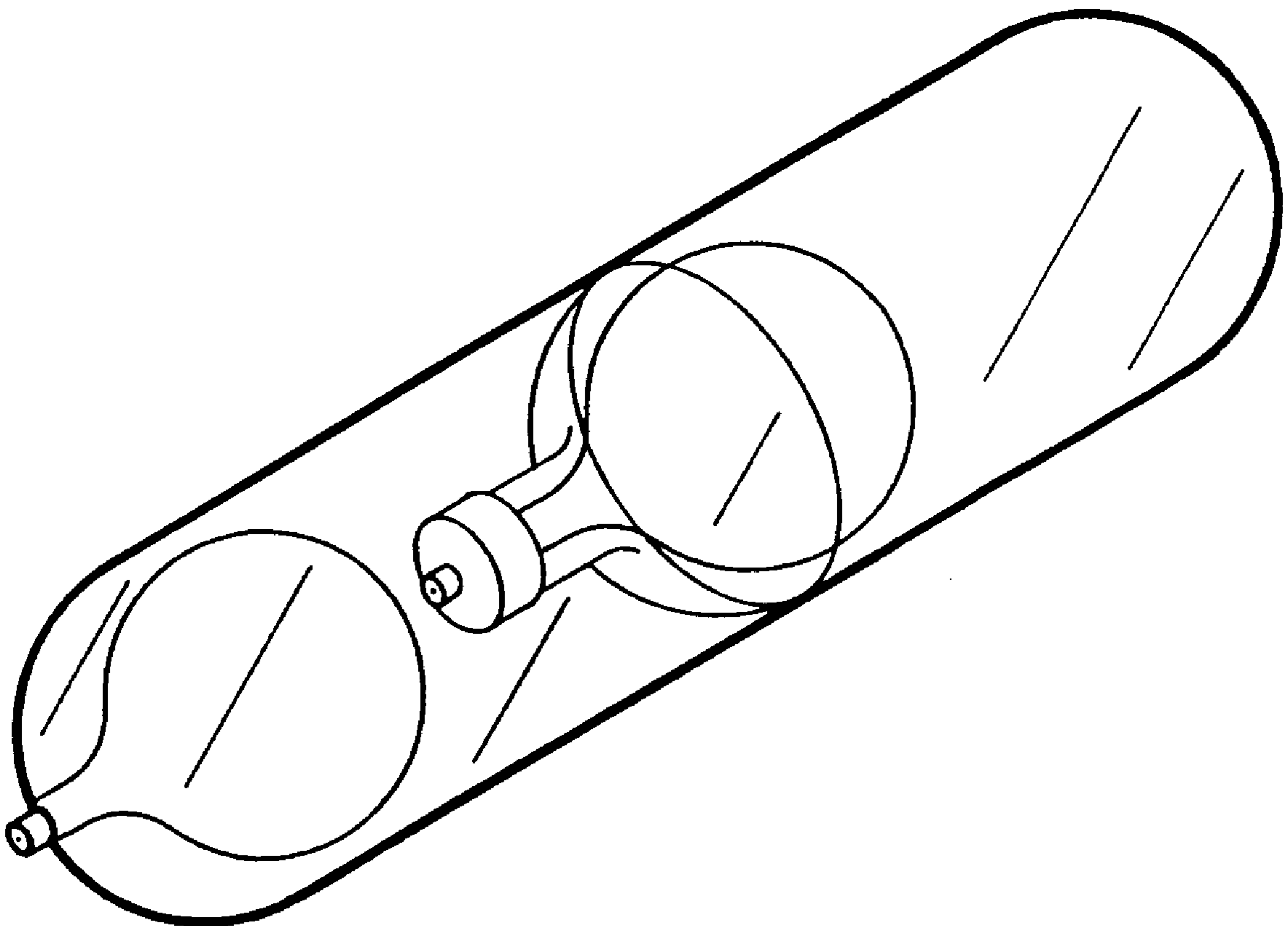
FIG. 4 is a top view thereof.

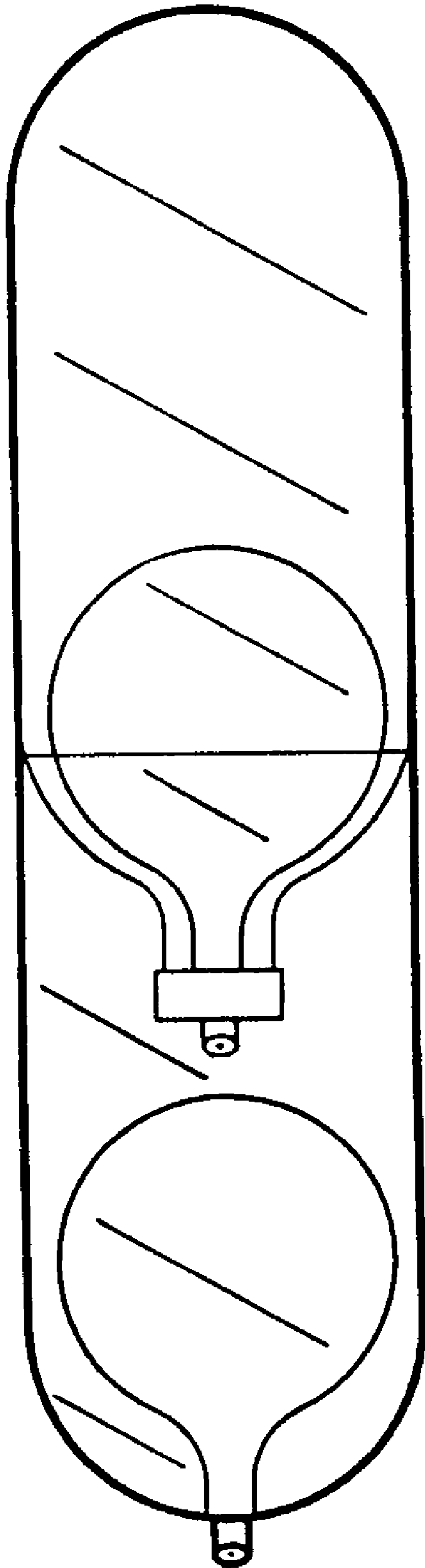
[56] **References Cited**

**U.S. PATENT DOCUMENTS**

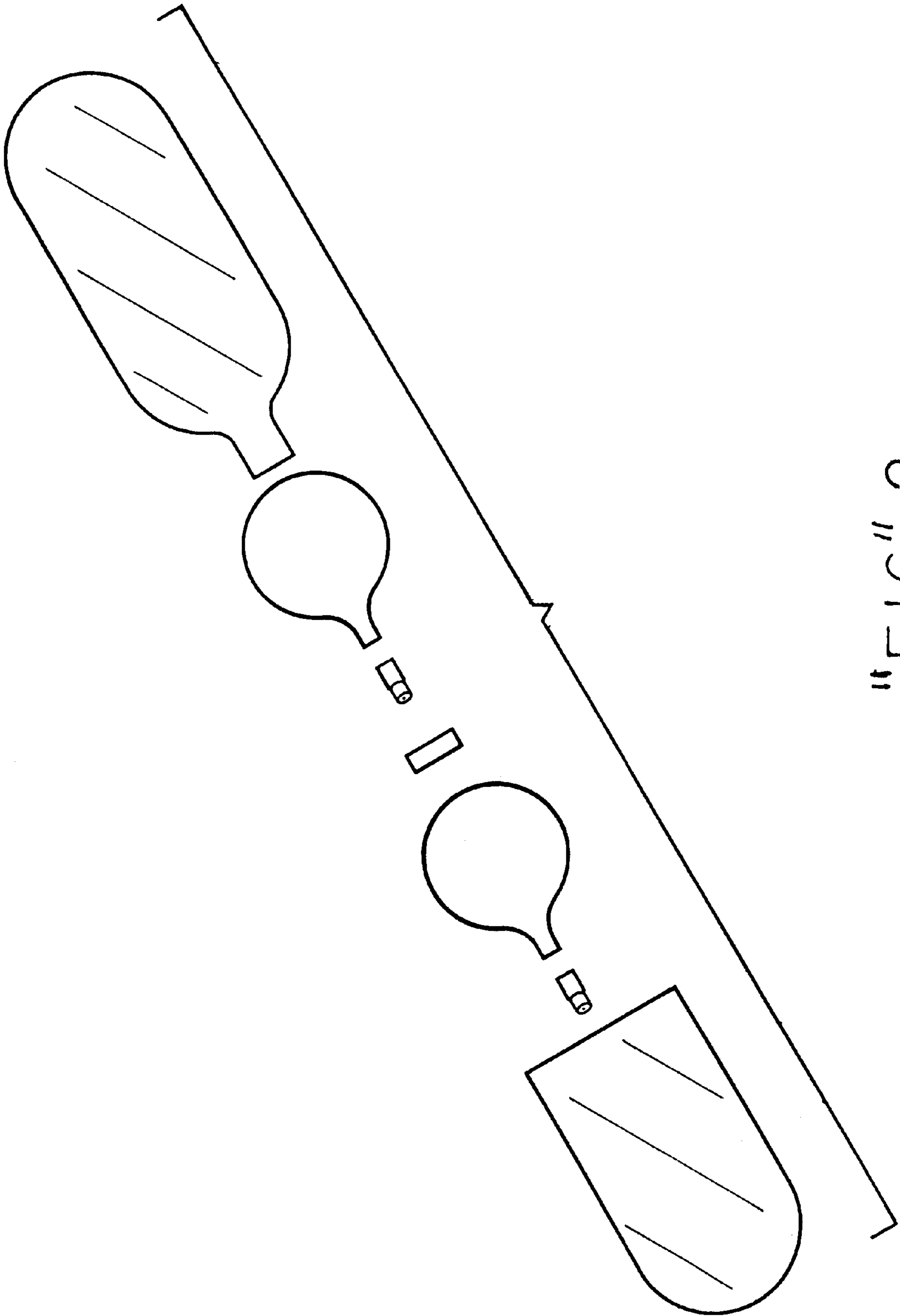
1,596,852 8/1926 Foster ..... D21/237 X

**1 Claim, 3 Drawing Sheets**

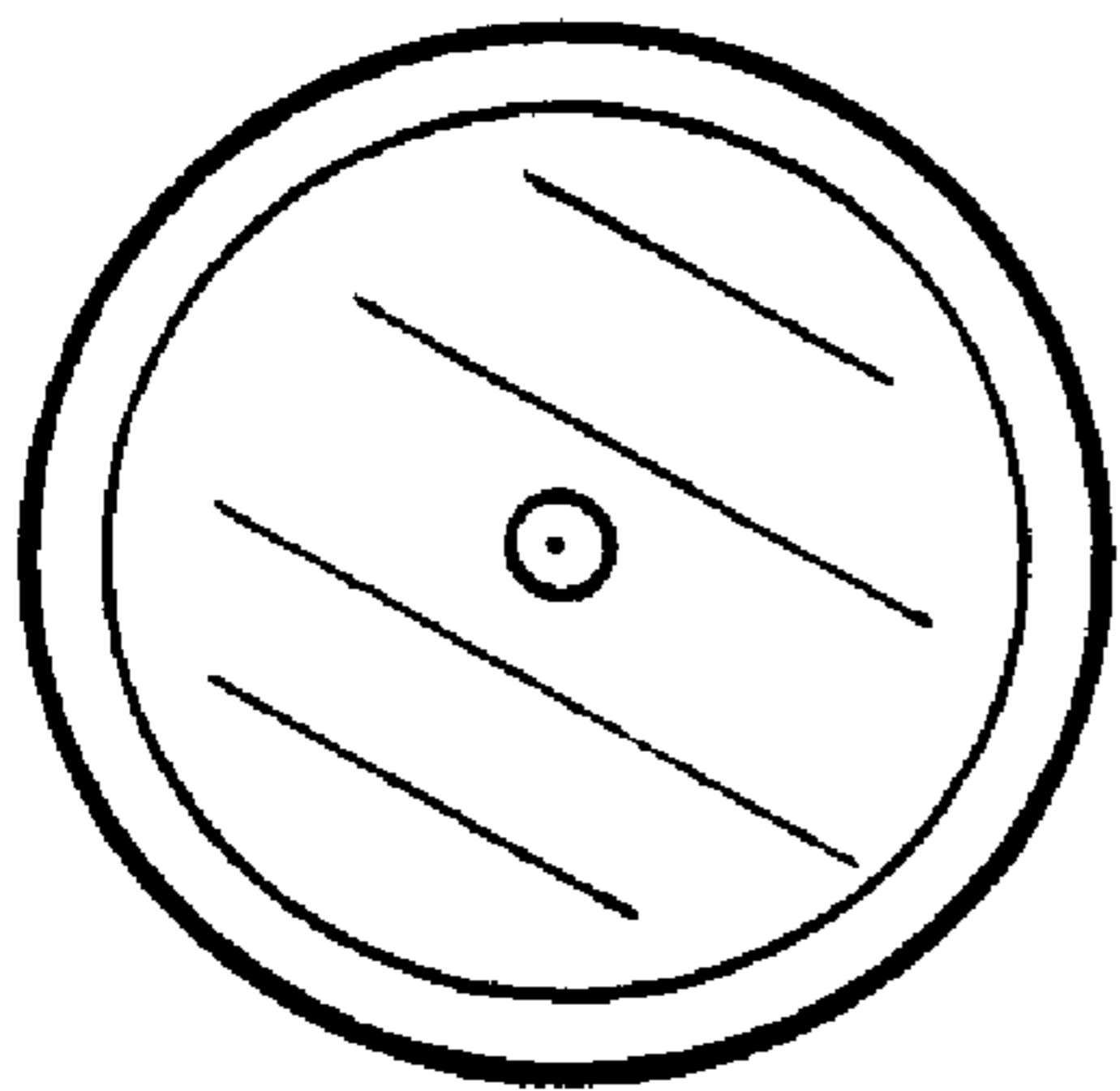




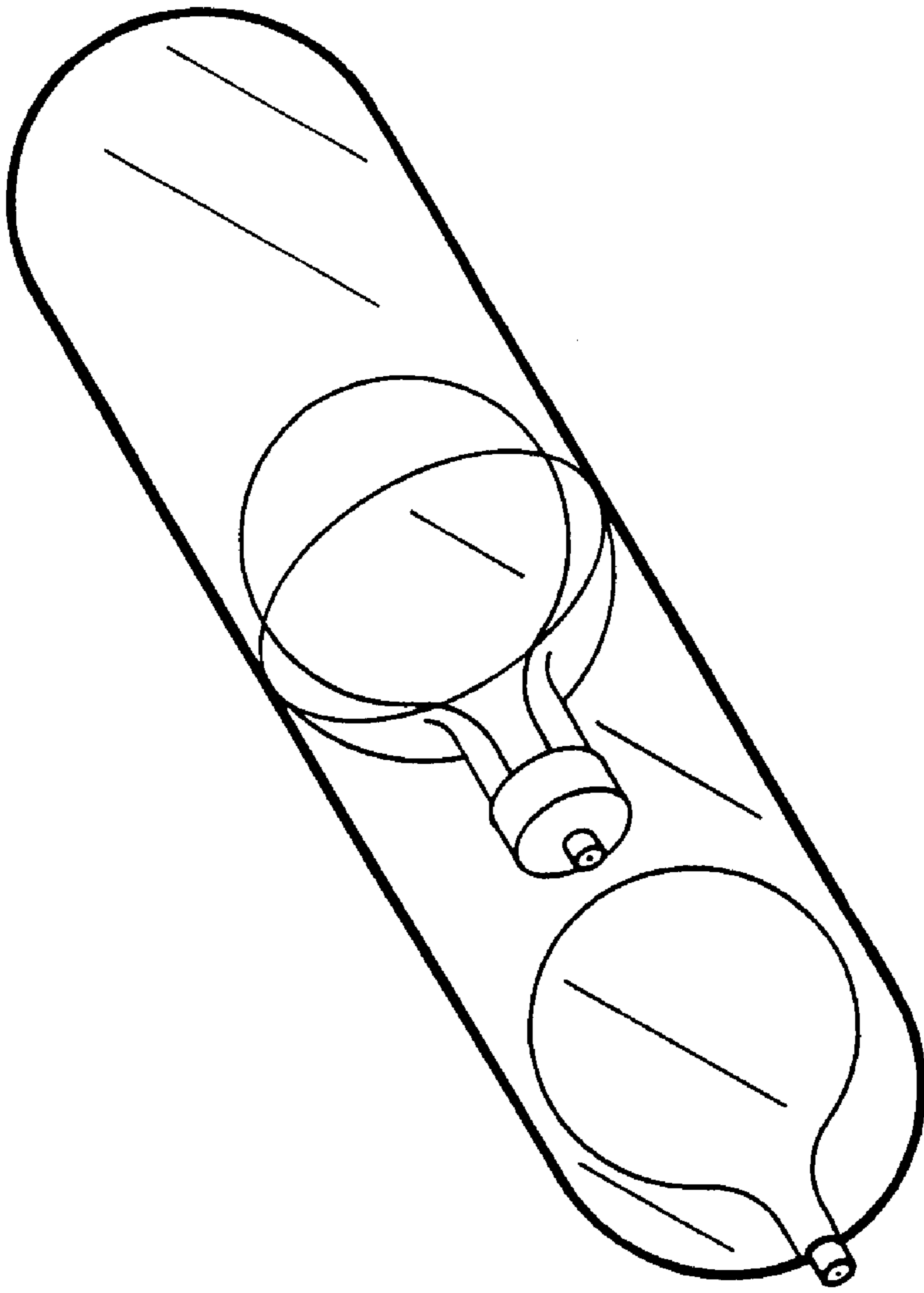
"FIG. 1



"FIG." 2



"FIG": 4



"FIG": 3