



US00D415807S

United States Patent [19]

Werner et al.

[11] **Patent Number: Des. 415,807**

[45] **Date of Patent: ** Oct. 26, 1999**

[54] **GOLF CLUB DRIVER HEAD**

[75] Inventors: **Frank D. Werner**, 3975 S. Highway 89, Jackson, Wyo. 83001; **Richard C. Greig**, Jackson, Wyo.

[73] Assignee: **Frank D. Werner**, Teton Village, Wyo.

[**] Term: **14 Years**

[21] Appl. No.: **29/096,719**

[22] Filed: **Nov. 19, 1998**

[51] **LOC (6) Cl.** **21-02**

[52] **U.S. Cl.** **D21/733**

[58] **Field of Search** D21/733, 752, D21/753, 759; 473/324, 327-331, 345, 346

[56] **References Cited**

U.S. PATENT DOCUMENTS

D. 268,357	3/1983	Mader	D21/733
D. 298,269	10/1988	Flood	D21/752
D. 406,295	3/1999	Long	D21/752
1,916,792	7/1933	Hadden	473/324

Primary Examiner—Mitchell Siegel

Attorney, Agent, or Firm—Westman, Champlin & Kelly, P.A.

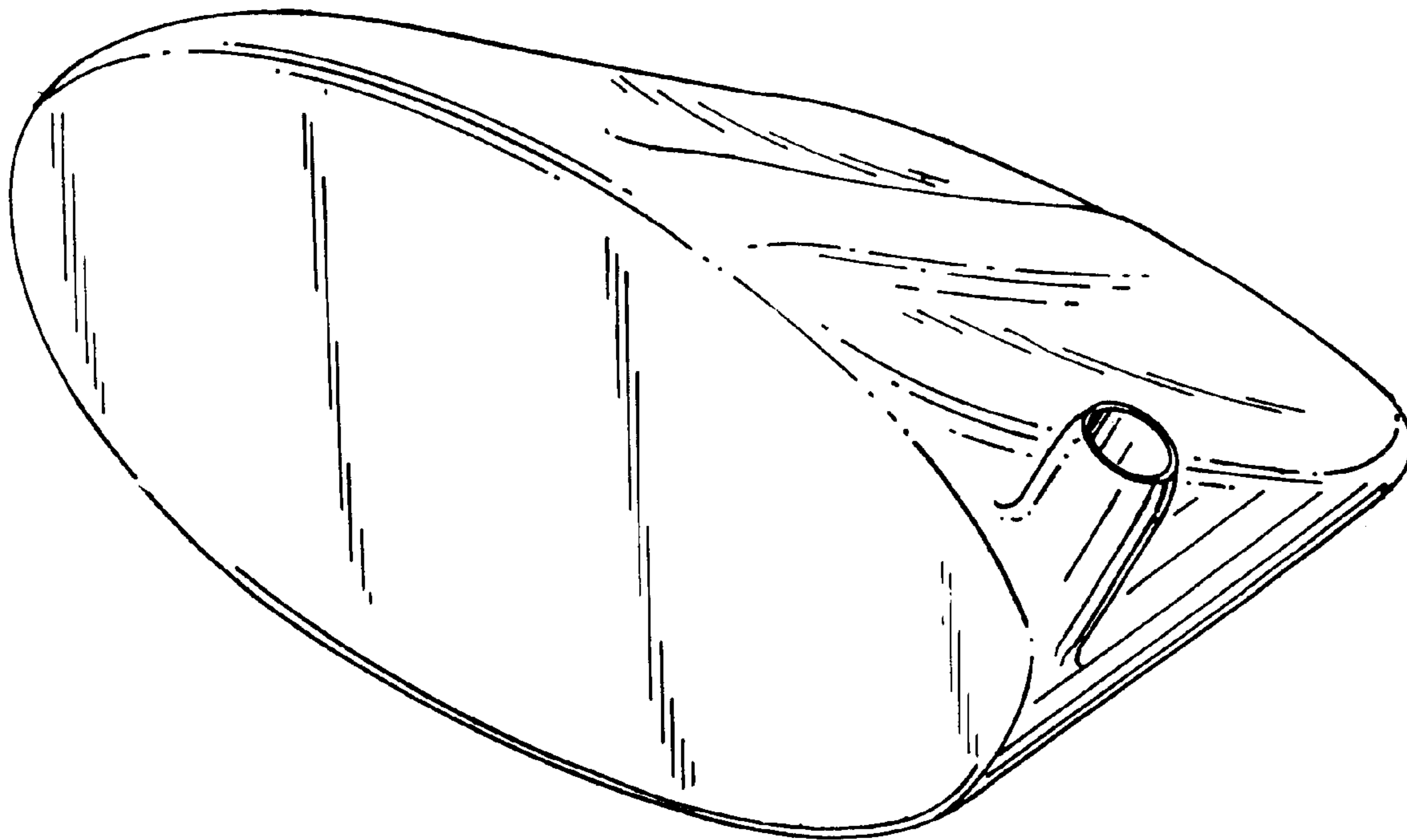
[57] **CLAIM**

The ornamental design for a golf club driver head, as shown and described.

DESCRIPTION

FIG. 1 is a perspective view of a golf club driver head embodying our new design;
 FIG. 2 is a front elevational view thereof;
 FIG. 3 is a top plan view thereof;
 FIG. 4 is a rear elevational view thereof;
 FIG. 5 is a side elevational view thereof;
 FIG. 6 is a side elevational view thereof viewed from an opposite side from FIG. 5; and
 FIG. 7 is a bottom plan view thereof.
 FIG. 8 is a perspective view of a second embodiment of the golf club drive head as disclosed in FIG. 1;
 FIG. 9 is a front elevational view;
 FIG. 10 is a top plan view;
 FIG. 11 is a side elevational view; and,
 FIG. 12 is a side elevational view viewed from an opposite side from FIG. 11, the rear and bottom views of the modified from being the same as FIGS. 4 and 7.

1 Claim, 5 Drawing Sheets



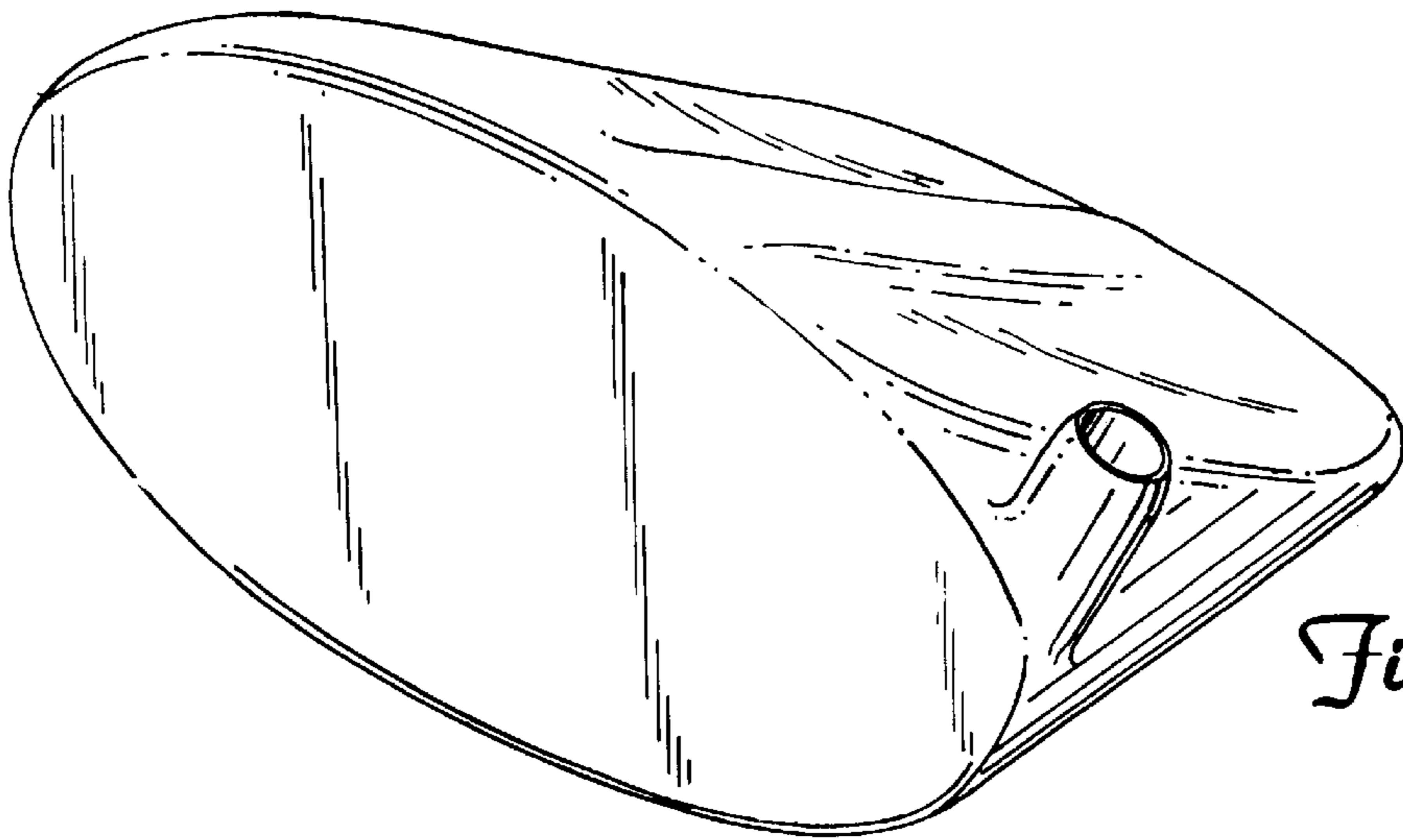


Fig. 1

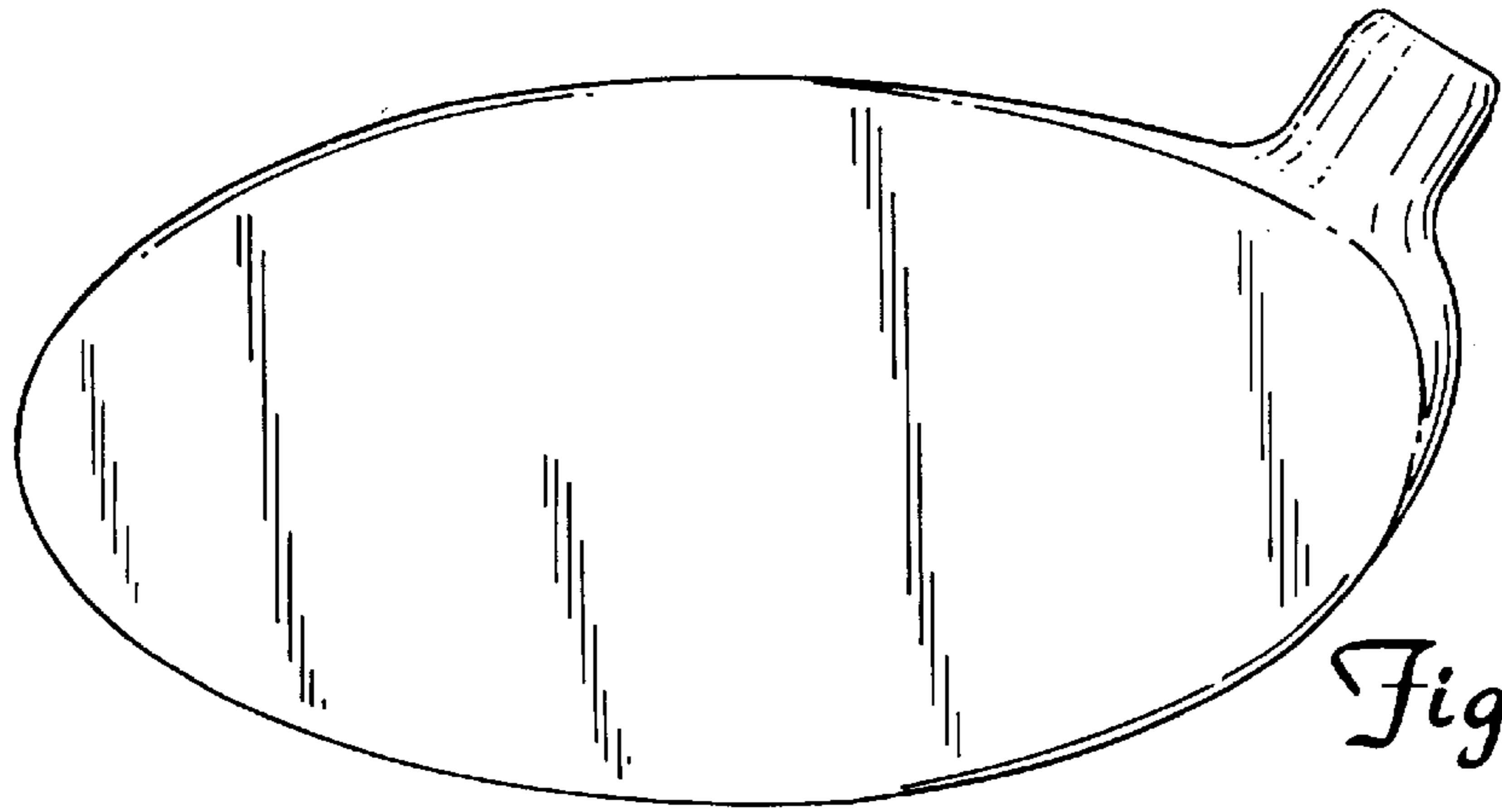


Fig. 2

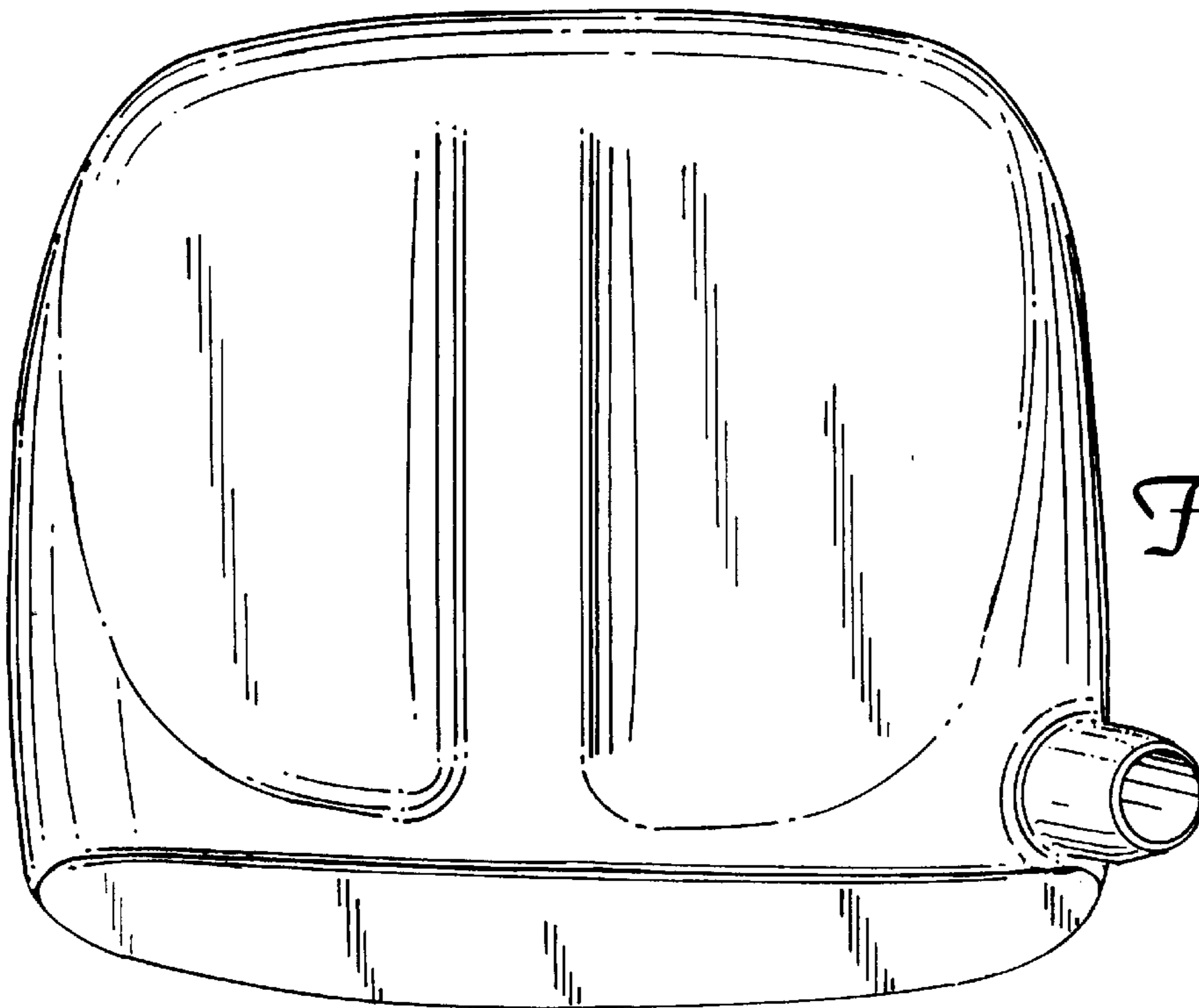


Fig. 3

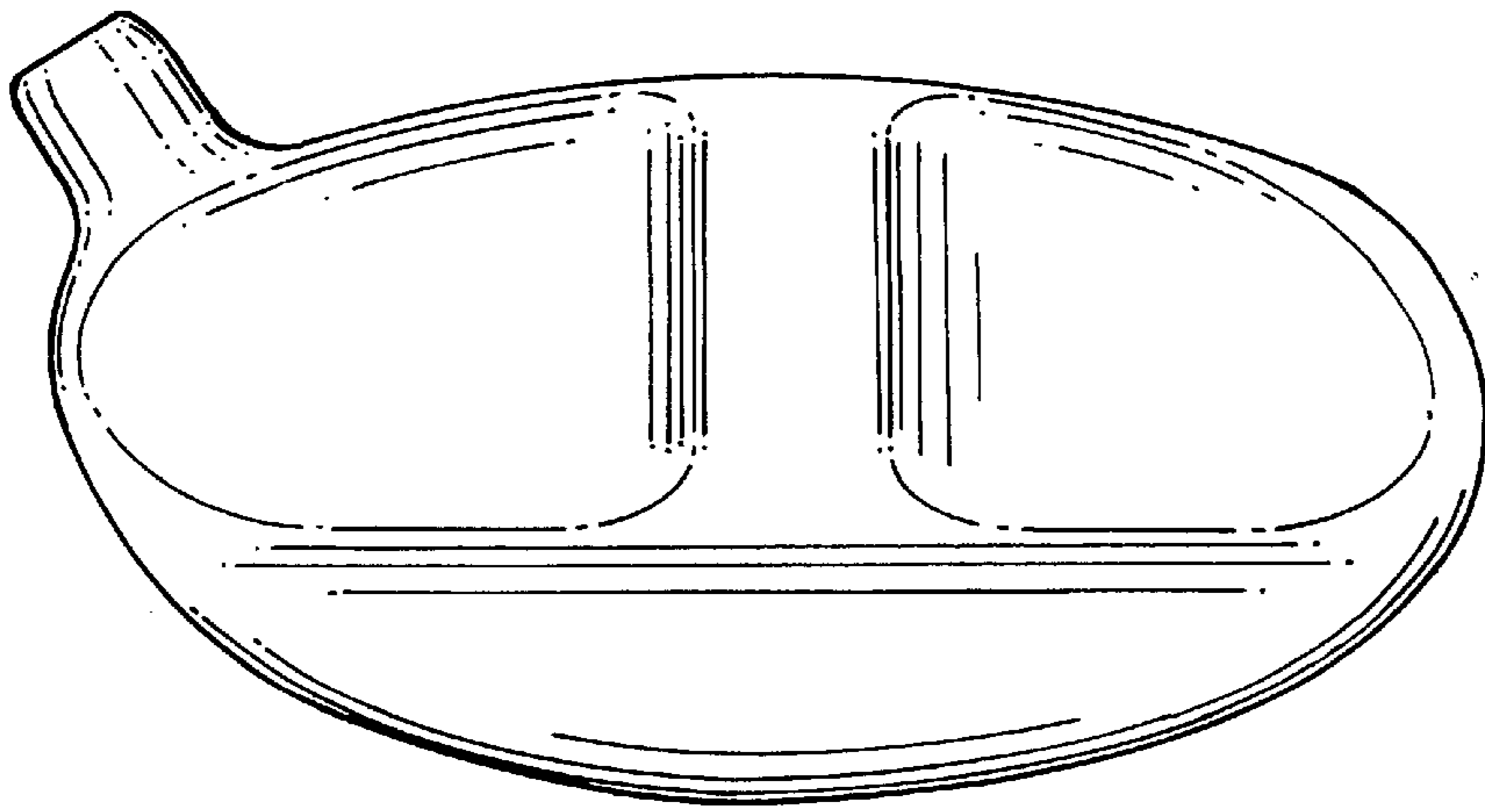


Fig. 4

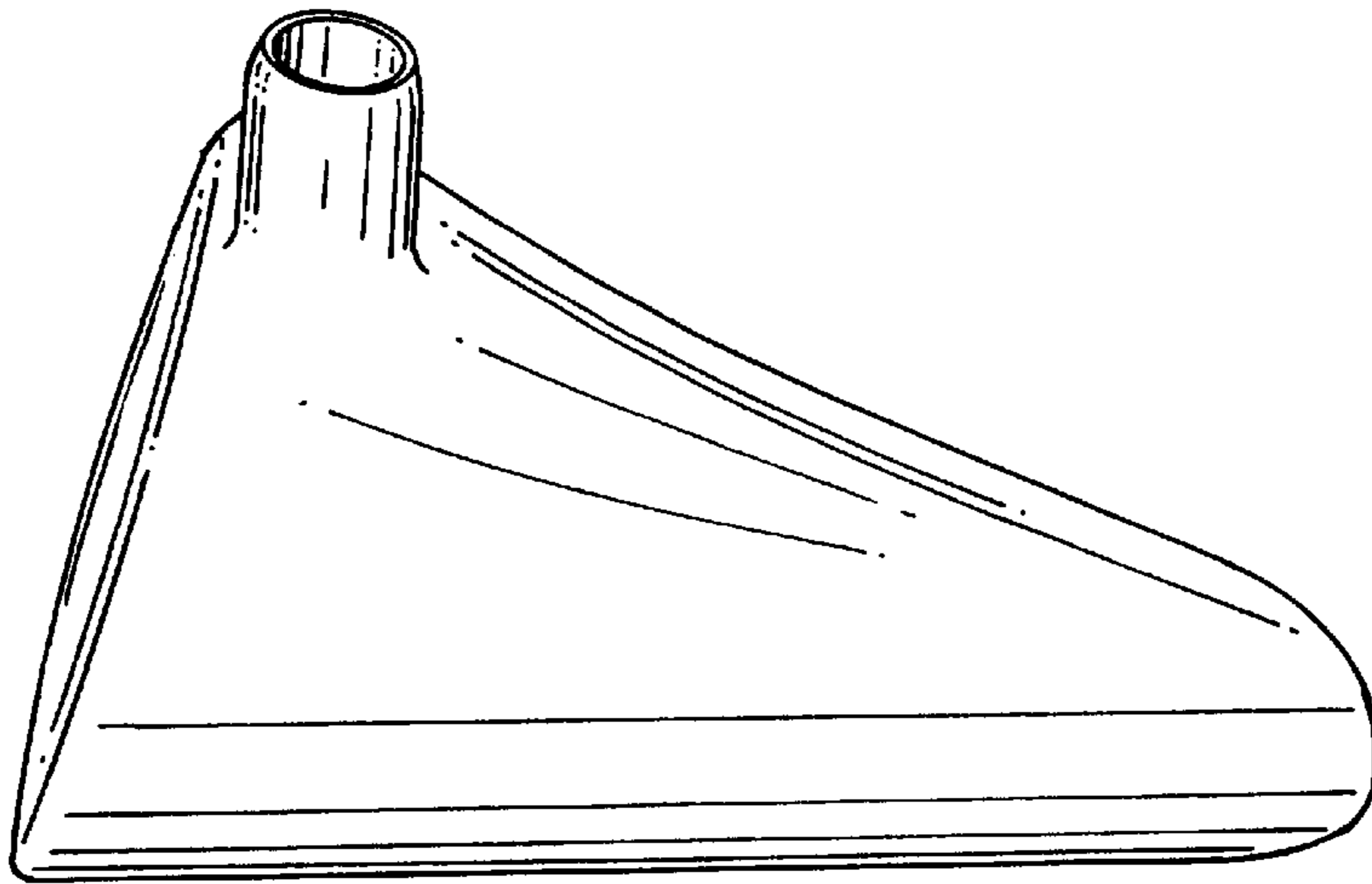


Fig. 5

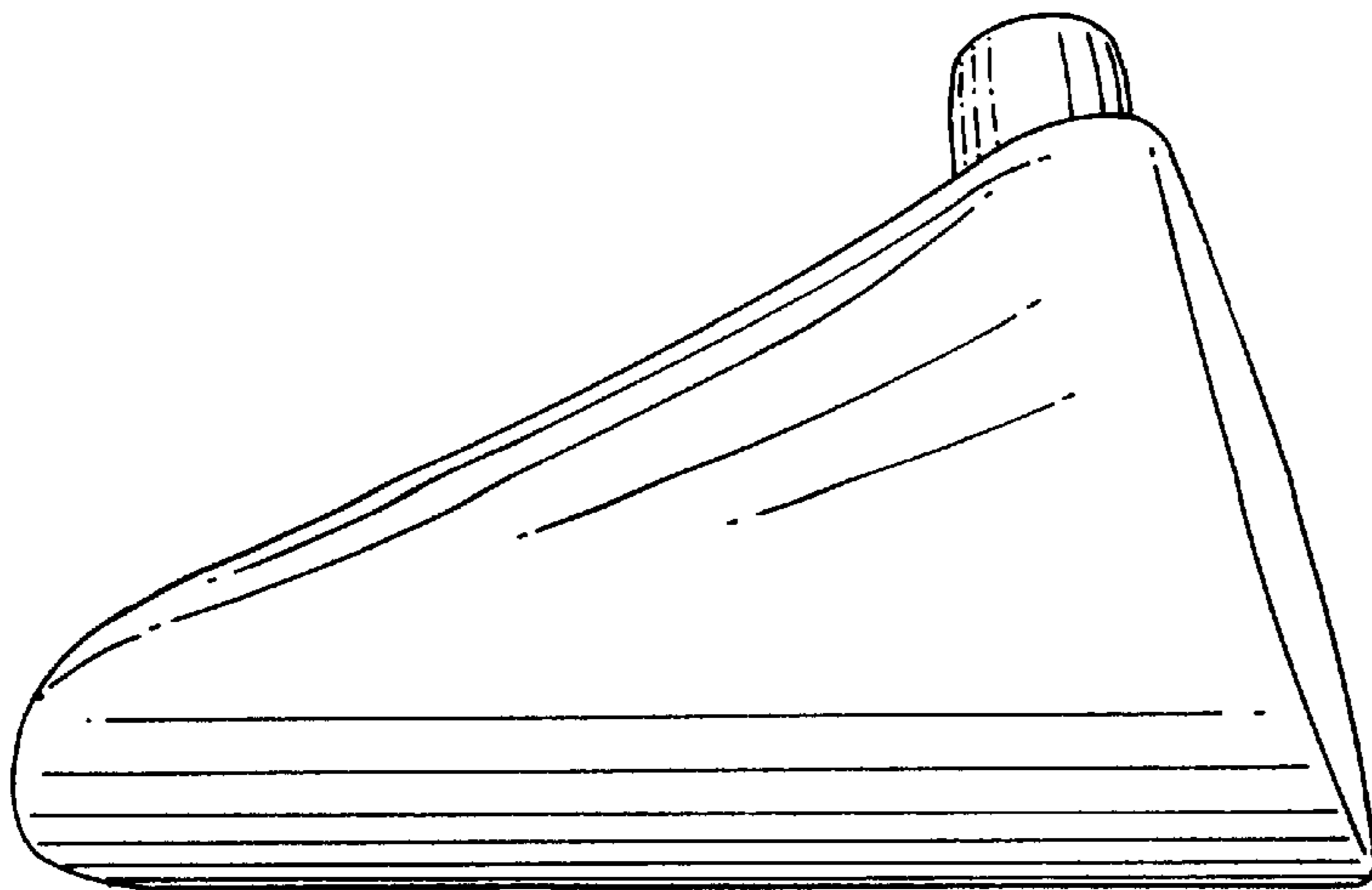


Fig. 6

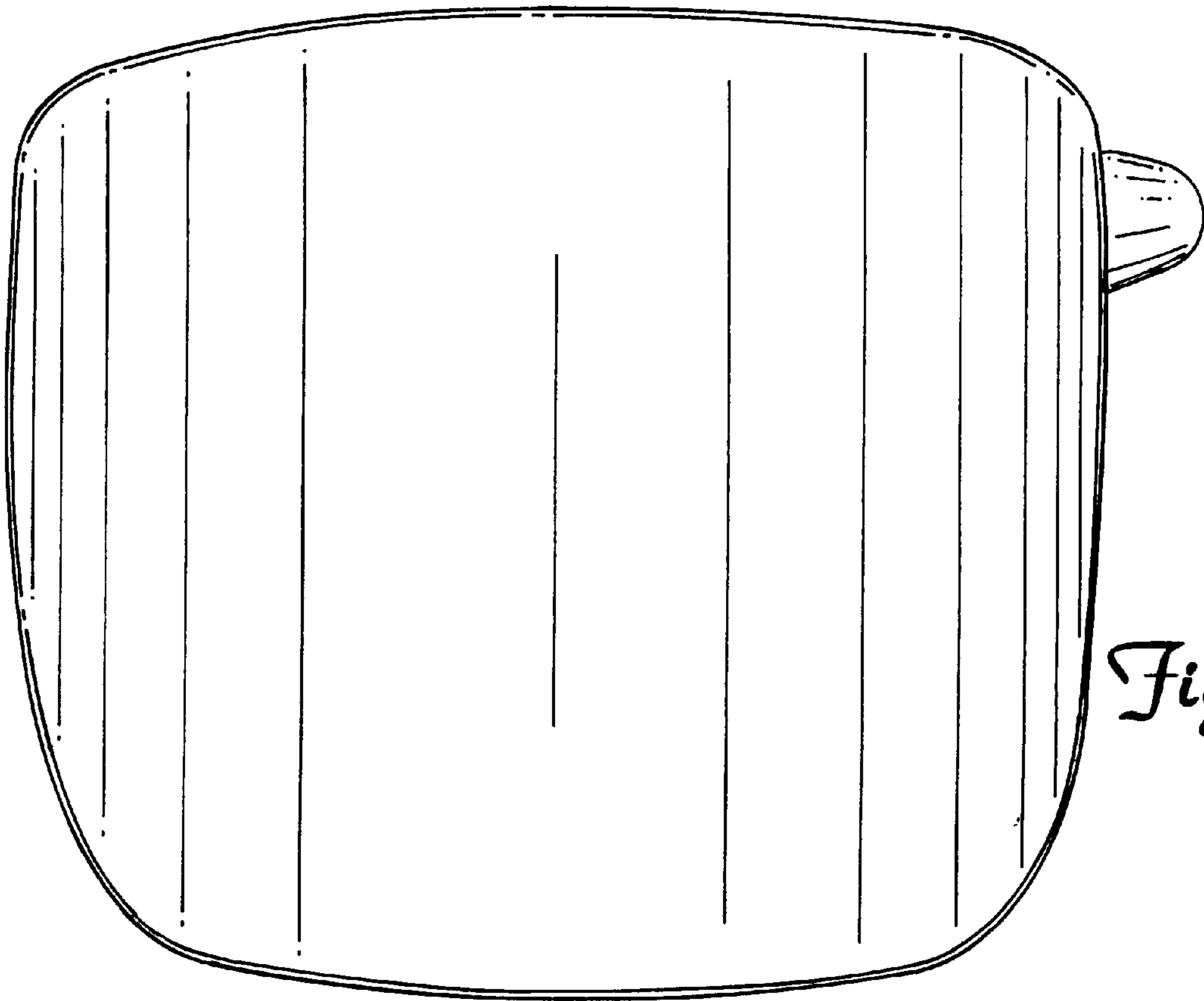


Fig. 7

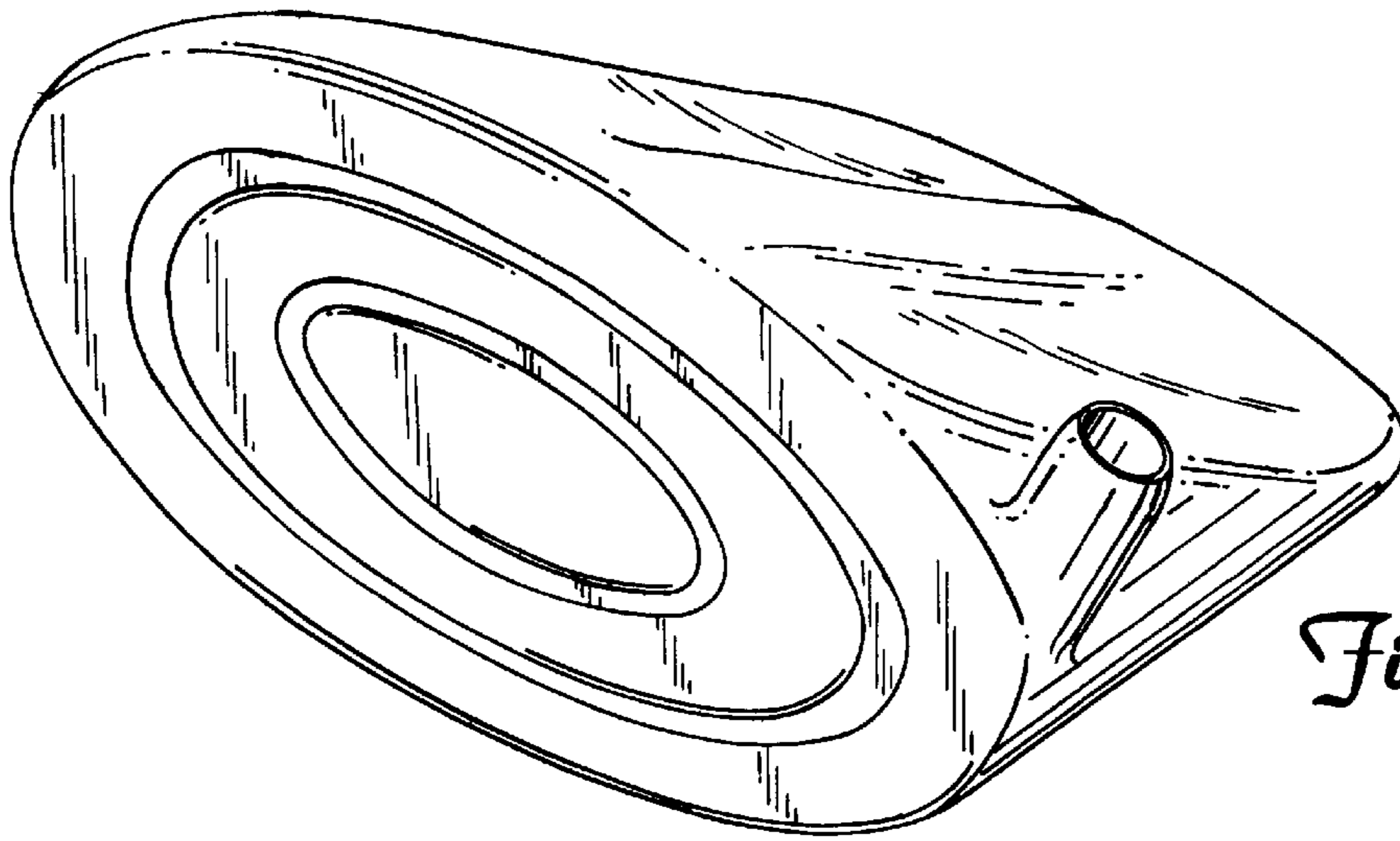


Fig. 8

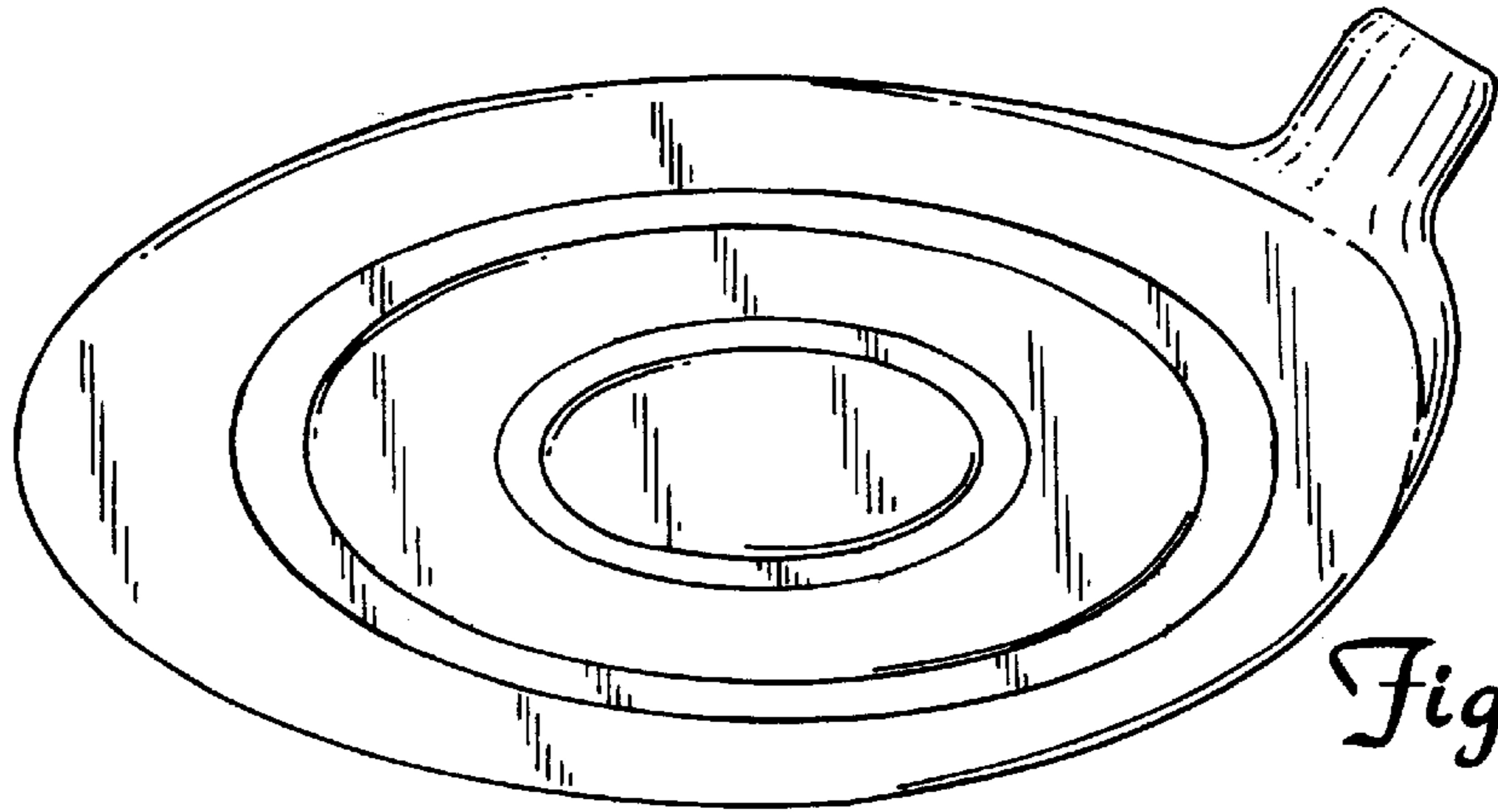


Fig. 9

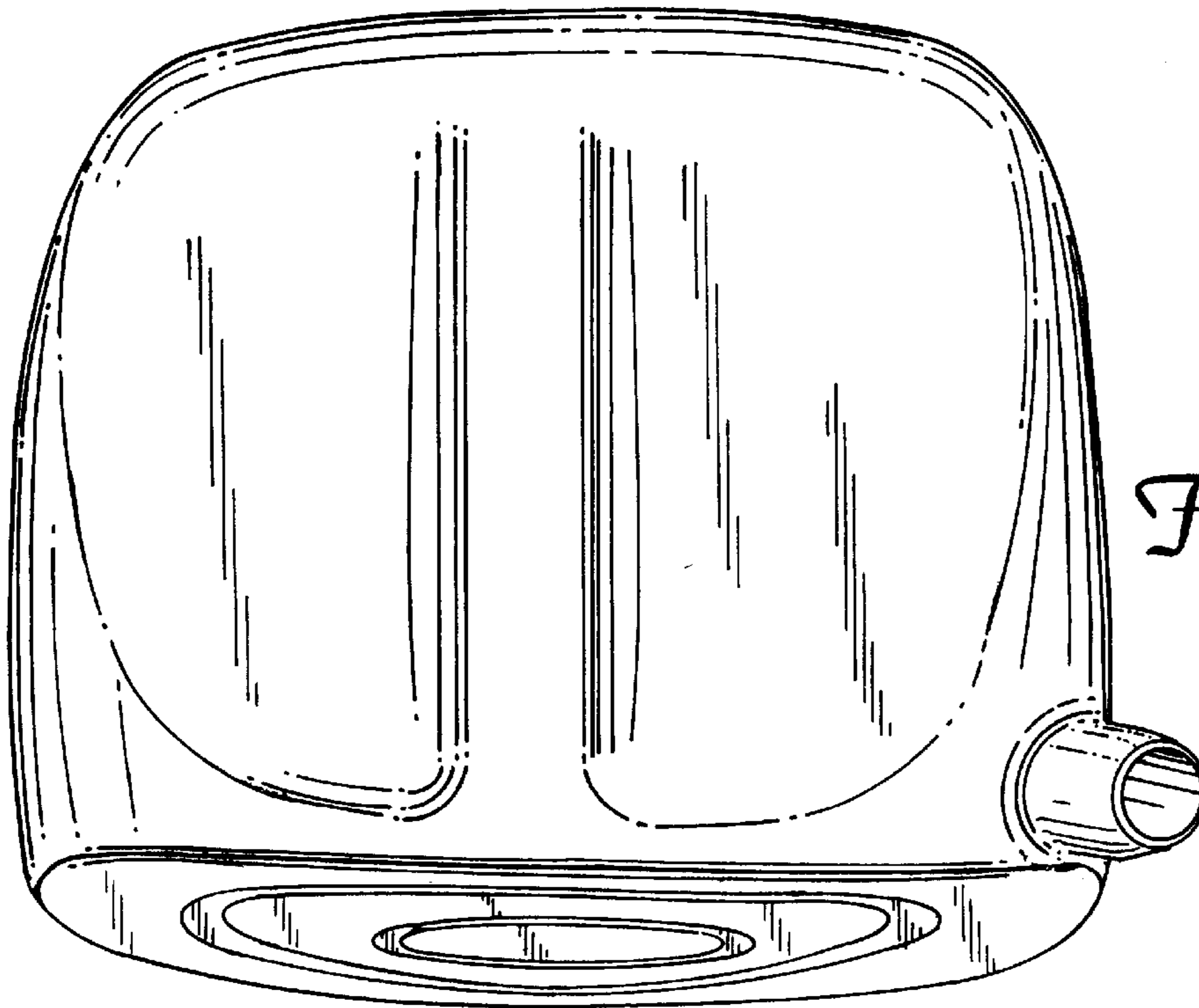


Fig. 10

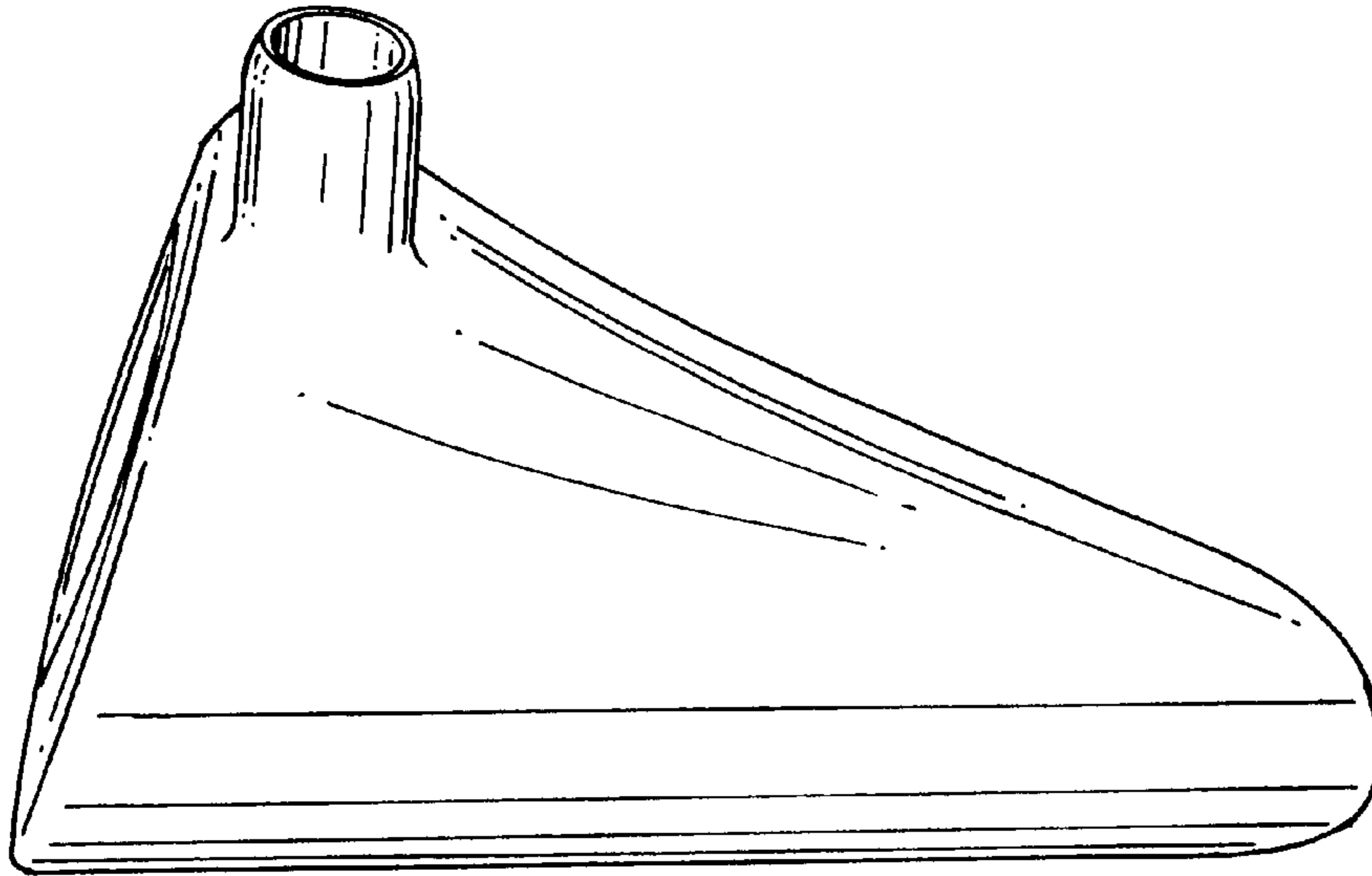


Fig. 11

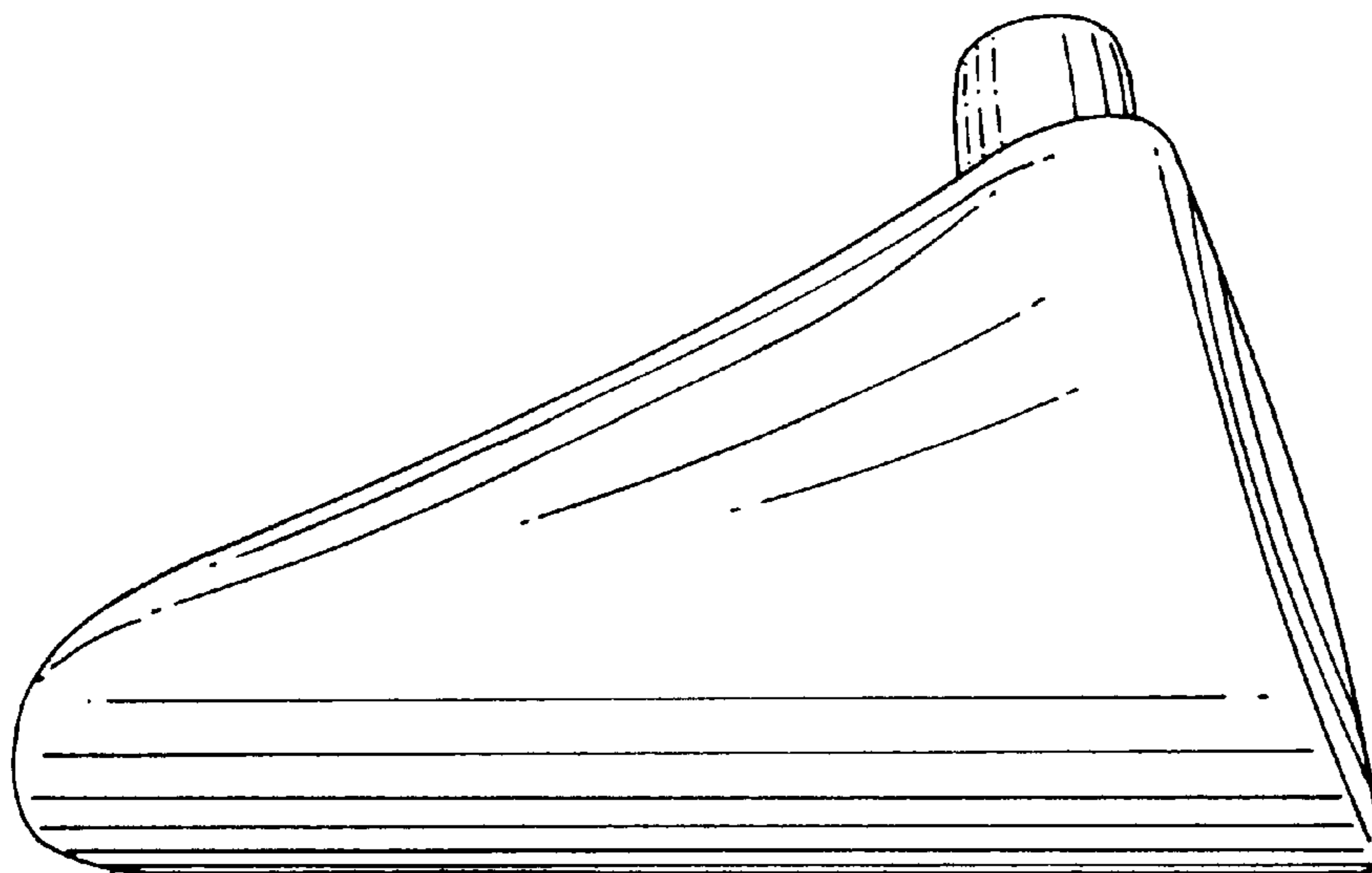


Fig. 12

UNITED STATES PATENT AND TRADEMARK OFFICE
CERTIFICATE OF CORRECTION

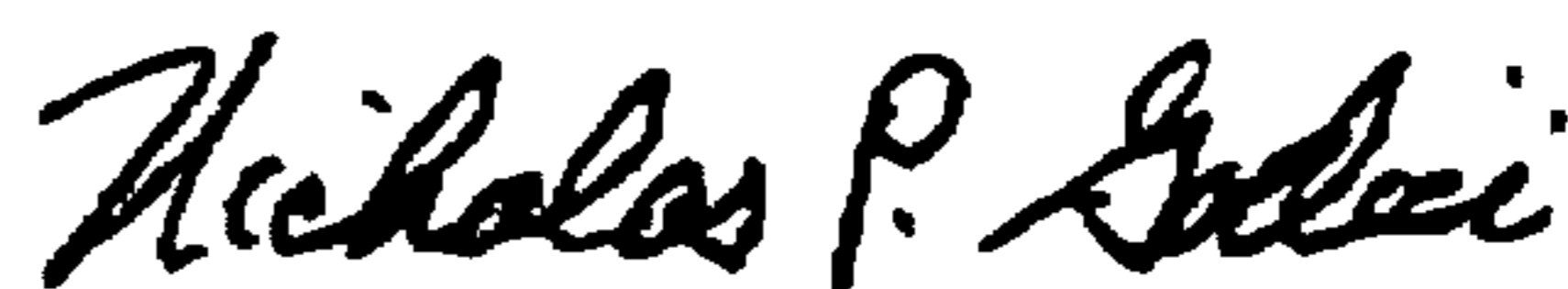
PATENT NO. : Des. 415,807
DATED : October 26, 1999
INVENTOR(S) : Frank D. Werner et al.

It is certified that error appears in the above-identified patent and that said Letters Patent is hereby corrected as shown below:

FIG. 9, before ";", insert --of FIG. 8--.
FIG. 10, before ";", insert --of FIG. 8--.
FIG. 11, before ";", insert --of FIG. 8--.
FIG. 12, line 1, after "view", insert --of FIG.
8--.
FIG. 12, line 2, replace "fron" with --from--.
FIG. 12, line 3, replace "from" with --form--.

Signed and Sealed this
Thirteenth Day of February, 2001

Attest:



NICHOLAS P. GODICI

Attesting Officer

Acting Director of the United States Patent and Trademark Office