



US00D415805S

**United States Patent** [19]  
**Wygonik**

[11] **Patent Number: Des. 415,805**

[45] **Date of Patent: \*\* Oct. 26, 1999**

[54] **BASEBALL TEE**

5,384,609 1/1995 Ogawa et al. .... D16/244 X

[76] Inventor: **James Wygonik**, 85 Yankee Peddler Path, Madison, Conn. 06443

*Primary Examiner*—Ted Shooman  
*Assistant Examiner*—Richelle Shelton

[\*\*] Term: **14 Years**

[57] **CLAIM**

[21] Appl. No.: **29/094,503**

The ornamental design for a baseball tee, as shown and described.

[22] Filed: **Oct. 5, 1998**

**DESCRIPTION**

[51] **LOC (6) Cl.** ..... **21-02**

FIG. 1 is front perspective view of the baseball tee according to the invention;

[52] **U.S. Cl.** ..... **D21/715; D16/244**

FIG. 2 is a front elevational view of the baseball tee of FIG. 1;

[58] **Field of Search** ..... D21/715, 717; D16/244; 248/519; 473/417, 422, 453

FIG. 3 is a rear elevational view of the baseball tee of FIG. 1;

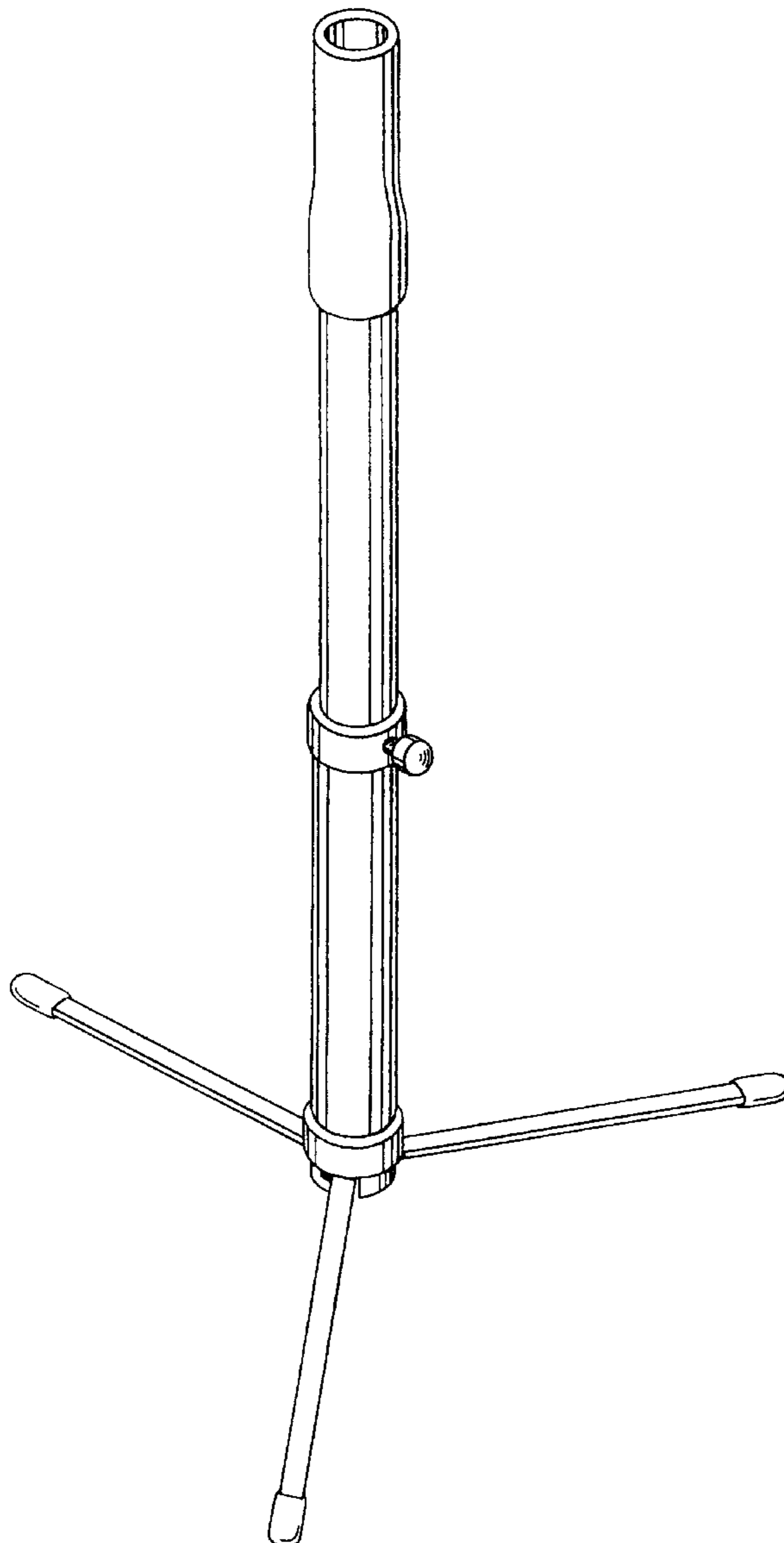
[56] **References Cited**

FIG. 4 is a top plan view of the baseball tee of FIG. 1; and, FIG. 5 is a bottom plan view of the baseball tee of FIG. 1.

**U.S. PATENT DOCUMENTS**

D. 219,713 1/1971 Thompson ..... D16/244 X  
5,100,134 3/1992 Becker ..... 473/417

**1 Claim, 3 Drawing Sheets**



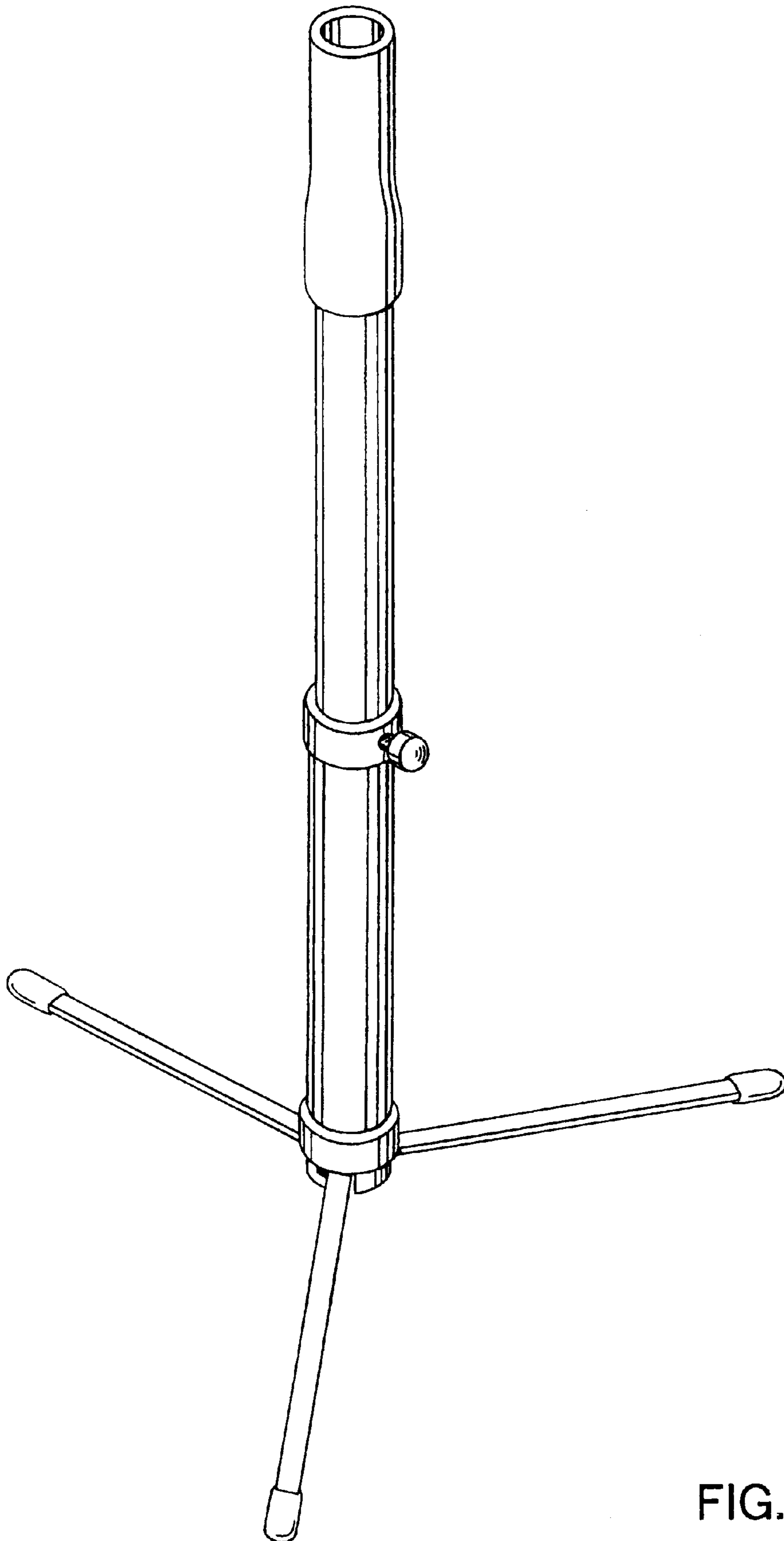


FIG. 1

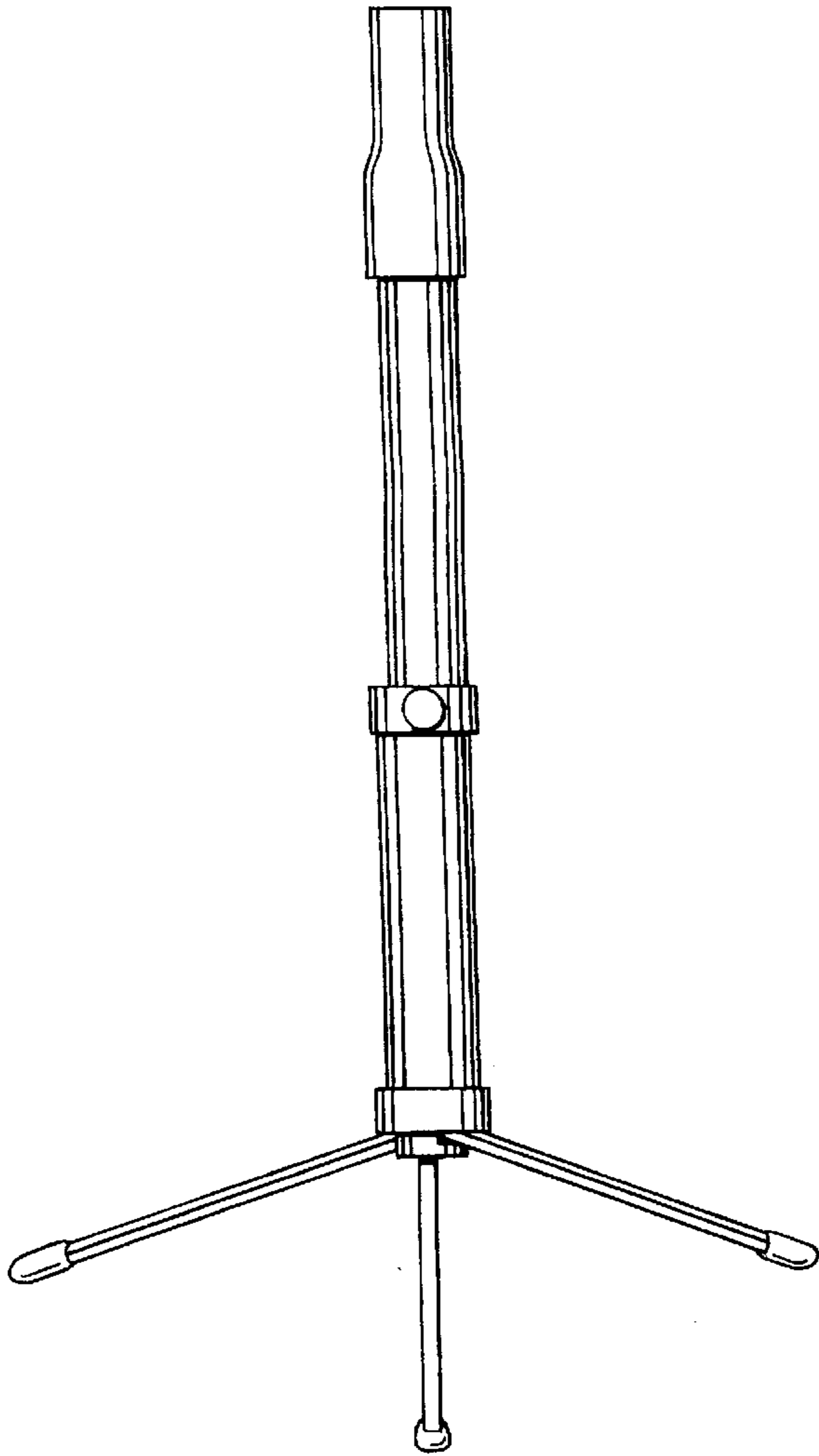


FIG. 2

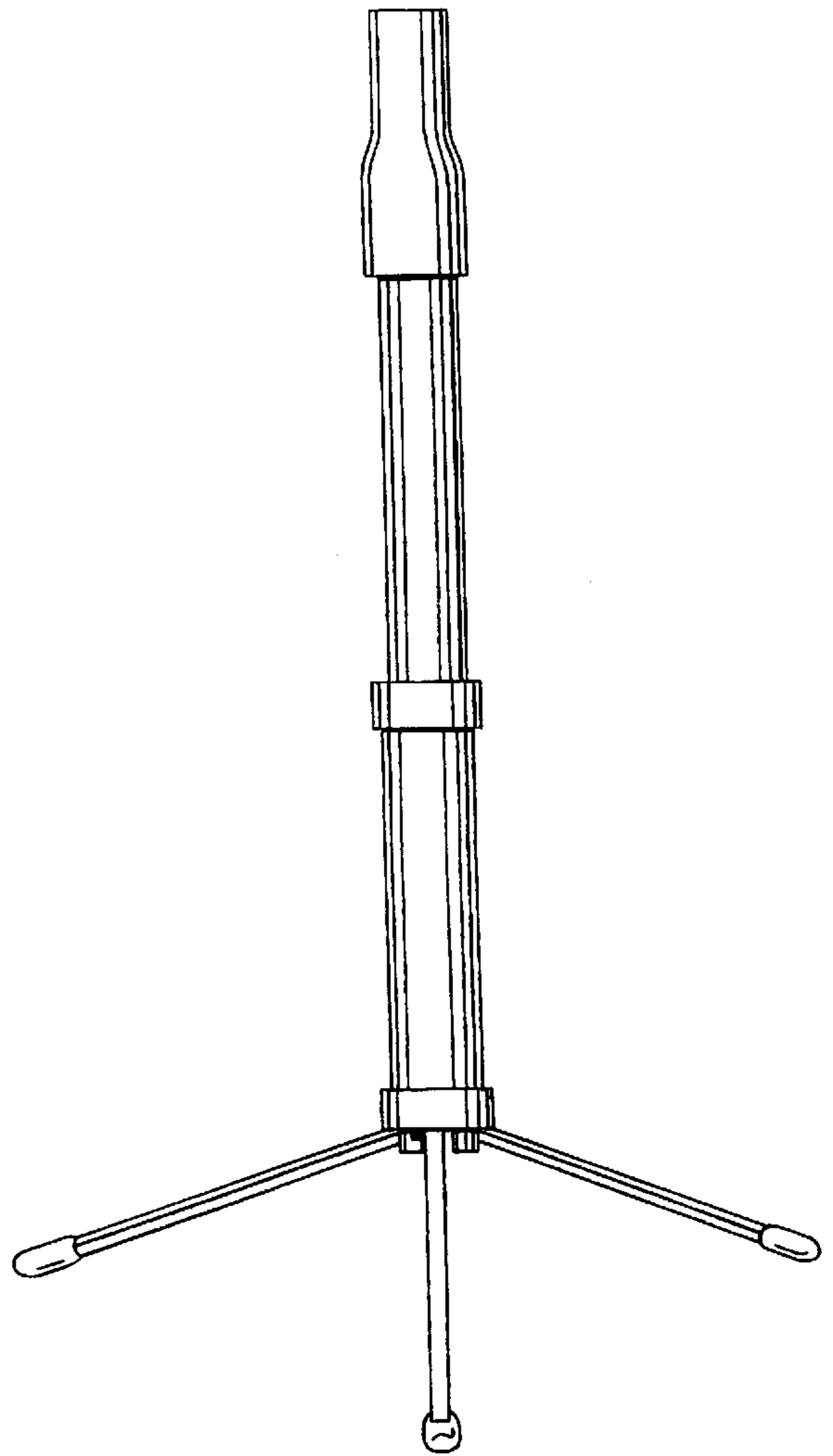


FIG. 3

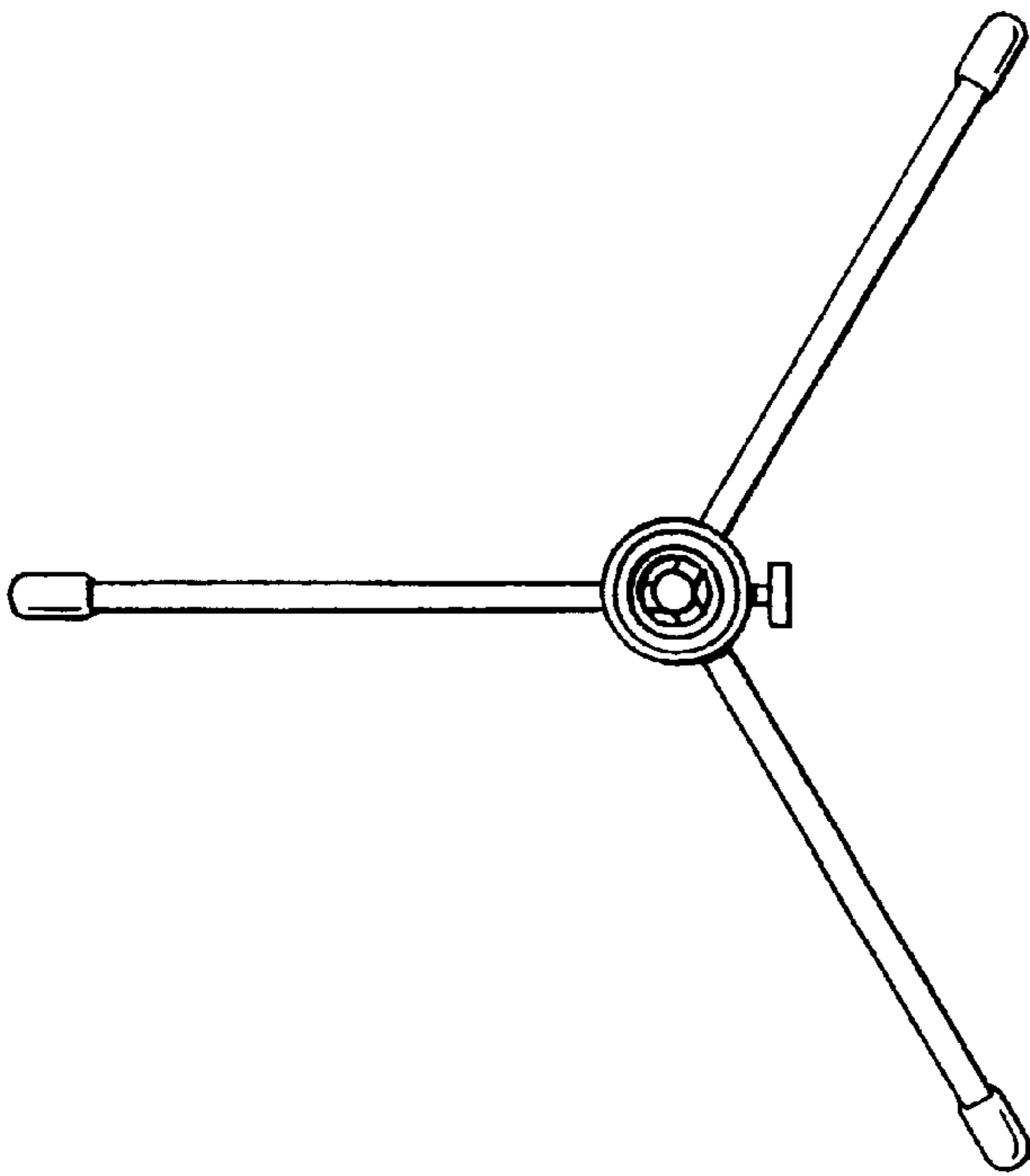


FIG. 4

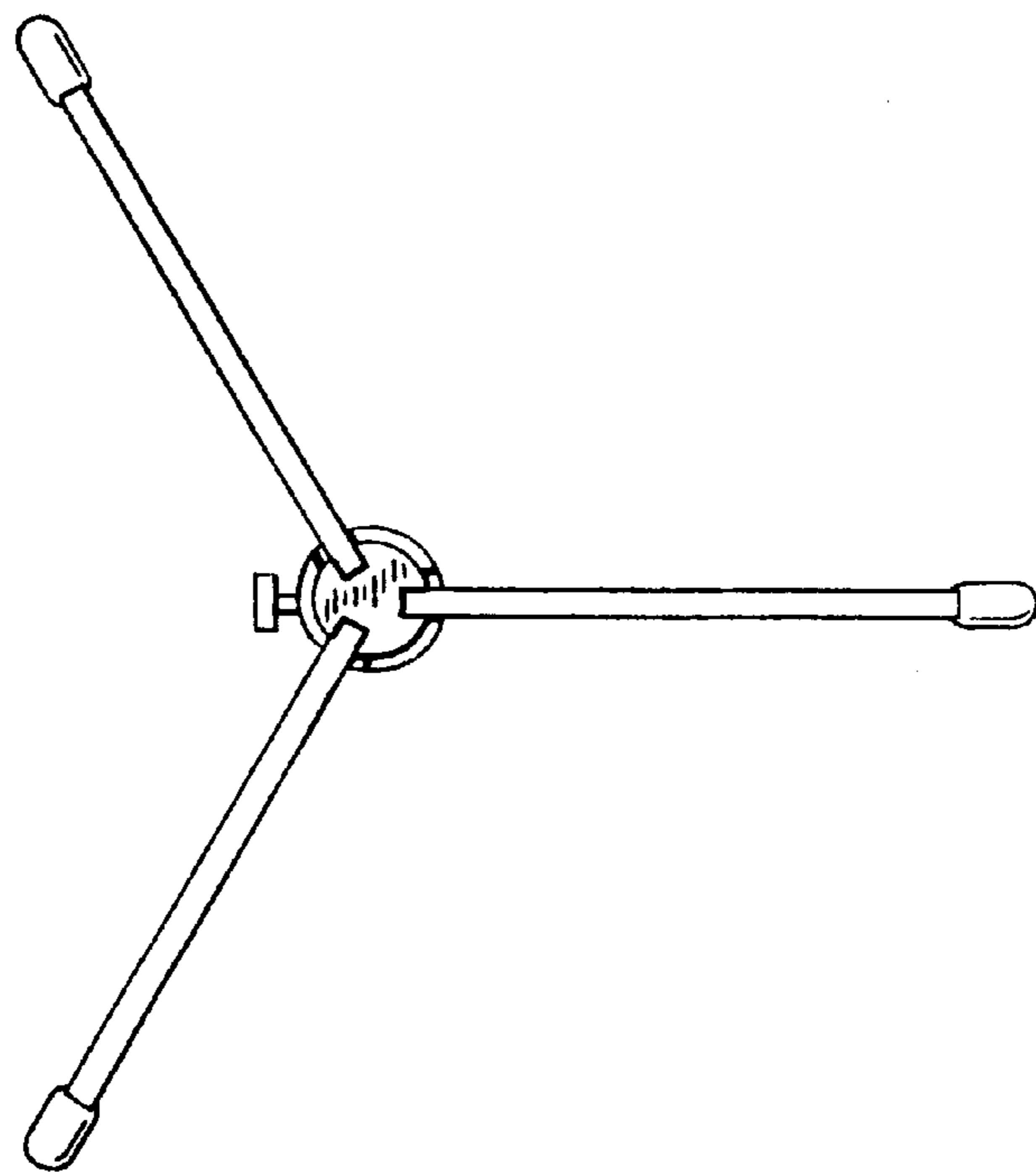


FIG. 5