



US00D415804S

**United States Patent** [19]  
**Kotler**

[11] **Patent Number: Des. 415,804**

[45] **Date of Patent: \*\* \*Oct. 26, 1999**

[54] **HOCKEY PUCK WITH POLYGON PERIMETER**

[76] Inventor: **Daniel Kotler**, 2102 E. 3300 South, Salt Lake City, Utah 84109

[\*] Notice: This patent is subject to a terminal disclaimer.

[\*\*] Term: **14 Years**

[21] Appl. No.: **29/091,008**

[22] Filed: **Jul. 21, 1998**

[51] **LOC (6) Cl.** ..... **21-02**

[52] **U.S. Cl.** ..... **D21/710**

[58] **Field of Search** ..... D21/707, 710; D7/624; D8/374, 397; 473/588

[56] **References Cited**

**U.S. PATENT DOCUMENTS**

D. 242,372	11/1976	Marcucci	.....	D21/710
D. 290,674	7/1987	Valov	.....	D7/624
D. 339,829	9/1993	Adell	.....	D7/624 X
D. 346,764	5/1994	Sellers	.....	D7/624 X

3,117,788	1/1964	Buonanno et al.	.
3,726,526	4/1973	Radovich	.
3,784,204	1/1974	Felber	..... 473/588
5,518,238	5/1996	Hu et al.	.
5,568,923	10/1996	Kahn et al.	.
5,697,858	12/1997	Lekavich	.

*Primary Examiner*—Ted Shooman  
*Assistant Examiner*—Richelle Shelton  
*Attorney, Agent, or Firm*—Thorpe, North & Western

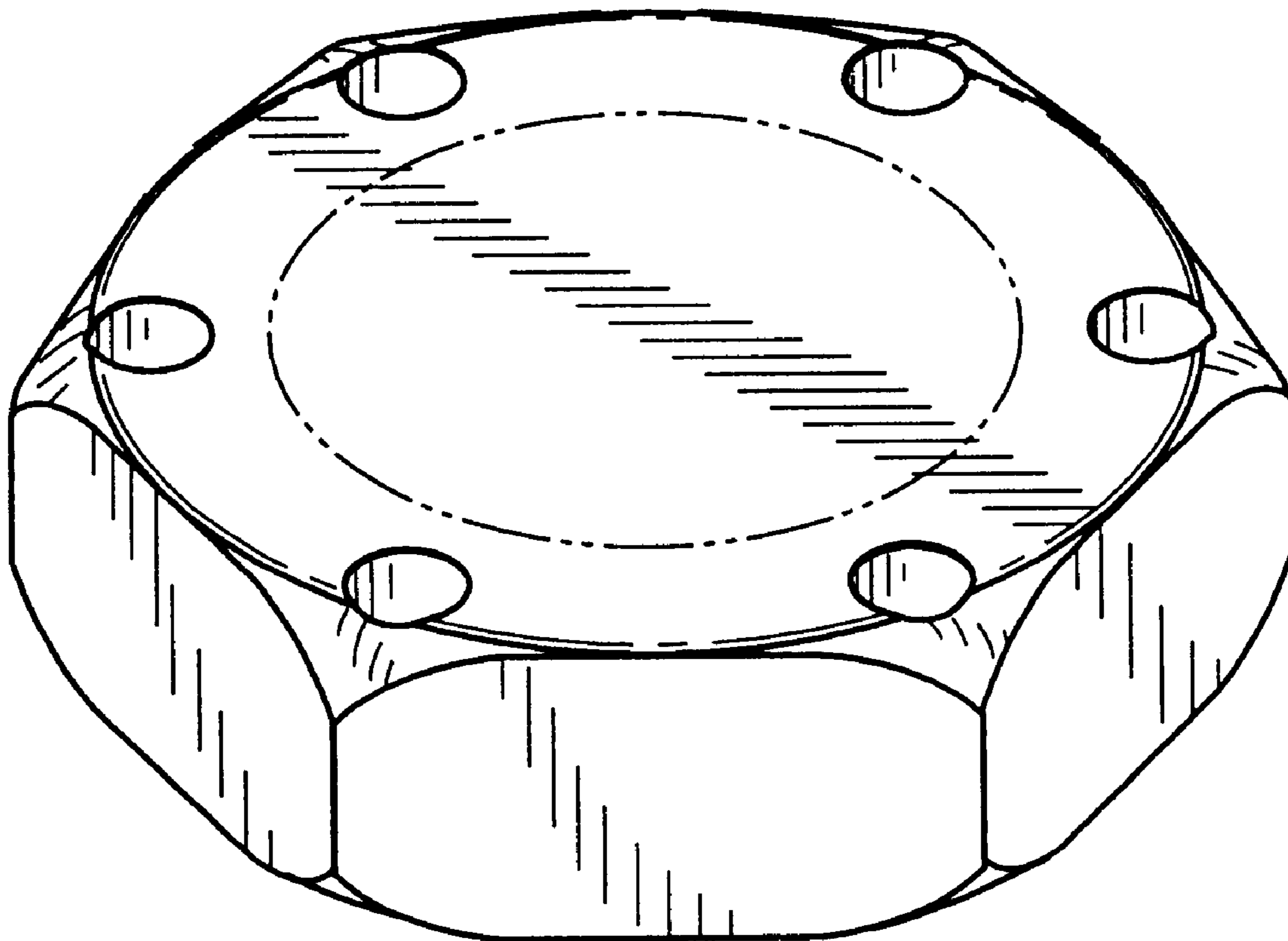
[57] **CLAIM**

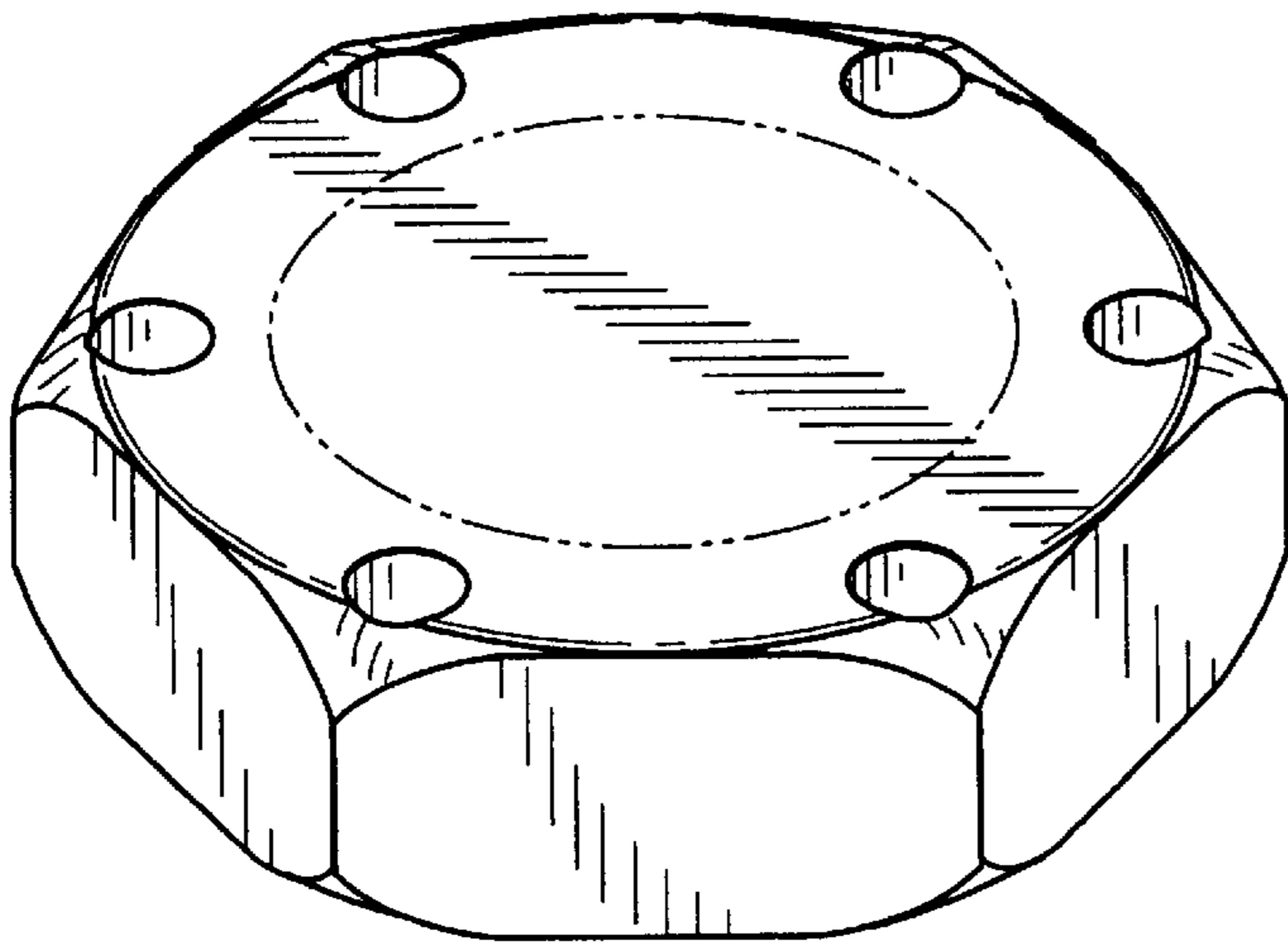
The ornamental design for a hockey puck with polygon perimeter, as shown and described.

**DESCRIPTION**

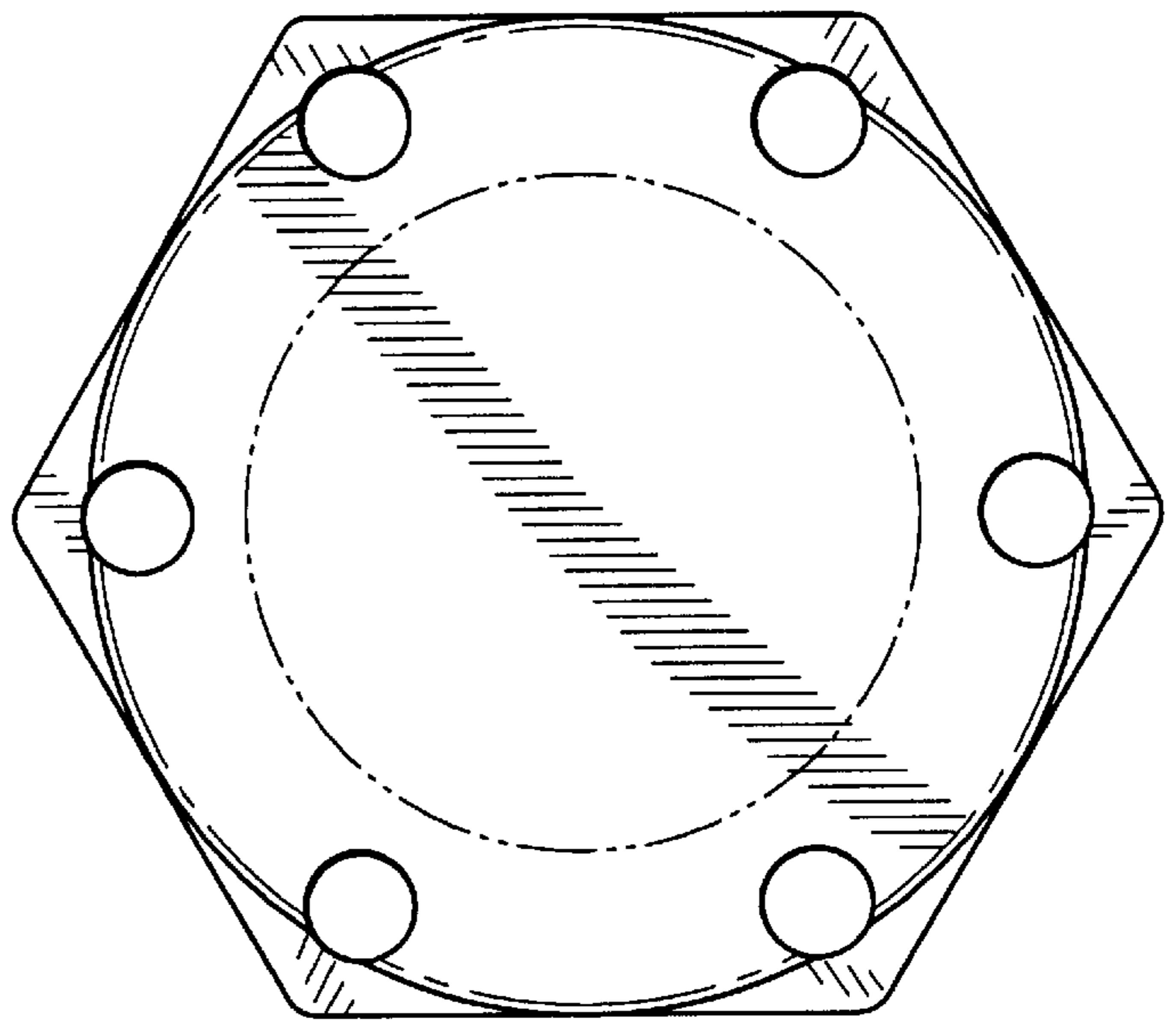
FIG. 1 is a perspective view of a hockey puck with polygon perimeter showing my new design; FIG. 2 is a top view; bottom view being a mirror image thereof; and, FIG. 3 is a side view thereof, the opposite side view being a mirror image. The broken line disclosure in FIGS. 1 and 2 is for illustrative purposes only and forms no part of the claimed design.

**1 Claim, 1 Drawing Sheet**

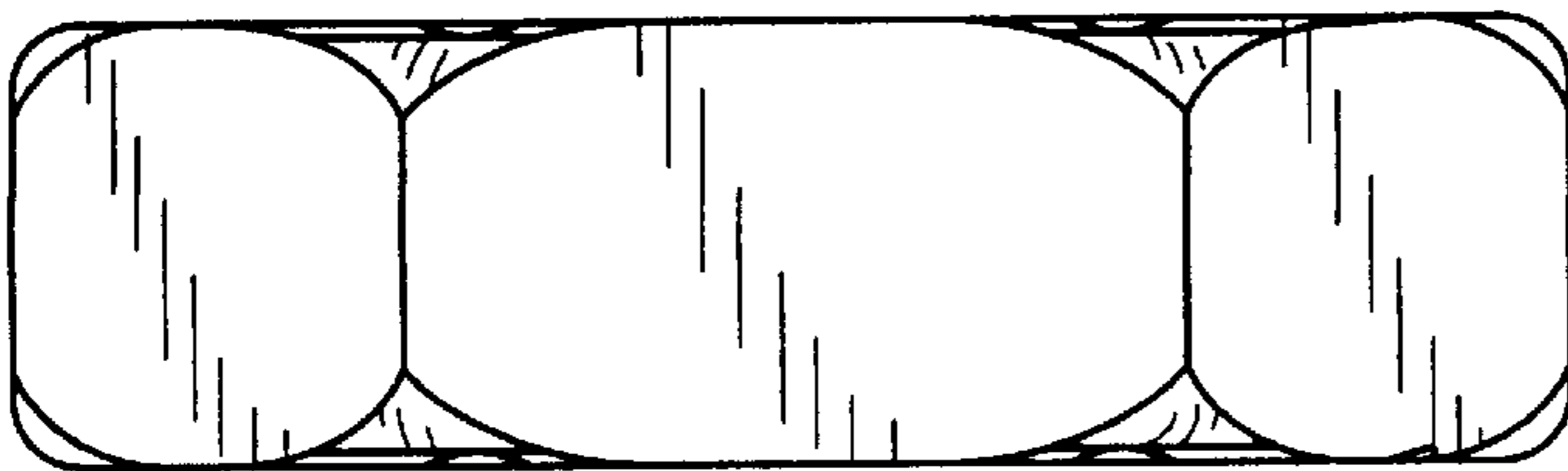




**Fig. 1**



**Fig. 2**



**Fig. 3**