



US00D415799S

# United States Patent [19]

Beyer

[11] Patent Number: Des. 415,799

[45] Date of Patent: \*\* Oct. 26, 1999

[54] **FRONT CONTROL PANEL FOR A COUNTERTOP VIDEO AMUSEMENT DEVICE**

[75] Inventor: **Anthony V. Beyer**, Downers Grove, Ill.

[73] Assignee: **De Amertek Corporation, Inc.**, Oakbrook, Ill.

[\*\*] Term: **14 Years**

[21] Appl. No.: **29/085,482**

[22] Filed: **Mar. 24, 1998**

[51] **LOC (6) Cl.** ..... **21-01**

[52] **U.S. Cl.** ..... **D21/333; D14/114**

[58] **Field of Search** ..... D14/117.1, 117.2, D14/117.6, 117.5, 125, 113, 114, 115, 217, 218, 257, 299; D21/324-333; 463/2, 29-35, 38, 46, 47; 273/148 B; 455/352-355, 899, 151.1, 160.1, 154.1; 348/734

[56] **References Cited**

**U.S. PATENT DOCUMENTS**

D. 164,334	8/1951	Spooner .	
D. 313,230	12/1990	Isaacs .....	D14/125
D. 331,054	11/1992	Brahler .....	D14/124
D. 331,060	11/1992	Emmons et al. ....	D14/218
D. 372,478	8/1996	Ricotta et al. ....	D14/217
D. 386,763	11/1997	Starck .....	D14/218
3,044,016	7/1962	Frihart et al. ....	455/253
5,091,832	2/1992	Tortola et al. ....	273/148 B X
5,243,430	9/1993	Emmons .....	455/151.1 X
5,317,505	5/1994	Karabed et al. ....	273/148 B X
5,491,497	2/1996	Suzuki .....	463/38 X
5,624,117	4/1997	Ohkobo et al. ....	273/148 B
5,785,317	7/1998	Sasaki .....	273/148 B

**OTHER PUBLICATIONS**

Advertisement of Micro Manufacturing, Inc. for countertop unit Global Touched HD—date unknown.  
Lazer-Tron advertisement for stand alone unit “The Prize Zone!”—date unknown.

CES Creative Electronics and Software Inc. advertisement for a cocktail cabinet multigame video system—1997.

National electronic Technologies advertisement for “Video Net” online unit—1997.

Incredible Technologies, Inc. advertisement for “Golden Tee Golf” and three different types of video game units—date unknown.

Midway Games Inc. advertisement for “Touch Master 3000”—date unknown.

A four page flyer from Merit Industries, Inc. on several units entitled “Megatouch XL”—date unknown.

*Primary Examiner*—Prabhakar Deshmukh  
*Attorney, Agent, or Firm*—Lee, Mann, Smith, McWilliams, Sweeney & Ohlson

[57] **CLAIM**

The ornamental design for a front control panel for a countertop video amusement device, as shown and described.

**DESCRIPTION**

FIG. 1 is a perspective view of a front control panel for a countertop video amusement device showing my new design;

FIG. 2 is a side elevational view of the control panel.

FIG. 3 is a side elevational view of the control panel taken 180° from the view in FIG. 2.

FIG. 4 is a top plan view of the control panel.

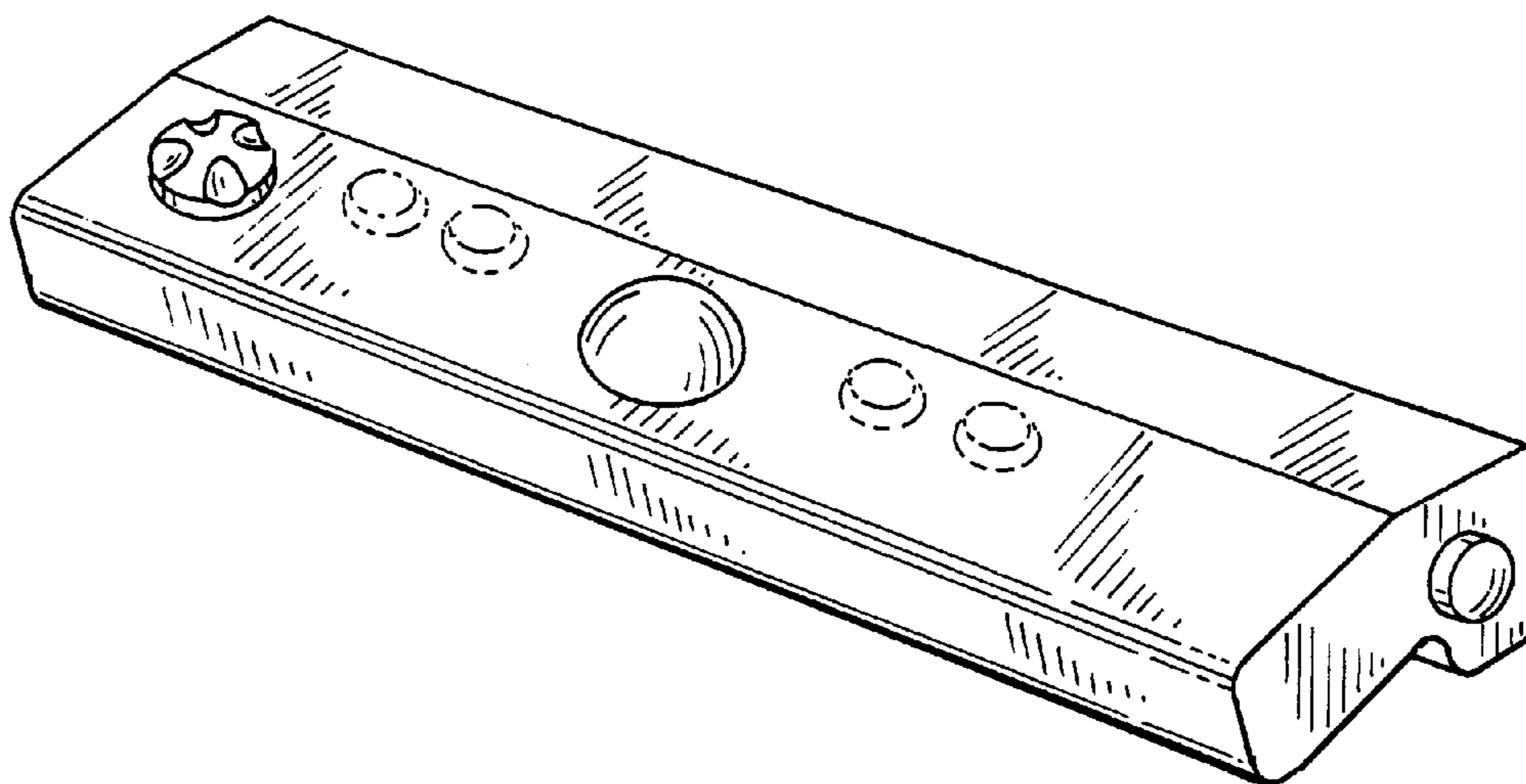
FIG. 5 is a front elevational view of the control panel.

FIG. 6 is a bottom plan view of the control panel; and,

FIG. 7 is a rear elevational view of the control panel showing it to be plain and unornamented.

The broken line showing of electronic buttons is for illustrative purpose only and forms no part of the claimed design.

**1 Claim, 1 Drawing Sheet**



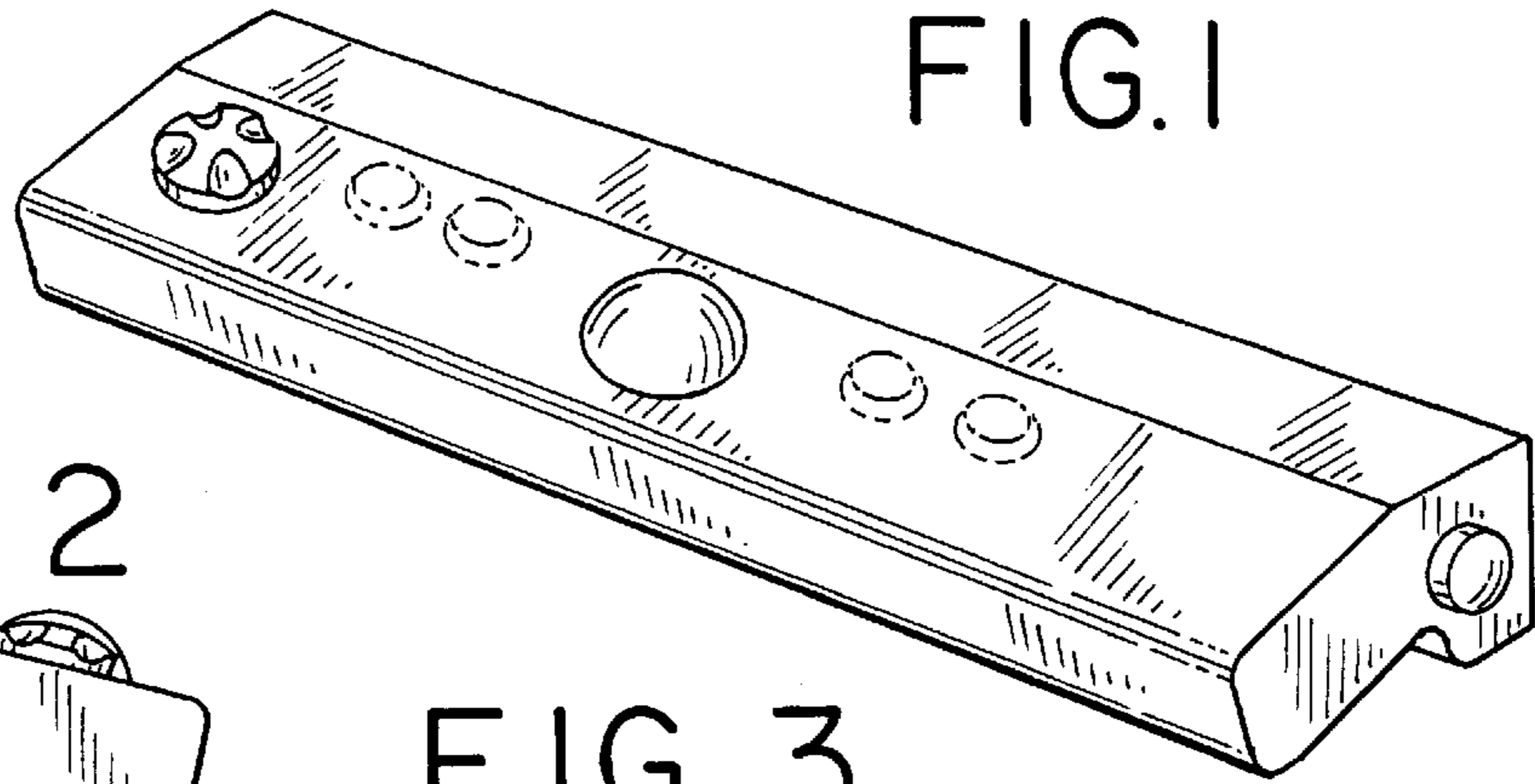


FIG. 1

FIG. 2

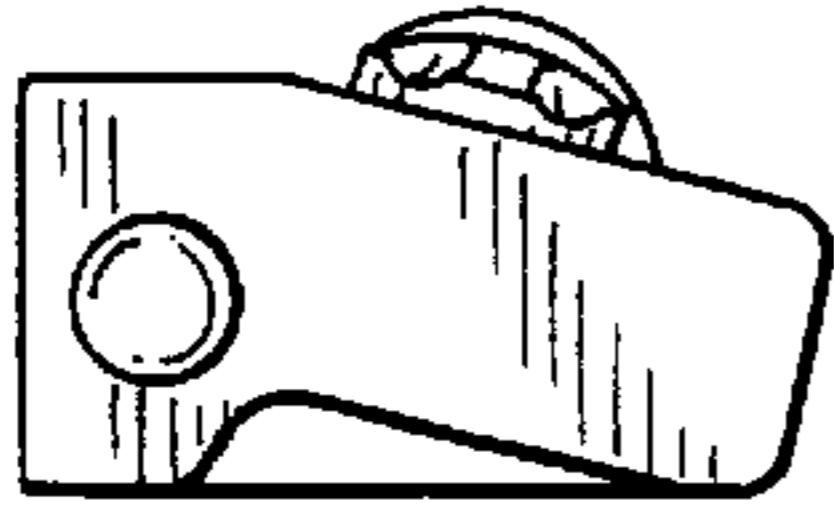


FIG. 3

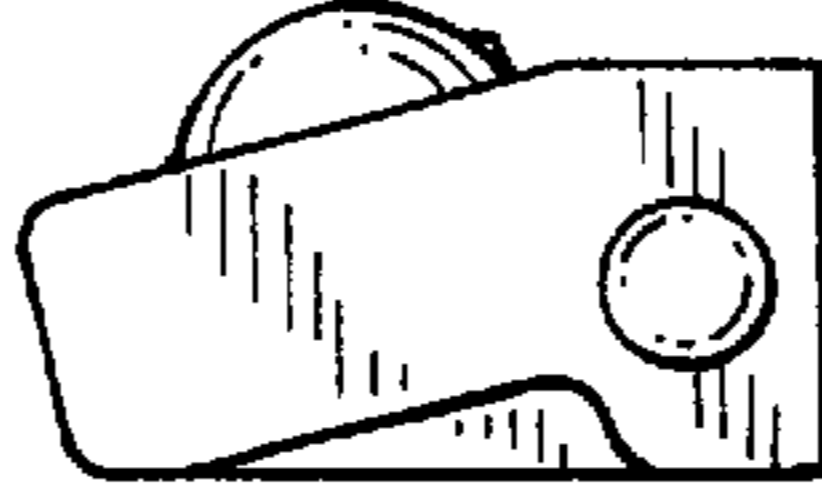


FIG. 4

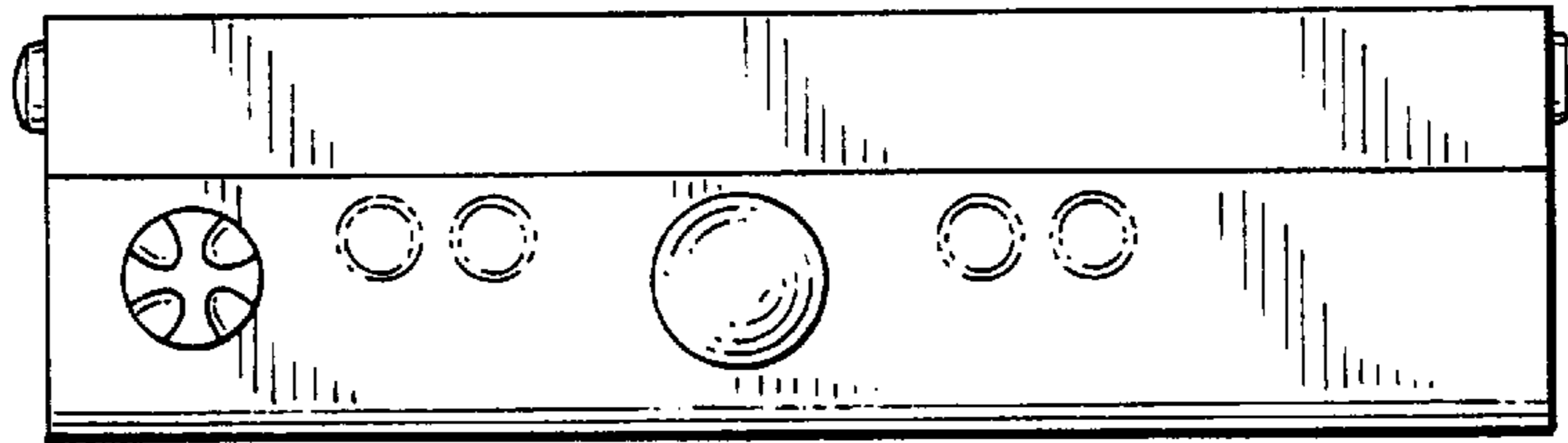


FIG. 5

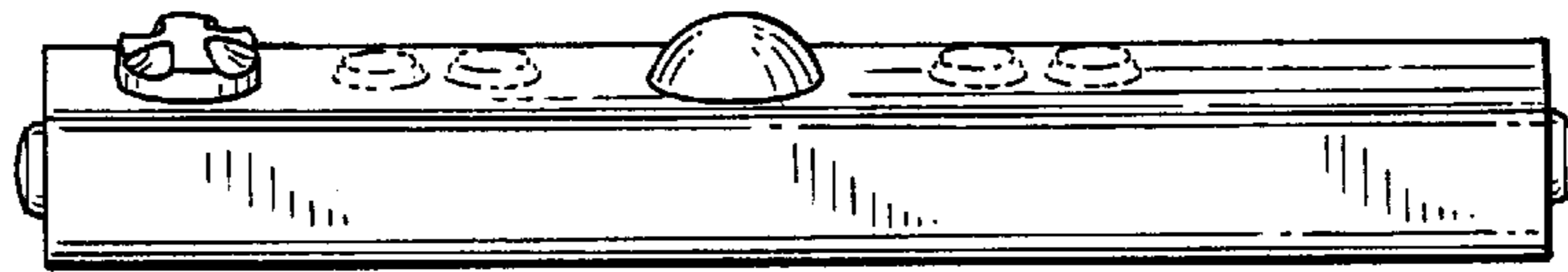


FIG. 6

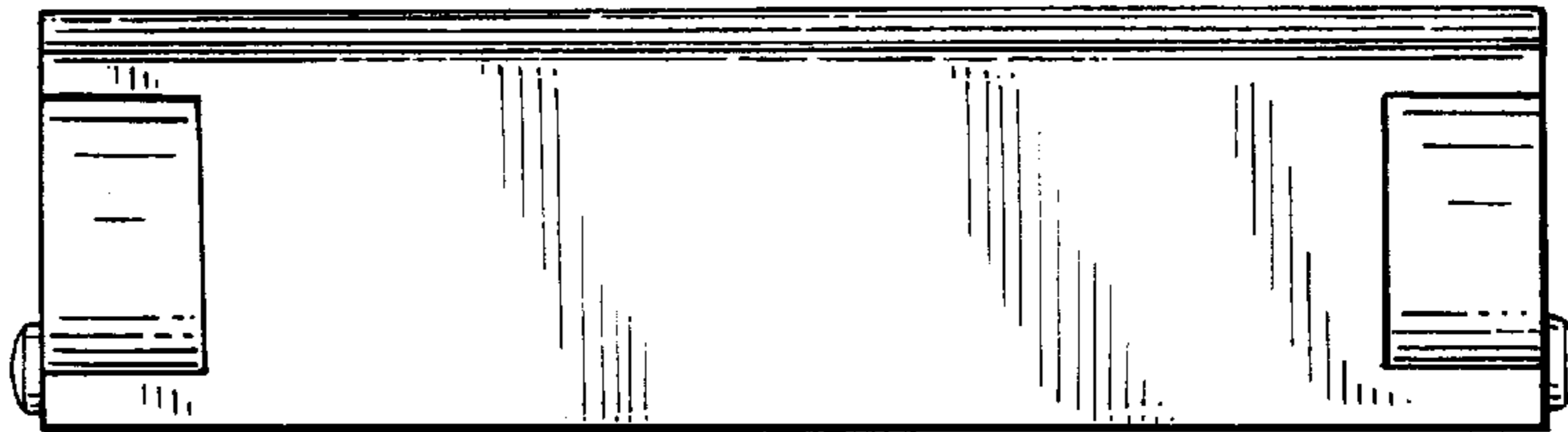


FIG. 7

