



US00D415791S

United States Patent [19] Okamura

[11] Patent Number: **Des. 415,791**

[45] Date of Patent: **** Oct. 26, 1999**

[54] **PRINTER STAND**

[75] Inventor: **Mike H. Okamura**, Boise, Id.

[73] Assignee: **Hewlett-Packard Company**, Palo Alto, Calif.

[**] Term: **14 Years**

[21] Appl. No.: **29/080,860**

[22] Filed: **Dec. 16, 1997**

[51] **LOC (6) Cl.** **18-02**

[52] **U.S. Cl.** **D18/59**

[58] **Field of Search** D18/59, 45; D6/396, D6/425, 428, 449; 312/223.1-223.3, 249.8, 349; 284/676, 176.1, 158, 187.1, 637; 211/13.1, 151; 400/691

[56] **References Cited**

U.S. PATENT DOCUMENTS

| | | | | |
|------------|---------|---------------|-------|---------|
| D. 241,490 | 9/1976 | Karlin | | D6/428 |
| D. 311,291 | 10/1990 | Ugalde | | D6/425 |
| D. 311,754 | 10/1990 | Hassel et al. | | D18/159 |
| D. 387,218 | 12/1997 | Miller et al. | | D6/425 |
| 4,568,212 | 2/1986 | Cooke et al. | | 400/691 |

| | | | | |
|-----------|---------|-------------|-------|-----------|
| 4,763,965 | 8/1988 | Reppel | | 312/223.3 |
| 5,080,236 | 1/1992 | Conner | | 211/151 |
| 5,580,137 | 12/1996 | Doan et al. | | 312/249.8 |
| 5,660,451 | 8/1997 | Glynn | | 312/223.2 |
| 5,775,667 | 7/1998 | Tassic | | 248/676 |

Primary Examiner—Louis S. Zarfes

Assistant Examiner—G. Andoll

[57] **CLAIM**

The ornamental design for a printer stand, as shown.

DESCRIPTION

FIG. 1 is a front isometric view of a printer stand showing my new design;

FIG. 2 is a front isometric view thereof;

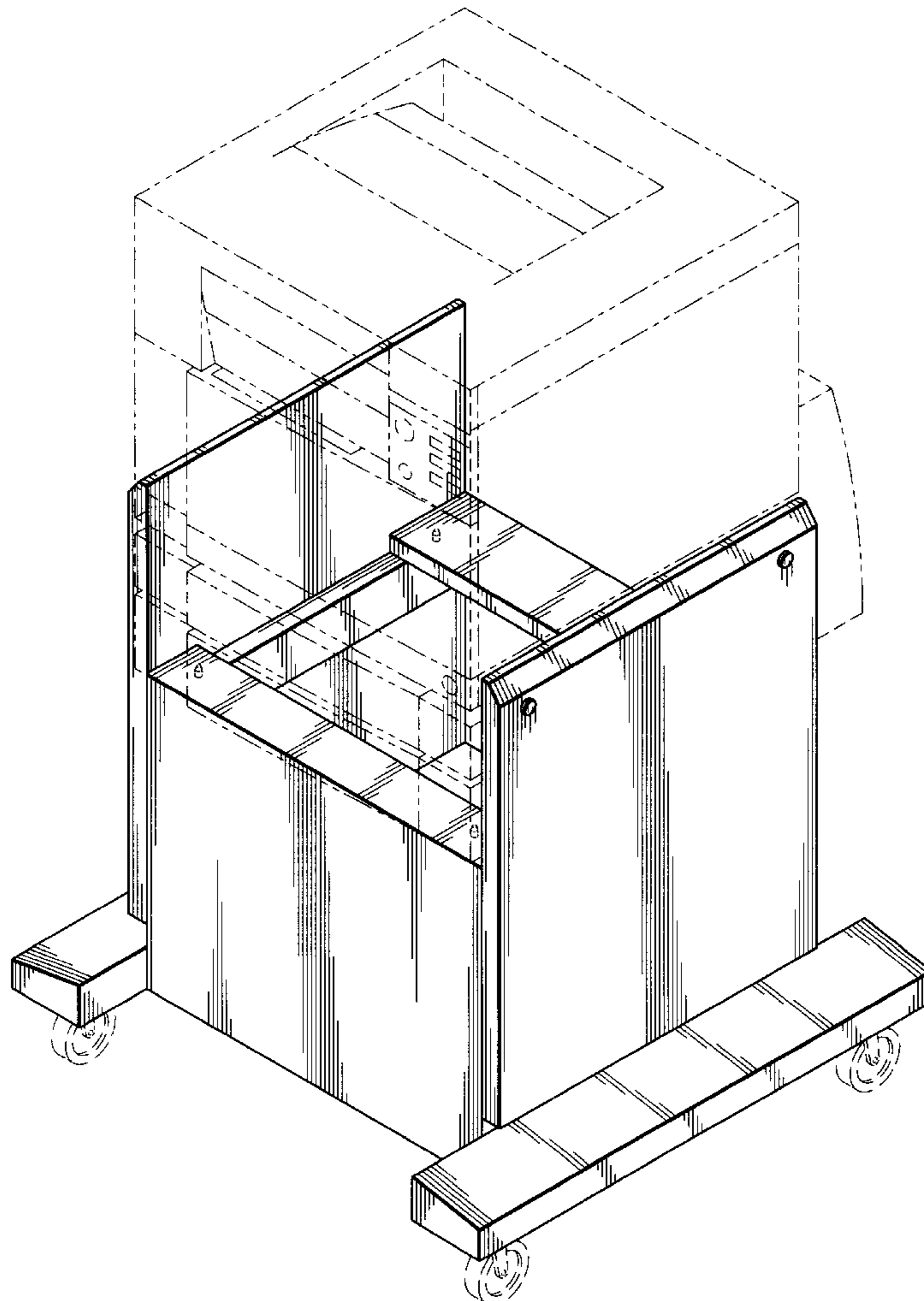
FIG. 3 is a front elevational view thereof;

FIG. 4 is a top side elevational view thereof; and,

FIG. 5 is a right side elevational view, the left side elevational view being a mirror image.

The broken lines in the FIGURES are for illustrative purposes only and form no part of the claimed design. The bottom and rear of the printer stand form no part of the claimed design.

1 Claim, 5 Drawing Sheets



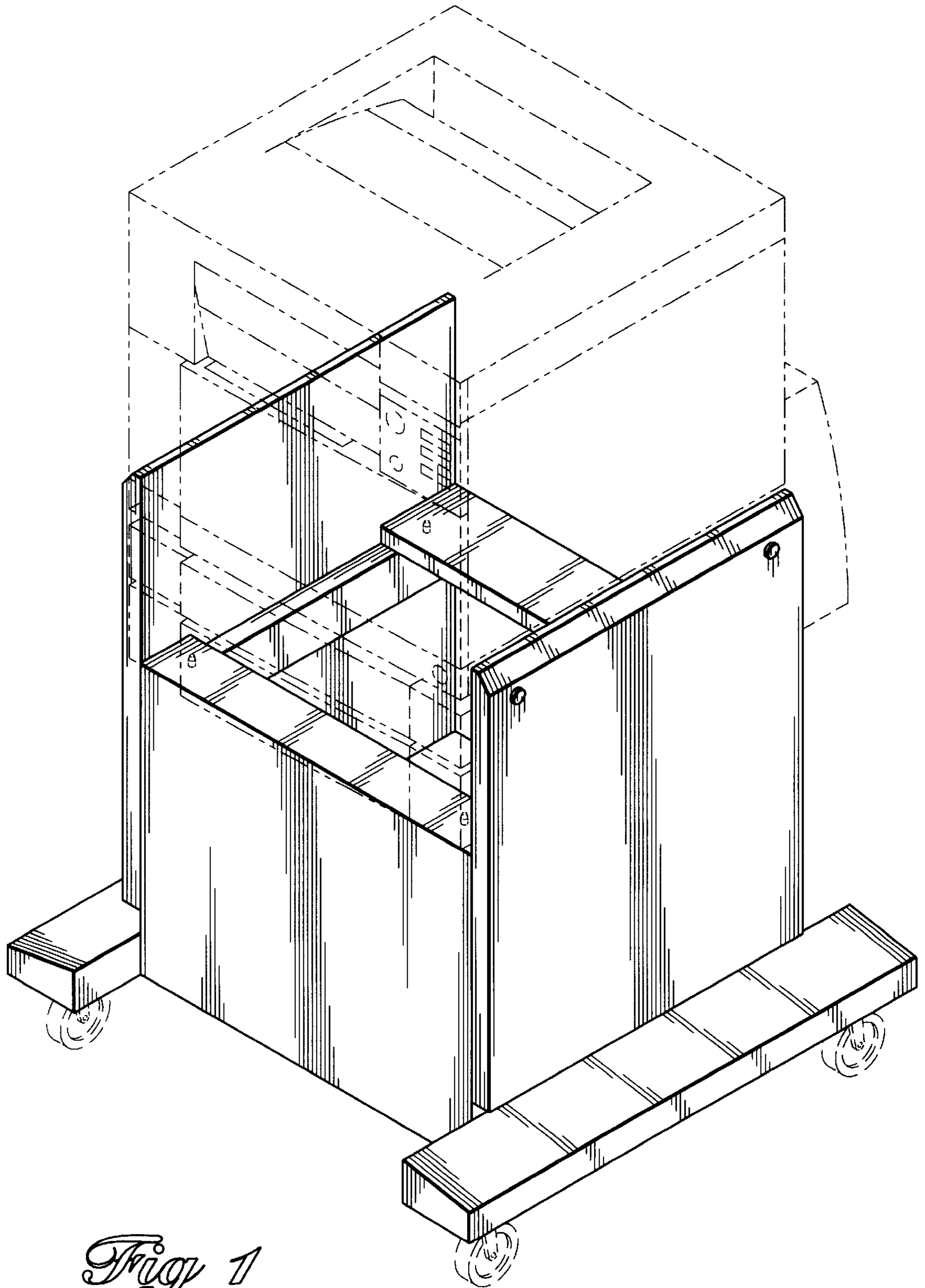


Fig 1

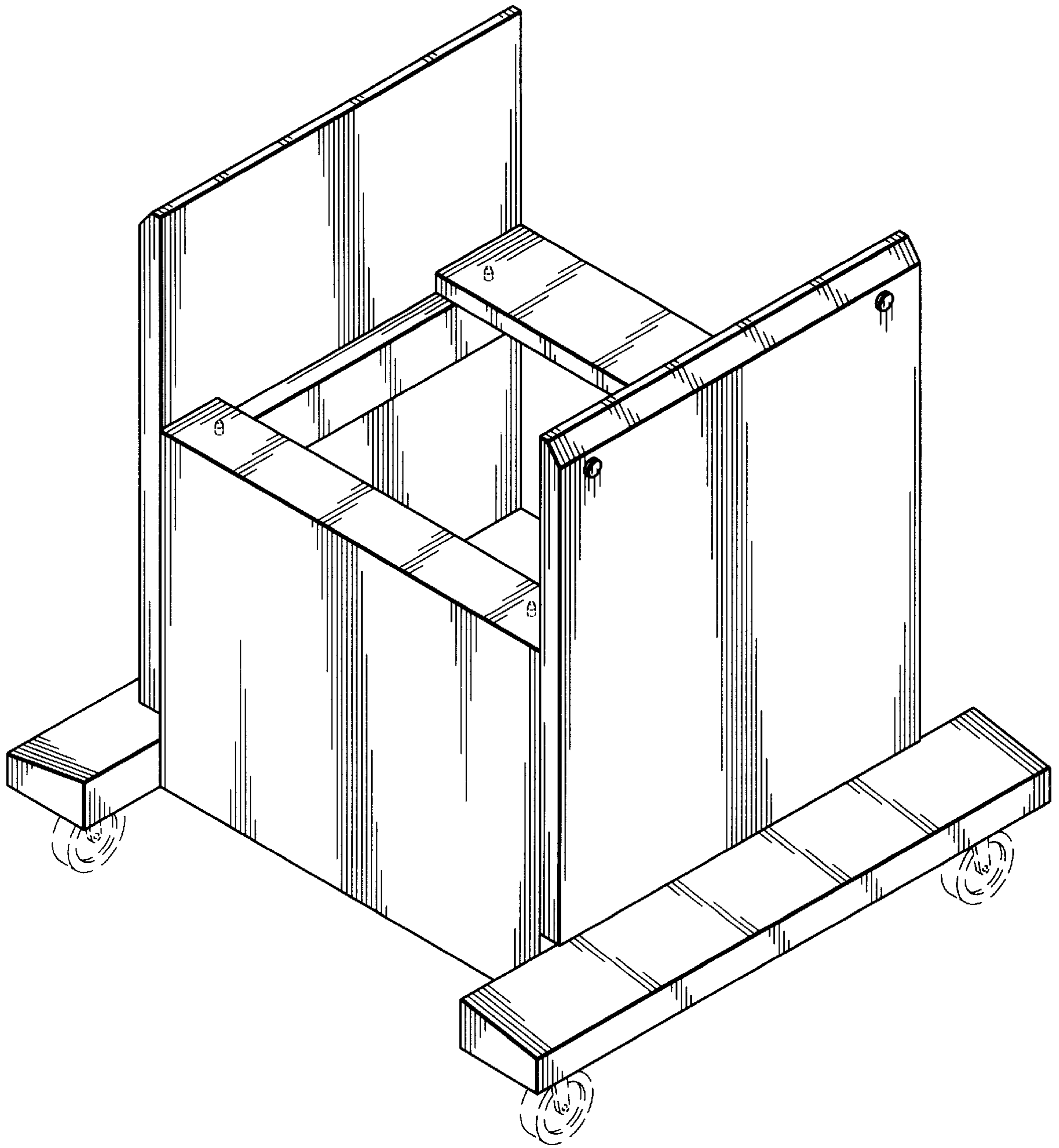


Fig 2

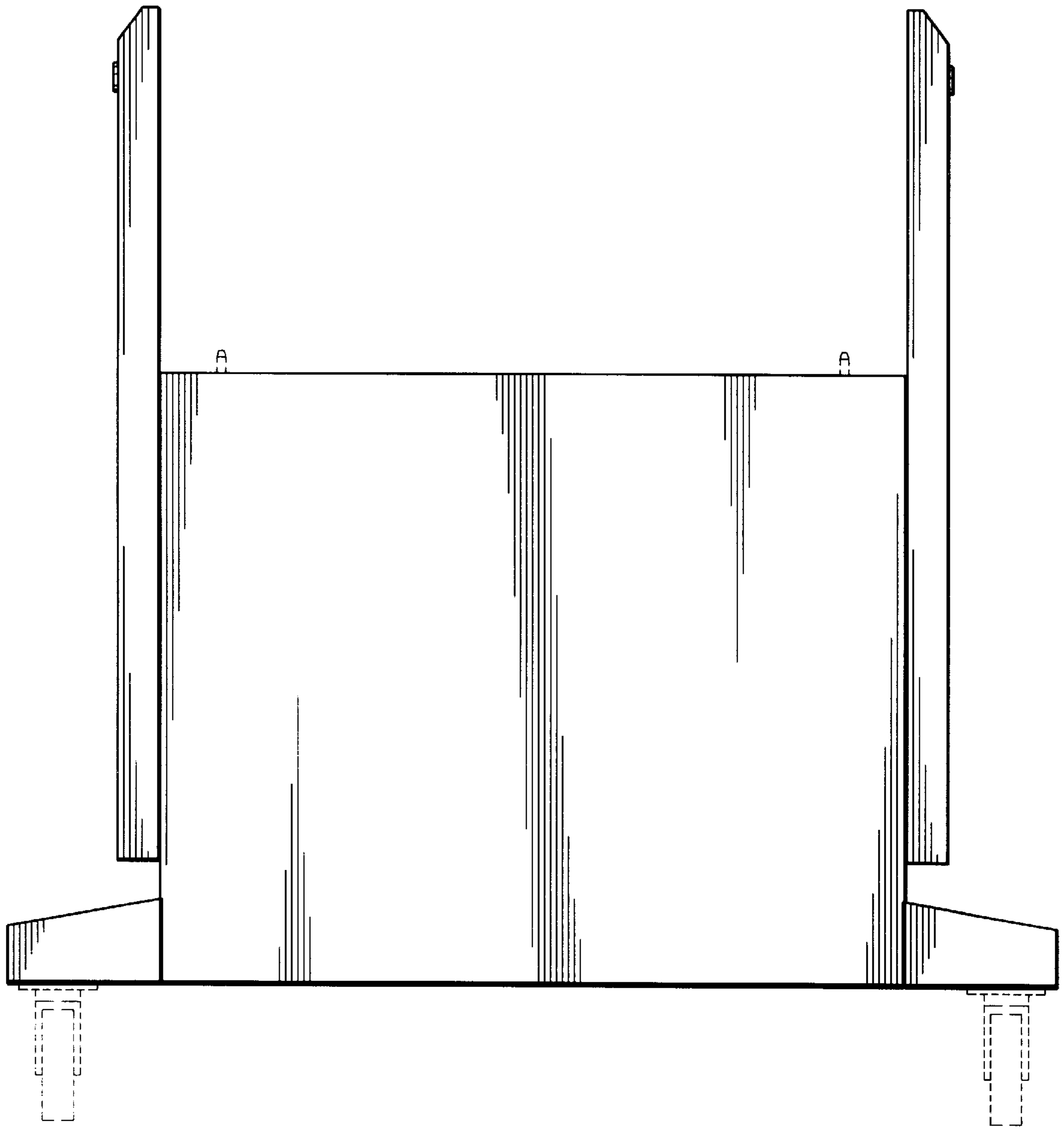


Fig. 3

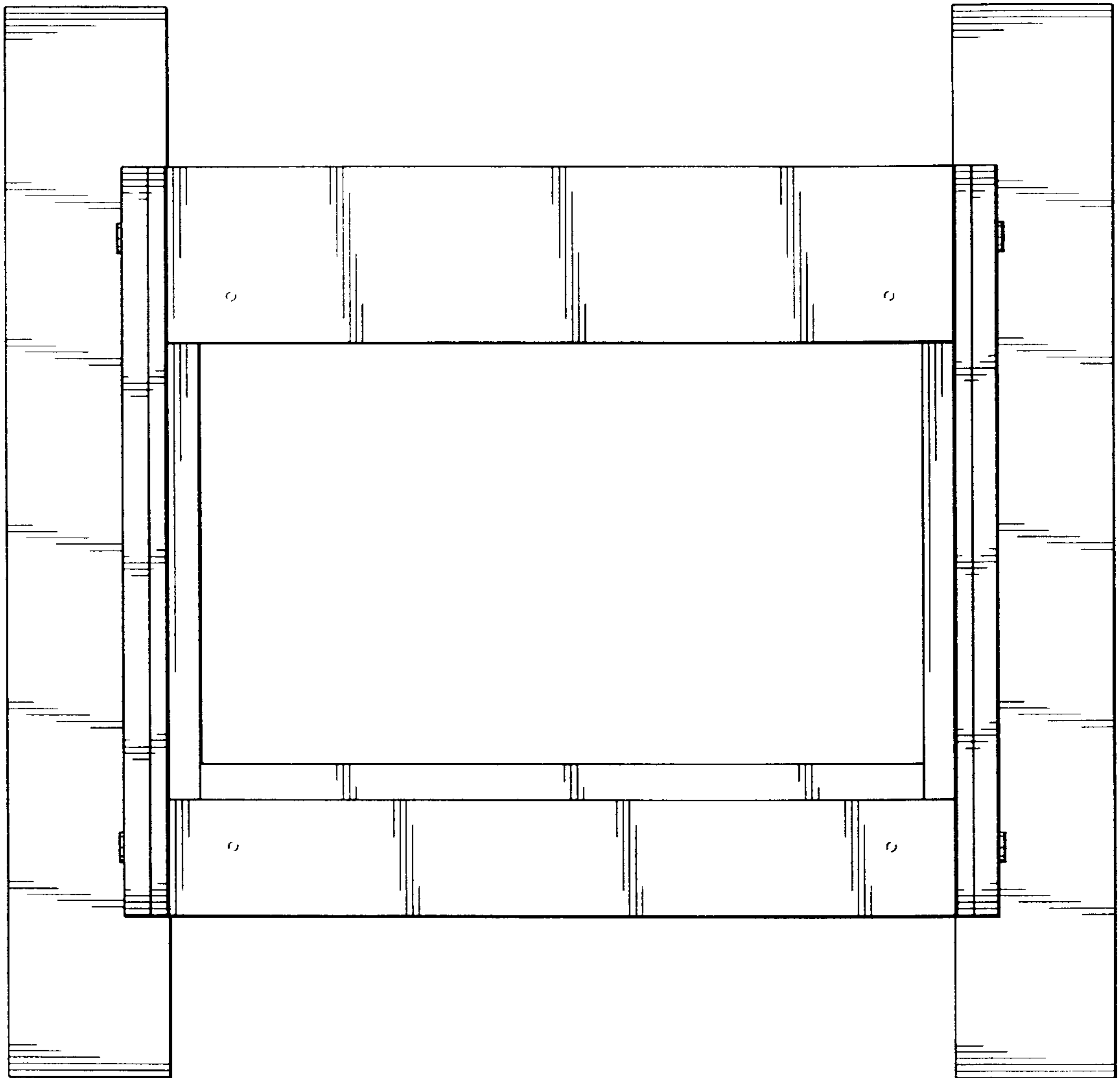


Fig 4

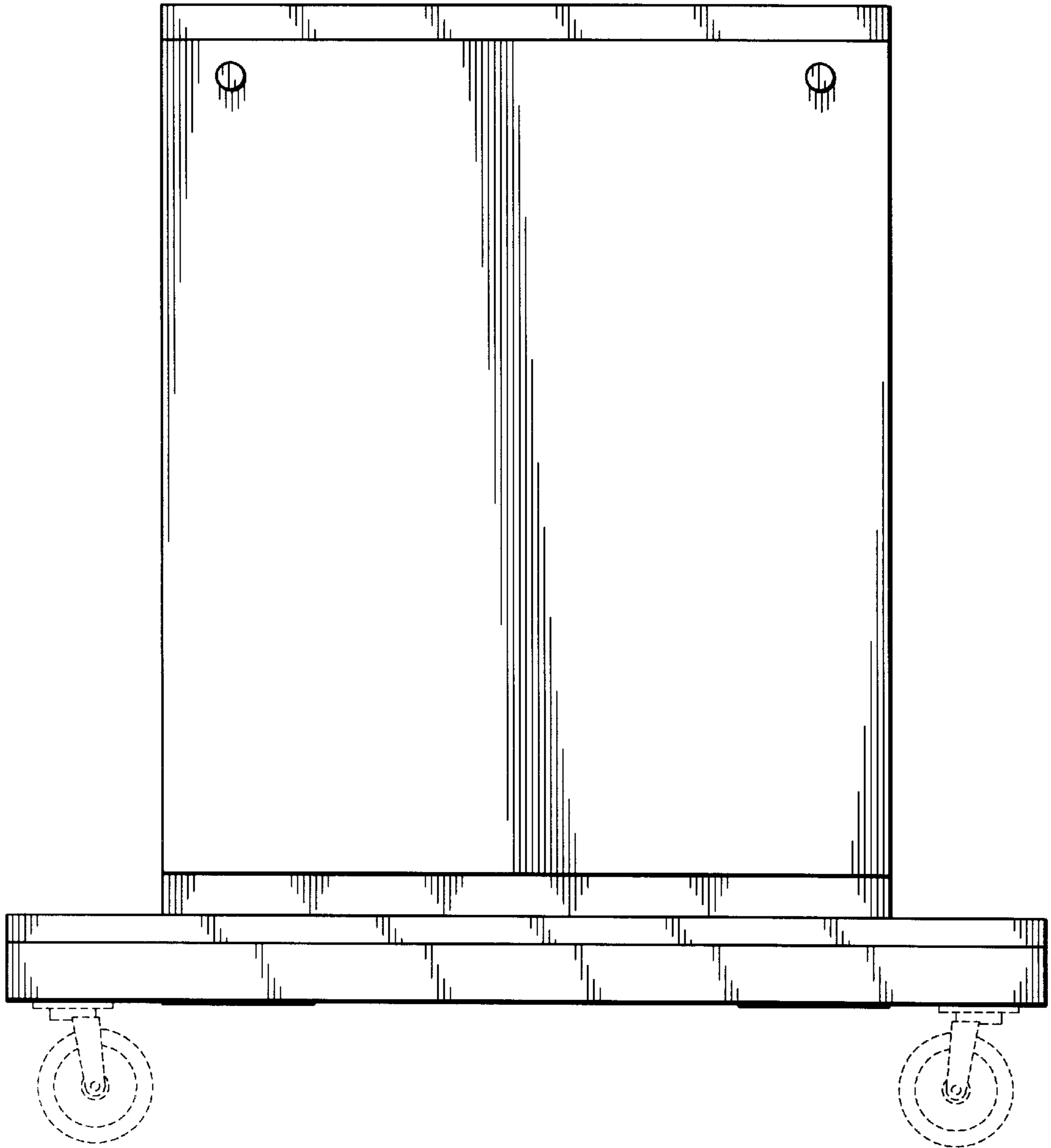


Fig 5