



US00D415779S

United States Patent [19]
Matsushita

[11] **Patent Number: Des. 415,779**

[45] **Date of Patent: ** Oct. 26, 1999**

[54] **35MM CAMERA**

D. 385,569 10/1997 Takimura D16/218
D. 400,550 11/1998 Inaba D16/209
5,258,793 11/1993 Tsuji et al. 396/536

[75] Inventor: **Takeshi Matsushita**, Tokyo, Japan

[73] Assignee: **Asahi Kogaku Kogyo Kabushiki Kaisha**, Tokyo, Japan

Primary Examiner—Adir Aronovich
Attorney, Agent, or Firm—Sughrue, Mion, Zinn, Macpeak & Seas, PLLC

[**] Term: **14 Years**

[57] **CLAIM**

[21] Appl. No.: **29/090,674**

The ornamental design for a 35mm camera, as shown.

[22] Filed: **Jul. 14, 1998**

DESCRIPTION

[30] **Foreign Application Priority Data**

Jan. 22, 1998 [JP] Japan 10-1430

FIG. 1 is a perspective view of the top, front and right side of a 35mm camera showing my new design;
FIG. 2 is a front elevational view thereof;
FIG. 3 is a top plan view thereof;
FIG. 4 is a left side elevational view thereof;
FIG. 5 is a right side elevational view thereof;
FIG. 6 is a rear elevational view thereof; and,
FIG. 7 is a bottom plan view thereof.

[51] **LOC (6) Cl.** **16-01**

[52] **U.S. Cl.** **D16/218; D16/209**

[58] **Field of Search** D16/200-205,
D16/208, 209, 216-218; 396/535-543

[56] **References Cited**

U.S. PATENT DOCUMENTS

D. 359,747 6/1995 Furuno et al. D16/209

1 Claim, 3 Drawing Sheets

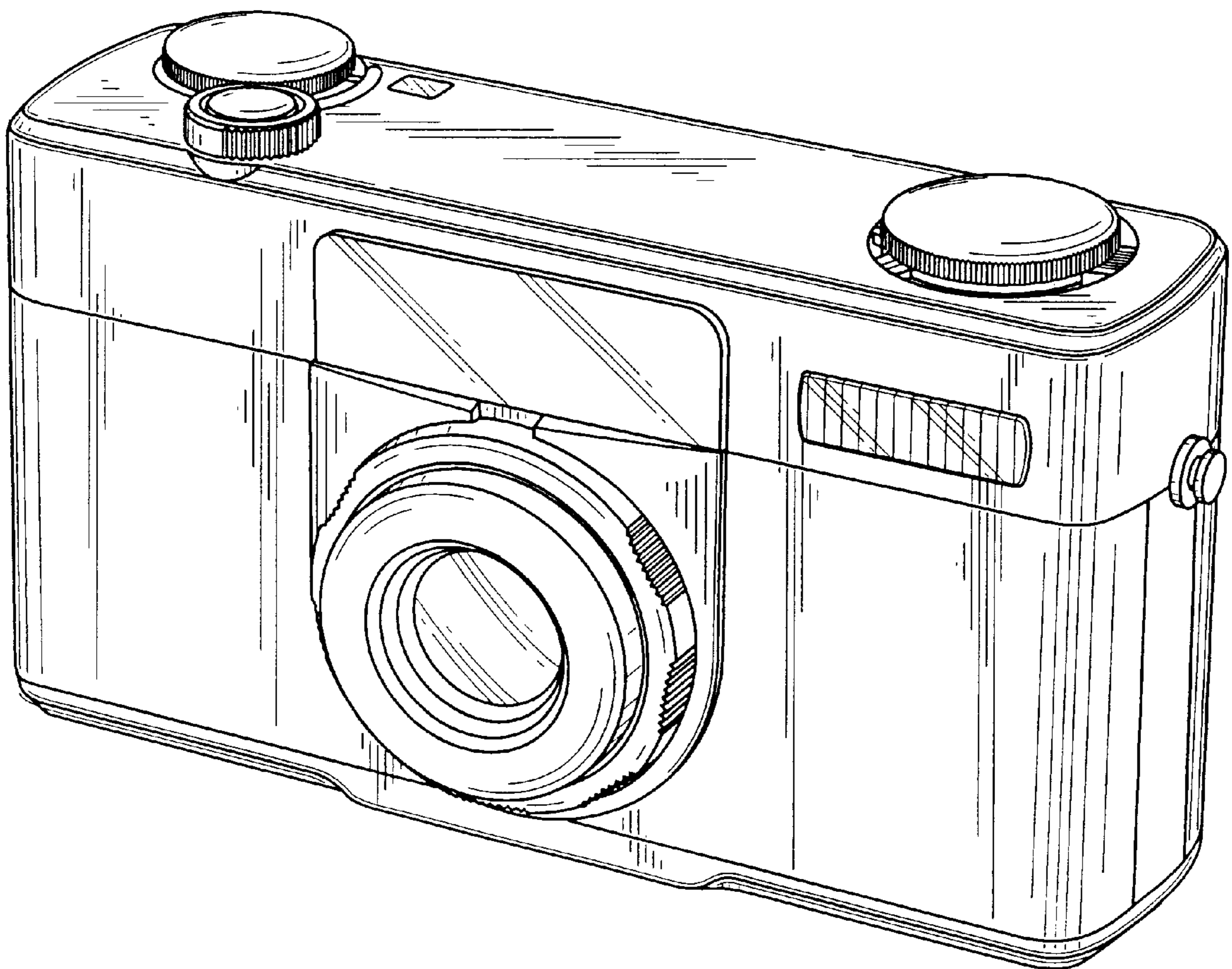


FIG. 1

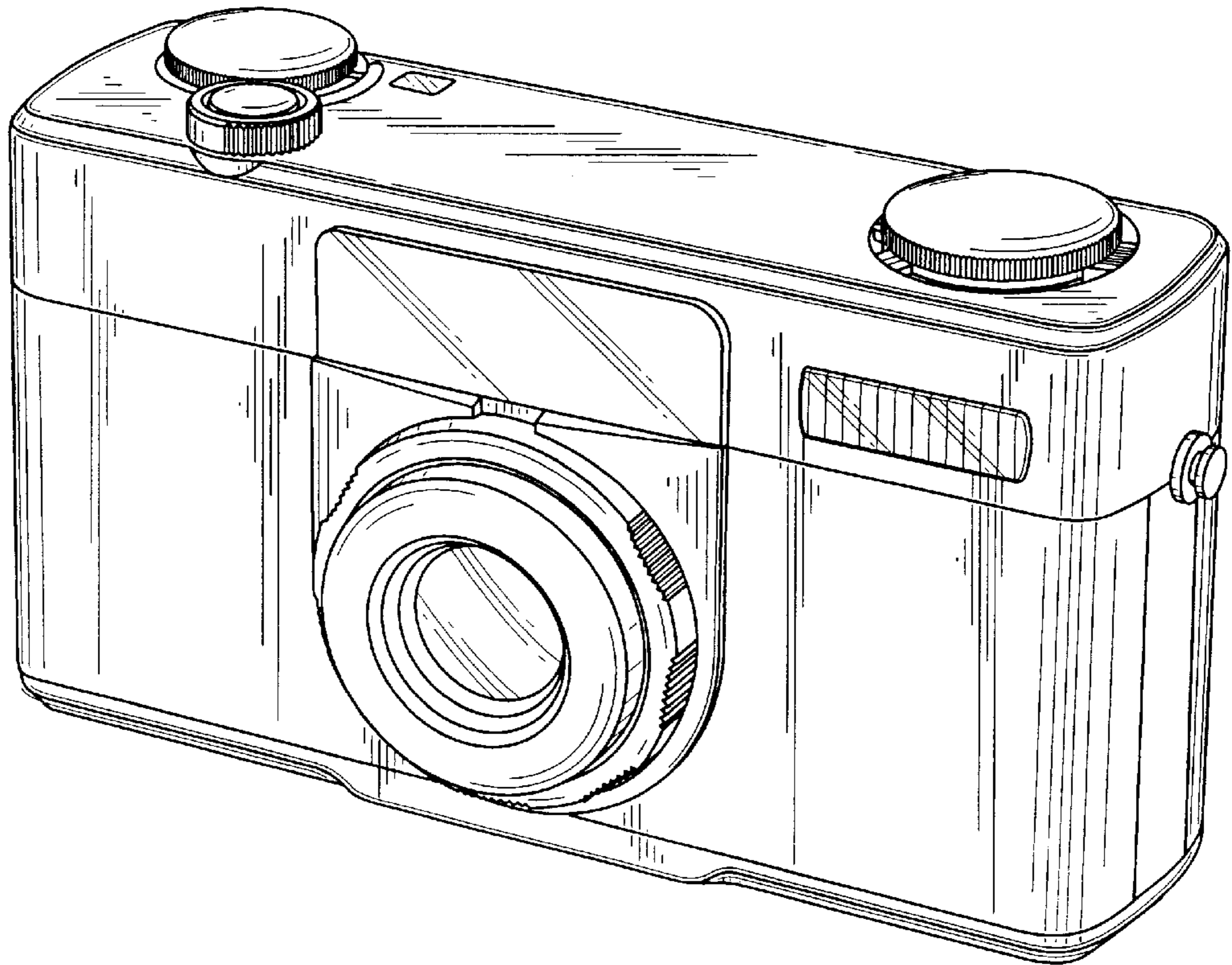


FIG. 2

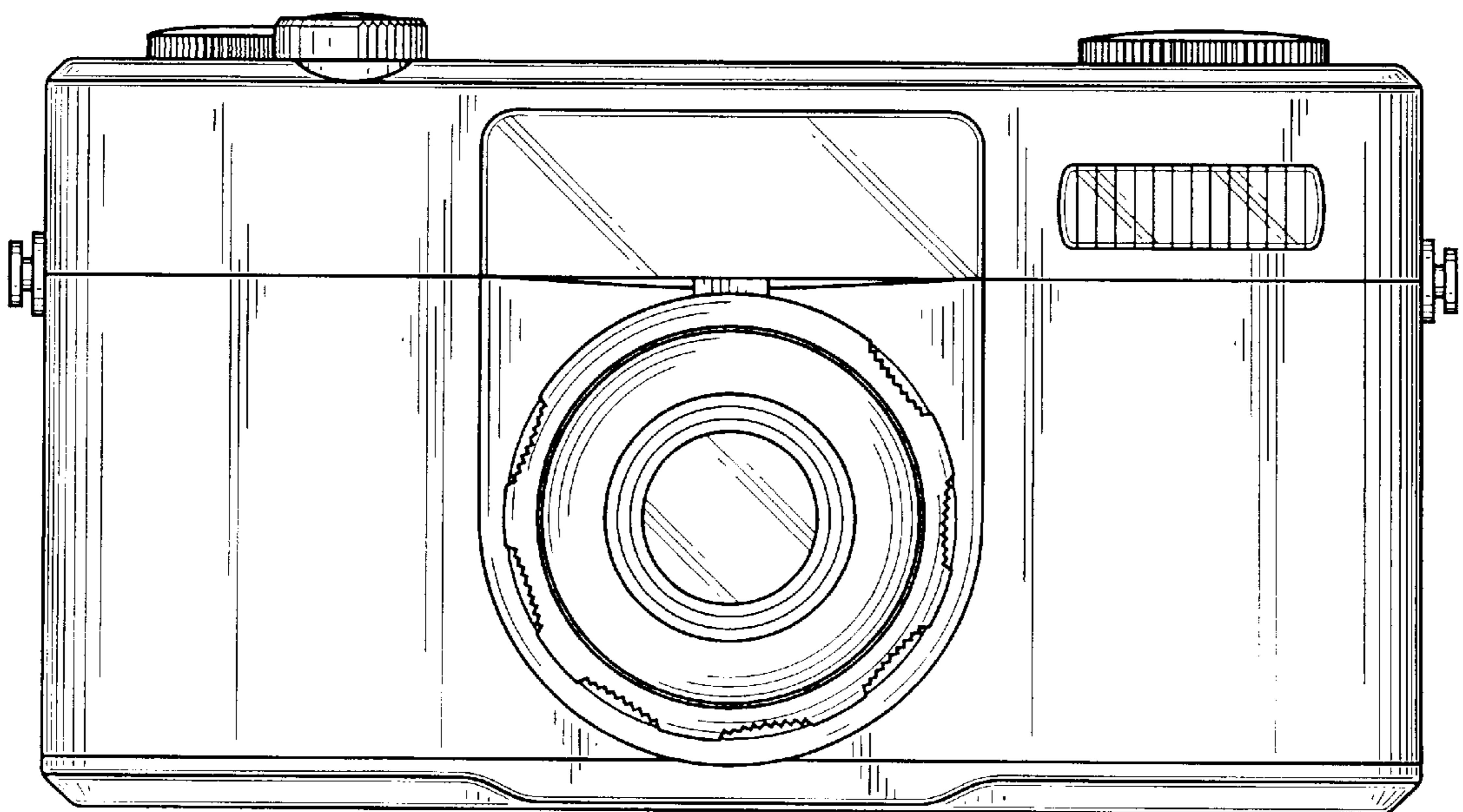


FIG. 3

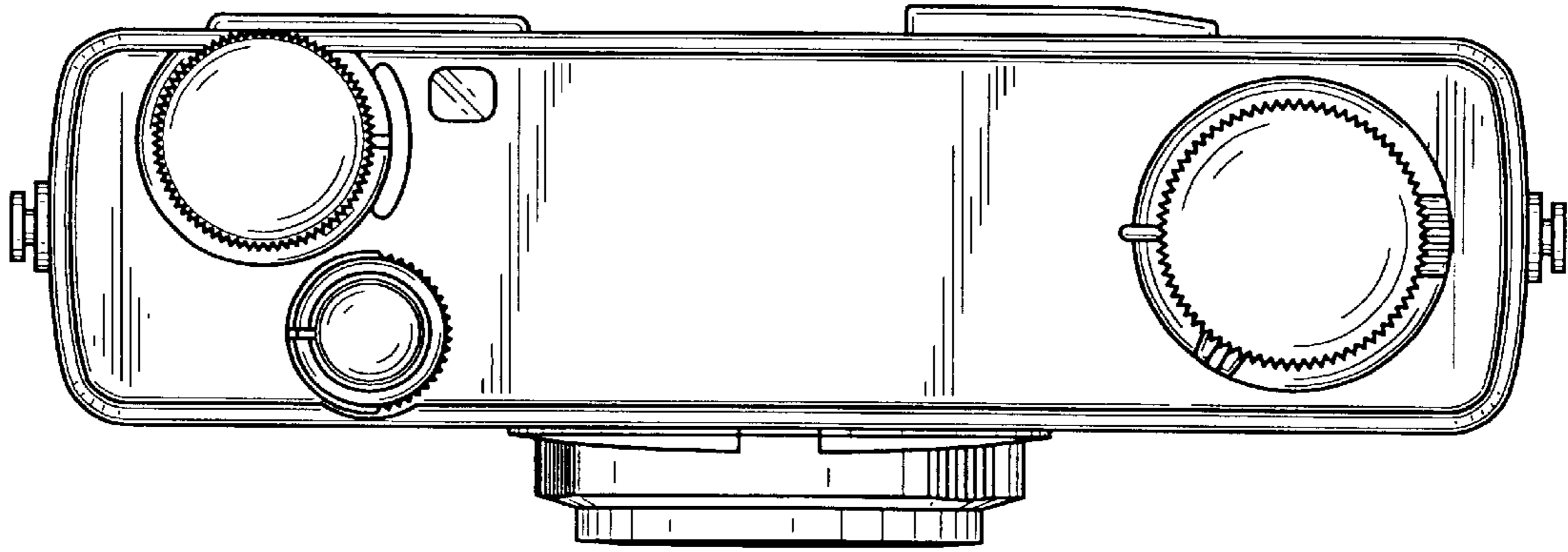


FIG. 4

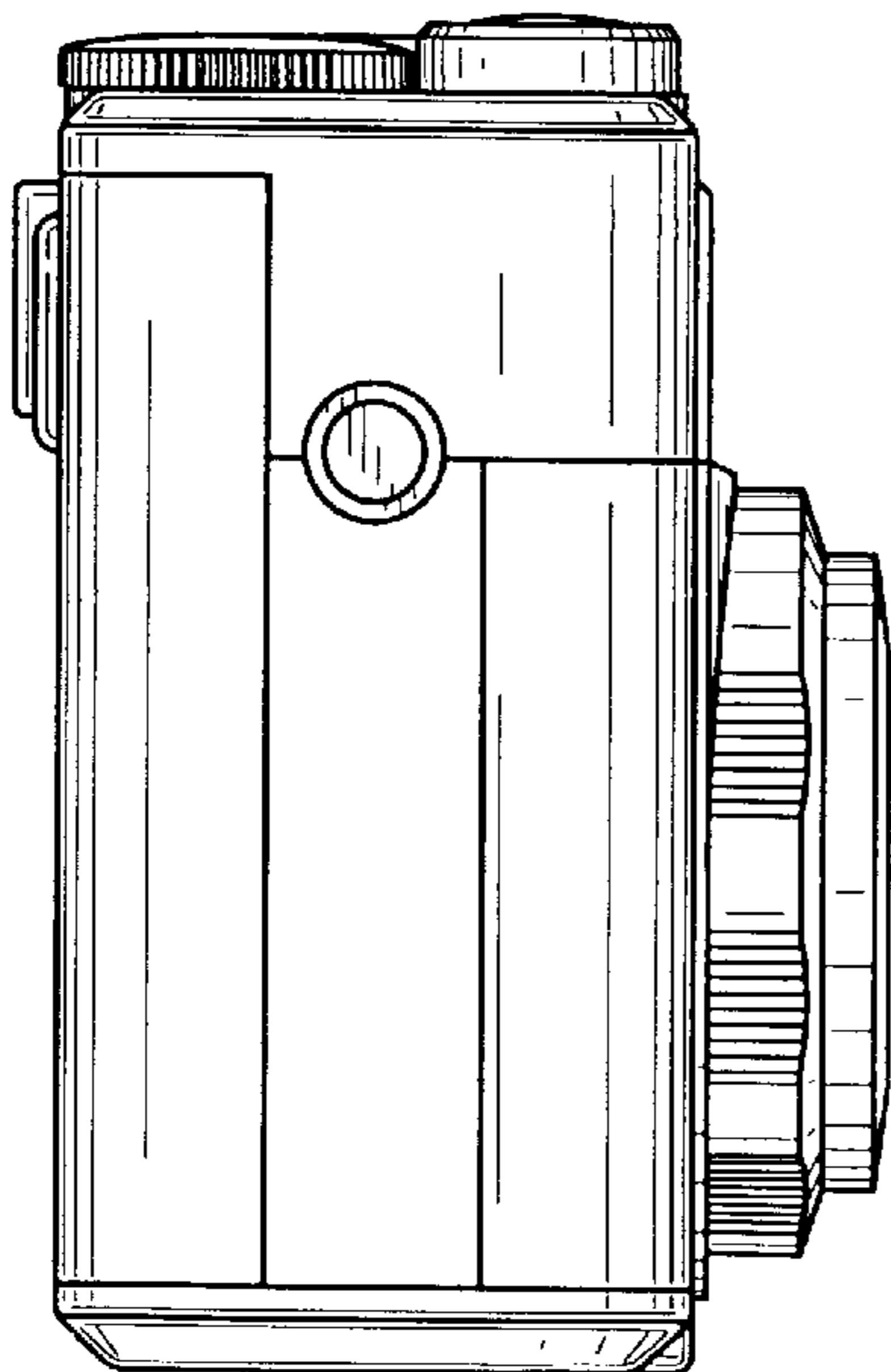


FIG. 5

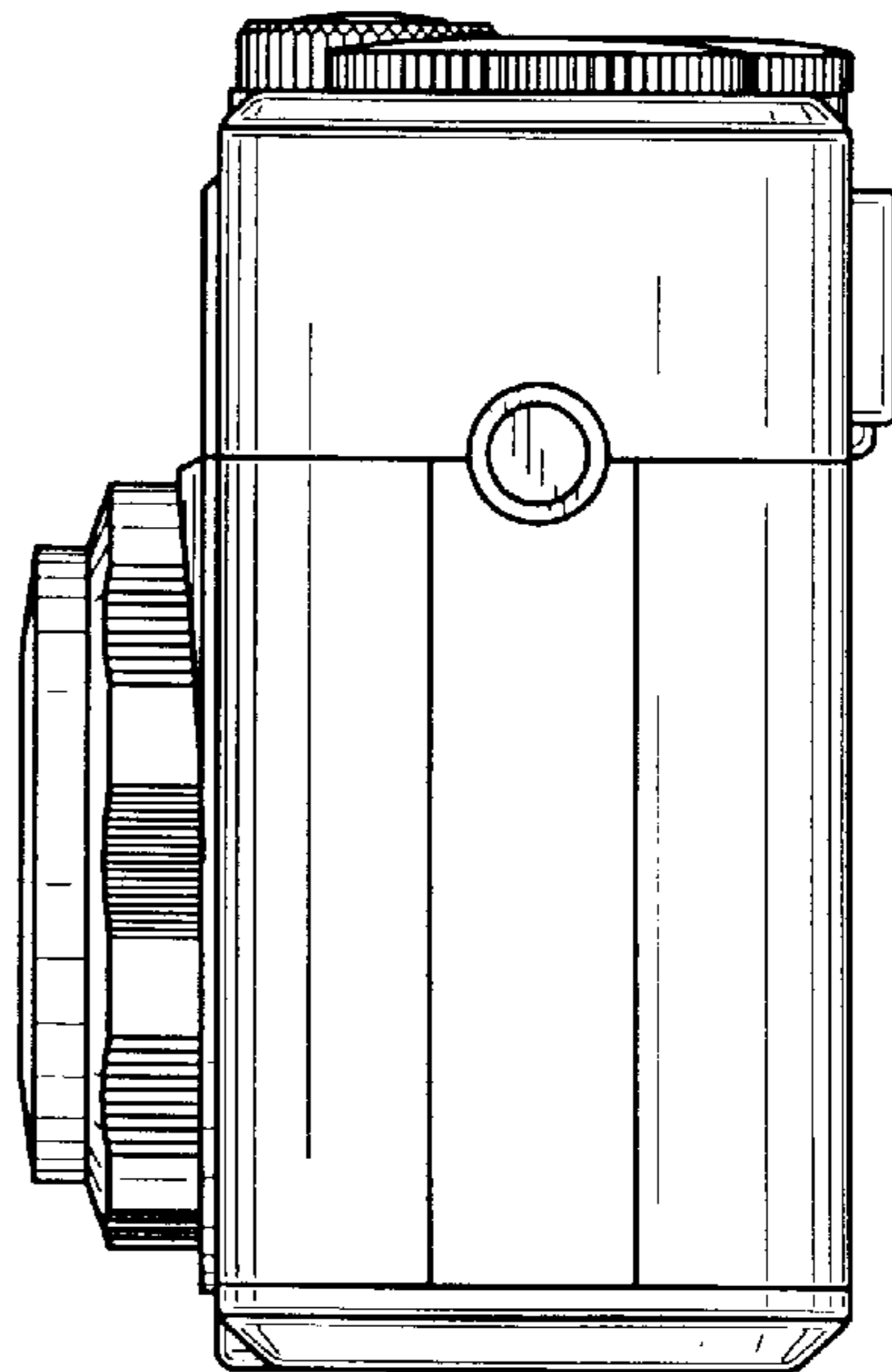


FIG. 6

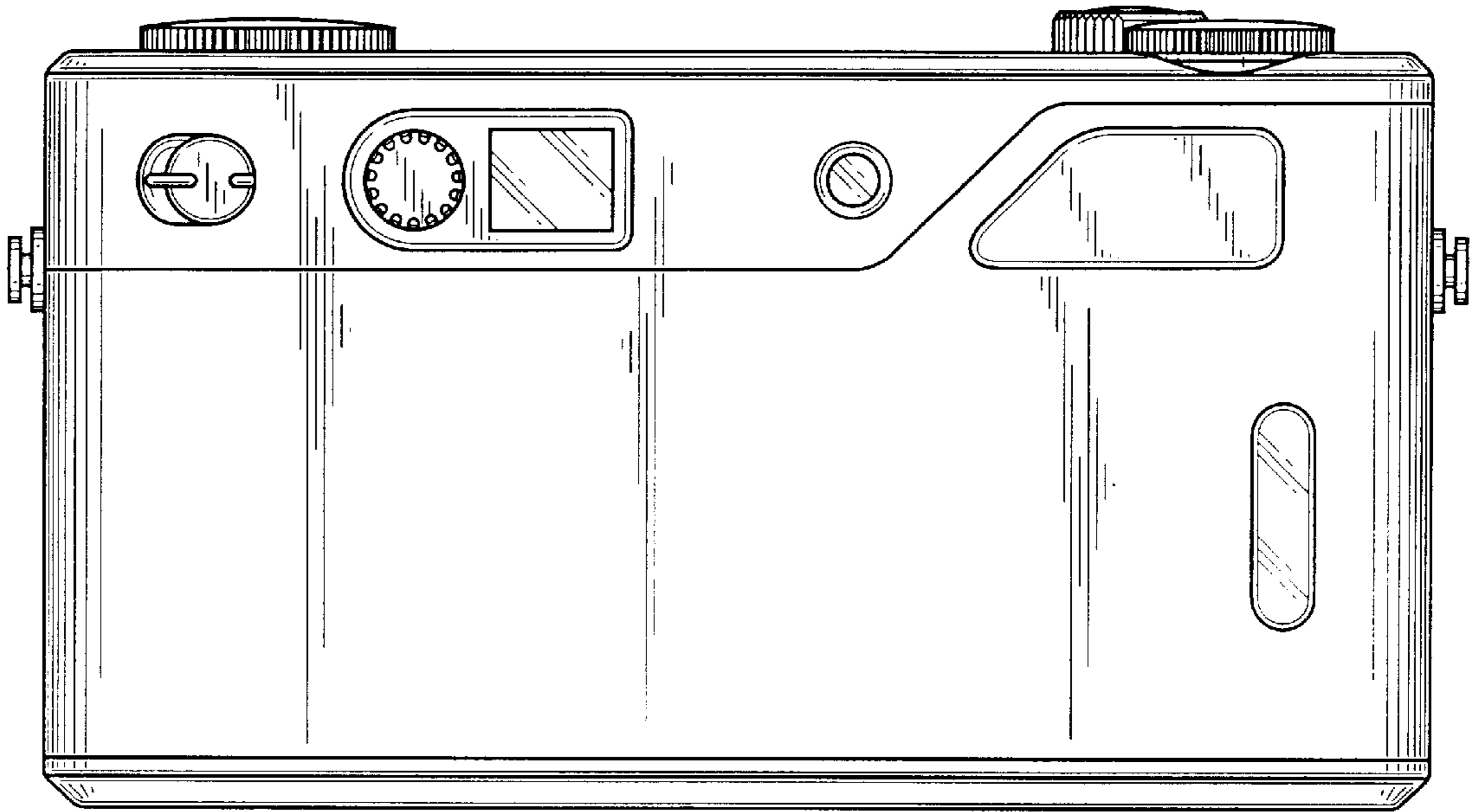


FIG. 7

