



US00D415778S

United States Patent [19]

[11] Patent Number: Des. 415,778

Harata

[45] Date of Patent: ** Oct. 26, 1999

[54] COMBINED VIDEO TAPE RECORDER AND CAMERA

[75] Inventor: Tomohiro Harata, Tokyo, Japan

[73] Assignee: Sony Corporation, Tokyo, Japan

[**] Term: 14 Years

[21] Appl. No.: 29/085,132

[22] Filed: Mar. 17, 1998

[51] LOC (6) Cl. 16-01

[52] U.S. Cl. D16/202

[58] Field of Search D16/200-208;
348/372-376; 352/242, 243; 358/906; 396/535-543

[56] References Cited

U.S. PATENT DOCUMENTS

D. 372,255	7/1996	Nakamura	D16/202
D. 375,107	10/1996	Ishii	D16/202
D. 376,166	12/1996	Ishii	D16/202
5,294,988	3/1994	Wakayabashi et al.	348/373
5,499,052	3/1996	Nakanishi et al.	348/373

OTHER PUBLICATIONS

Catalog "87", pp. 8, 9 & 330, Sony (Nov. 1997).

Primary Examiner—Adir Aronovich

Attorney, Agent, or Firm—Foley & Lardner

[57] CLAIM

The ornamental design for a combined tape recorder and camera, as shown and described.

DESCRIPTION

FIG. 1 is a top, front perspective view of a combined tape recorder and camera showing my new design;

FIG. 2 is a top, rear perspective view thereof, the viewing screen shown in an extending away position;

FIG. 3 is a top, rear perspective view thereof, the viewing screen shown in the first alternate position;

FIG. 4 is a top, rear perspective view thereof, the viewing screen shown in the second alternate position; and

FIG. 5 is a top, rear perspective view thereof, the viewing screen shown in the third alternate position;

FIG. 6 is a top plan view thereof;

FIG. 7 is a left side elevational view thereof;

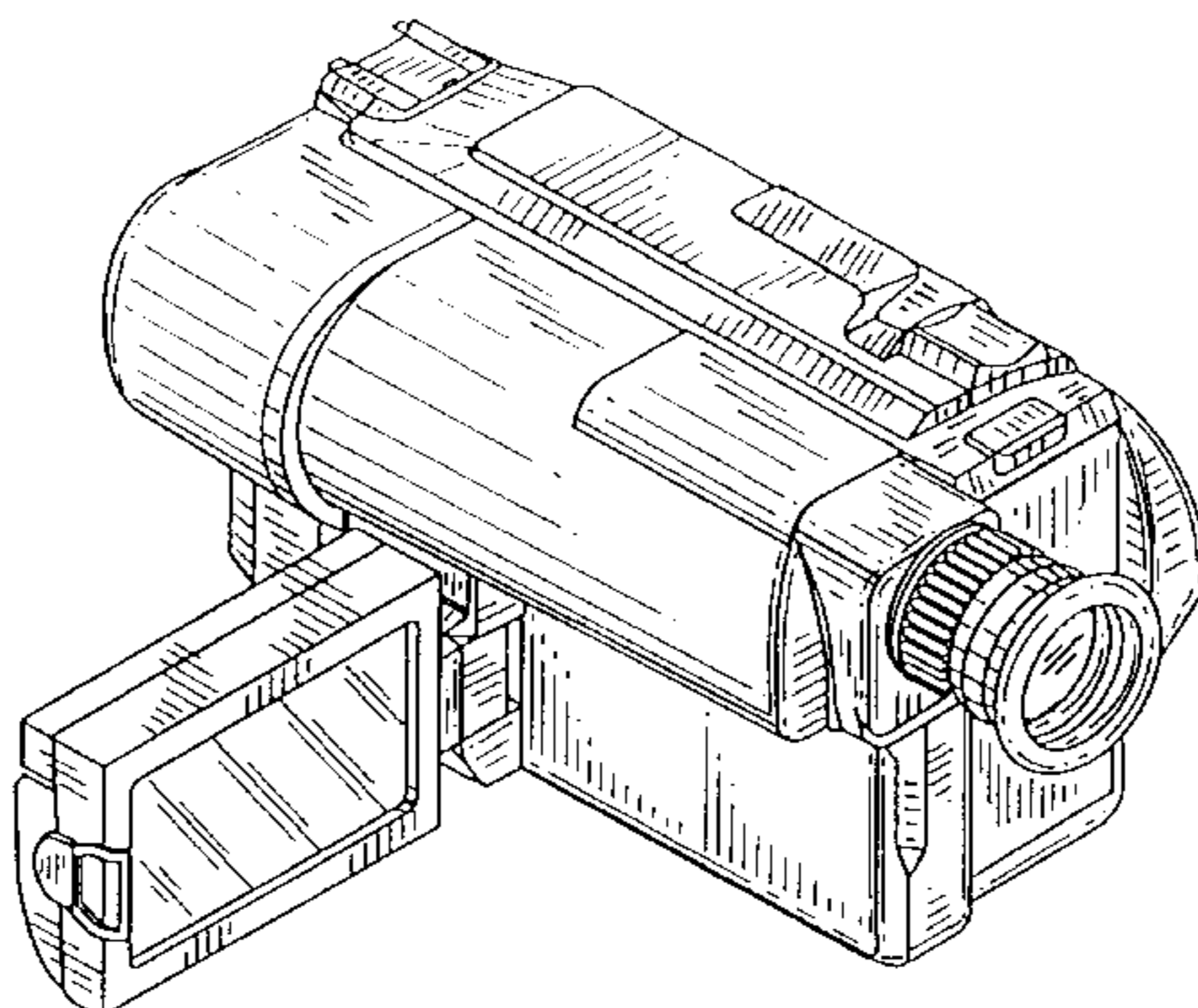
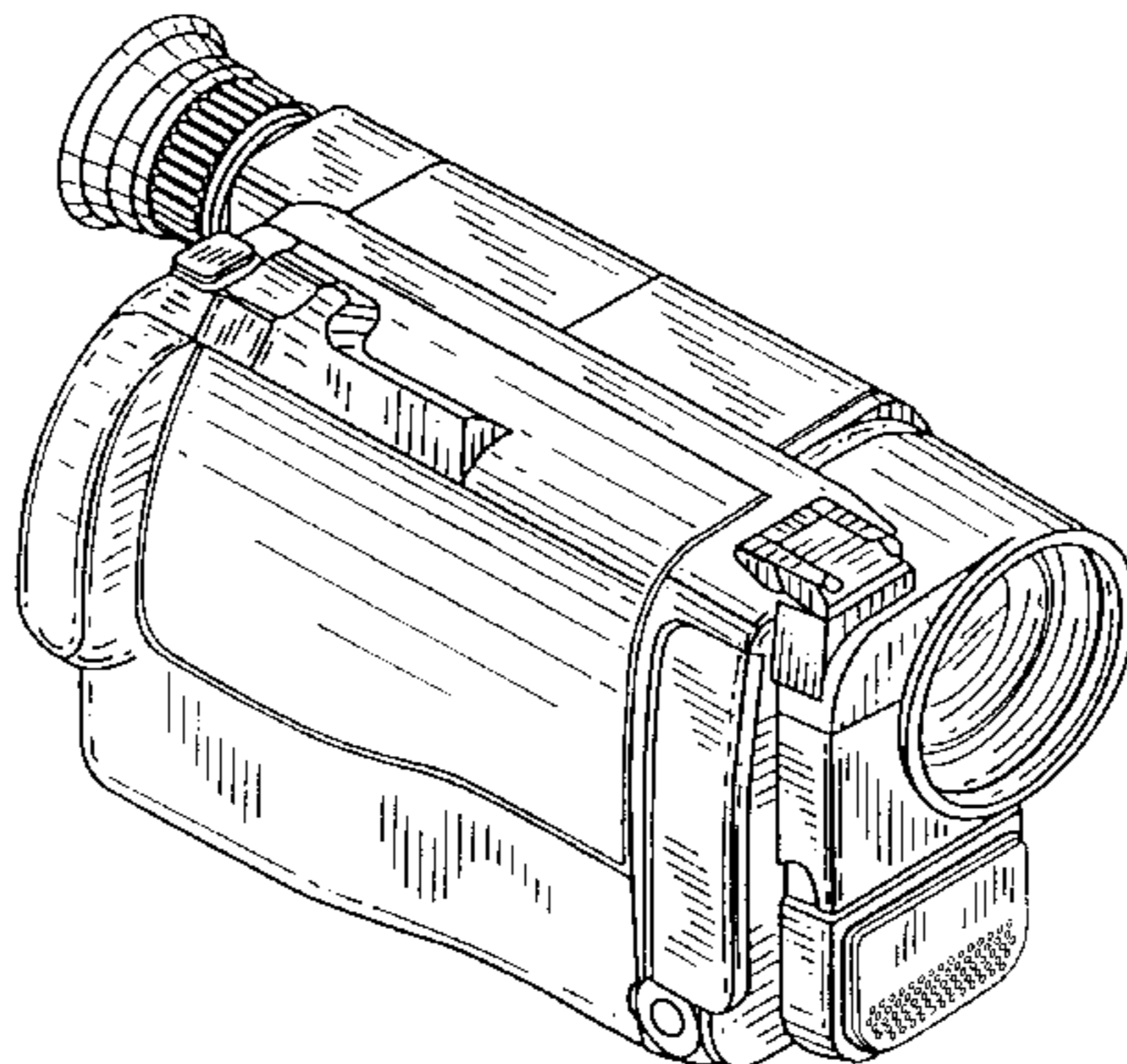
FIG. 8 is a front elevational view thereof;

FIG. 9 is a right side elevational view thereof;

FIG. 10 is a rear elevational view thereof; and,

FIG. 11 is a bottom plan view thereof.

1 Claim, 6 Drawing Sheets



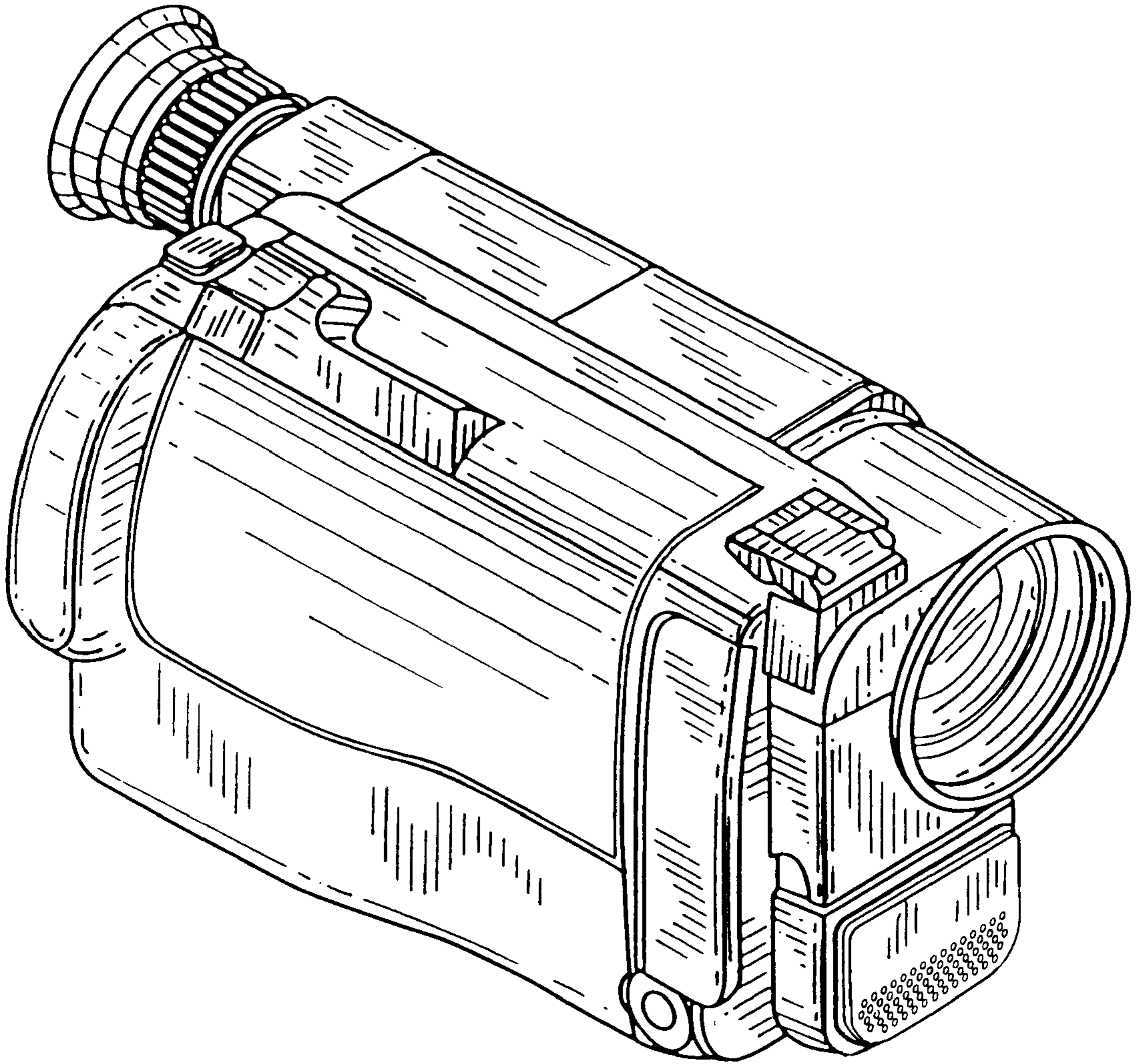


FIG. 1

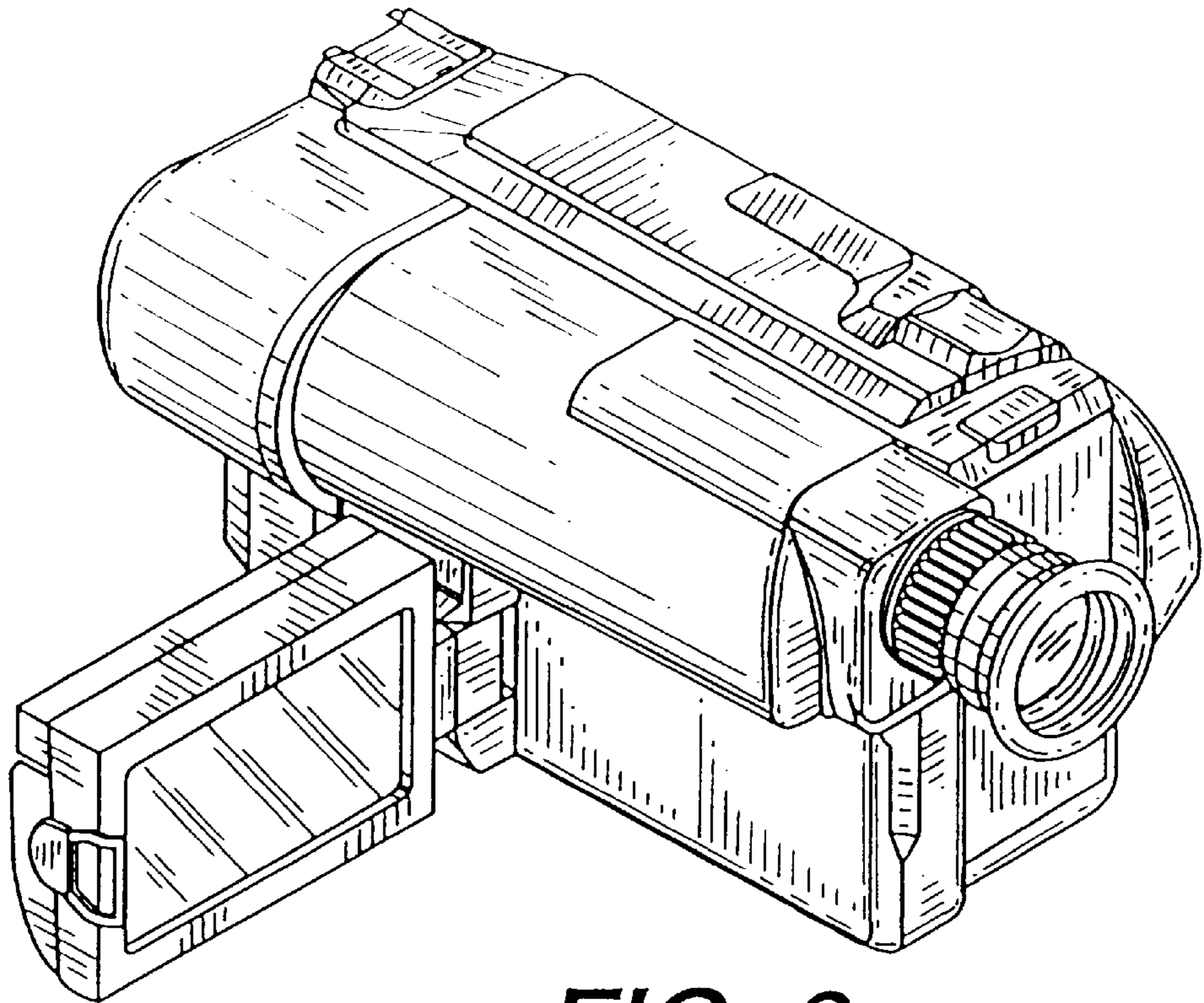


FIG. 2

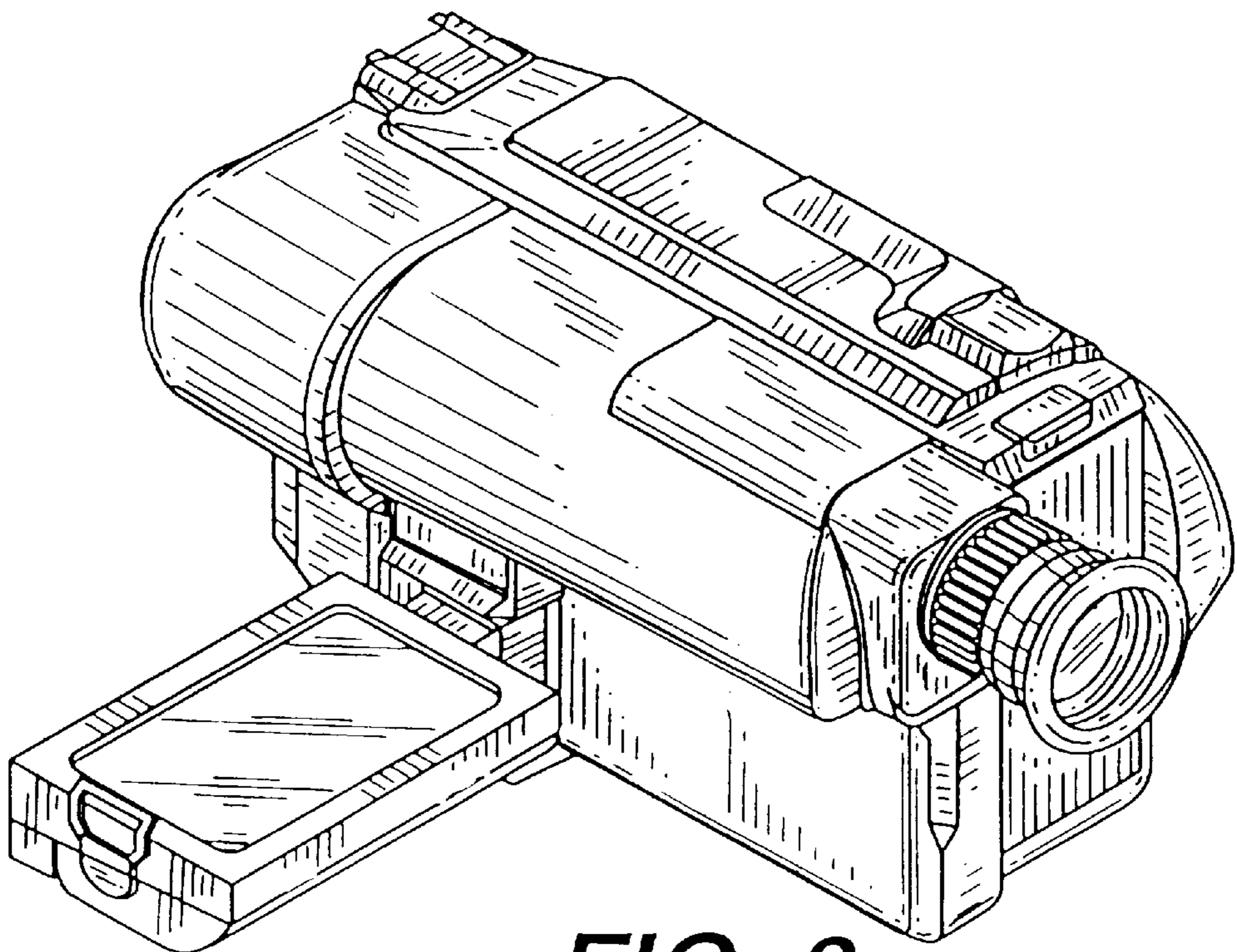


FIG. 3

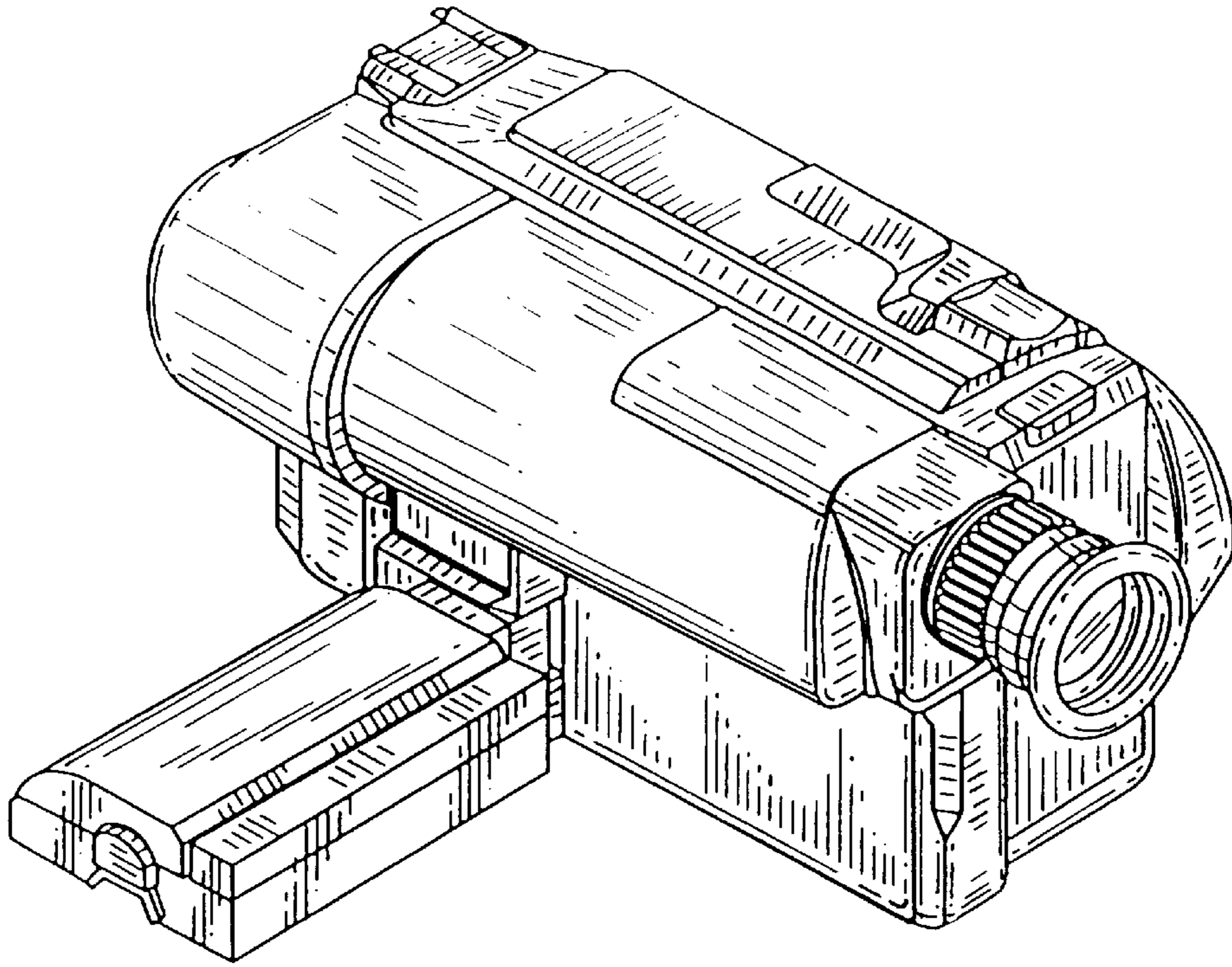


FIG. 4

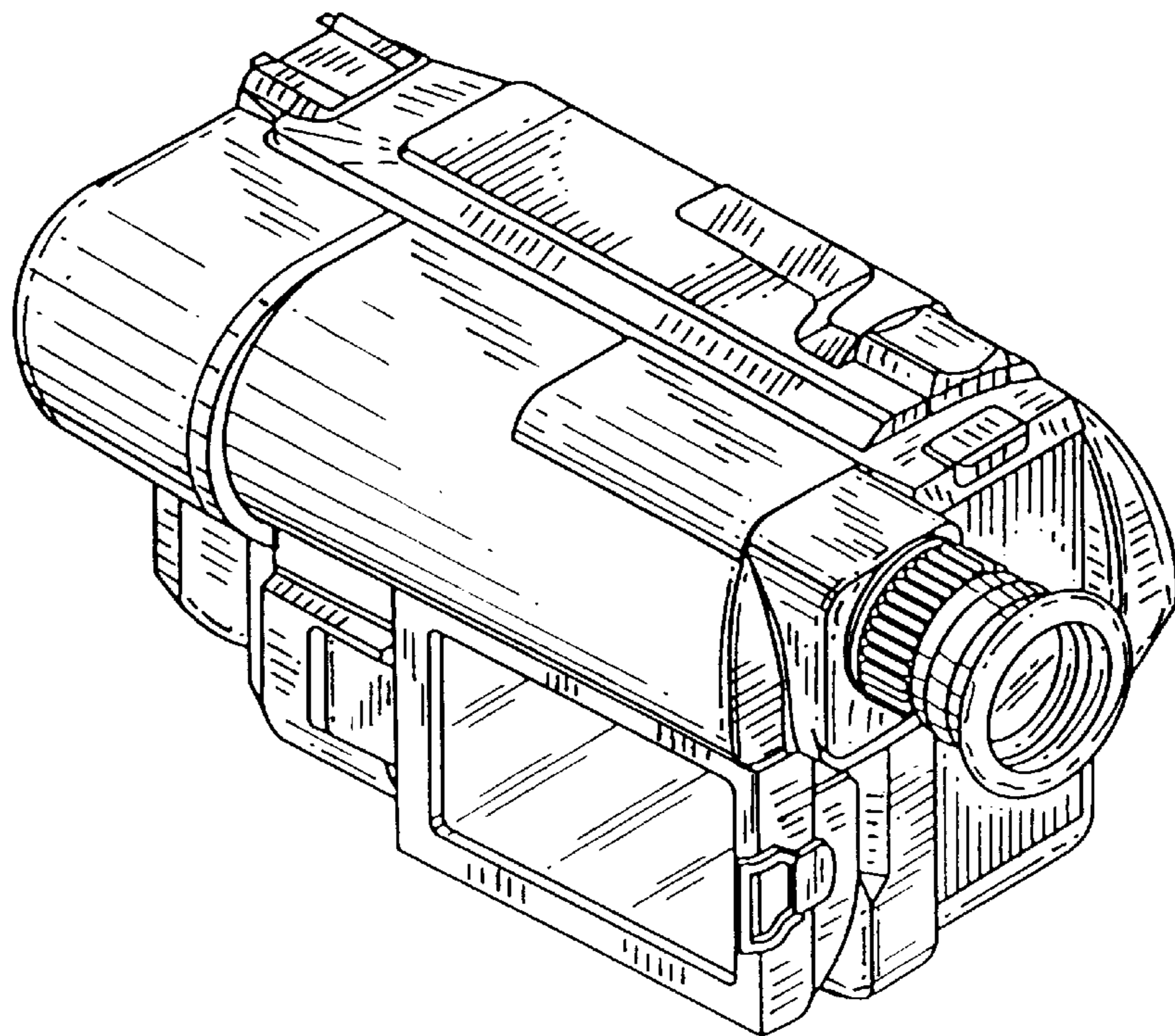


FIG. 5

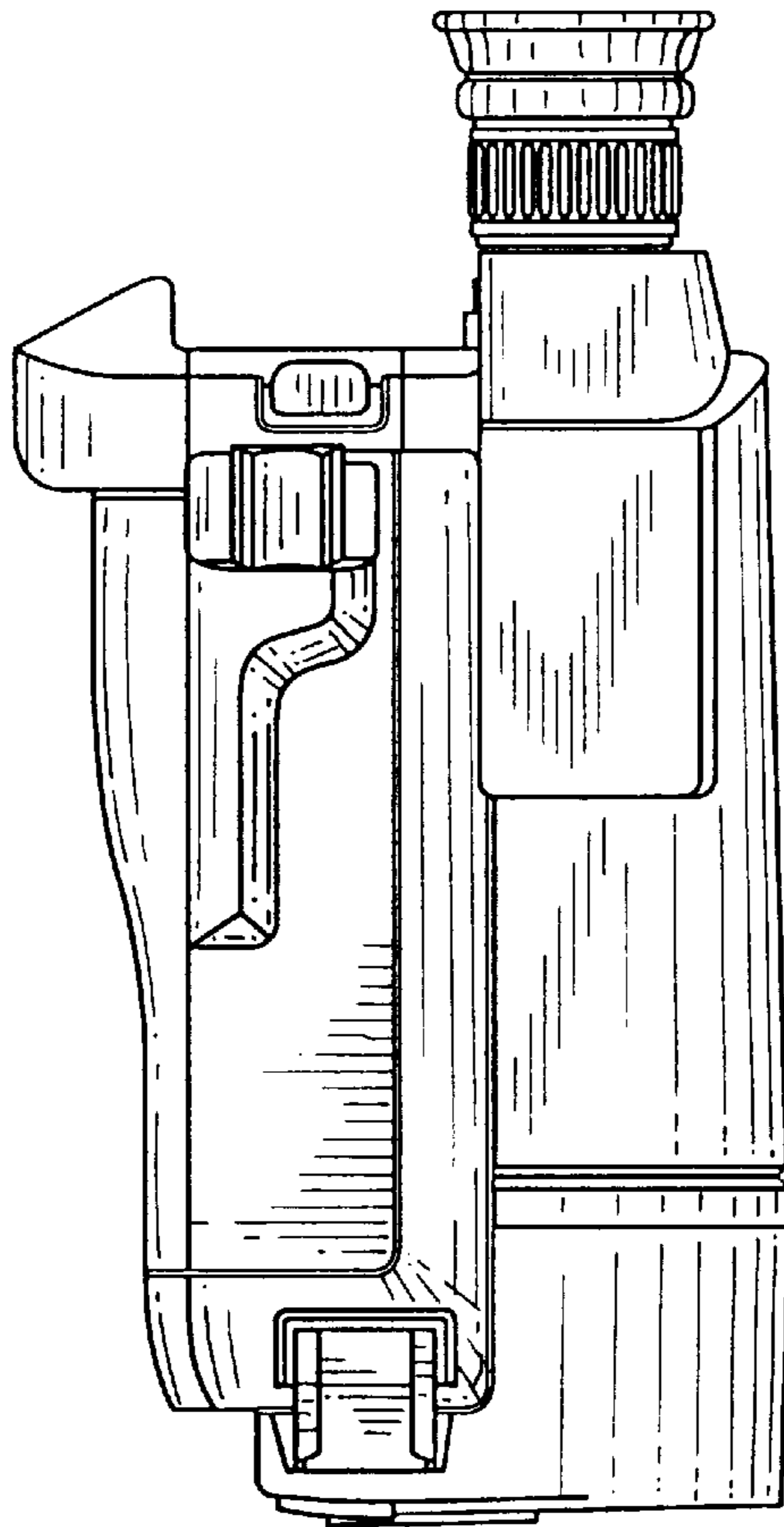


FIG. 6

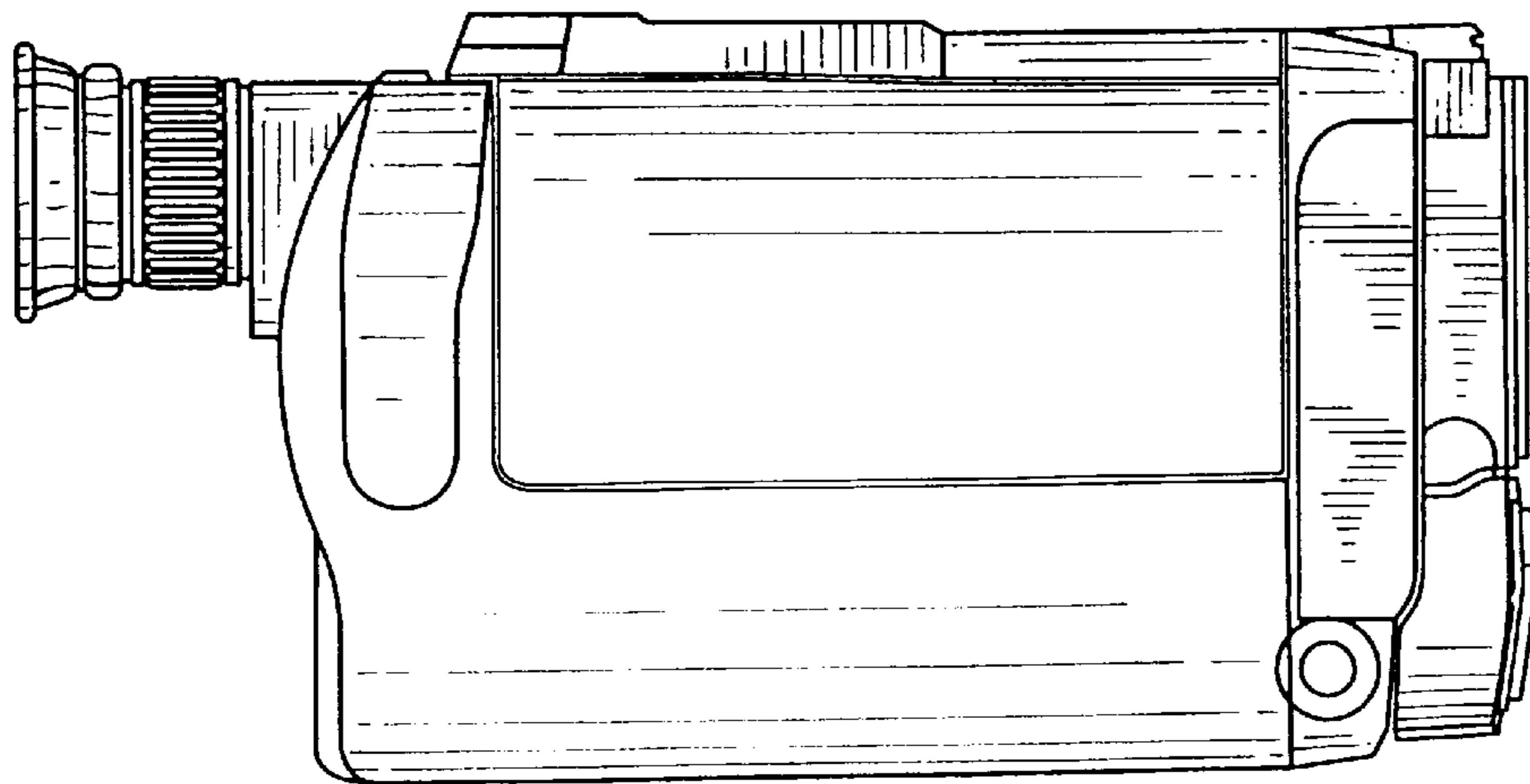


FIG. 7

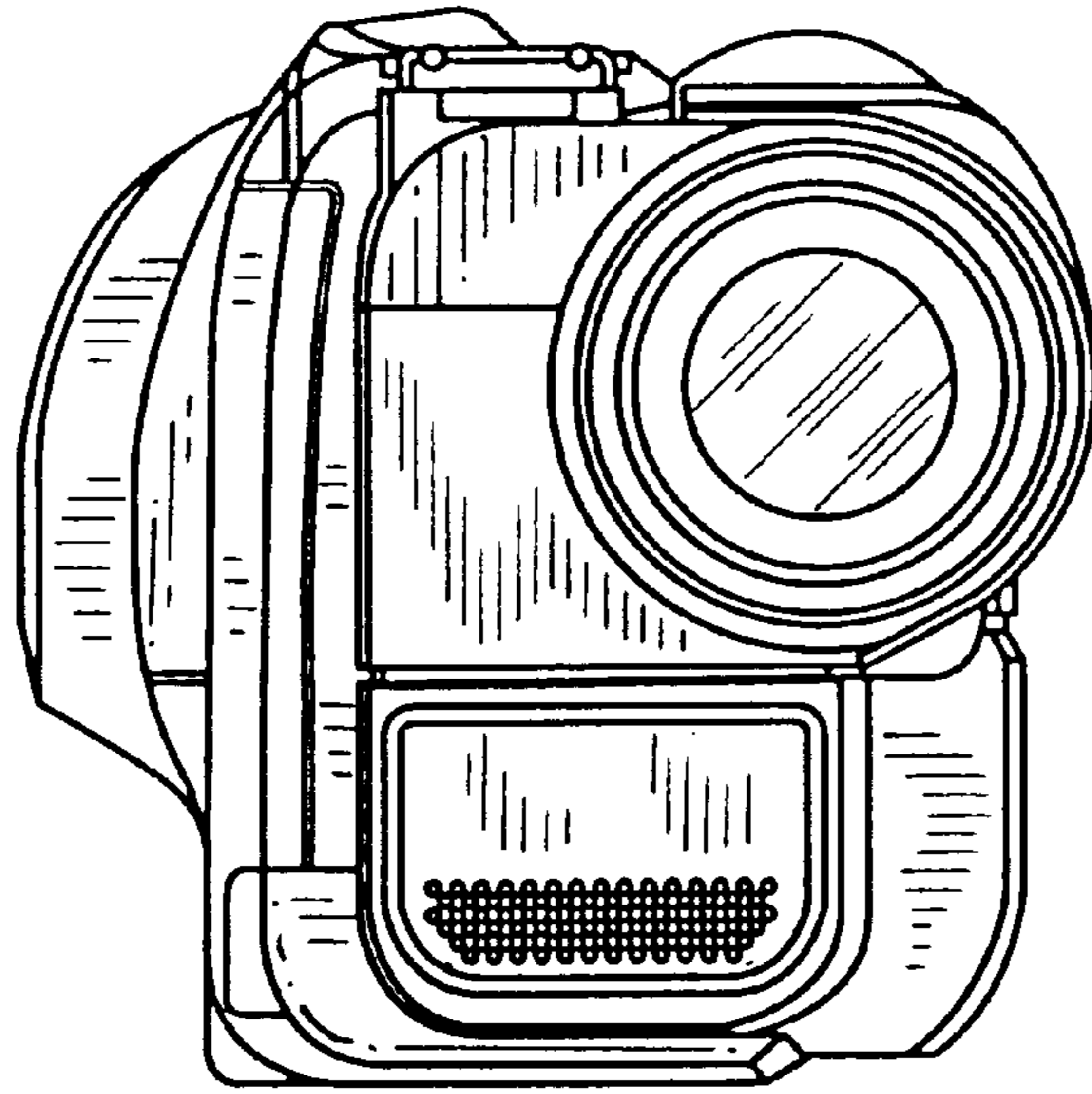


FIG. 8

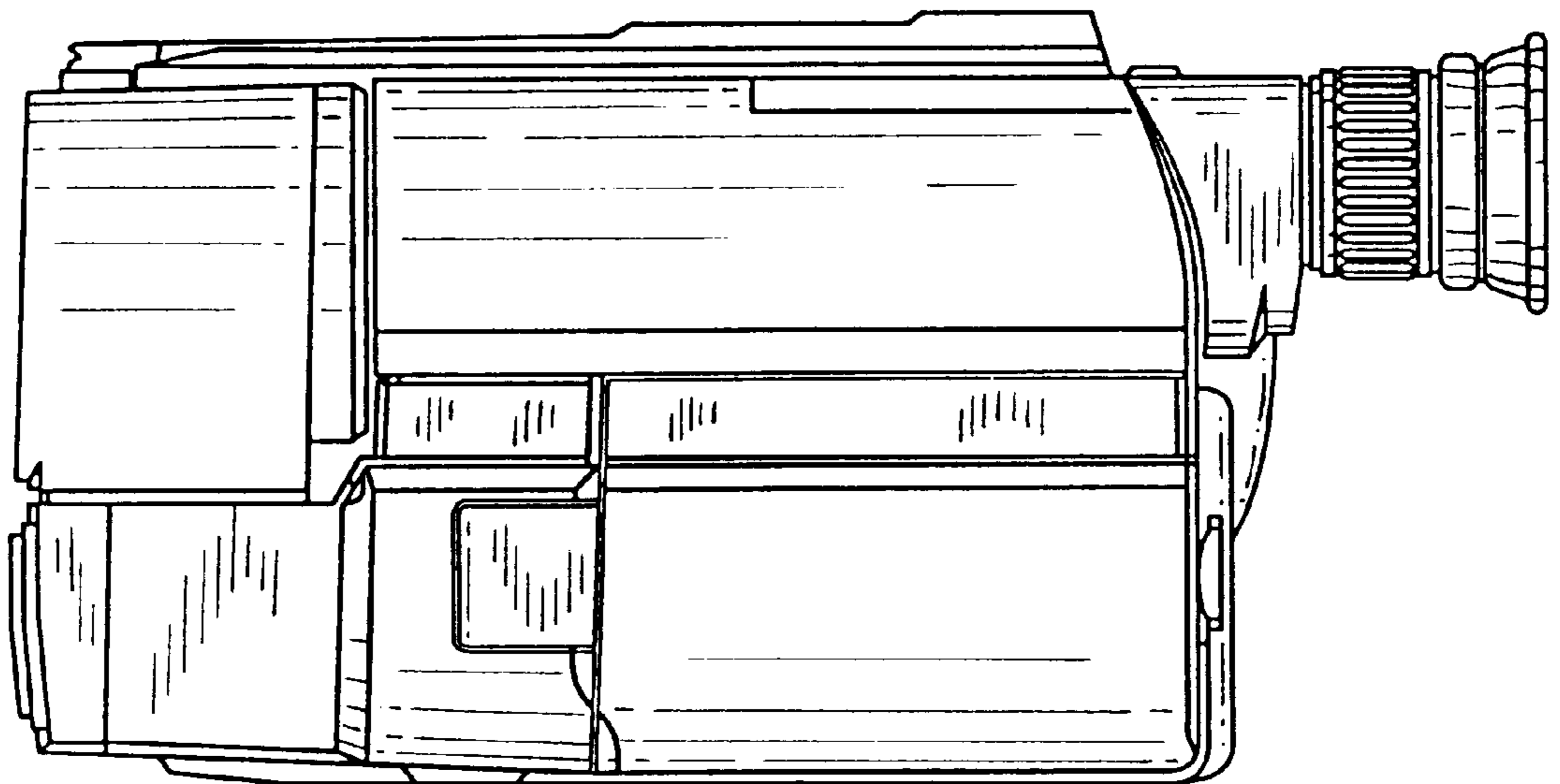


FIG. 9

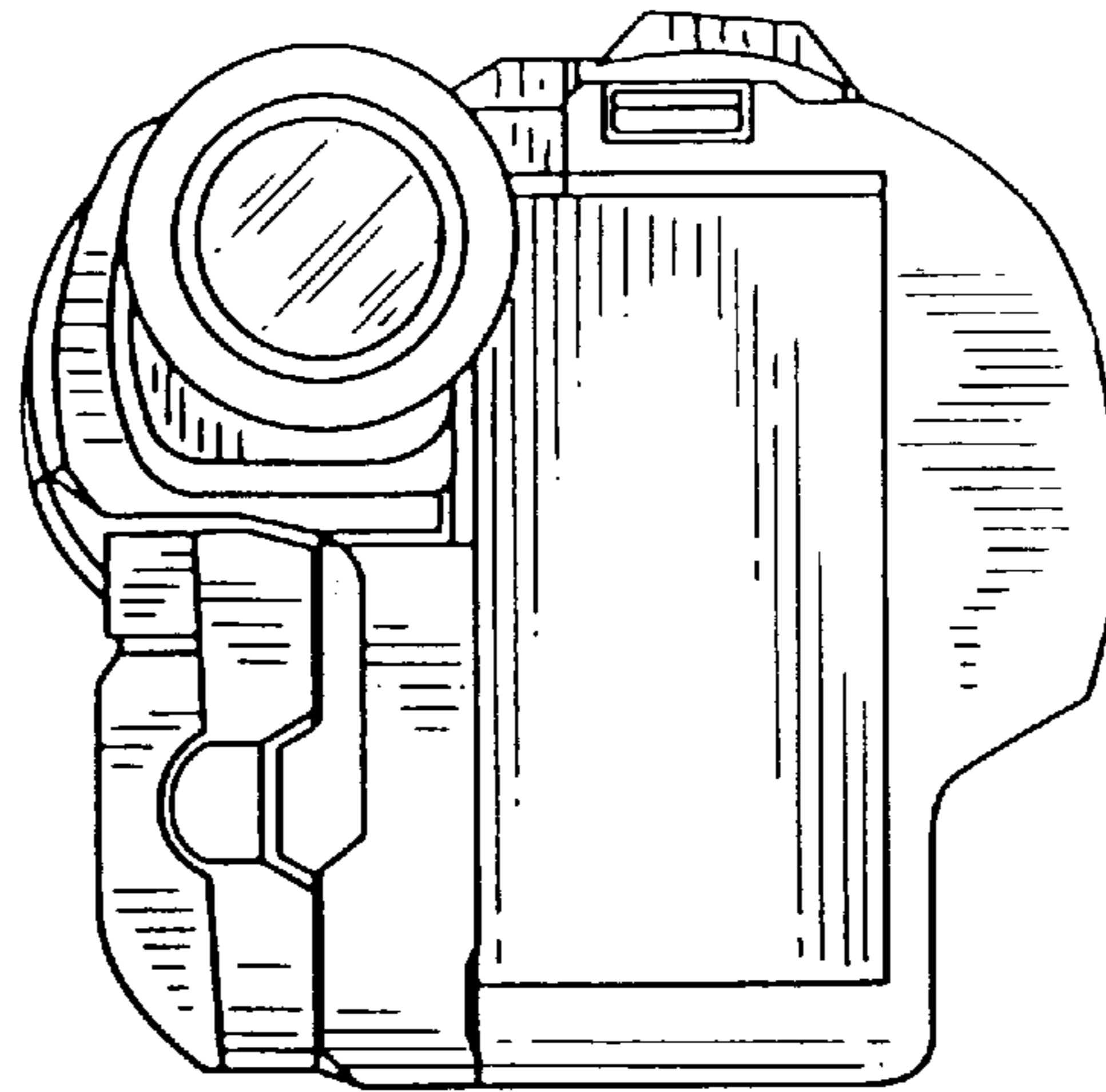


FIG. 10

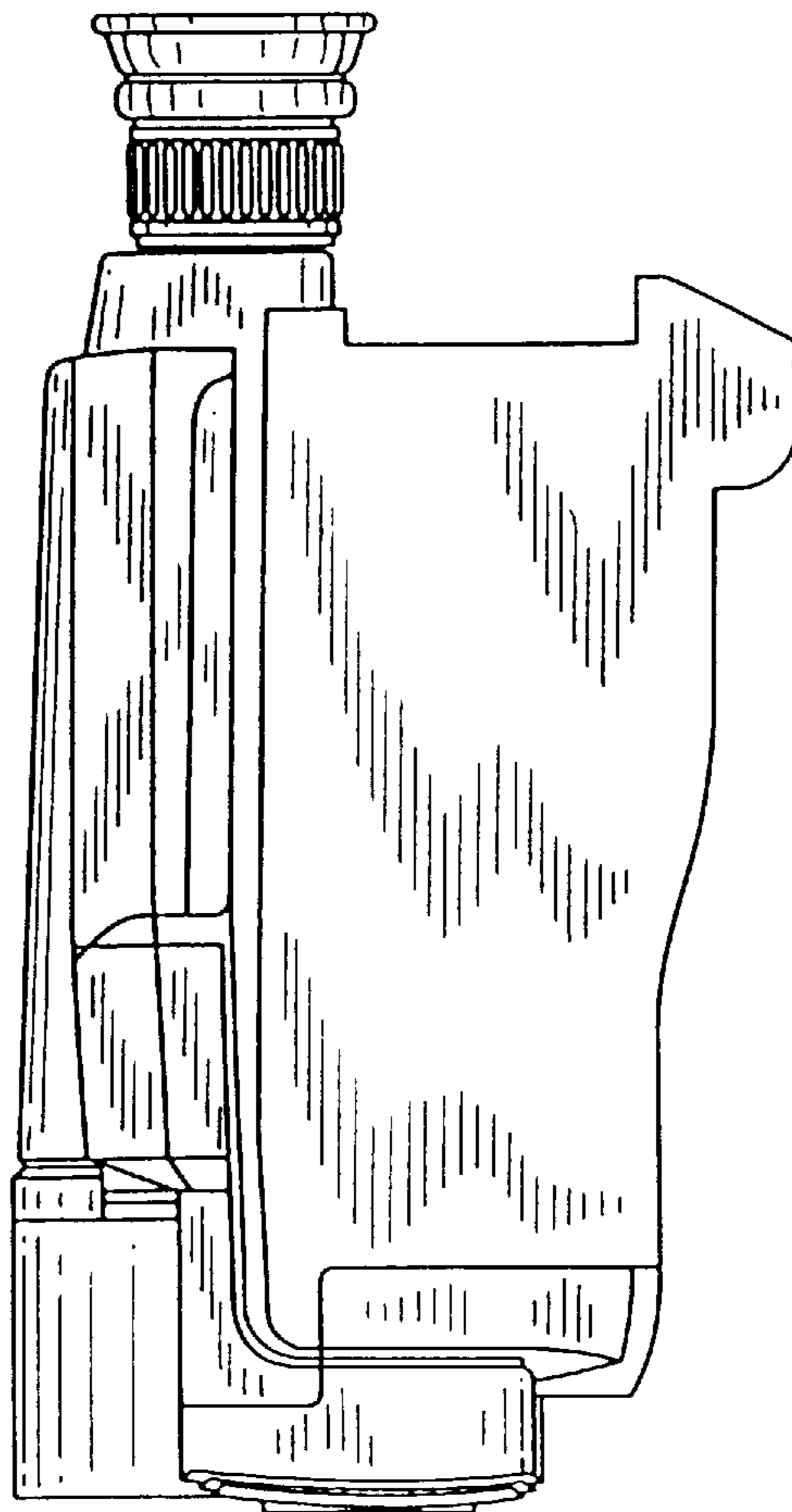


FIG. 11