



US00D415771S

United States Patent [19] Richter

[11] **Patent Number: Des. 415,771**

[45] **Date of Patent: ** Oct. 26, 1999**

[54] TELEPHONE HOLDER WITH LONG NECK AND CLAMP

[76] Inventor: **Herbert Richter**, Drosselweg 8, 75331 Engelbrand, Germany

[**] Term: **14 Years**

[21] Appl. No.: **29/102,027**

[22] Filed: **Mar. 16, 1999**

[51] **LOC (6) Cl. 14-03**

[52] **U.S. Cl. D14/253**

[58] **Field of Search** D14/137, 138, D14/148, 147, 149-151, 140-142, 240, 241, 251, 253; 379/433-436, 419, 420, 449, 428, 440, 454, 455, 446, 447; D13/107, 108; 320/110, 113, 114, 115; 224/929; D16/242; D8/373

[56] **References Cited**

U.S. PATENT DOCUMENTS

D. 309,307	7/1990	Sigurdson	D14/251
D. 321,885	11/1991	Sheldrake	D14/253
D. 337,733	7/1993	Turk	D14/251
D. 379,463	5/1997	Richter	D14/253
D. 390,849	2/1998	Richter et al.	D14/253
D. 391,265	2/1998	Richter	D14/253
D. 394,669	5/1998	Becker et al.	D16/242
2,519,746	8/1950	Hart et al.	379/455 X
2,784,261	3/1957	Anklesaria	379/455
4,842,174	6/1989	Sheppard et al.	379/454
5,187,744	2/1993	Richter	379/449
5,392,350	2/1995	Swanson	379/446
5,568,549	10/1996	Wang	379/446
5,659,612	8/1997	Wang	379/446
5,799,914	9/1998	Chivallier et al	224/929

OTHER PUBLICATIONS

Hello Direct p. 52 portable hands-free kits, telephone holder, Fall, 1996.

Primary Examiner—Jeffrey Asch
Attorney, Agent, or Firm—Klaus J. Bach

[57] **CLAIM**

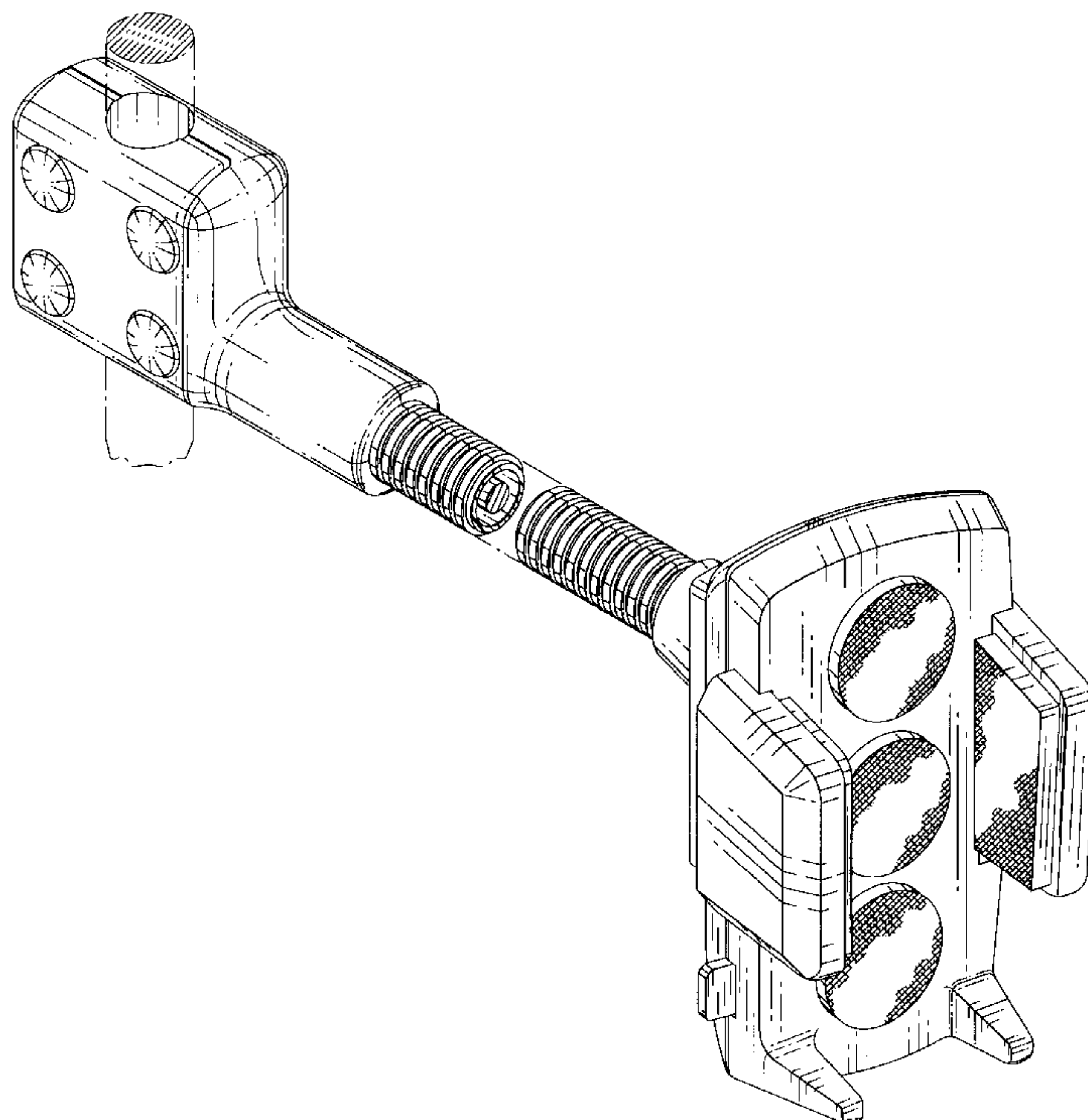
The ornamental design for a telephone holder with long neck and clamp, as shown and described.

DESCRIPTION

FIG. 1 is a perspective view of the telephone holder with long neck and clamp;
FIG. 2 is a top view of the telephone holder with long neck and clamp shown in FIG. 1;
FIG. 3 is a right side view of the telephone holder with long neck and clamp shown in FIG. 2;
FIG. 4 is a left side view of the telephone holder with long neck and clamp shown in FIG. 2;
FIG. 5 is a bottom view of the telephone holder with long neck and clamp shown in FIG. 1;
FIG. 6 is a front view of the telephone holder with long neck and clamp shown in FIG. 2; and,
FIG. 7 is a rear view of the telephone holder with long neck and clamp shown in FIG. 2.

The patterned surface treatment schematically depicted throughout the views is continuous about the surfaces on which it is shown. The neck is shown broken away and connected by broken lines to indicate an indeterminate length. The broken line showing of a tubular member is for illustrative purposes only and forms no part of the claimed design.

1 Claim, 6 Drawing Sheets



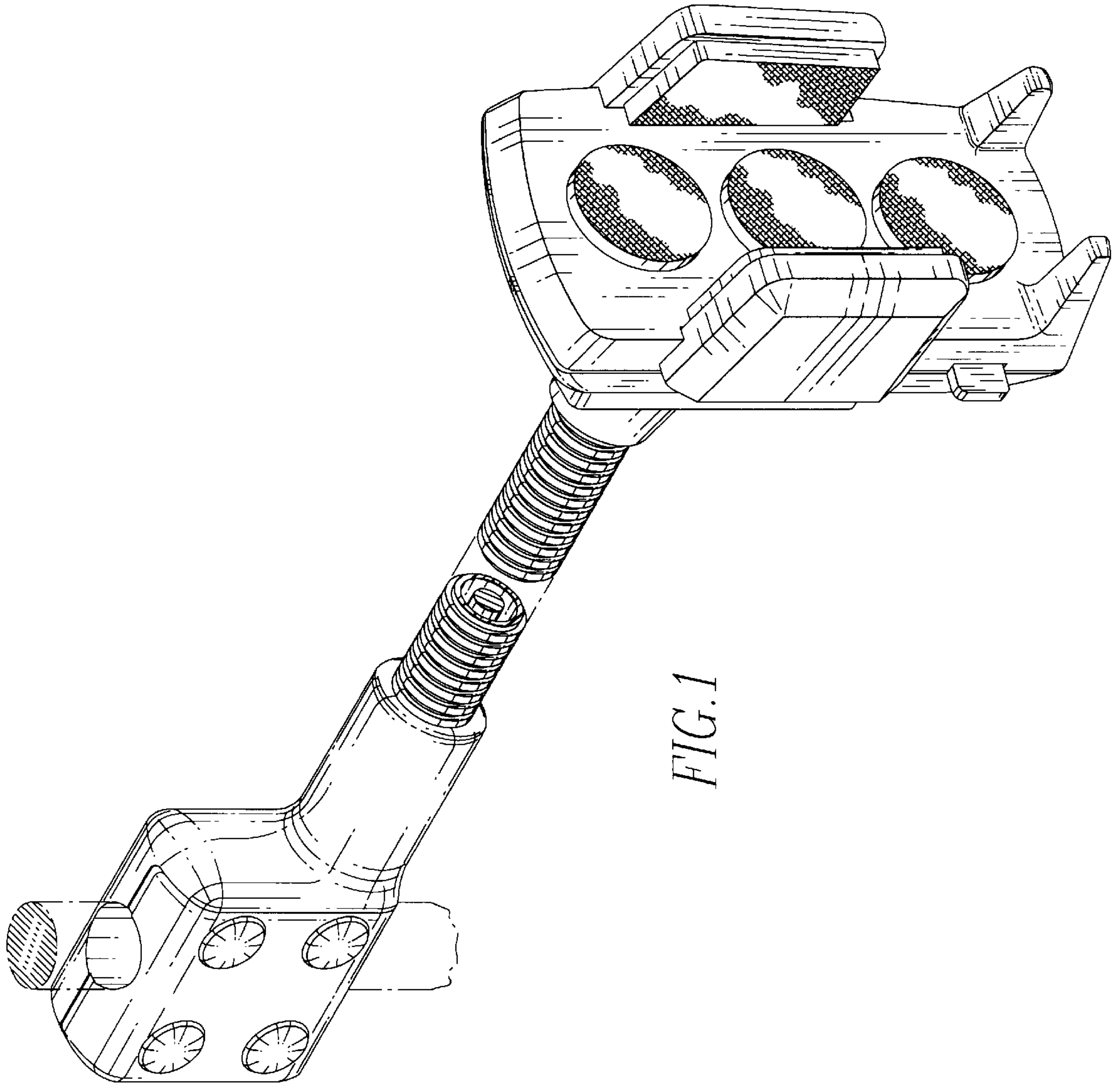


FIG. 1

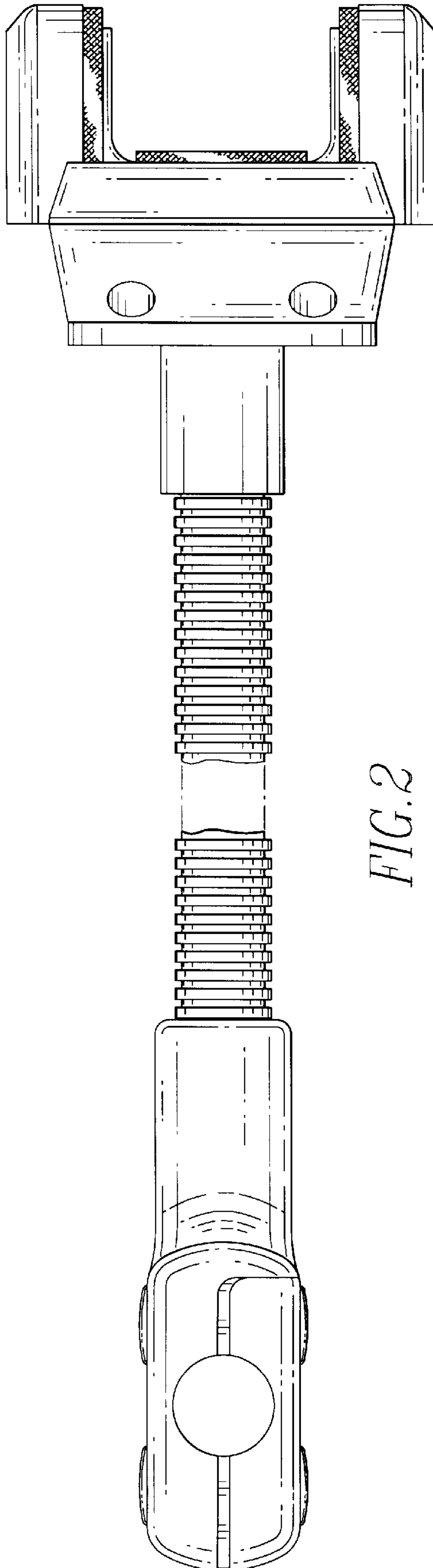


FIG. 2

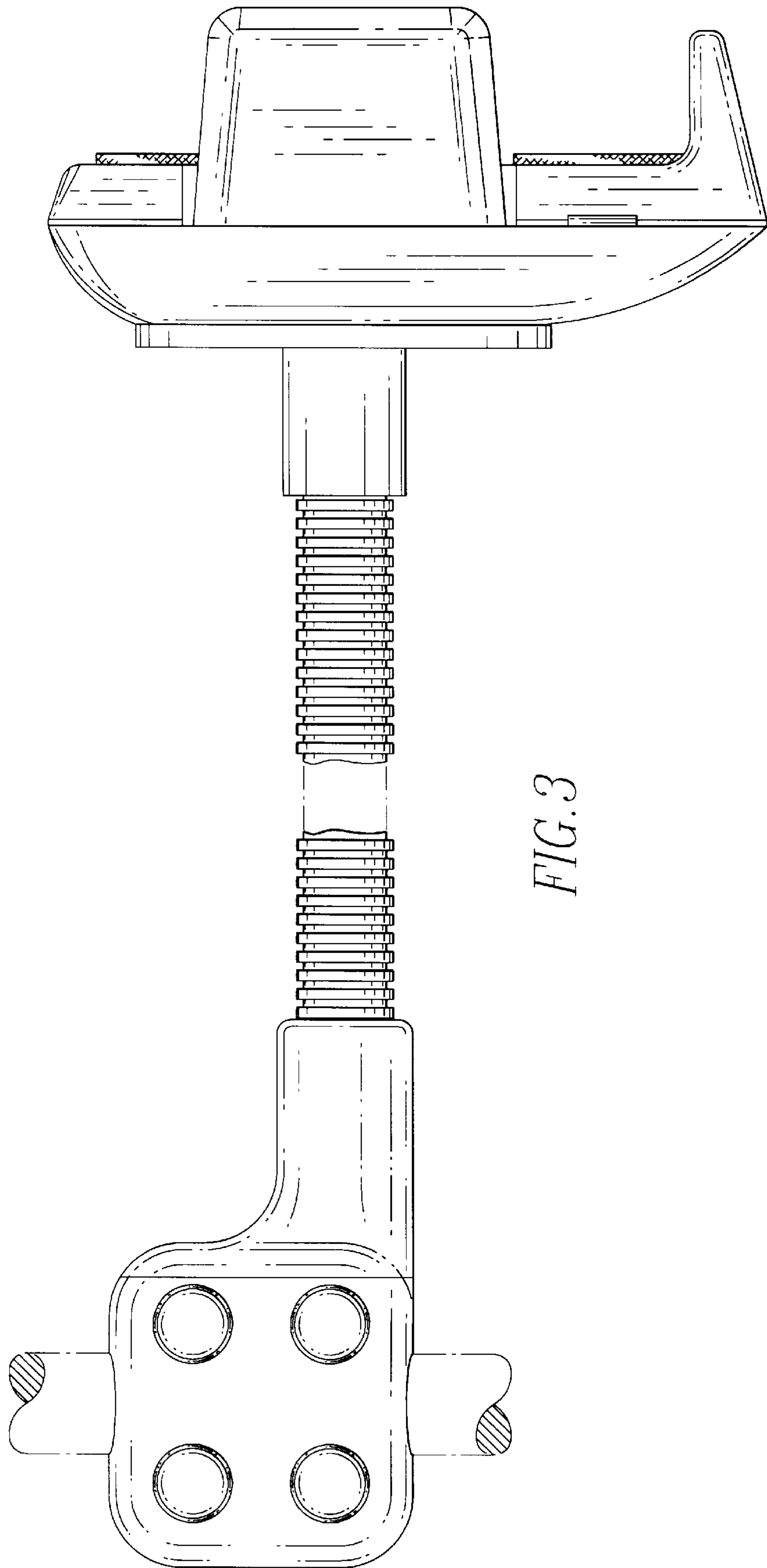


FIG. 3

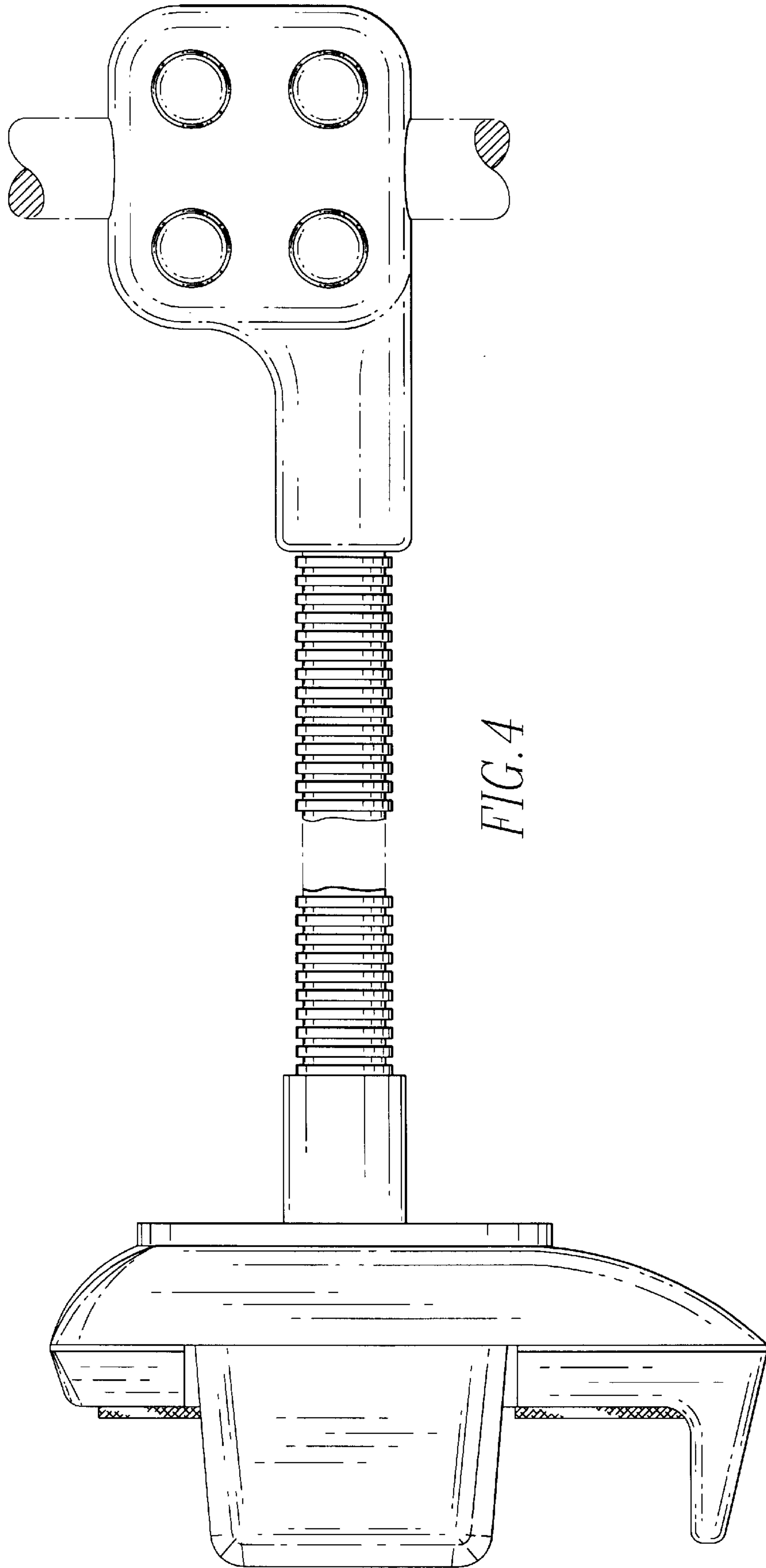


FIG. 4

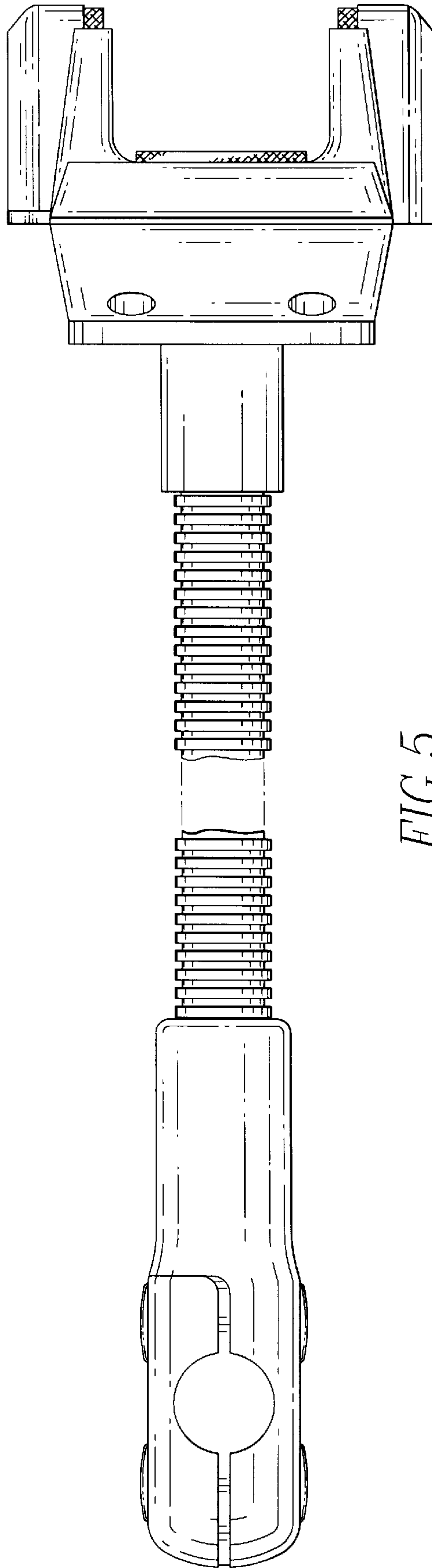


FIG. 5

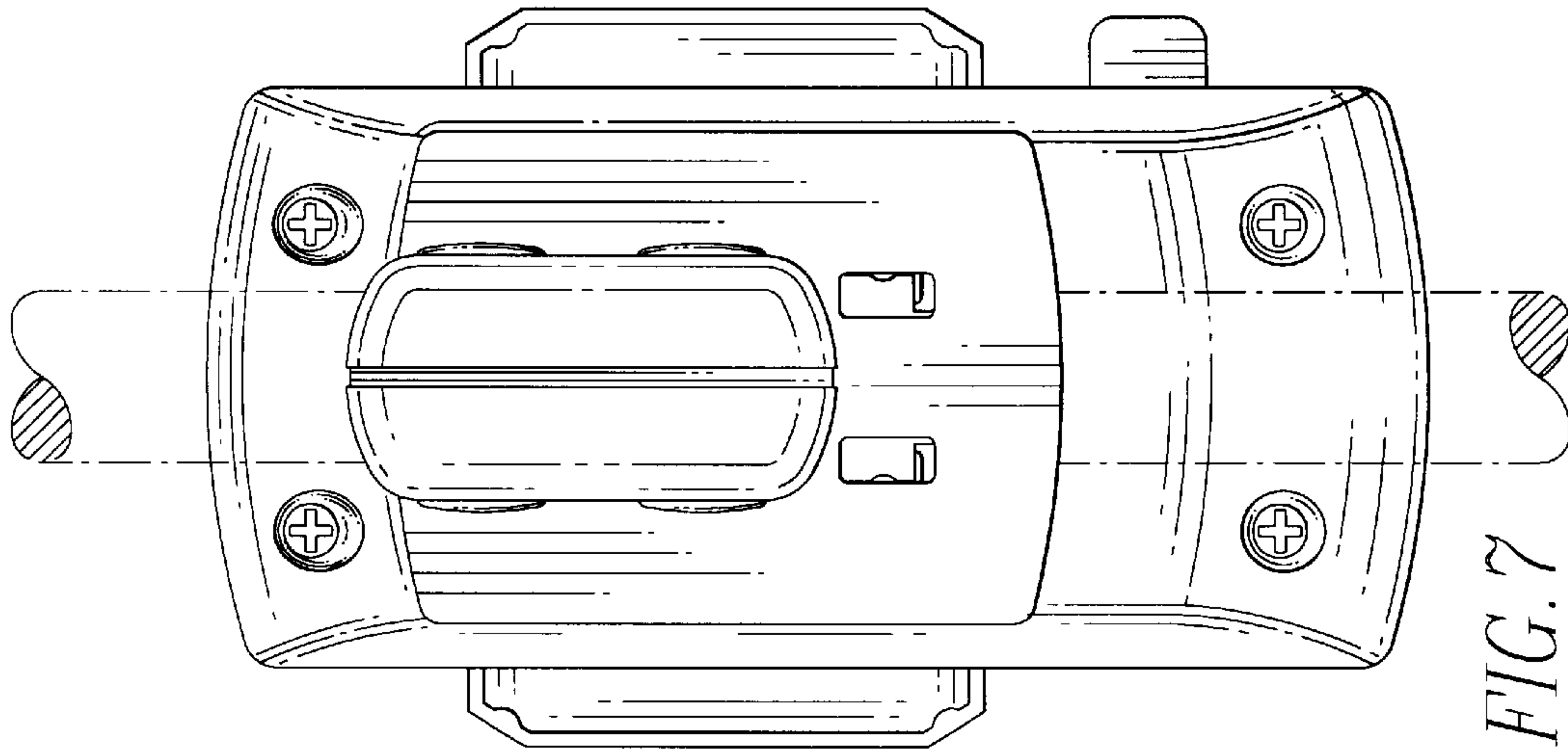


FIG. 7

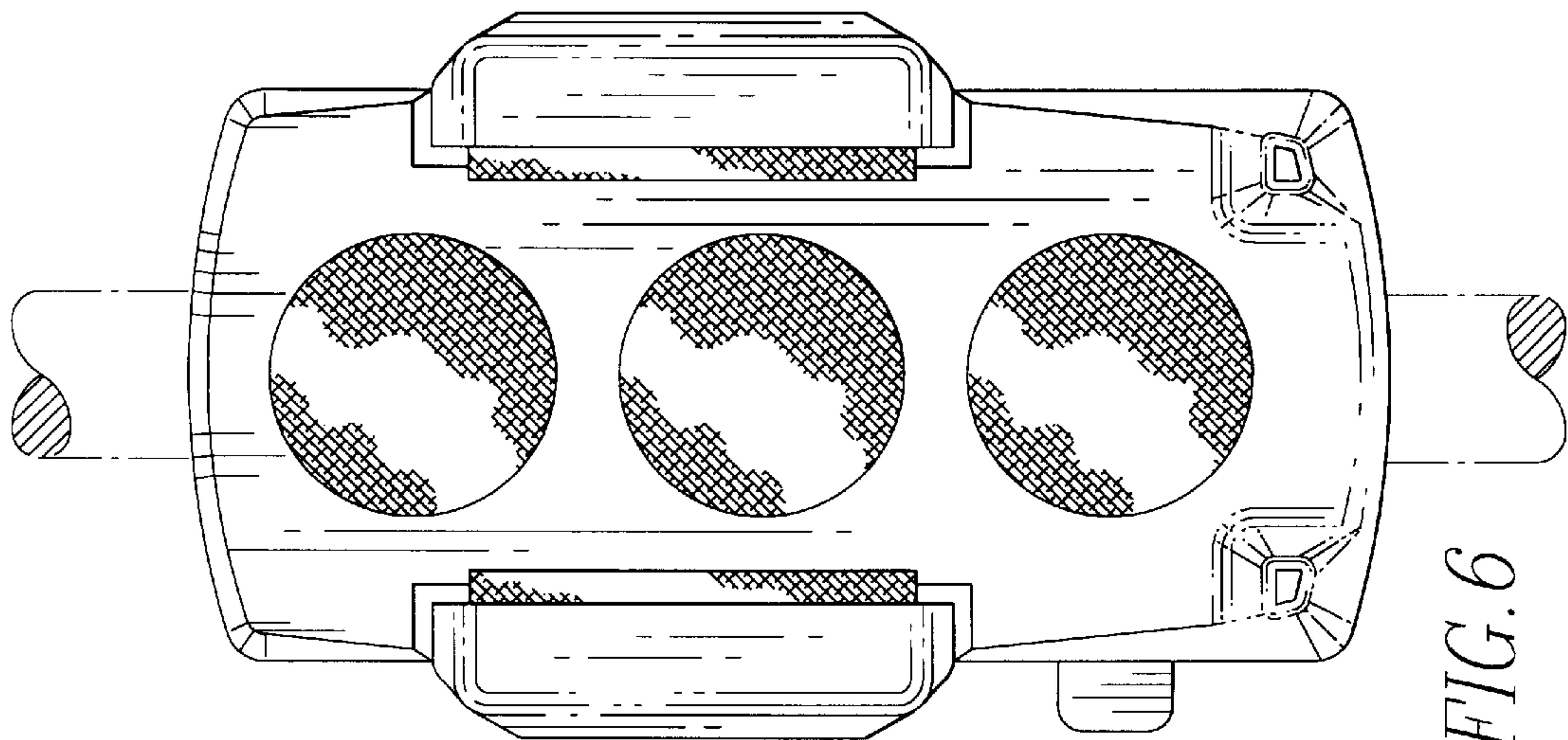


FIG. 6