



US00D415768S

**United States Patent** [19]  
**Howell**

[11] **Patent Number: Des. 415,768**  
[45] **Date of Patent: \*\* Oct. 26, 1999**

[54] **HOLDER FOR FLAT SCREEN MONITORS**

[76] Inventor: **Richard J. Howell**, 209 Dewey Hill Rd., Stowe, Vt. 05672

[\*\*] Term: **14 Years**

[21] Appl. No.: **29/053,283**

[22] Filed: **Apr. 10, 1996**

[51] **LOC (6) Cl.** ..... **14-03**

[52] **U.S. Cl.** ..... **D14/239; D14/114**

[58] **Field of Search** ..... D14/113, 114, D14/124-134, 238, 239, 251, 299; D8/349, 373, 374; D6/407, 310, 495; 248/917-924

[56] **References Cited**

**U.S. PATENT DOCUMENTS**

- D. 295,415 4/1988 Thies et al. .... D14/114
- D. 357,468 4/1995 Rodd ..... D14/113
- D. 367,477 2/1996 Rosen ..... D14/114

*Primary Examiner*—Raphael Barkai  
*Assistant Examiner*—Richelle Shelton

[57] **CLAIM**

The ornamental design for a holder for flat screen monitors, as shown and described.

**DESCRIPTION**

FIG. 1 is a front, right perspective view of a holder for flat screen monitors showing my new design, the flat screen monitor shown in broken lines is for illustrative purposes only and forms no part of the claimed design;

FIG. 2 is a front elevational view of FIG. 1;

FIG. 3 is a side elevational view of FIG. 1;

FIG. 4 is a rear elevational view of FIG. 1;

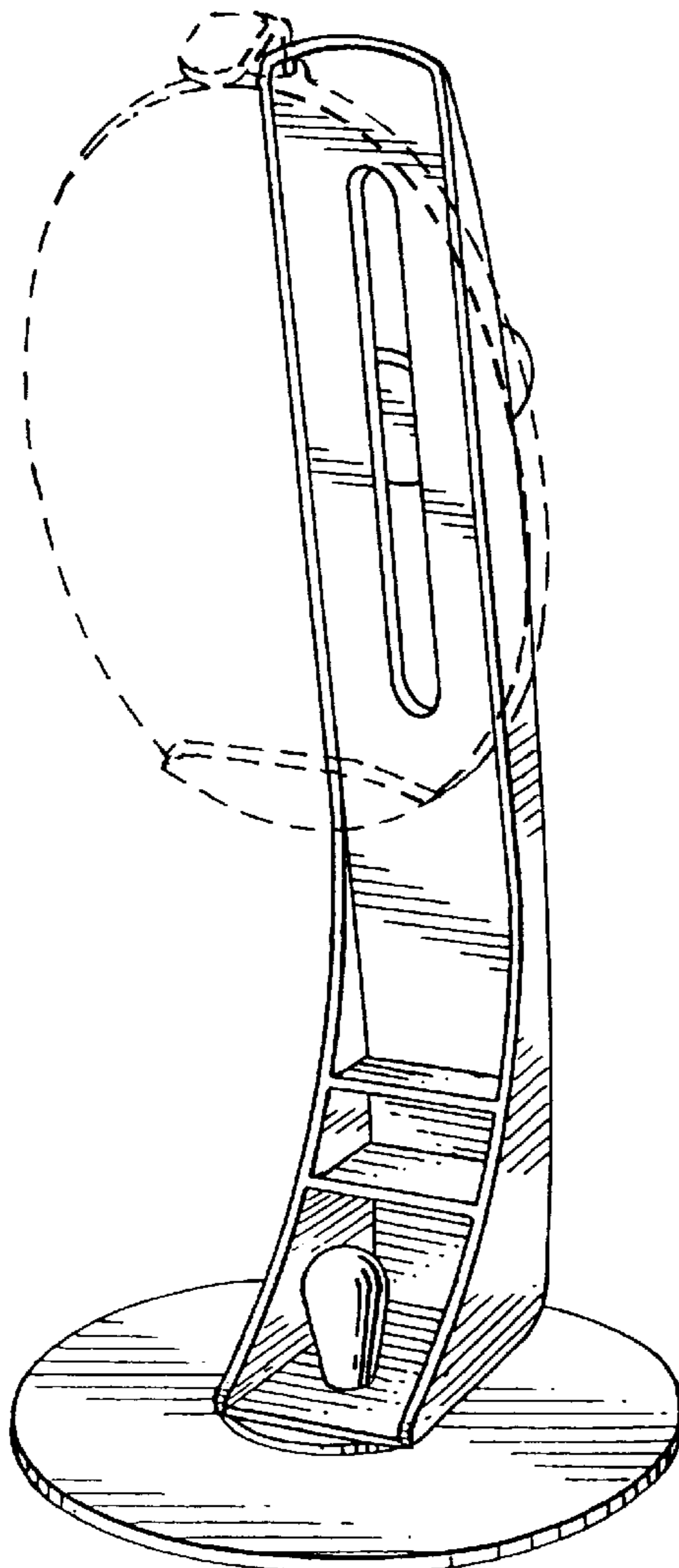
FIG. 5 is a top plan view of FIG. 1;

FIG. 6 is a front, right perspective view of the holder for flat screen monitors, showing an alternate shaped flat screen monitor in broken lines for illustrative purposes only and forming no part of the claimed design;

FIG. 7 is a side elevational view of FIG. 6; and,

FIG. 8 is a side elevational view of FIG. 6, showing an alternate rear casing of the flat screen monitor.

**1 Claim, 8 Drawing Sheets**



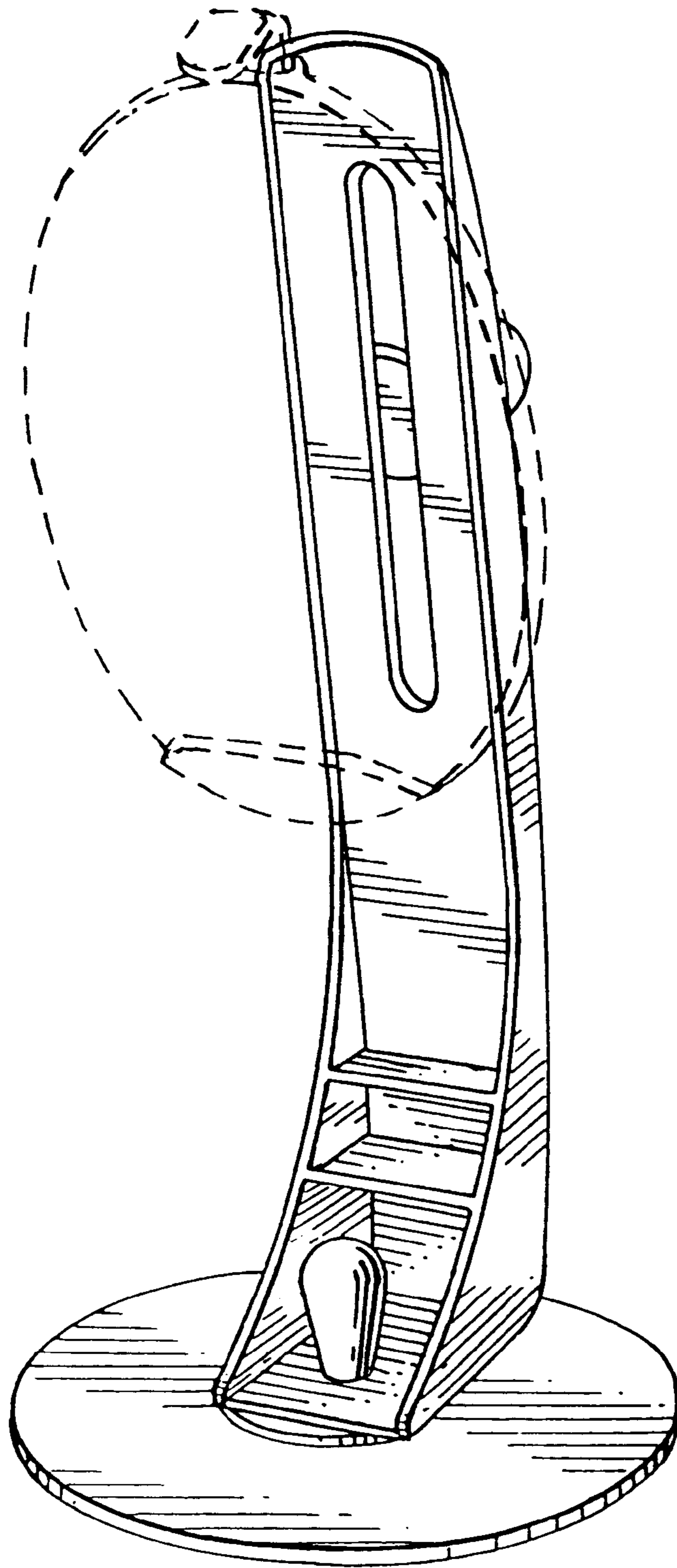
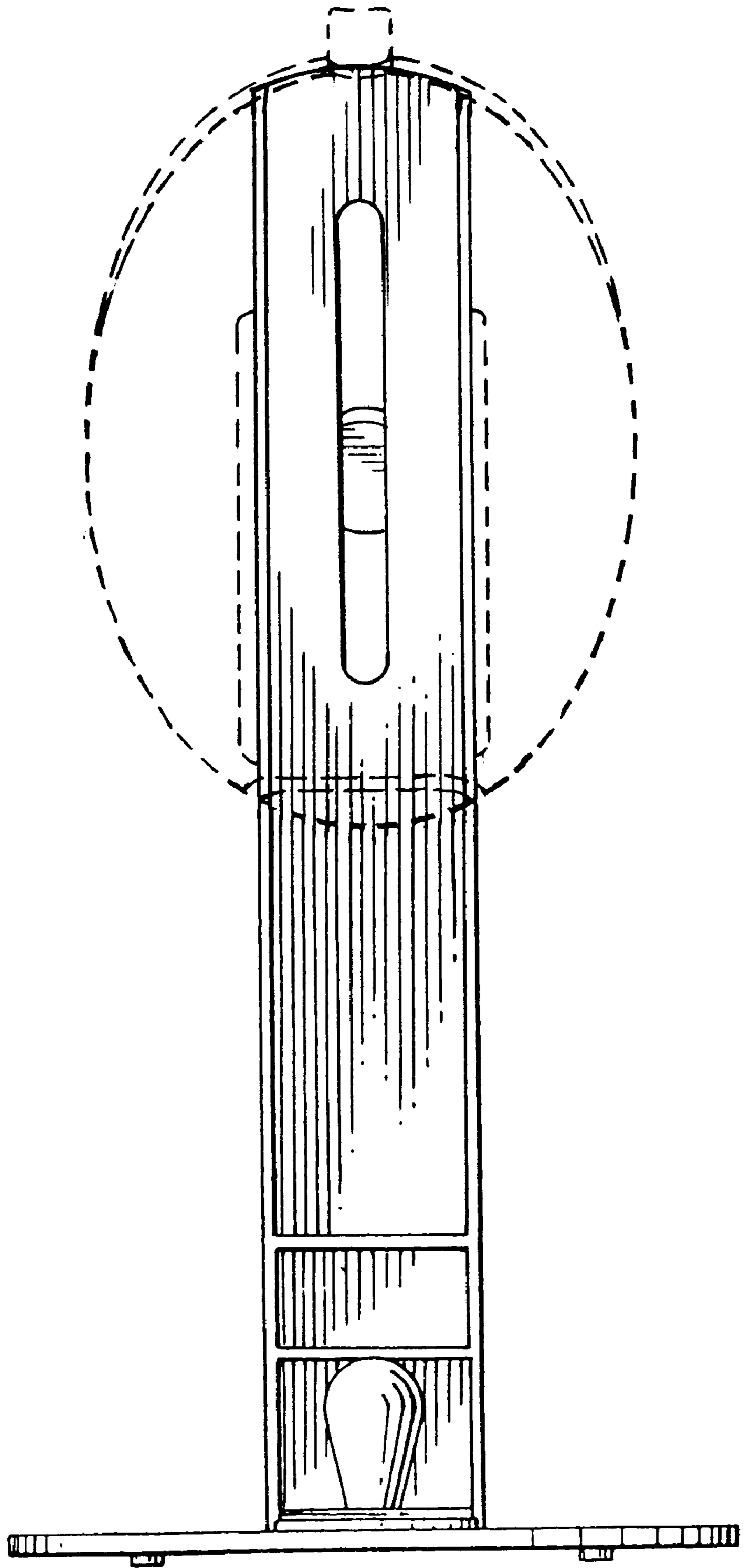


FIG. 1



**FIG. 2**

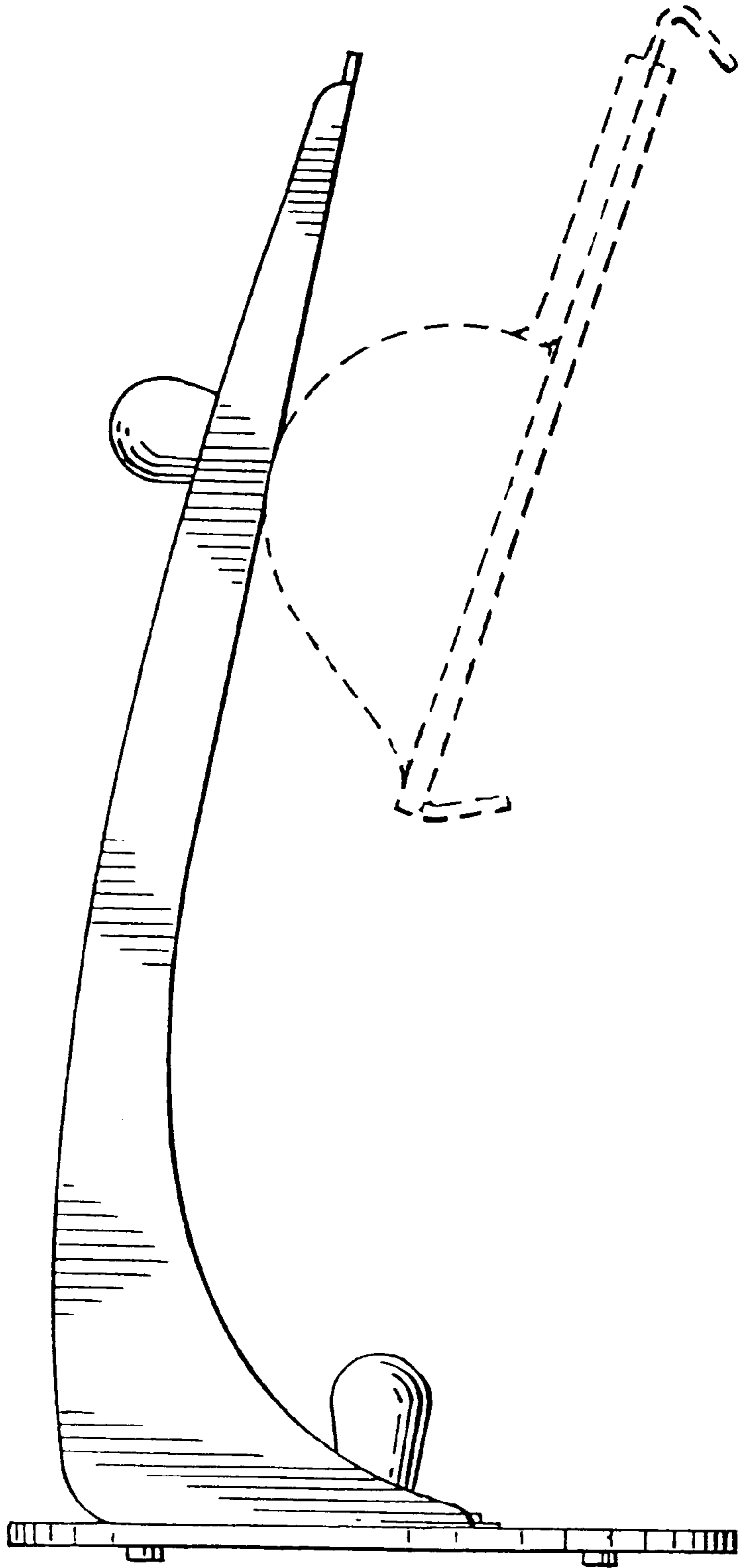
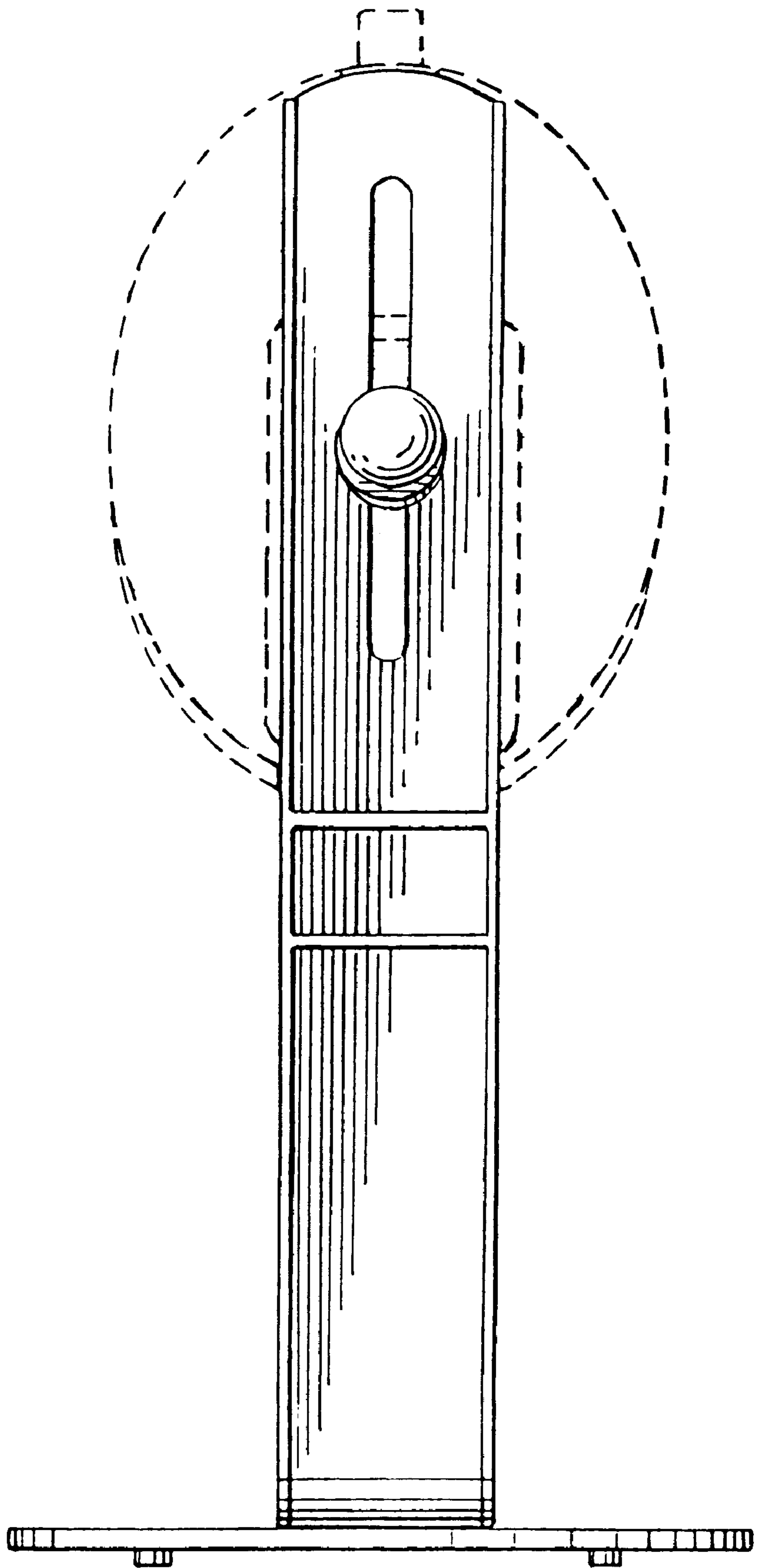
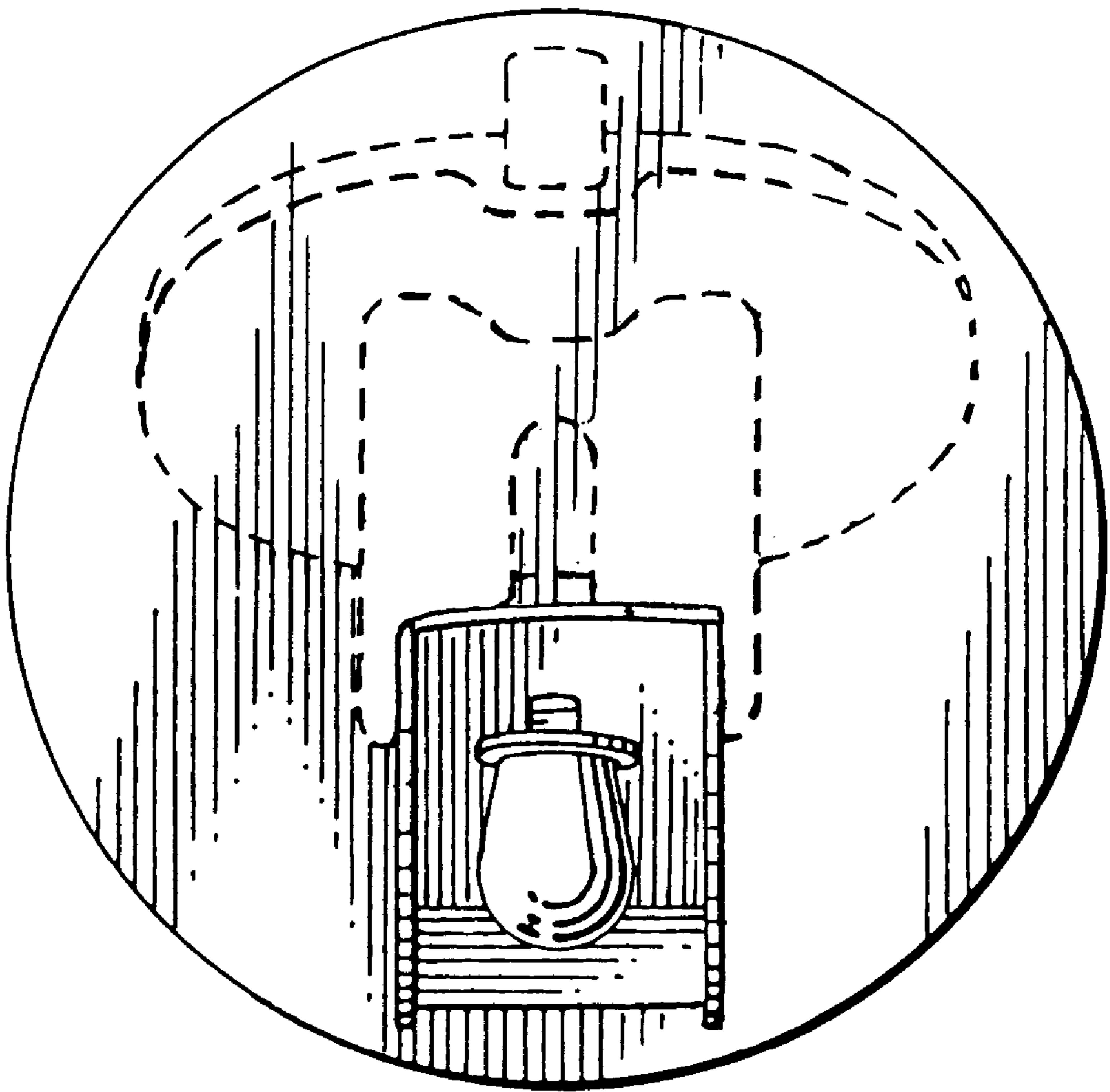


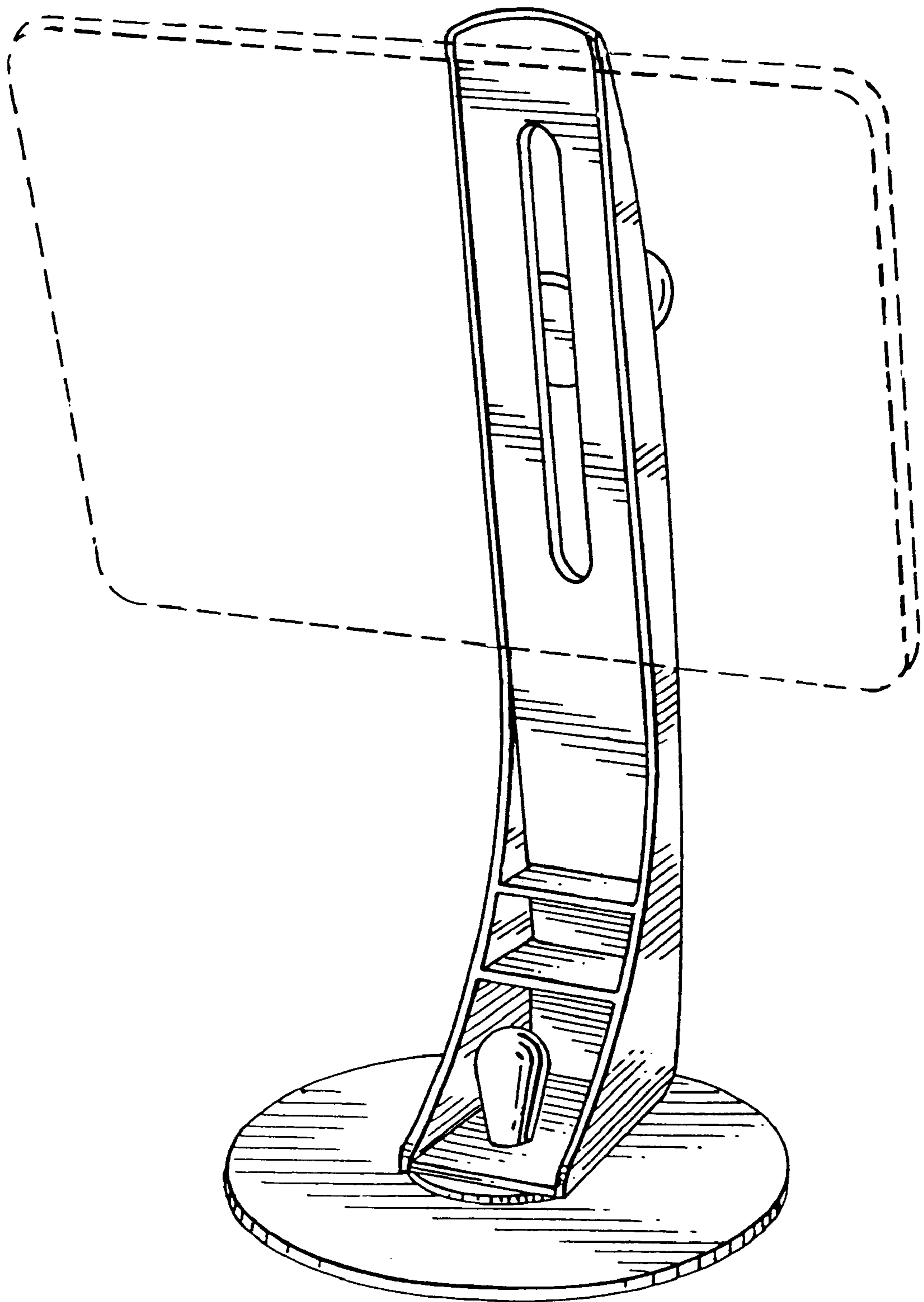
FIG. 3



**FIG. 4**

**FIG. 5**





**FIG. 6**

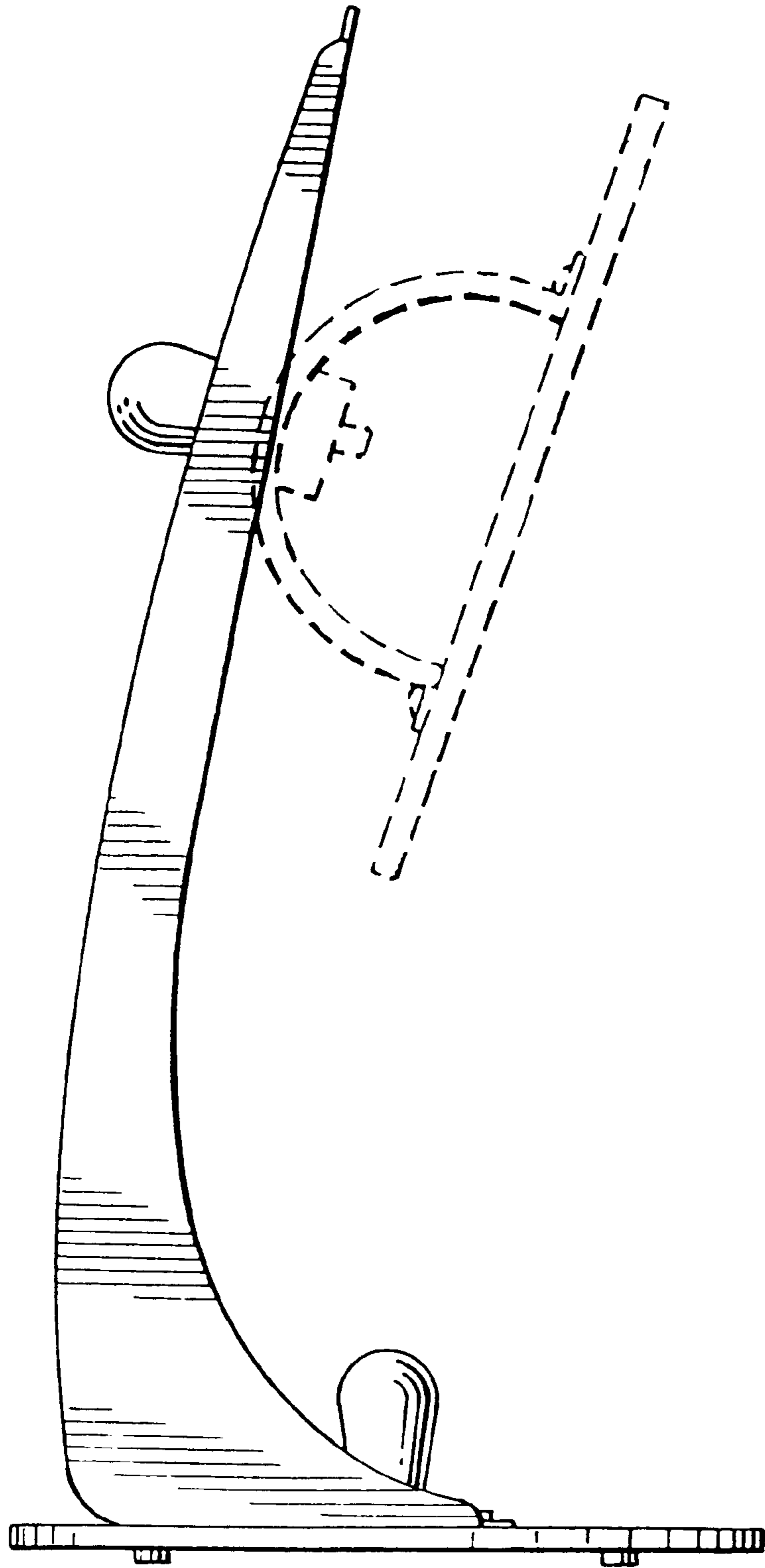


FIG. 7



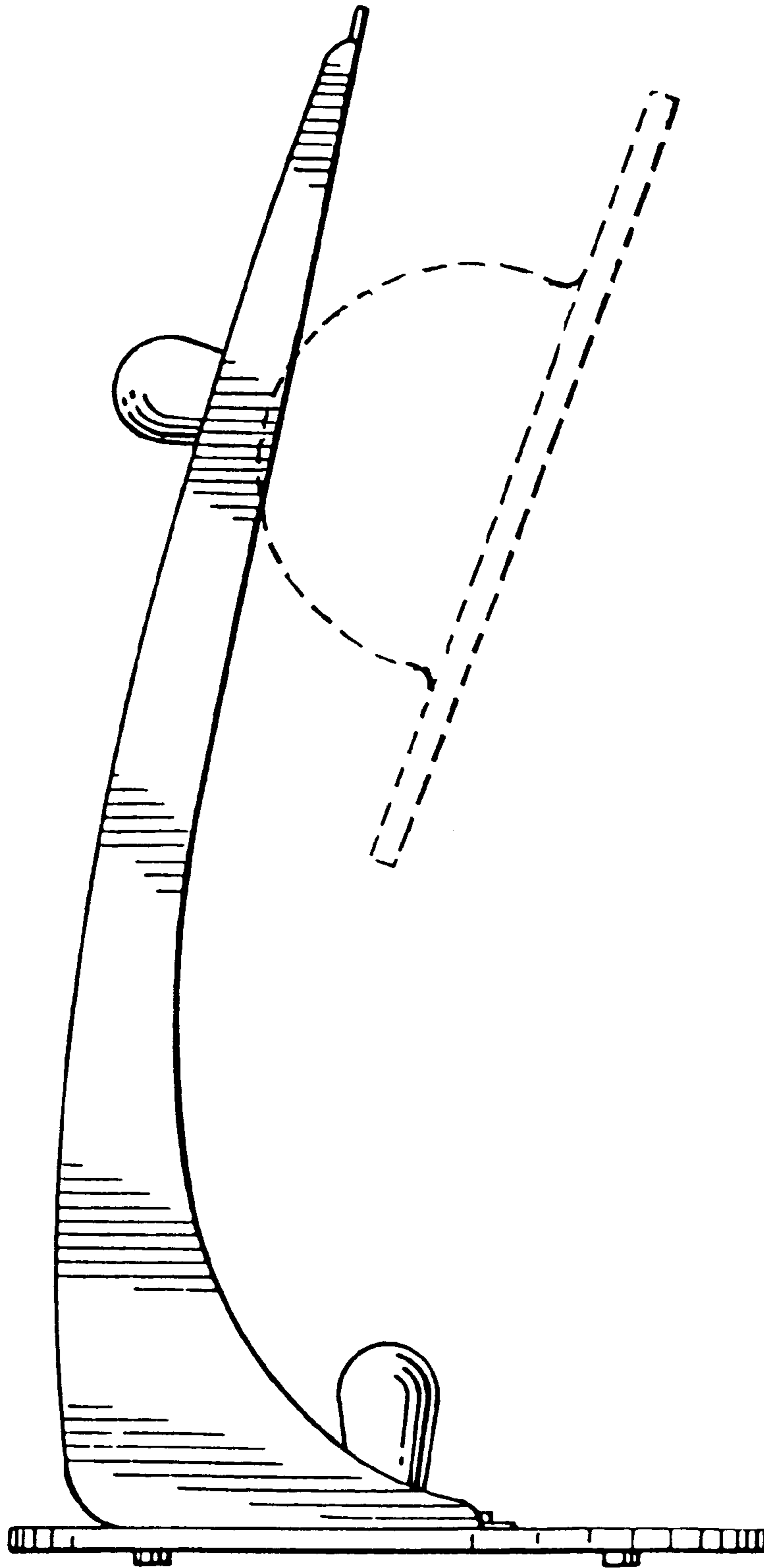


FIG. 8