



US00D415753S

**United States Patent** [19]  
**Kirihara**

[11] **Patent Number: Des. 415,753**

[45] **Date of Patent: \*\* Oct. 26, 1999**

[54] **CASE FOR A DISC CARTRIDGE** 4,672,497 6/1987 Uead ..... 360/132

[75] Inventor: **Kazushi Kirihara**, Tokyo, Japan

[73] Assignee: **Sony Corporation**, Tokyo, Japan

[\*\*] Term: **14 Years**

[21] Appl. No.: **29/083,824**

[22] Filed: **Feb. 19, 1998**

[30] **Foreign Application Priority Data**

Aug. 20, 1997 [JP] Japan ..... 9-64977

[51] **LOC (6) Cl.** ..... **14-99**

[52] **U.S. Cl.** ..... **D14/121**

[58] **Field of Search** ..... D14/120-123,  
D14/114, 299; 360/132, 135, 137; 242/900,  
901, DIG. 1

[56] **References Cited**

**U.S. PATENT DOCUMENTS**

D. 245,020 7/1977 Crayton et al. .... D14/121

D. 255,567 6/1980 Beitler ..... D14/121 X

D. 277,567 2/1985 Ogata et al. .... D14/121

D. 277,568 2/1985 Ogata et al. .... D14/121

D. 398,603 9/1998 Aoki ..... D14/121

**OTHER PUBLICATIONS**

Catalog "Accessories 62/Value Up" *Sony* p. 164 (Nov. 1997).

*Primary Examiner*—Prabhakar Deshmukh  
*Attorney, Agent, or Firm*—Foley & Lardner

[57] **CLAIM**

The ornamental design for a case for a disc cartridge, as shown and described.

**DESCRIPTION**

FIG. 1 is a perspective view of a case for a disc cartridge showing my new design;  
FIG. 2 is a top plan view thereof;  
FIG. 3 is a left side elevational view thereof;  
FIG. 4 is a front elevational view thereof;  
FIG. 5 is a bottom plan view thereof;  
FIG. 6 is a right side elevational view thereof;  
FIG. 7 is a rear elevational view thereof; and,  
FIG. 8 is a perspective view thereof; similar to FIG. 1 wherein the discs shown in broken lines are for illustrative purpose only and forms no part of the claimed design.

**1 Claim, 4 Drawing Sheets**

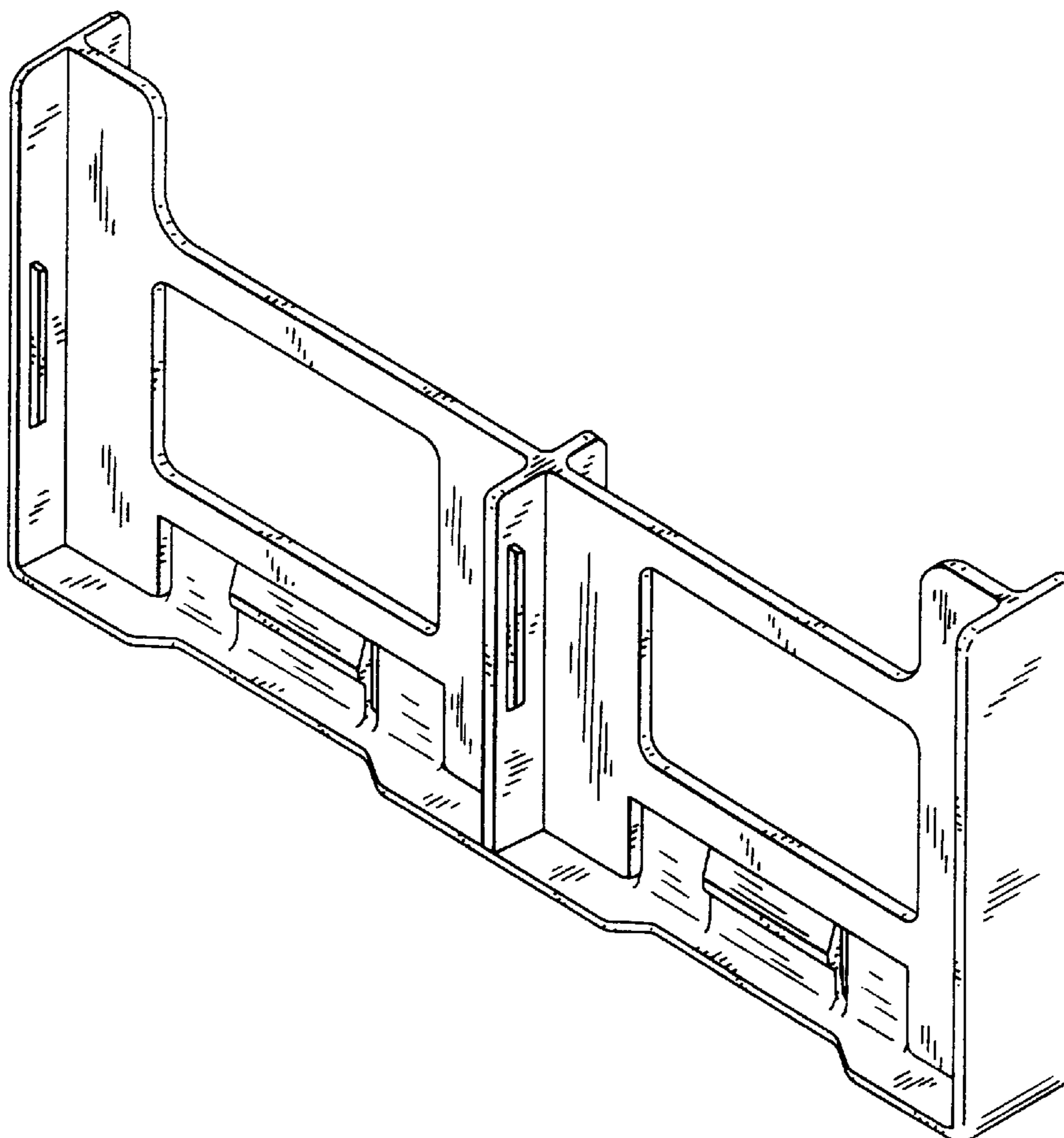


FIG. 1

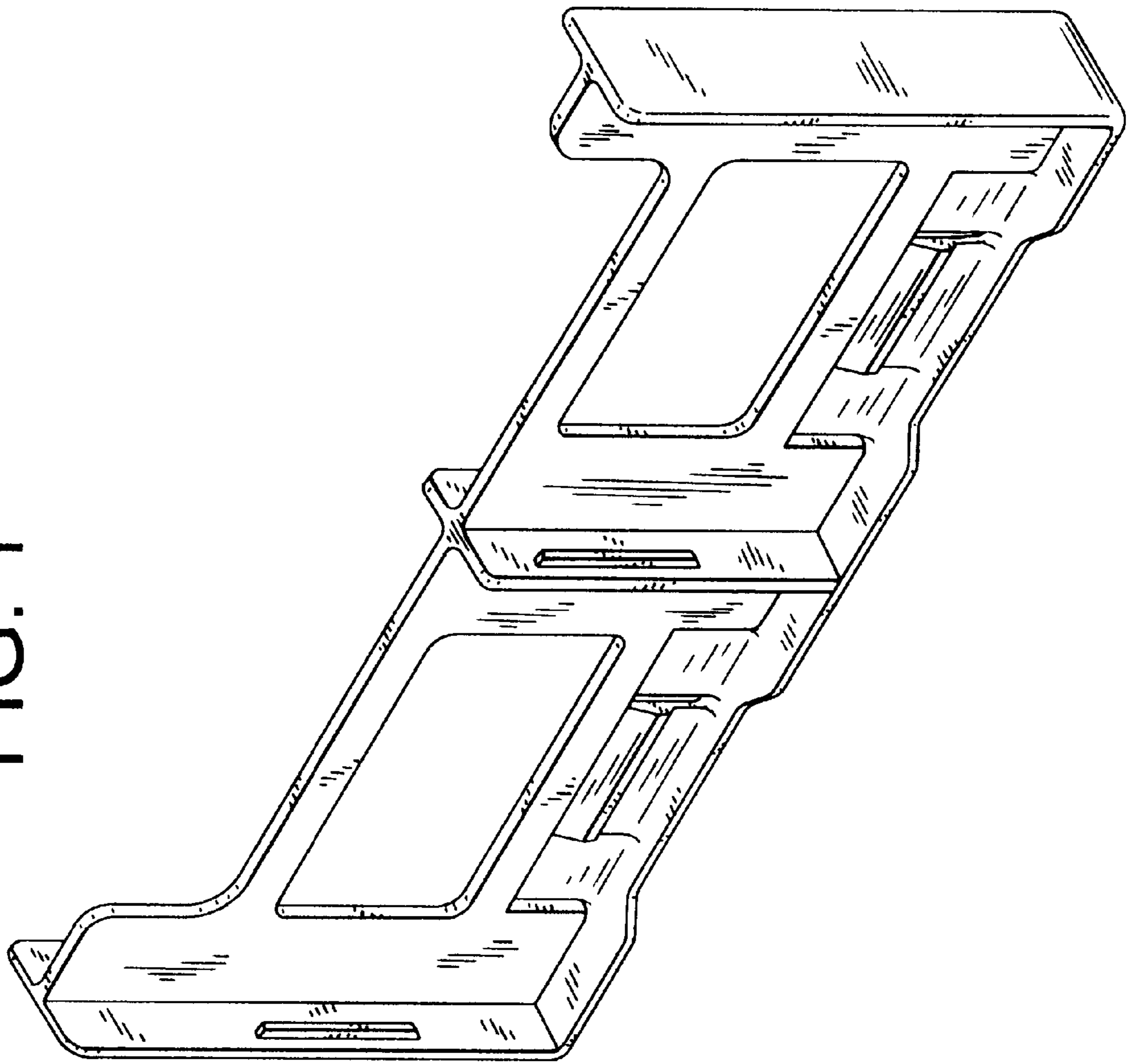


FIG. 2

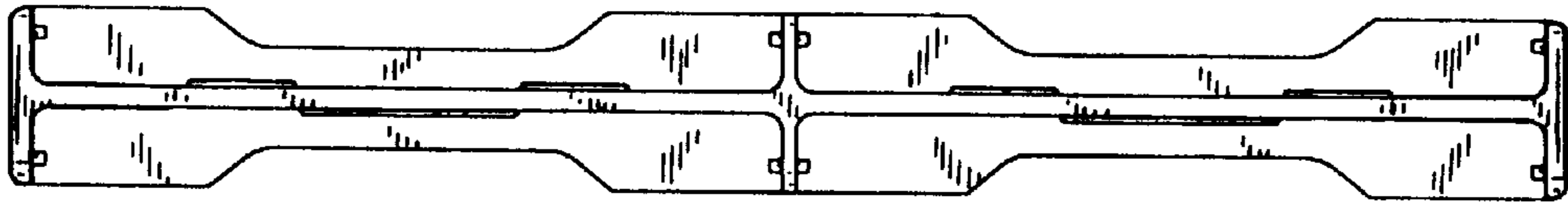


FIG. 3

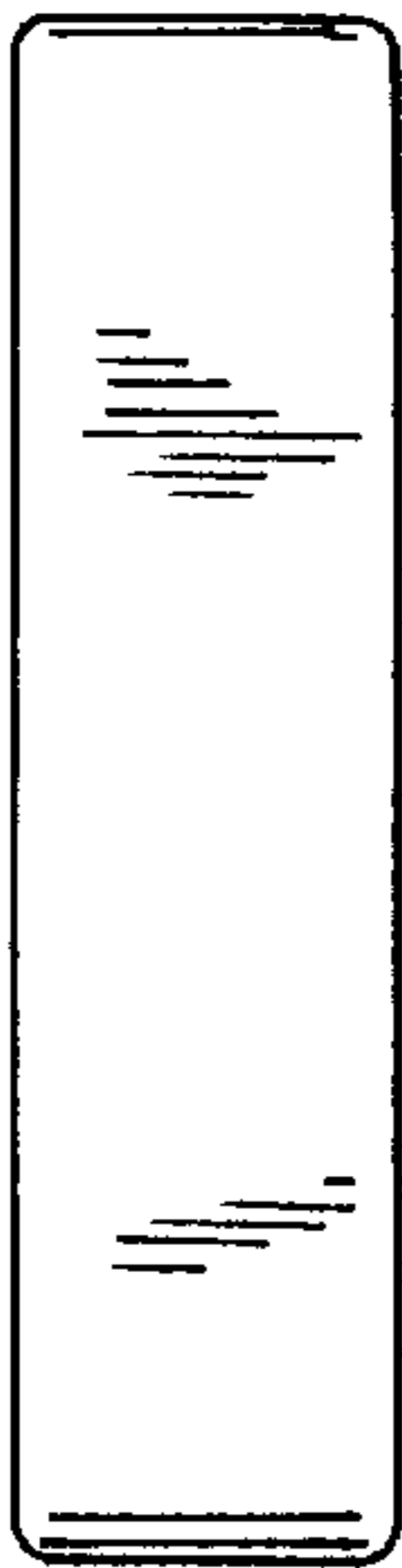


FIG. 6



FIG. 5

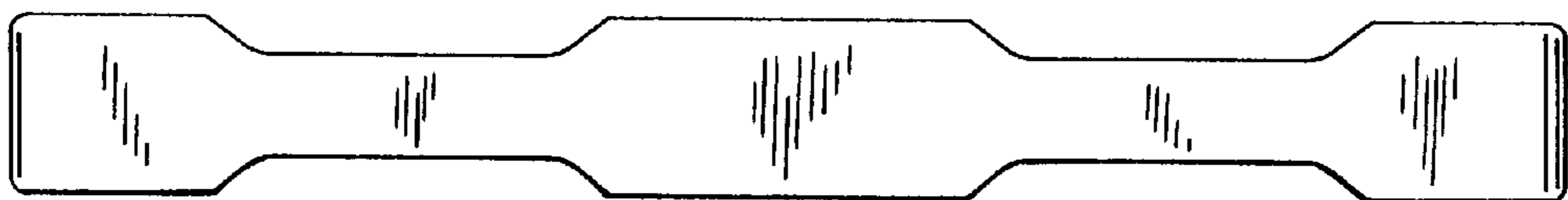


FIG. 4

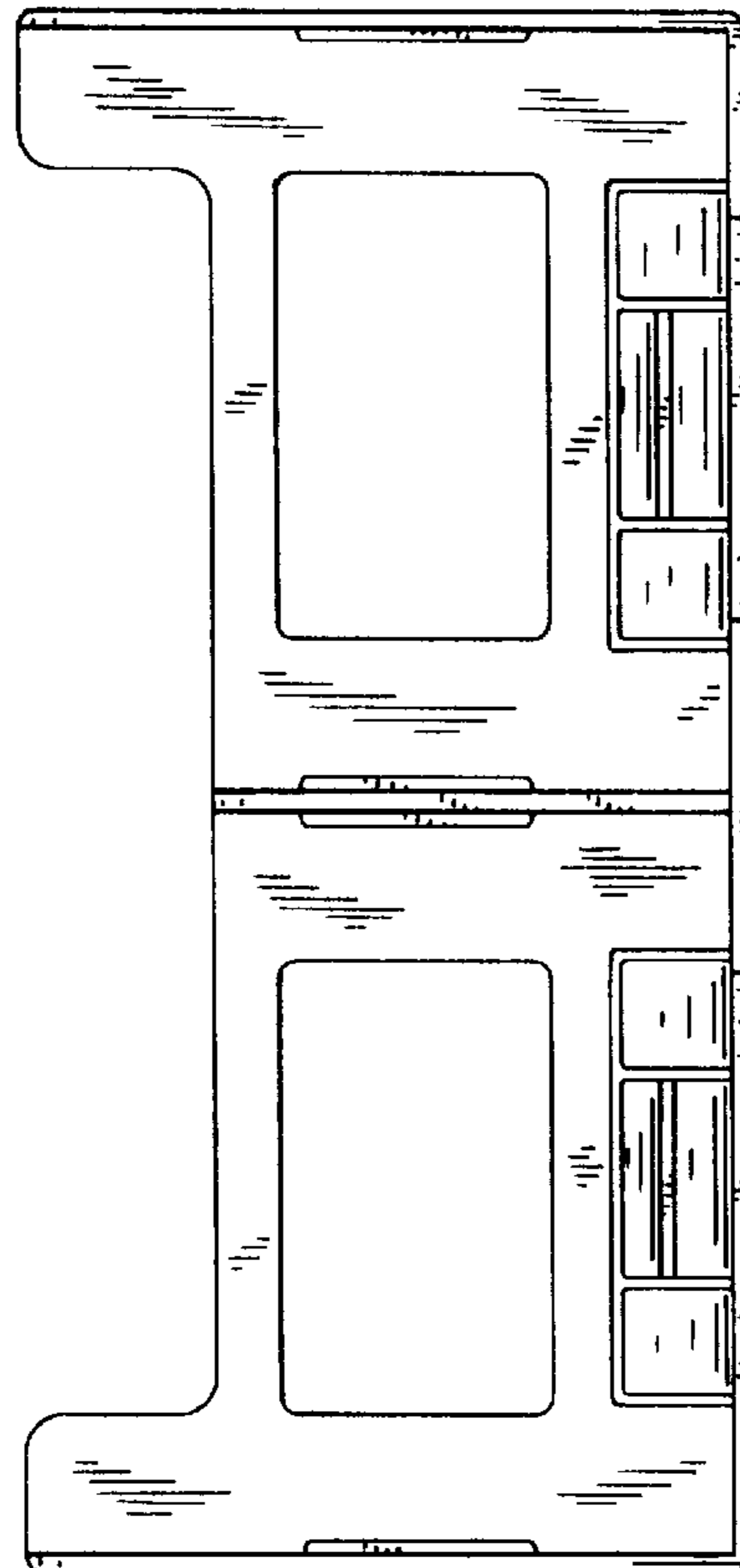


FIG. 7

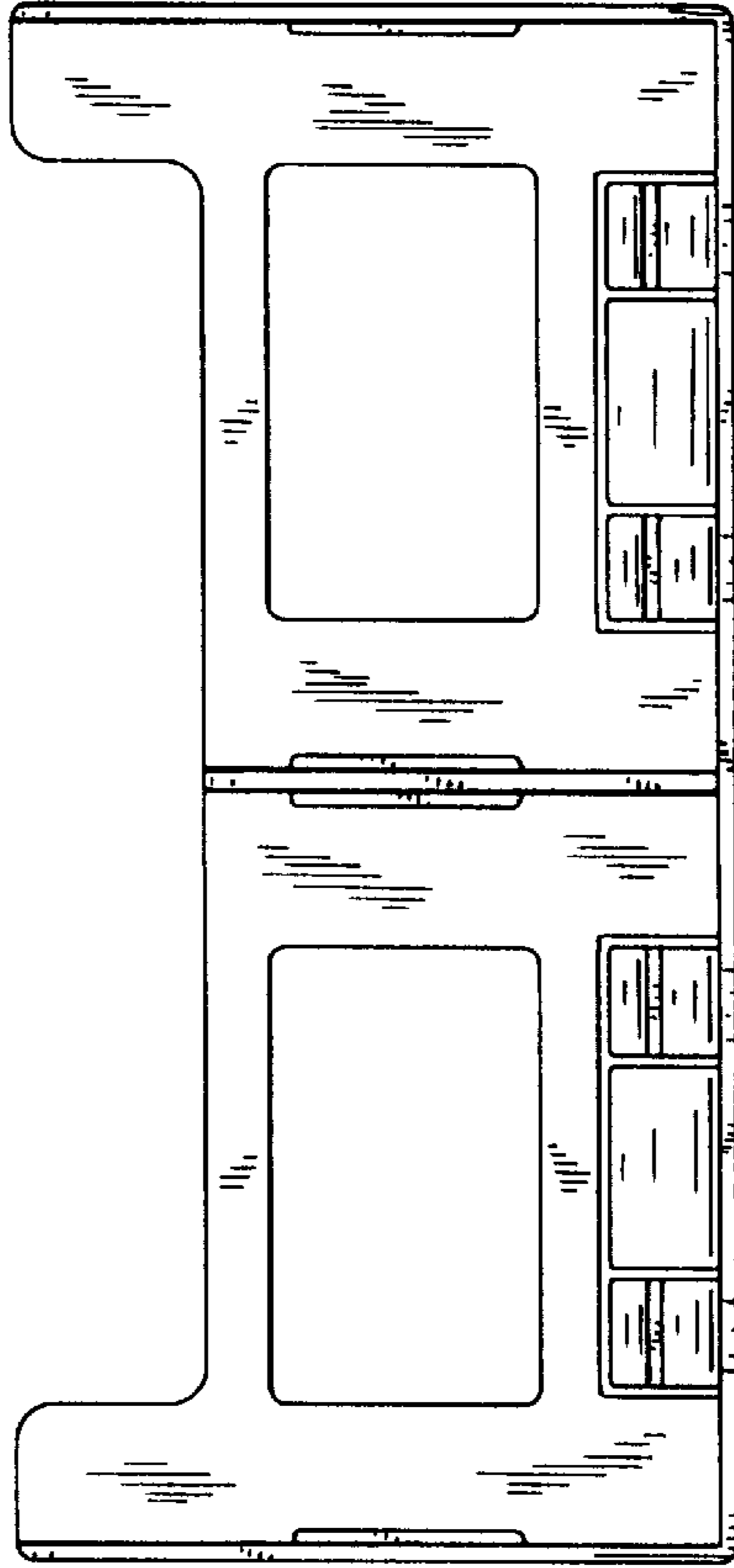


FIG. 8

