



US00D415752S

United States Patent [19]

Tyler et al.

[11] Patent Number: Des. 415,752

[45] Date of Patent: ** Oct. 26, 1999

[54] CONTROLLER FOR VIDEO GAMES

[75] Inventors: Kelly D. Tyler; Tom Roberts, both of El Cajon, Calif.

[73] Assignee: Mad Catz, Inc., El Cajon, Calif.

[**] Term: 14 Years

[21] Appl. No.: 29/087,623

[22] Filed: May 7, 1998

[51] LOC (6) Cl. 21-01

[52] U.S. Cl. D14/117.9

[58] Field of Search D14/117.1, 117.5, D14/117.9; D21/324, 328, 333; 273/148 B; 463/1, 30-35, 38, 46, 47

[56] References Cited

U.S. PATENT DOCUMENTS

D. 363,320	10/1995	Barthelemy et al.	D14/117.9
D. 375,326	11/1996	Yokoi et al.	D14/117.1
D. 376,826	12/1996	Ashida	D14/117.1
D. 380,783	7/1997	Tyler	D14/117.9
D. 382,603	8/1997	Goto	D14/117.9

D. 398,032	9/1998	Goto	D21/333
4,870,389	9/1989	Ishiwata et al.	273/148 B X
5,184,830	2/1993	Okada et al.	463/46
5,207,426	5/1993	Inoue et al.	463/36

OTHER PUBLICATIONS

HongKong Enterprise, p. 137, Oct. 1994.

Primary Examiner—Prabhakar Deshmukh
Attorney, Agent, or Firm—Charles C. Logan, II

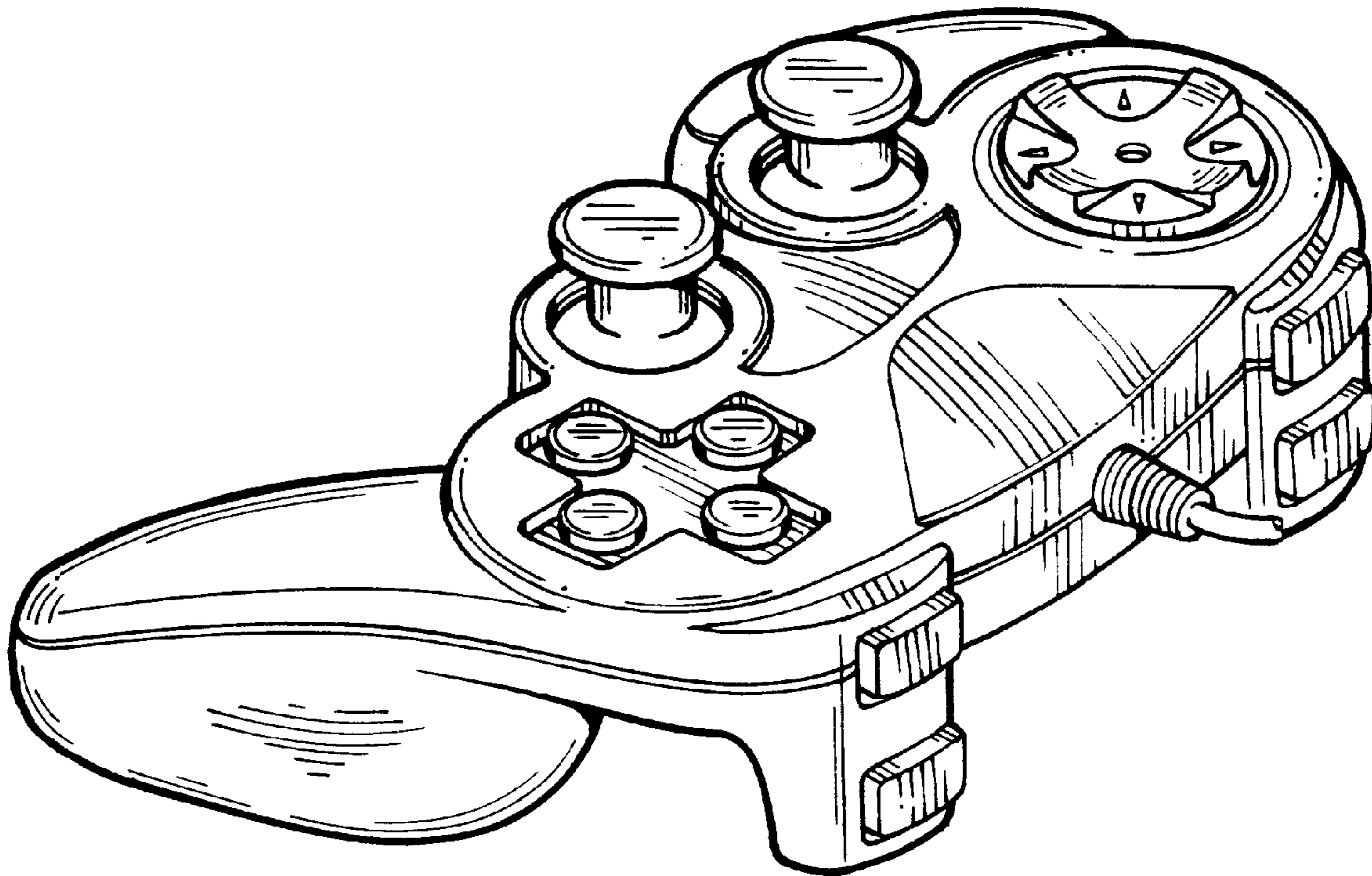
[57] CLAIM

The ornamental design for a controller for video games, as shown and described.

DESCRIPTION

FIG. 1 is a rear perspective view of a controller for video games showing our new design; FIG. 2 is a top plan view thereof; FIG. 3 is a left side elevation view and the right side elevation view is the reverse image thereof; FIG. 4 is a front elevation view thereof; FIG. 5 is a bottom plan view thereof; and, FIG. 6 is a rear elevation view thereof.

1 Claim, 2 Drawing Sheets



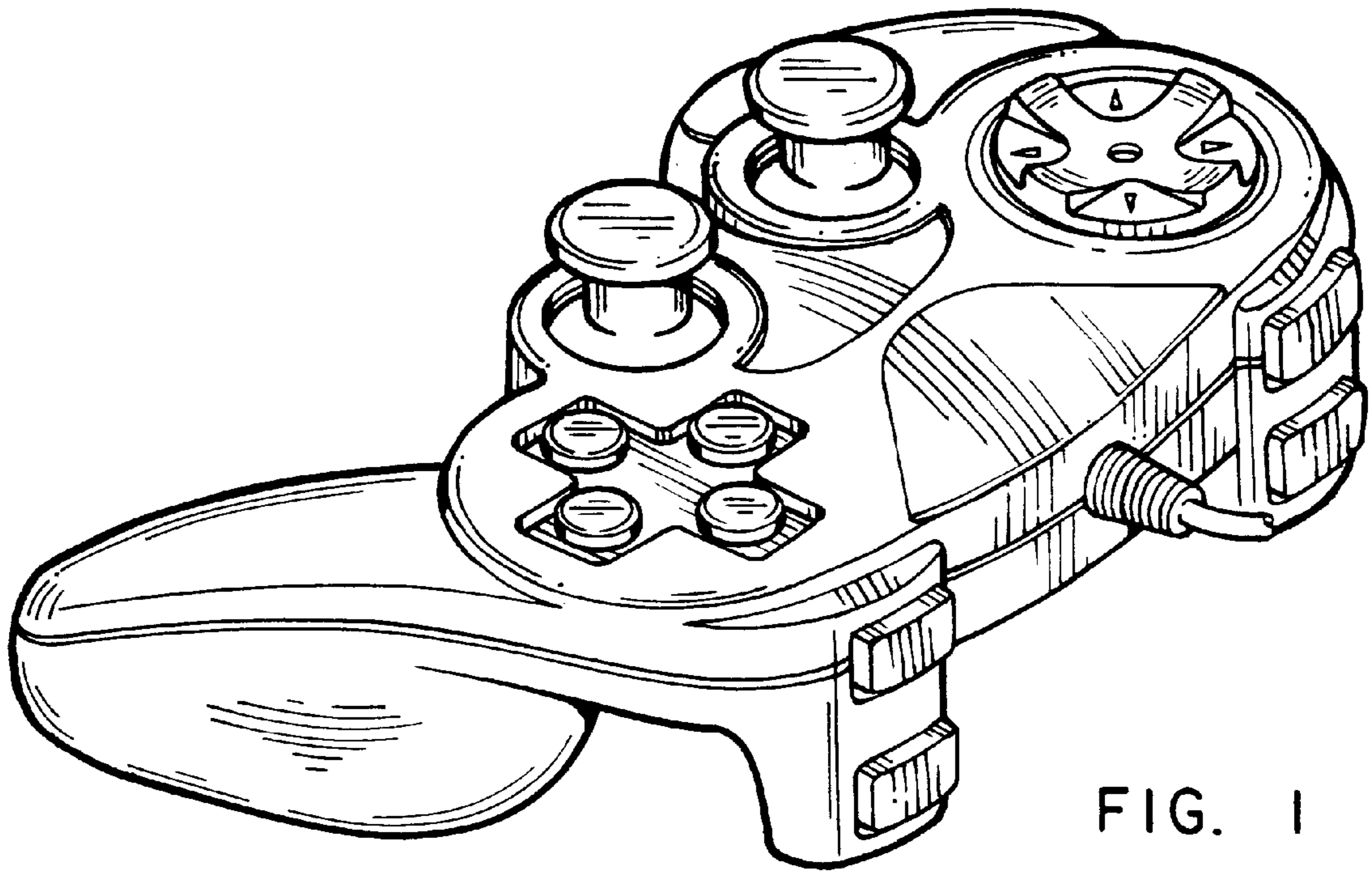


FIG. 1

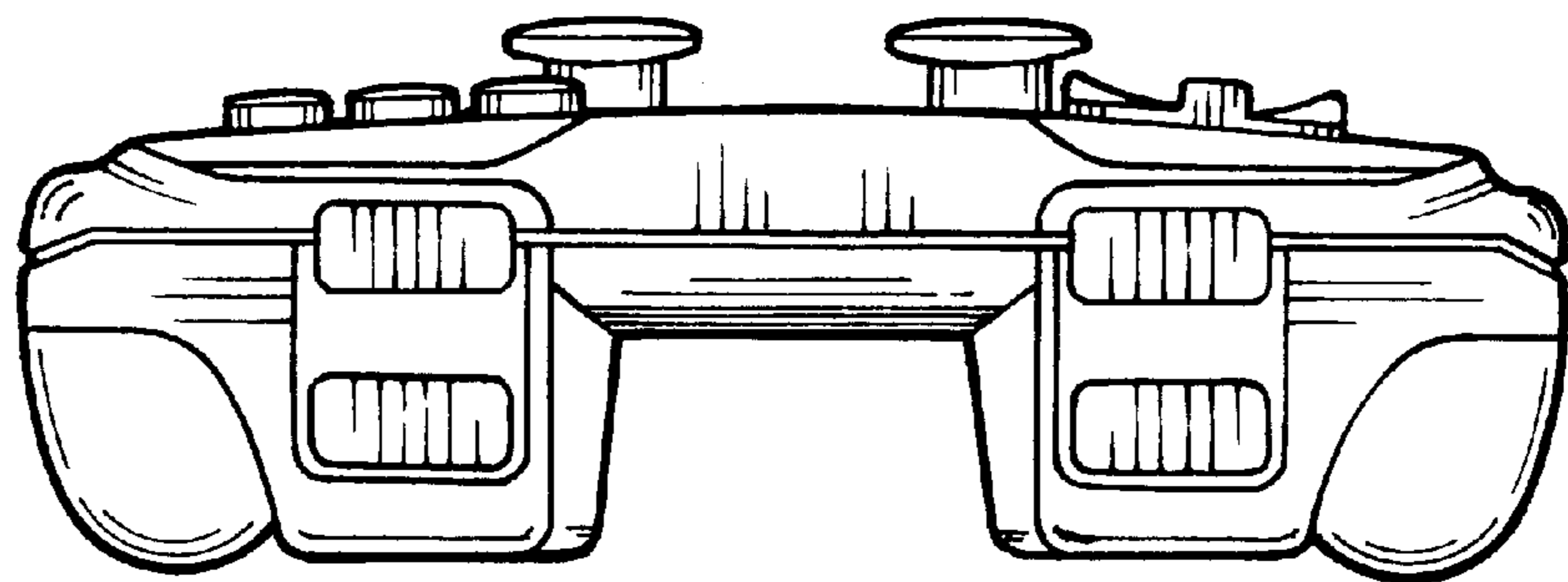


FIG. 6

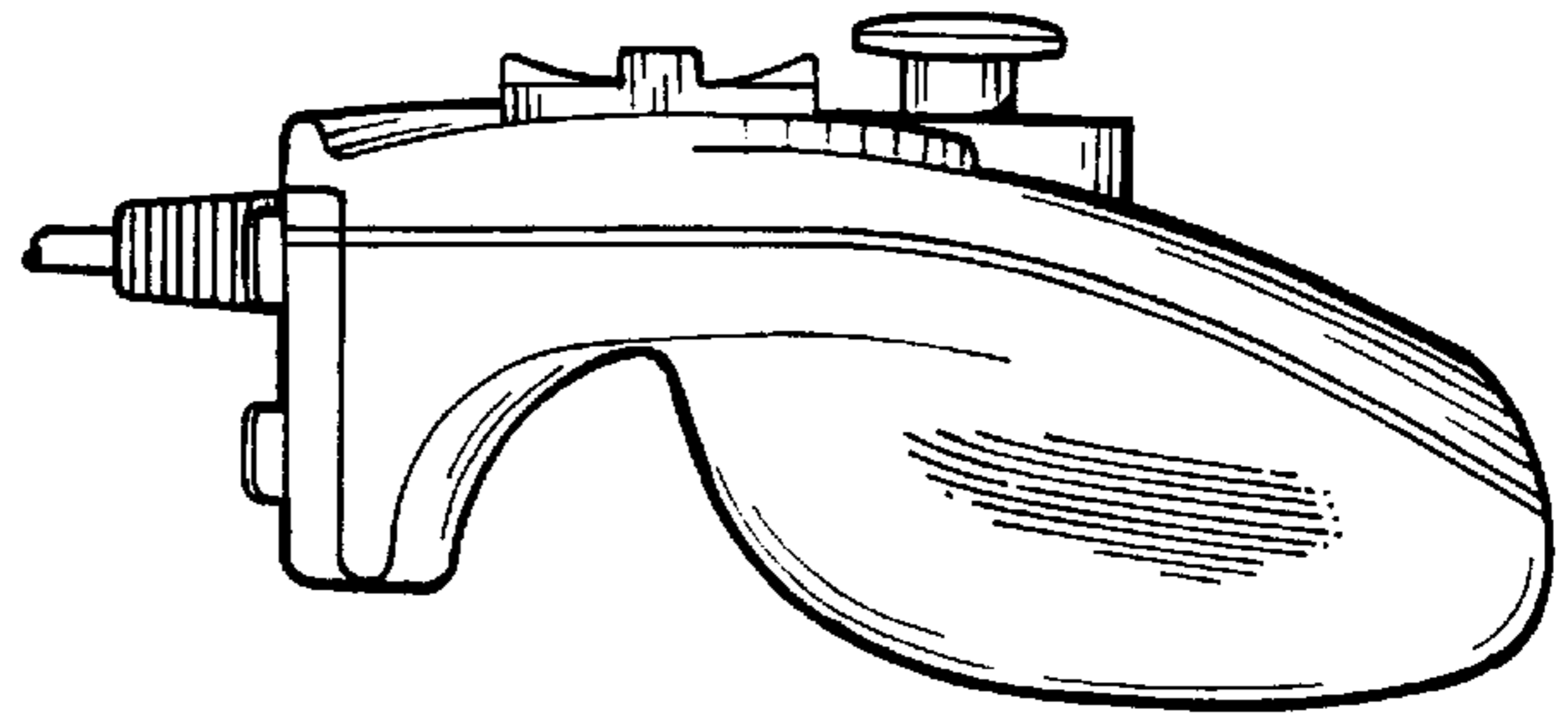


FIG. 3

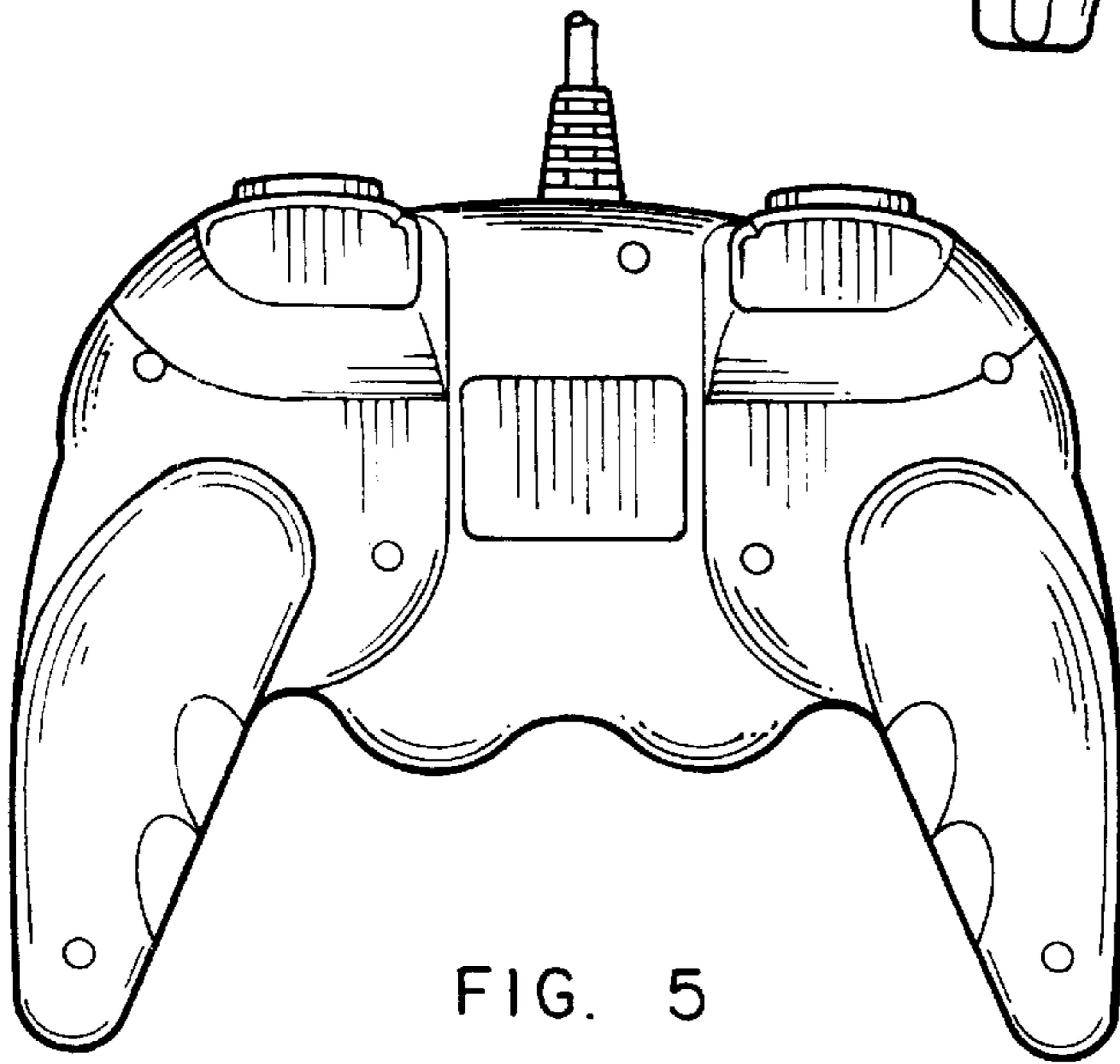


FIG. 5

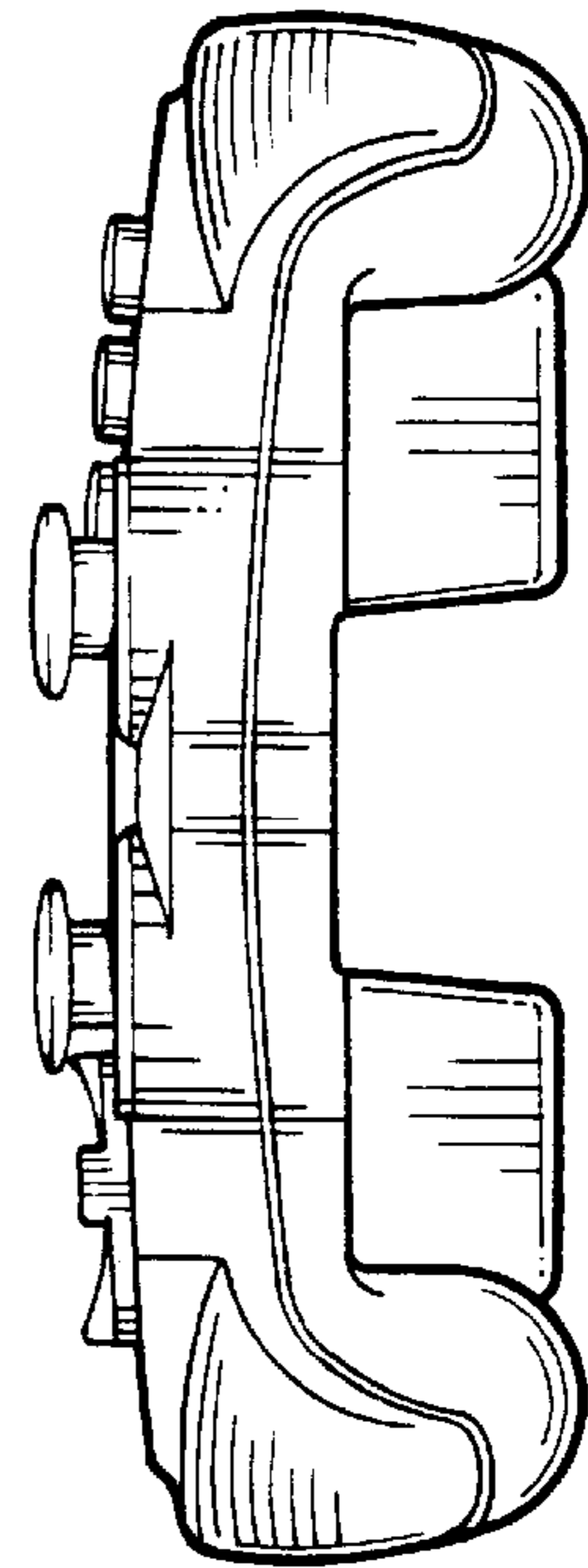


FIG. 4

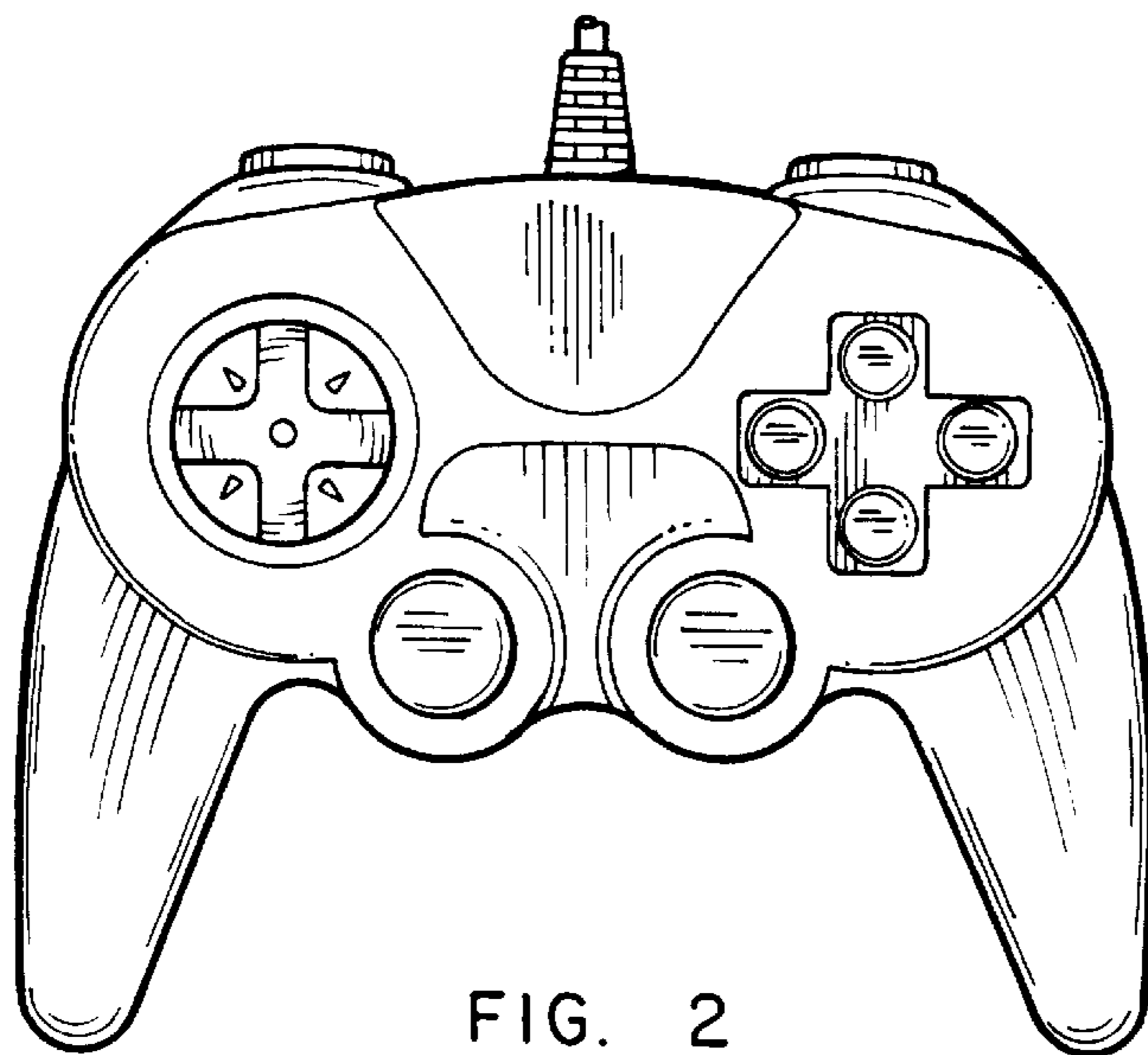


FIG. 2