



US00D415749S

United States Patent [19] Burke

[11] **Patent Number: Des. 415,749**

[45] **Date of Patent: ** Oct. 26, 1999**

[54] **REMULTIPLEXER BEZEL**

[75] Inventor: **Johnathan Burke**, Corta Madera, Calif.

[73] Assignee: **Skystream Corporation**, Mountain View, Calif.

[**] Term: **14 Years**

[21] Appl. No.: **29/087,606**

[22] Filed: **May 6, 1998**

[51] **LOC (6) Cl.** **14-02**

[52] **U.S. Cl.** **D14/115**

[58] **Field of Search** D14/100, 102,
D14/107-109, 115, 257, 258; D13/162,
184, 199, 164, 177; D10/103; 312/223.2;
361/600, 622, 724-728; 345/326

[56] **References Cited**

U.S. PATENT DOCUMENTS

D. 359,279 6/1995 Fujimura et al. D14/115

D. 376,153 12/1996 Larson et al. D14/257
D. 380,211 6/1997 Aderman et al. D14/115

Primary Examiner—Freda Nunn
Attorney, Agent, or Firm—Proskauer Rose LLP

[57] **CLAIM**

The ornamental design for a remultiplexer bezel, as shown and described.

DESCRIPTION

FIG. 1 is an isometric view of a remultiplexer bezel showing the new design wherein a remultiplexer housing is shown in broken lines for illustrative purposes only and forms no part of the claimed design;

FIG. 2 is a front elevation view thereof;

FIG. 3 is a top view thereof;

FIG. 4 is a bottom view thereof;

FIG. 5 is a right side elevation view thereof; and,

FIG. 6 is a left side elevation view thereof.

1 Claim, 3 Drawing Sheets

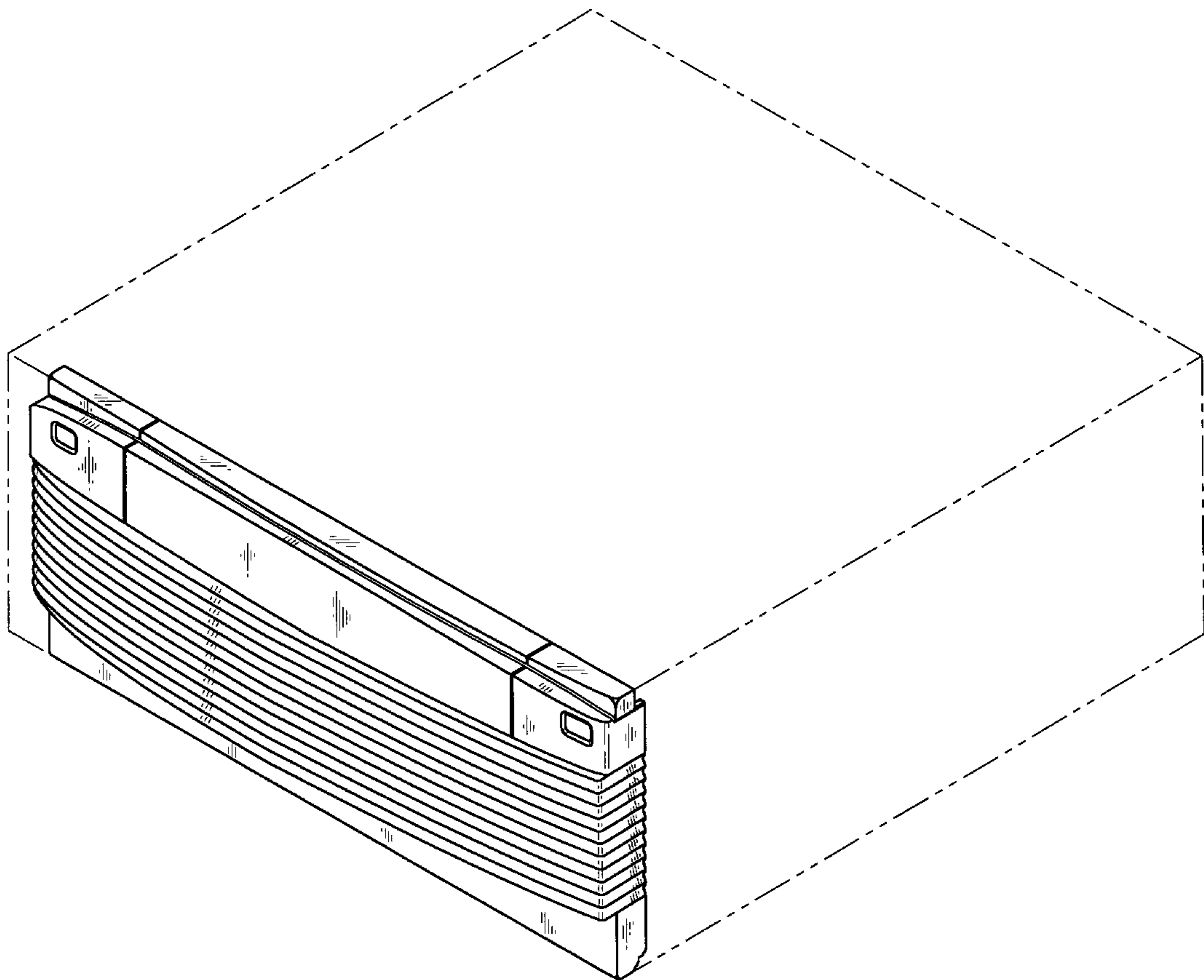


FIG. 1

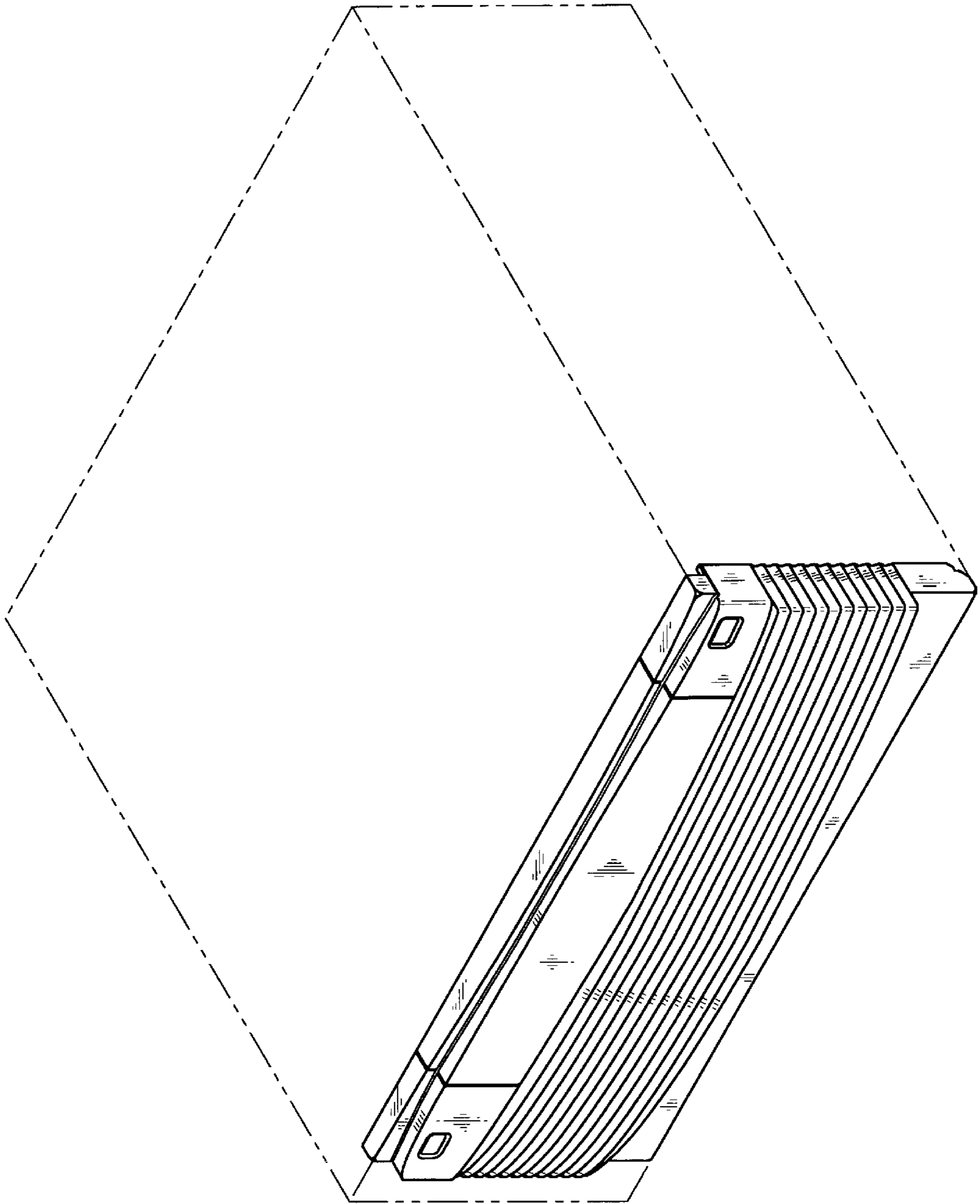


FIG. 2

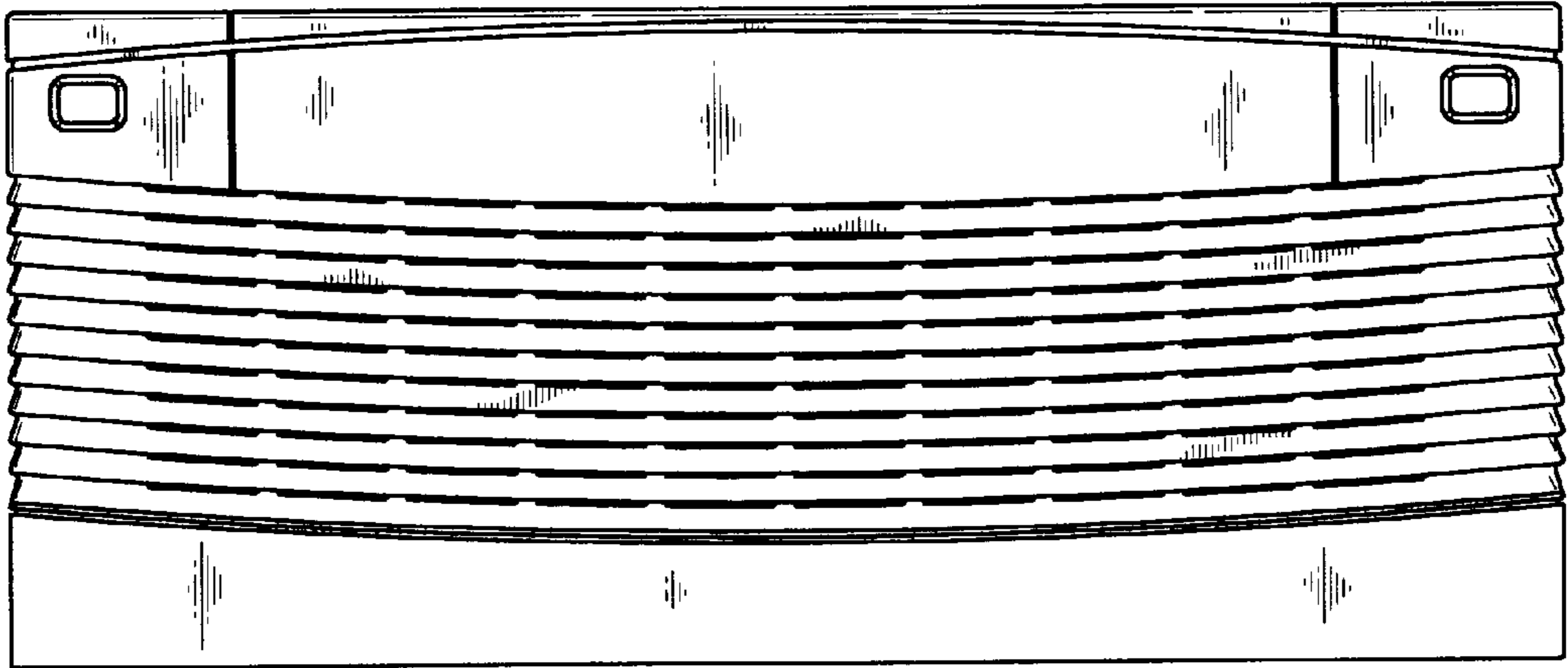


FIG. 3

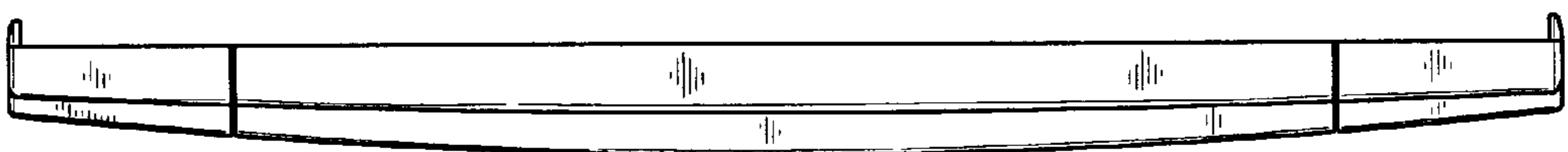


FIG. 4

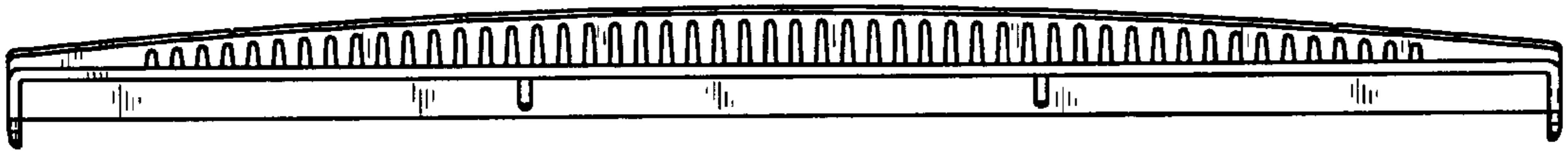


FIG. 5

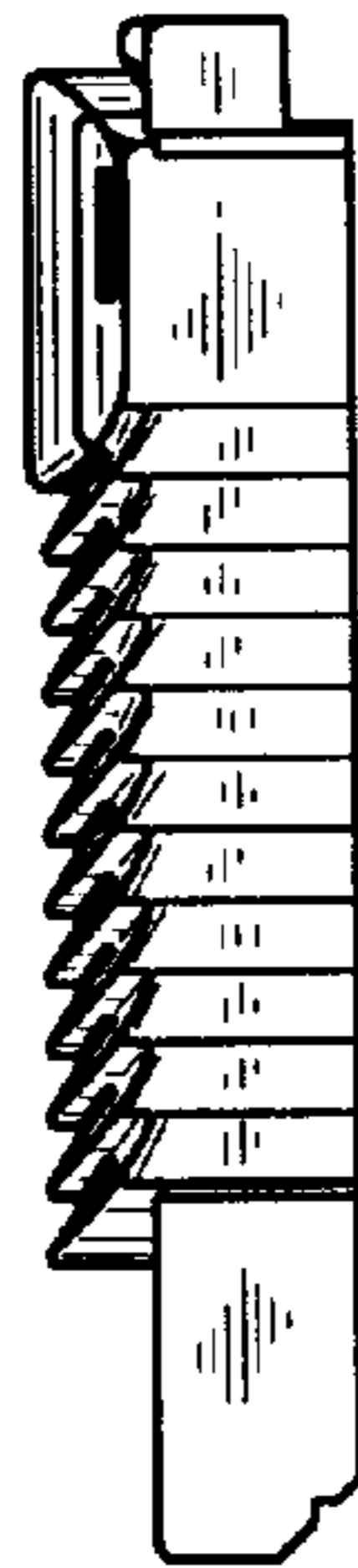


FIG. 6

