



US00D415747S

United States Patent [19] Wu

[11] **Patent Number: Des. 415,747**

[45] **Date of Patent: ** Oct. 26, 1999**

[54] **COMBINED DRIVE TRAY FACE PLATE AND LOCKING ARM**

[75] Inventor: **Jeff Wu**, Mission Viejo, Calif.

[73] Assignee: **Commercial & Industrial Design Co., Inc.**, Costa Mesa, Calif.

[**] Term: **14 Years**

[21] Appl. No.: **29/094,207**

[22] Filed: **Sep. 28, 1998**

[51] **LOC (6) Cl.** **14-02**

[52] **U.S. Cl.** **D14/114**

[58] **Field of Search** D14/100, 105, D14/107, 109, 114; D13/162, 184, 199; 361/680-5, 728-36; 360/99.01-99.12; 312/208.1

[56] **References Cited**

U.S. PATENT DOCUMENTS

D. 330,198	10/1992	Lajara et al.	D14/114
D. 331,396	12/1992	Benck et al.	D14/114
D. 336,289	6/1993	Hill	D14/109
D. 348,050	6/1994	Dolkowski et al.	D14/100
D. 372,021	7/1996	Idleman et al.	D14/109
D. 377,482	1/1997	Geck	D14/109
D. 383,736	9/1997	Corrington et al.	D14/109
D. 386,478	11/1997	Alfonso et al.	D14/100
D. 397,097	8/1998	McNally	D14/114
D. 401,229	11/1998	Roehrs et al.	D14/109
D. 407,079	3/1999	Wu	D14/114
D. 409,171	5/1999	Wu	D14/114

Primary Examiner—M. H. Tung
Attorney, Agent, or Firm—Knobbe, Martens, Olson & Bear, LLP

[57] **CLAIM**

The ornamental design for a combined drive tray face plate and locking arm, as shown and described.

DESCRIPTION

FIG. 1 is a perspective view of a combined drive tray face plate and locking arm having features in accordance with the present invention, the tray and slide rails being shown in phantom for illustrative purposes only;

FIG. 2 is a front elevational view of the combined drive tray face plate and locking arm of FIG. 1;

FIG. 3 is a top plan view of the combined drive tray face plate and locking arm of FIG. 1;

FIG. 4 is a bottom plan view of the combined drive tray face plate and locking arm of FIG. 1;

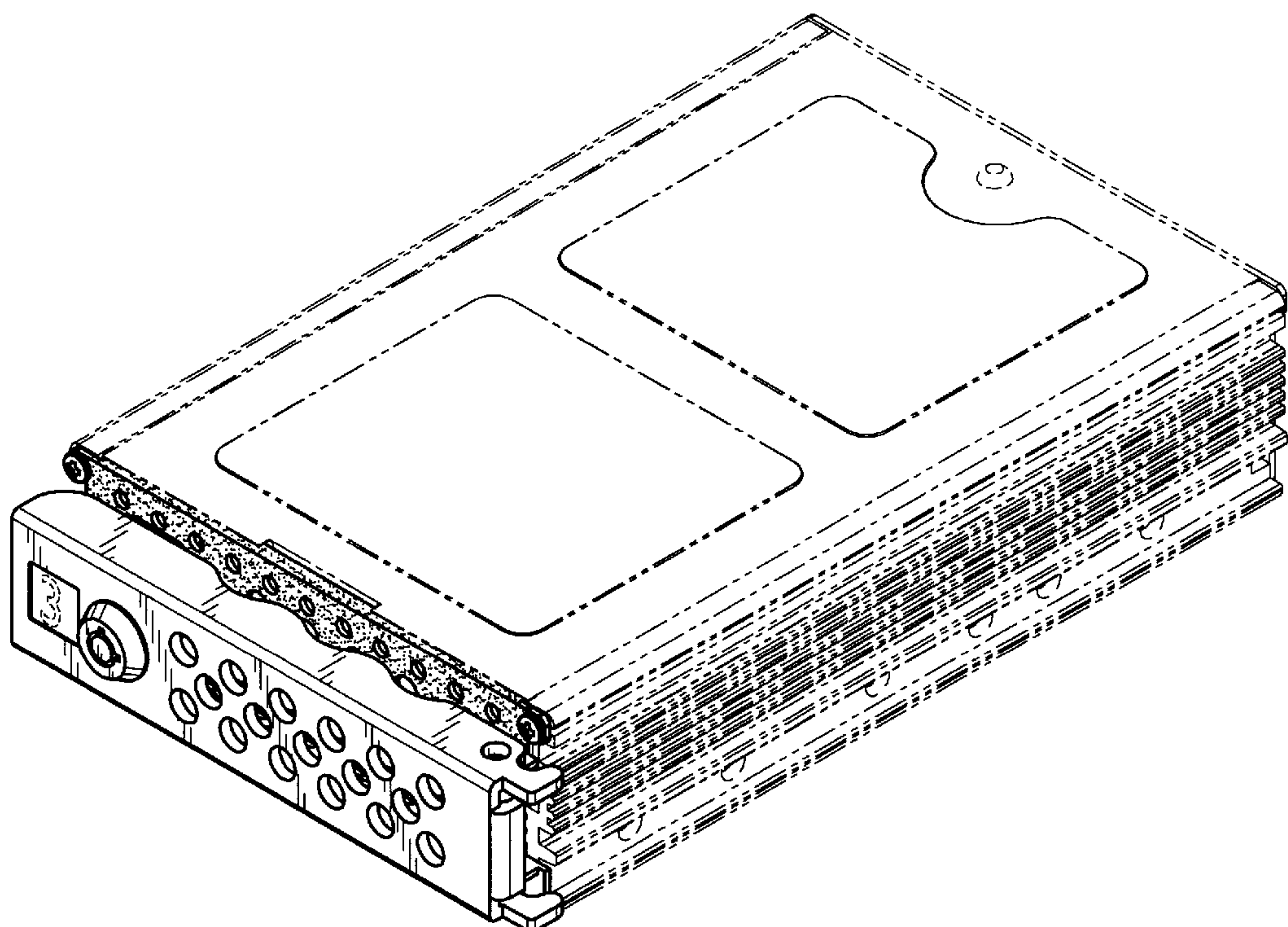
FIG. 5 is a right side elevational view of the combined drive tray face plate and locking arm of FIG. 1;

FIG. 6 is a left side elevational view of the combined drive tray face plate and locking arm of FIG. 1; and,

FIG. 7 is a perspective view of a second embodiment thereof, four combined drive tray face plate and locking arms shown stacked.

The broken line drawings of a drive tray and indicia in the figure views are for illustrative purposes only and form no part of the claimed design.

1 Claim, 5 Drawing Sheets



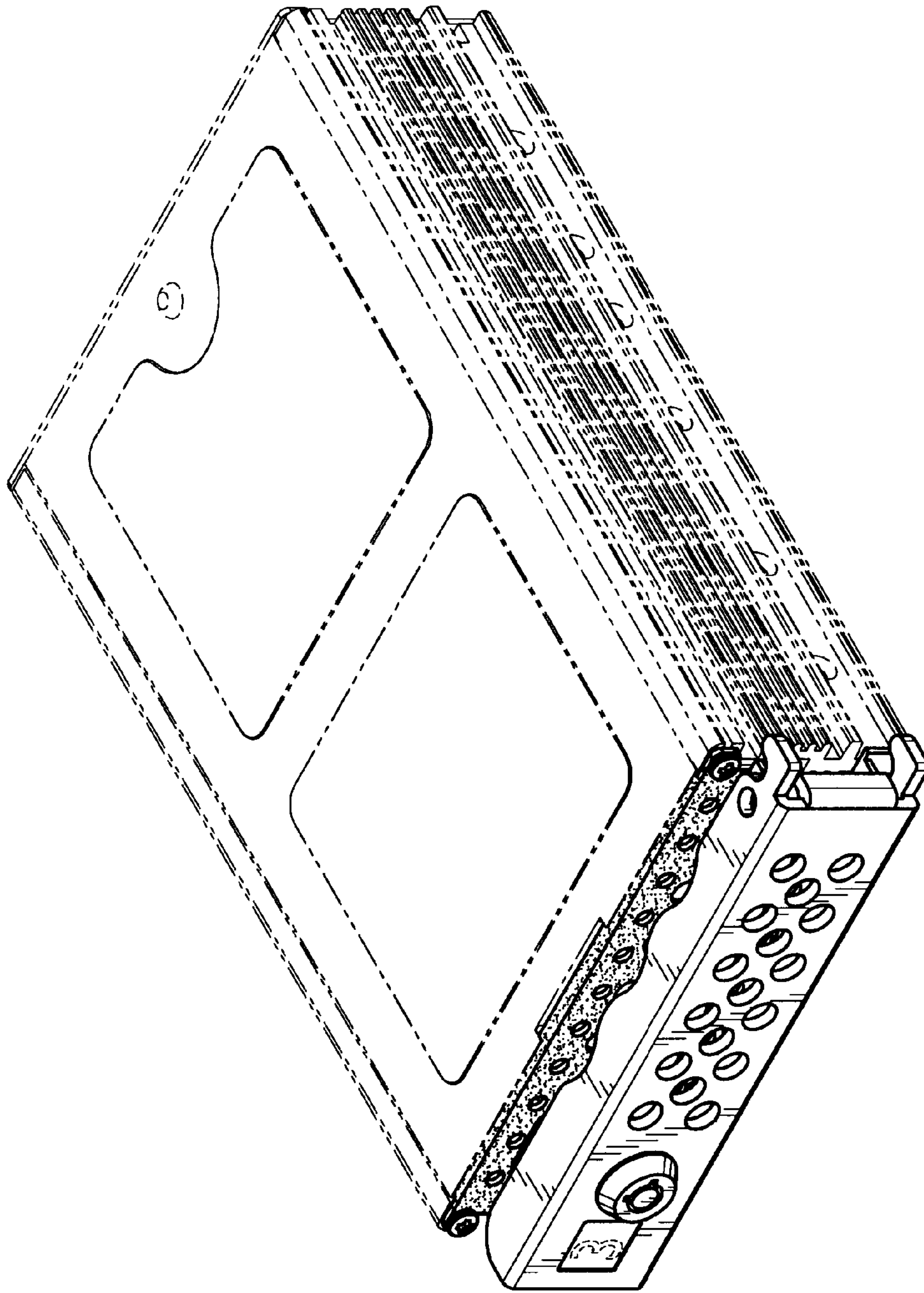


FIG. 1

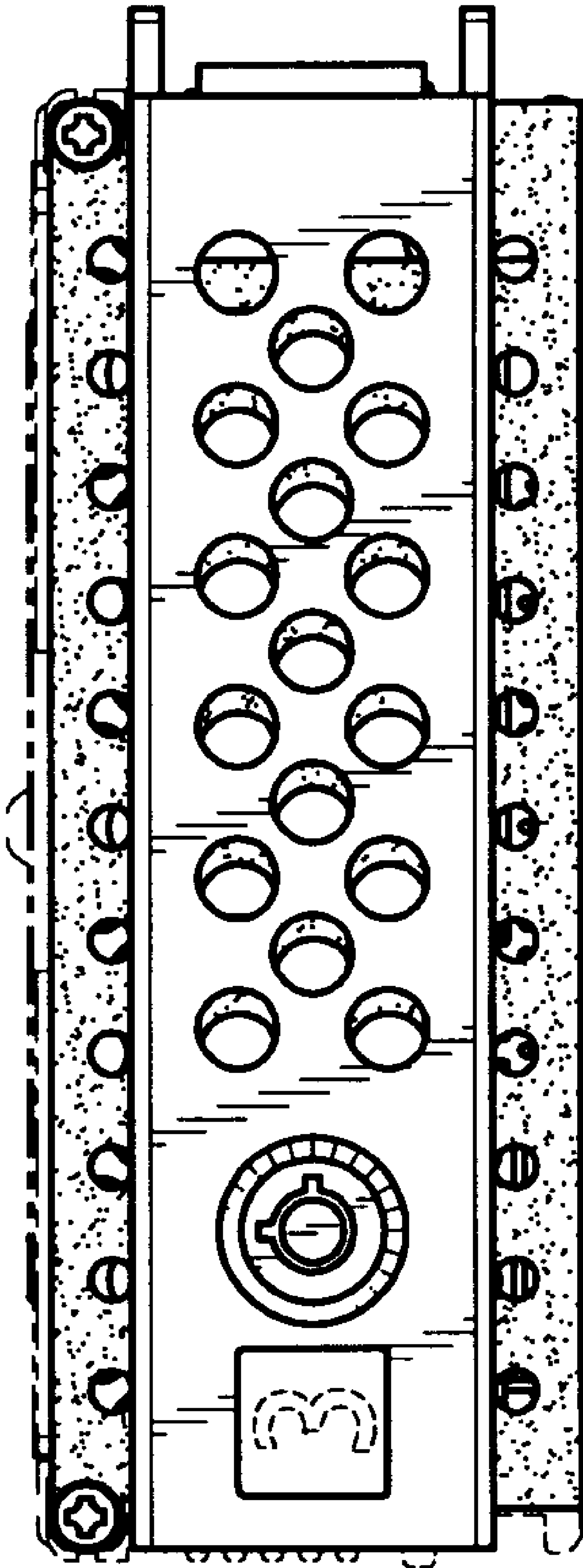


FIG. 2

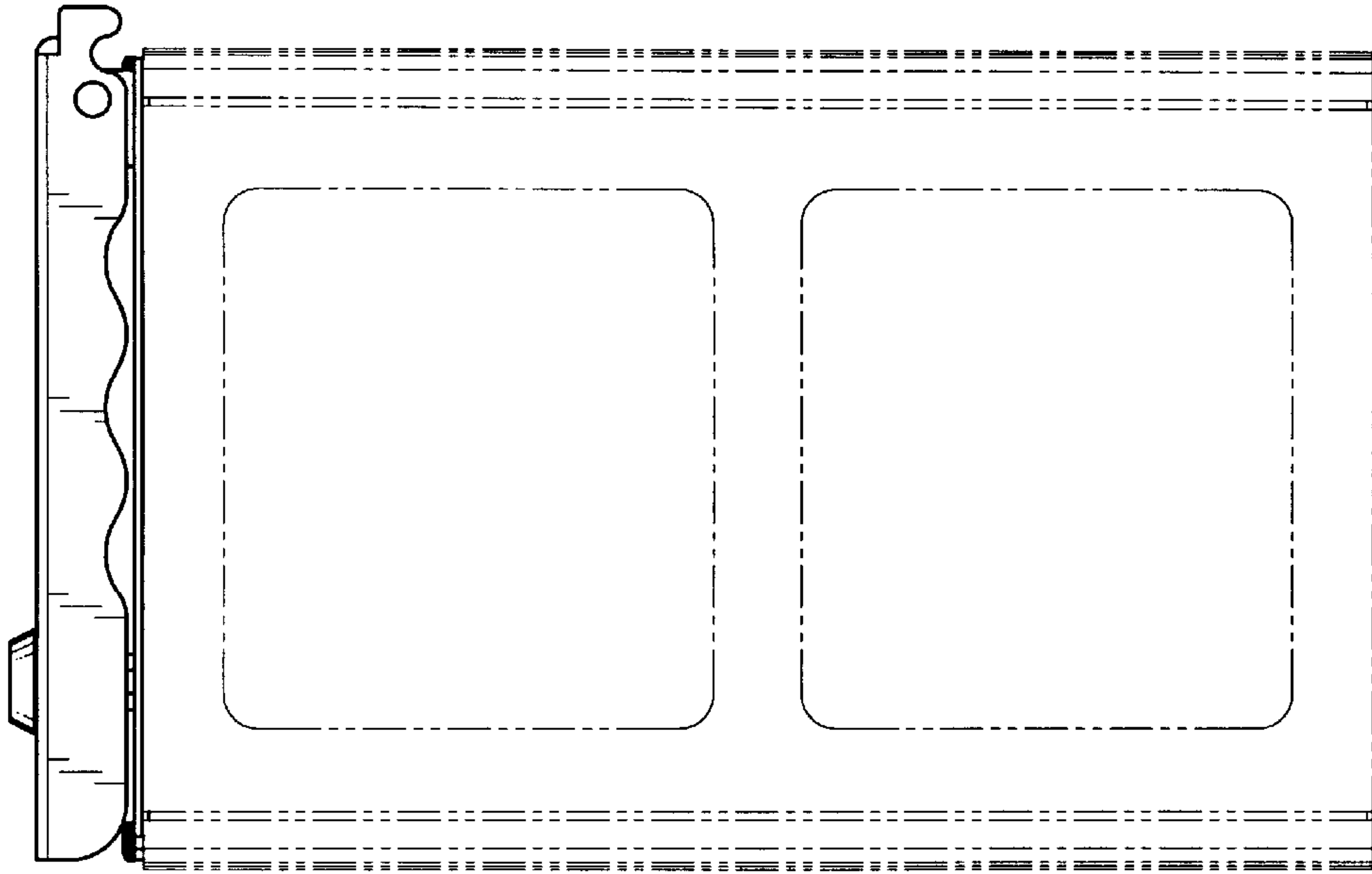


FIG. 4

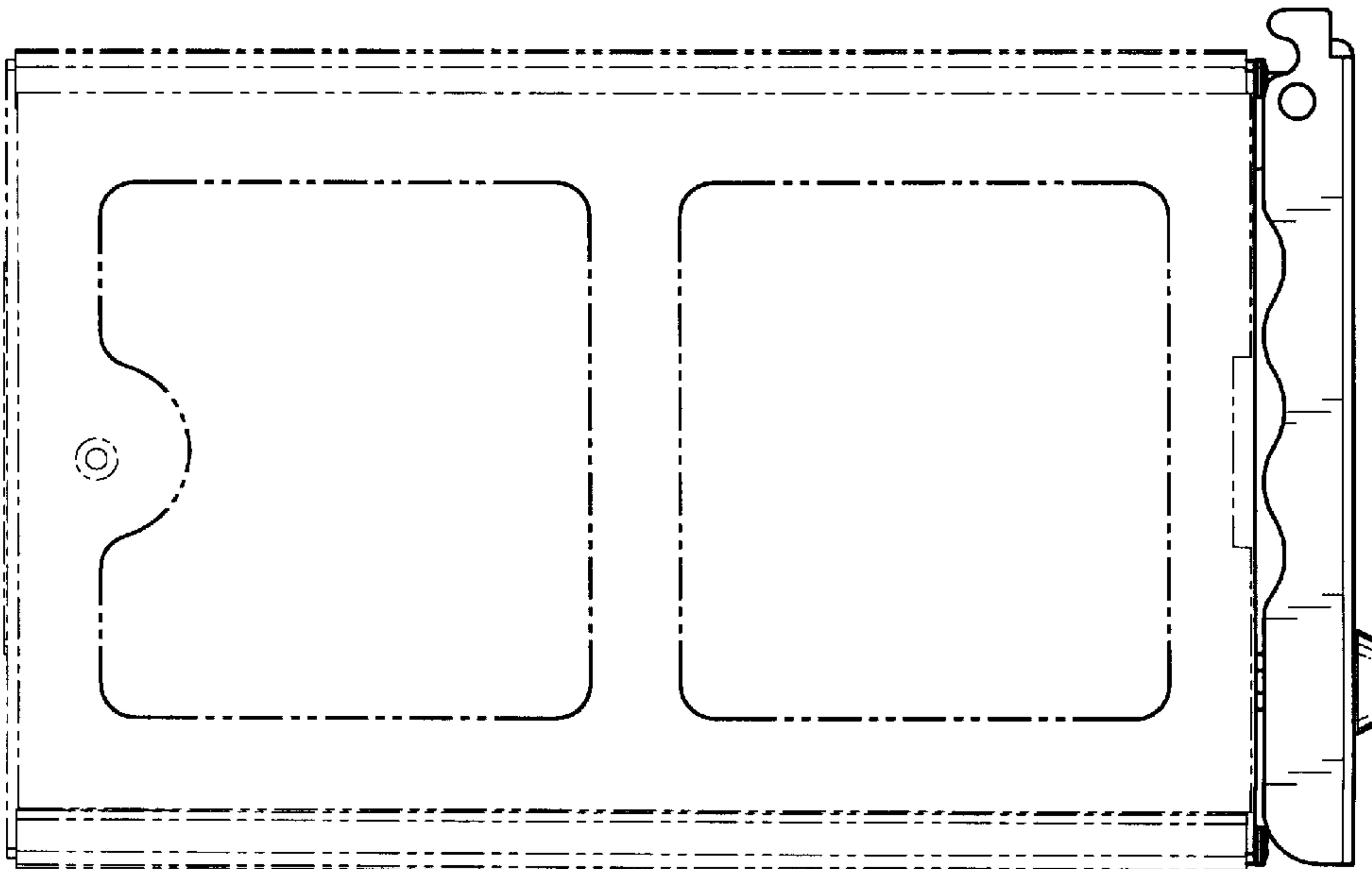


FIG. 3



FIG. 5

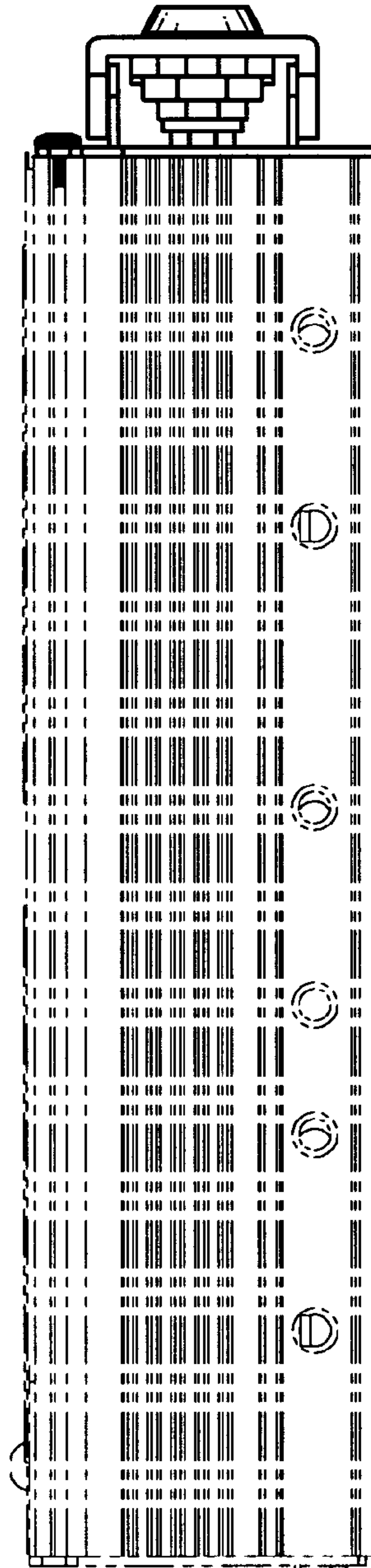


FIG. 6

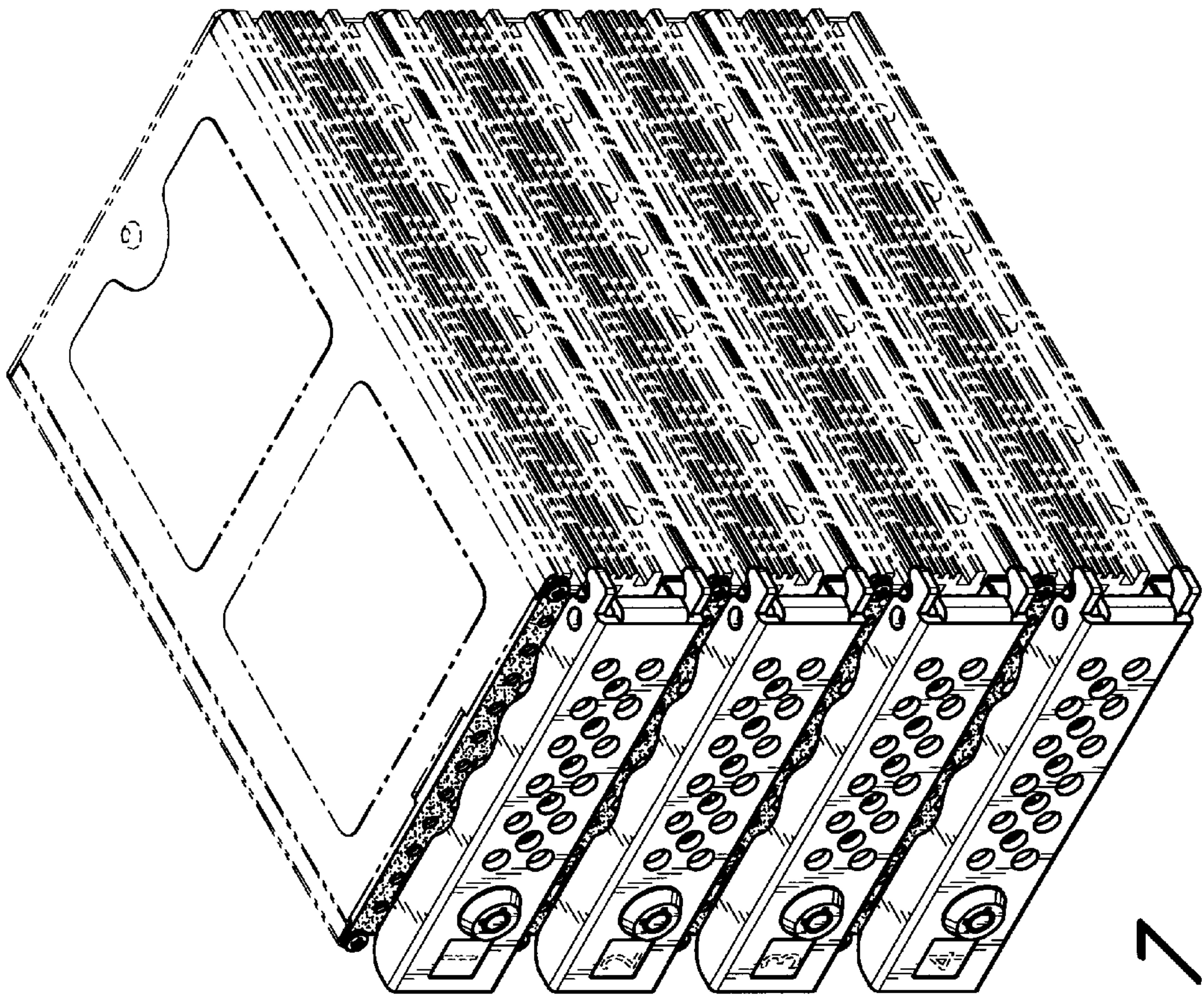


FIG. 7