



US00D415745S

# United States Patent [19] Clark

[11] **Patent Number: Des. 415,745**

[45] **Date of Patent: \*\* Oct. 26, 1999**

[54] **COMPUTER KEYBOARD SUPPORT FRAME**

[75] Inventor: **Bob G. Clark**, Powell, Tenn.

[73] Assignee: **Clark Enterprises**, Oak Ridge, Tenn.

[\*\*] Term: **14 Years**

[21] Appl. No.: **29/077,366**

[22] Filed: **Sep. 18, 1997**

[51] **LOC (6) Cl. .... 14-02**

[52] **U.S. Cl. .... D14/114**

[58] **Field of Search** ..... D14/114, 115;  
248/918-924, 442.2, 441.1, 174, 121, 176.1,  
447.2, 118.1; D6/510, 511, 491; D7/550;  
D19/75, 83, 92; 211/1, 60.1, 86.01, 88.01,  
90.01, 90.02, 94.01; 312/208.1, 208.2, 208.4,  
281, 282; 400/717; 108/93

[56] **References Cited**

**U.S. PATENT DOCUMENTS**

D. 330,892	11/1992	Hassel et al. ....	D14/114
D. 344,652	3/1994	Hatcher .....	D6/511
D. 373,761	9/1996	Yu .....	D14/114
4,657,214	4/1987	Foster .....	248/176.1

5,219,136	6/1993	Hassel et al. ....	248/118
5,242,139	9/1993	Aldrich .....	248/118
5,311,210	5/1994	O'Brien et al. ....	345/168
5,375,800	12/1994	Wilcox et al. ....	248/118.1
5,553,820	9/1996	Ambrose .....	400/472

*Primary Examiner*—Freda Nunn  
*Attorney, Agent, or Firm*—Joseph A. Marasco

[57] **CLAIM**

The ornamental design for a computer keyboard support frame, as shown and described.

**DESCRIPTION**

FIG. 1 is a perspective view of a computer keyboard support frame in accordance with the present invention.

FIG. 2 is a disassembled perspective view;

FIG. 3 is a side view the opposite side being a mirror image thereof;

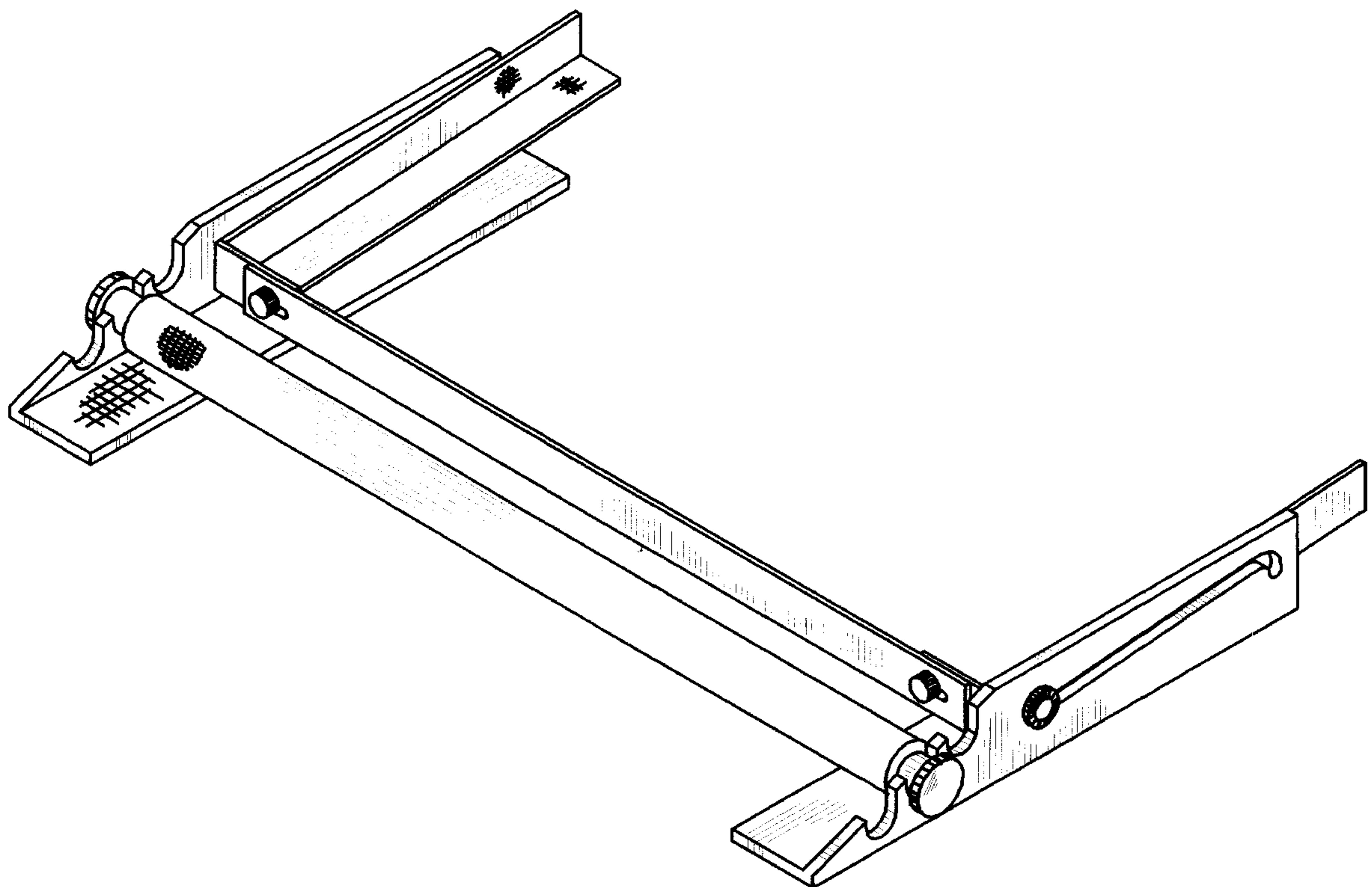
FIG. 4 is a front view;

FIG. 5 is a top view; and,

FIG. 6 is a bottom view thereof.

The hatching shown in FIG. 1 is understood to continue over the indicated surfaces and is also understood to represent a conventional material.

**1 Claim, 6 Drawing Sheets**



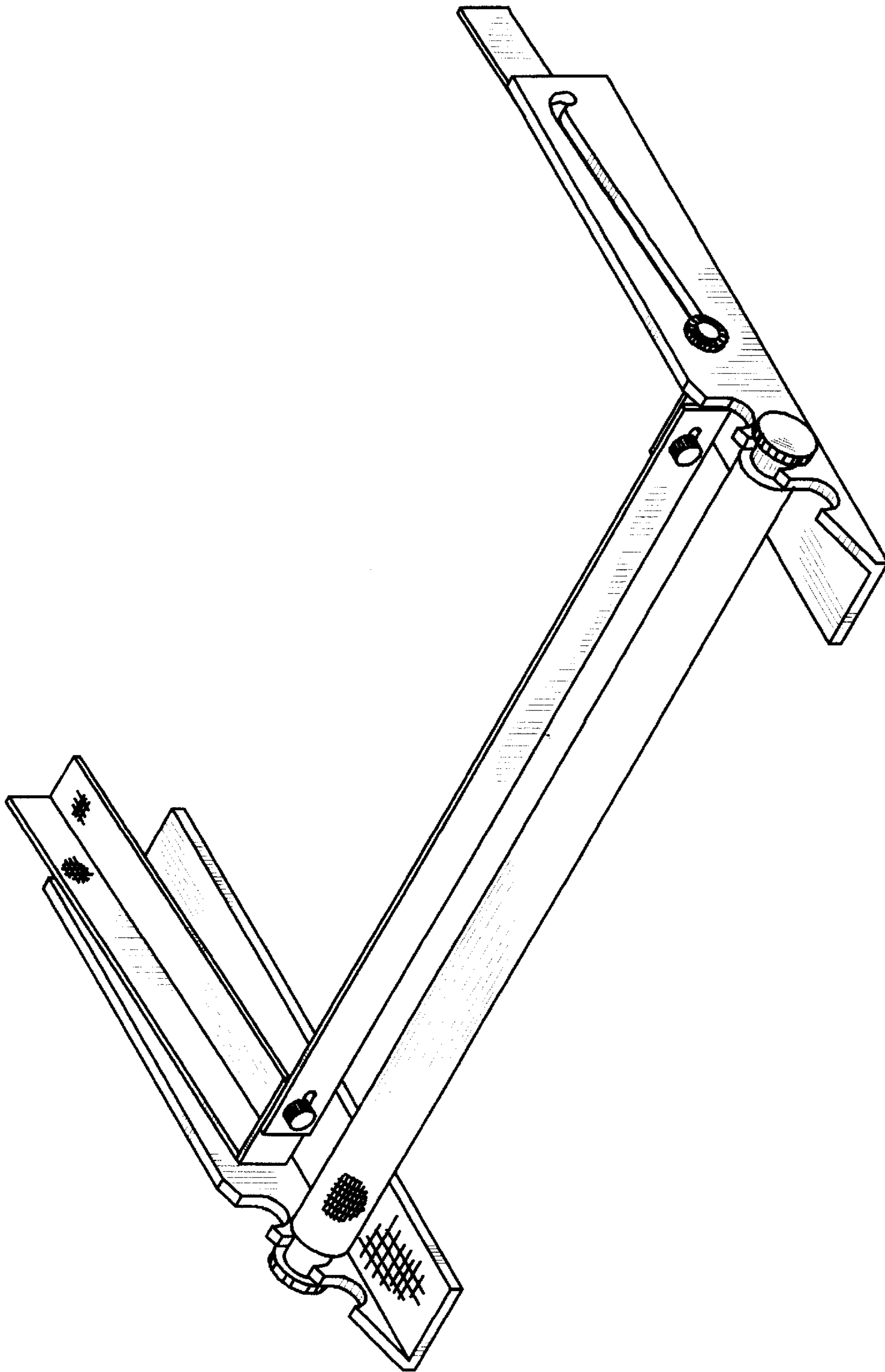


Fig. 1

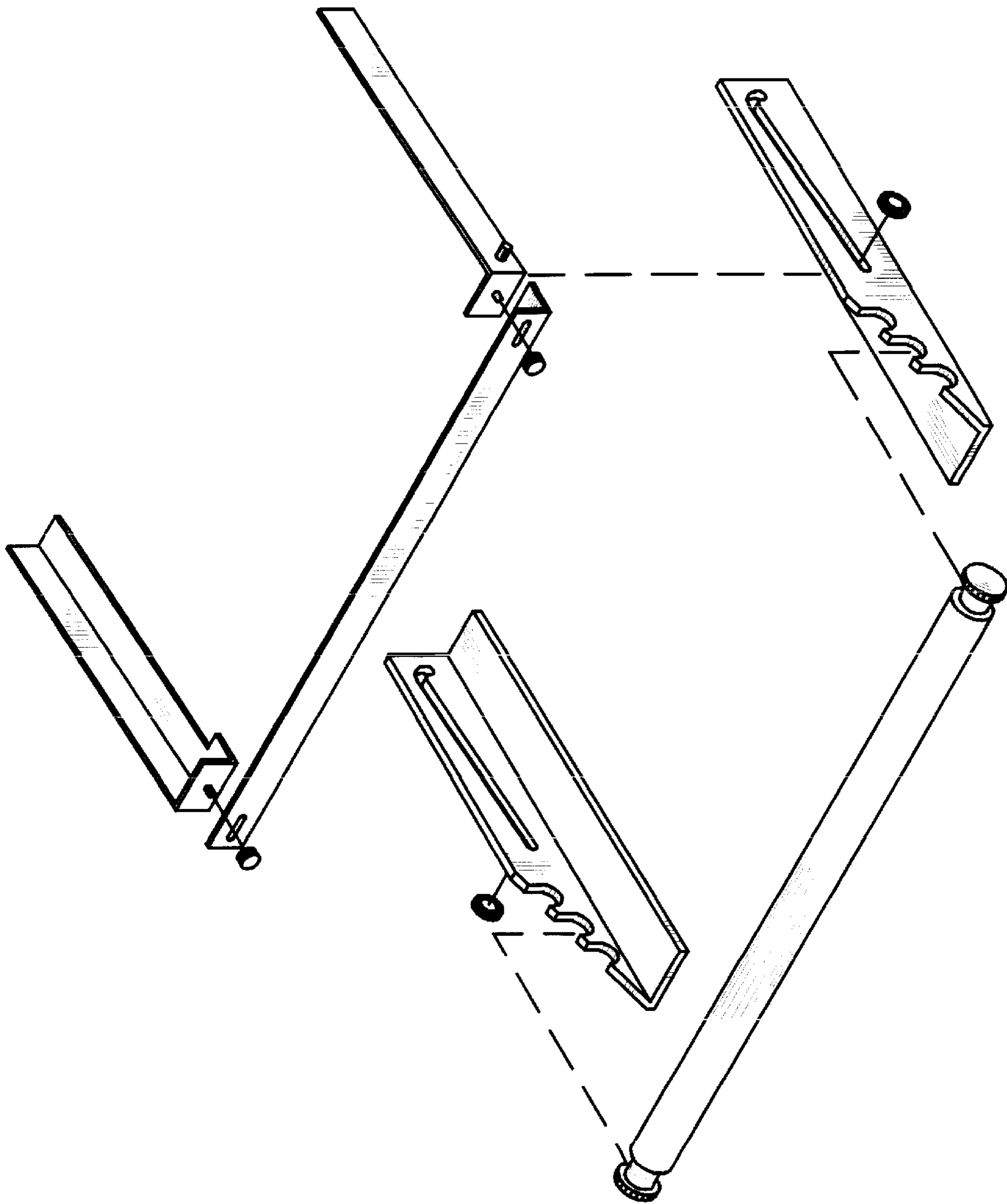


Fig. 2

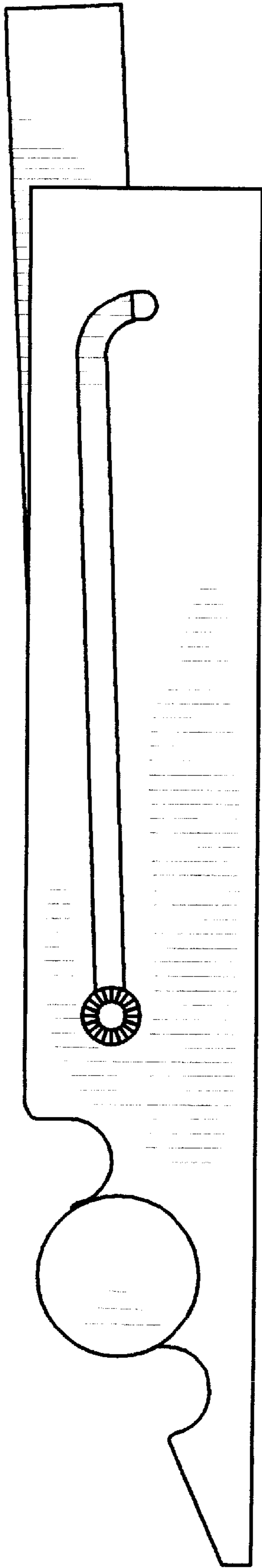


Fig. 3

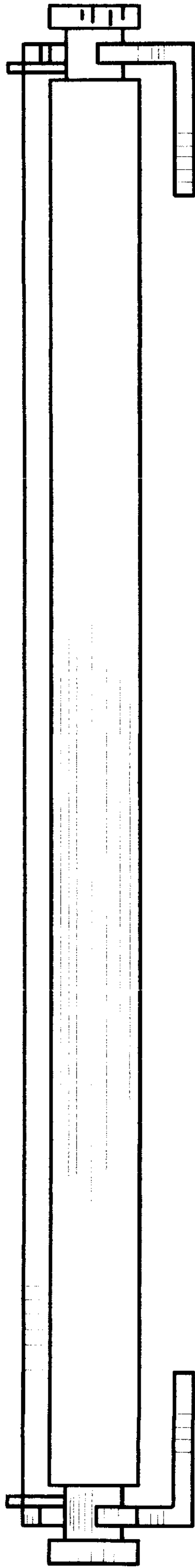


Fig. 4

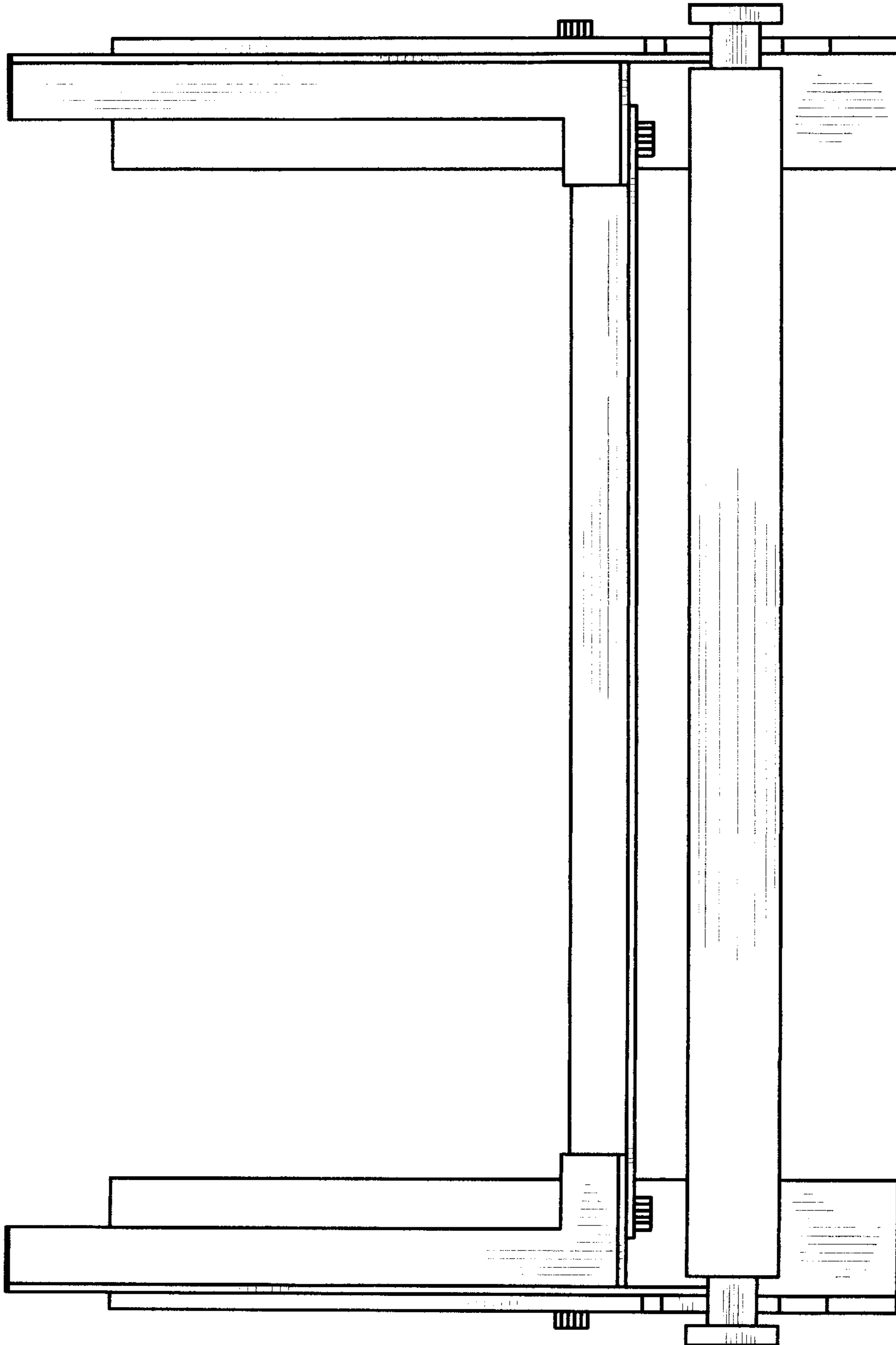


Fig. 5

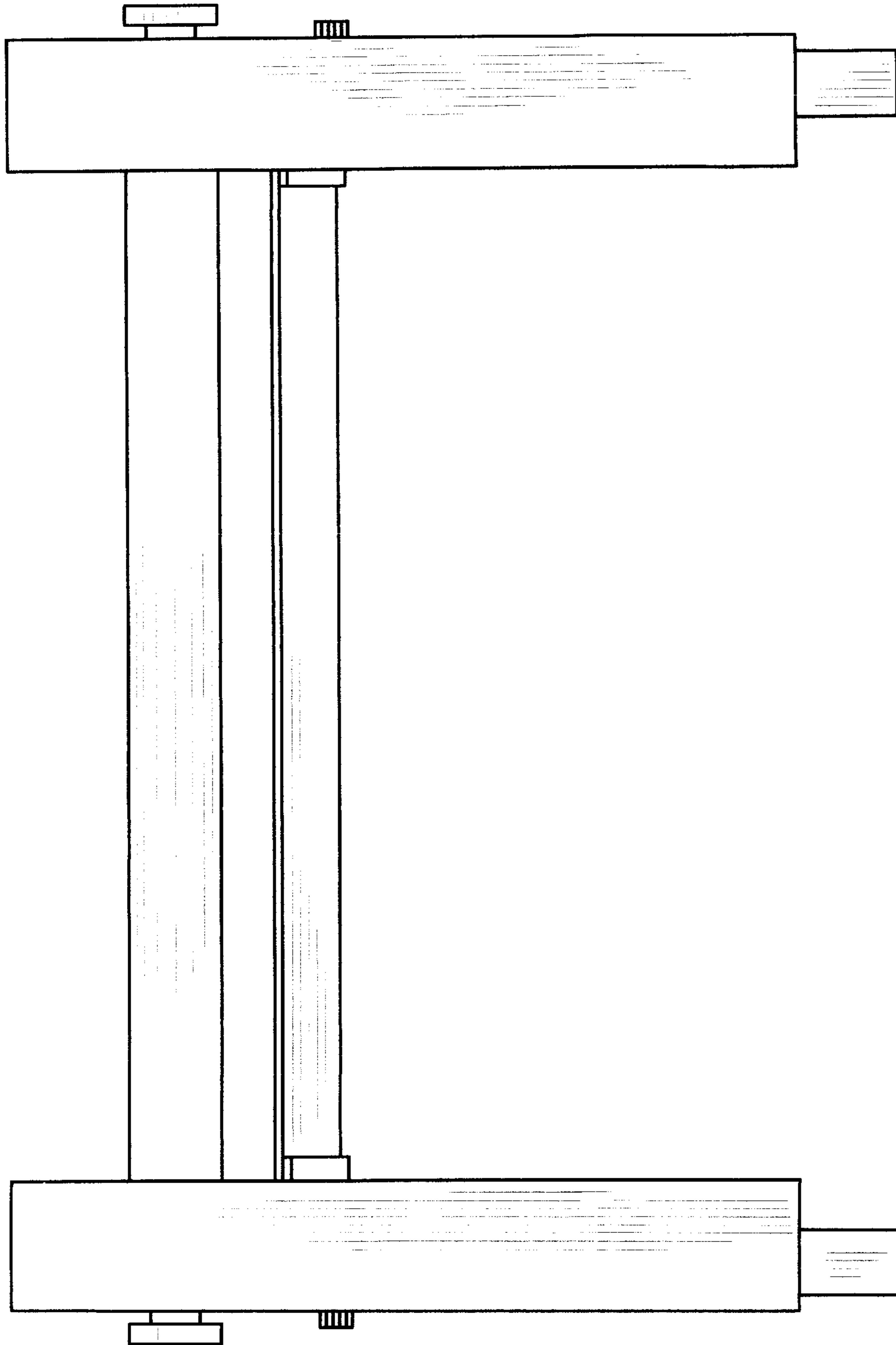


Fig. 6