



US00D415742S

United States Patent [19] Kolls

[11] **Patent Number: Des. 415,742**

[45] **Date of Patent: ** Oct. 26, 1999**

[54] **LAPTOP DATA PORT ENCLOSURE**

[75] Inventor: **H. Brock Kolls**, Downingtown, Pa.

[73] Assignee: **USA Technologies, Inc.**, Wayne, Pa.

[**] Term: **14 Years**

[21] Appl. No.: **29/095,583**

[22] Filed: **Oct. 27, 1998**

[51] **LOC (6) Cl. 14-02**

[52] **U.S. Cl. D14/107; D14/100**

[58] **Field of Search D14/100, 101,
D14/105-107, 115, 124, 126-129, 130,
144; D20/9, 99, 1; D99/99; 364/708.1;
361/680-686**

[56] **References Cited**

U.S. PATENT DOCUMENTS

- D. 368,704 4/1996 Tanaka D14/107
- D. 377,342 1/1997 Lin D14/107

*Primary Examiner—Freda Nunn
Attorney, Agent, or Firm—Ratner & Prestia*

[57] **CLAIM**

The ornamental design for a laptop data port enclosure, as shown in and described.

DESCRIPTION

FIG. 1 is a perspective view of the laptop data port enclosure design;

FIG. 2 is a front view of the laptop data port enclosure design;

FIG. 3 is a rear view of the laptop data port enclosure design;

FIG. 4 is a right side view of the laptop data port enclosure design;

FIG. 5 is a top view of the laptop data port enclosure design; and,

FIG. 6 is a bottom view of the laptop data port enclosure design.

The broken lines are shown FIG. 1 for illustrative purposes only and form no part of the claimed design.

1 Claim, 6 Drawing Sheets

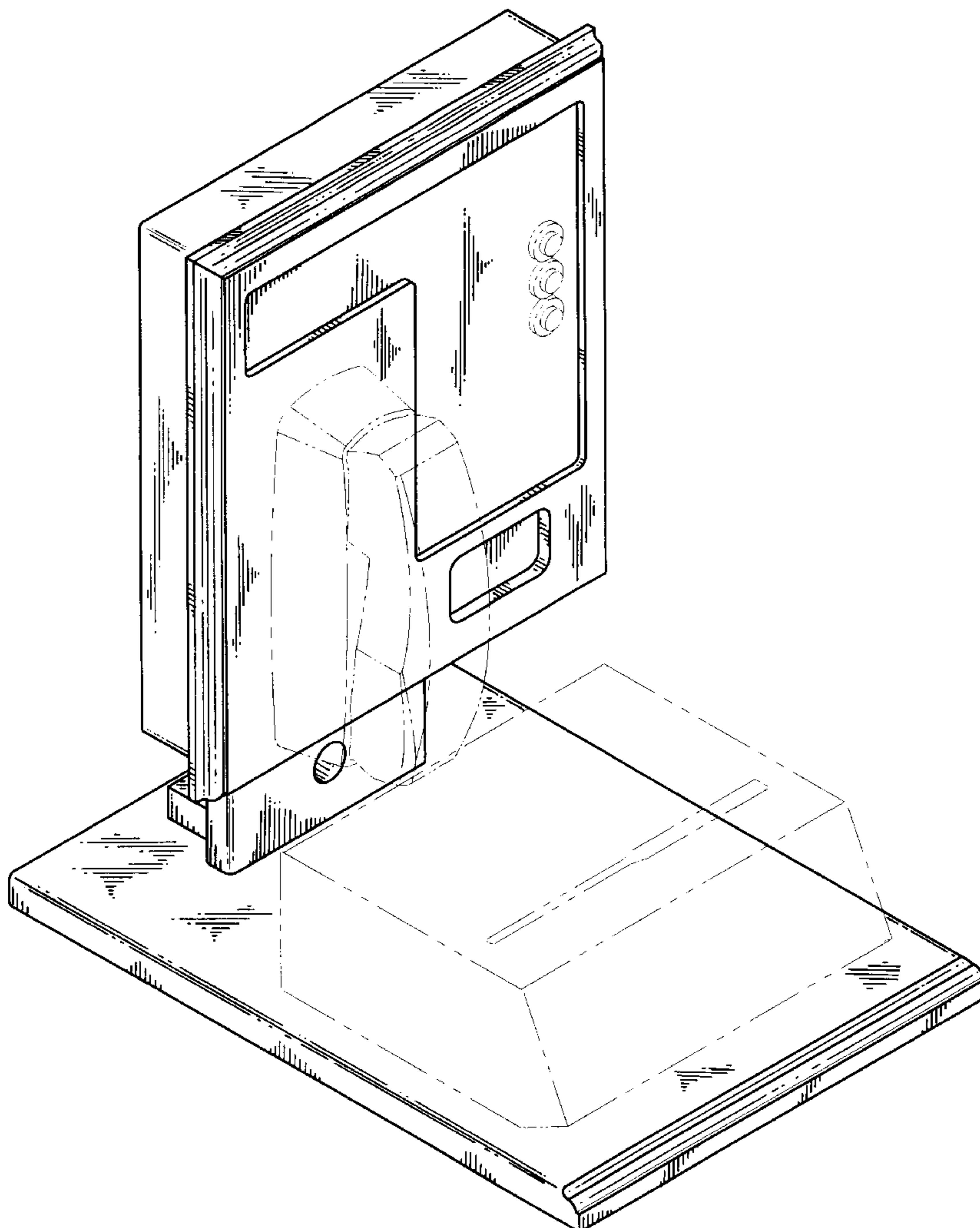


FIG. 1

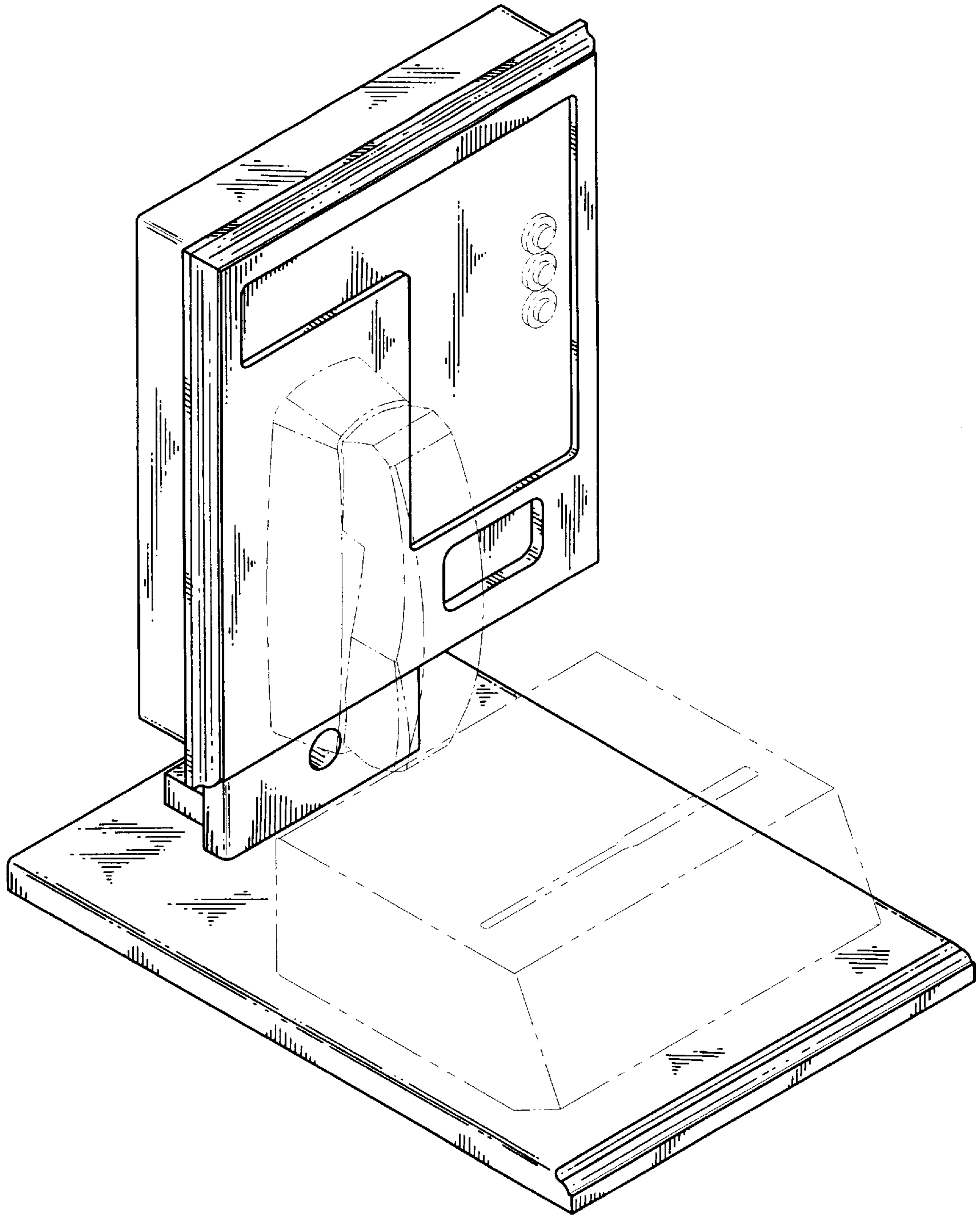


FIG. 2

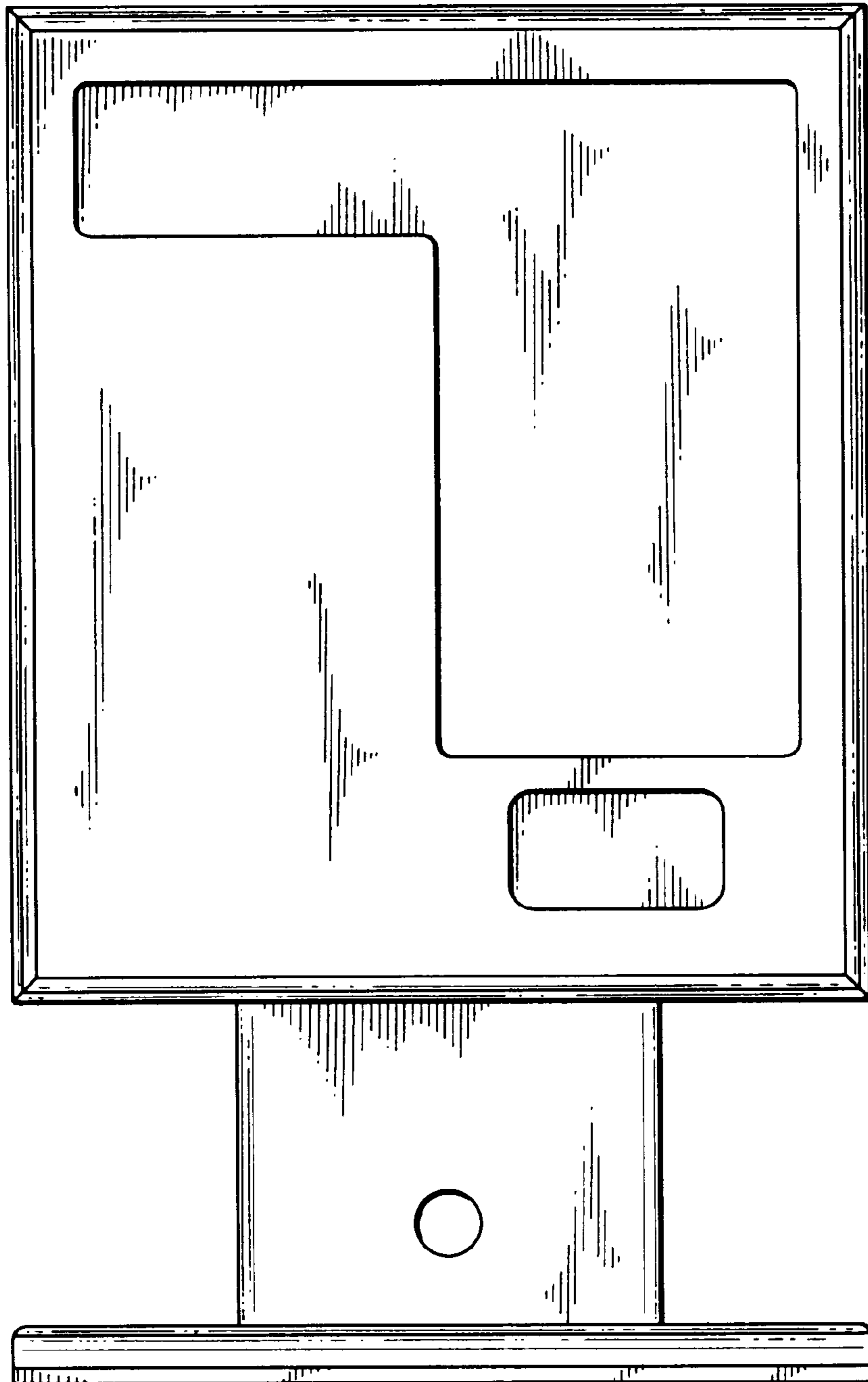


FIG. 3

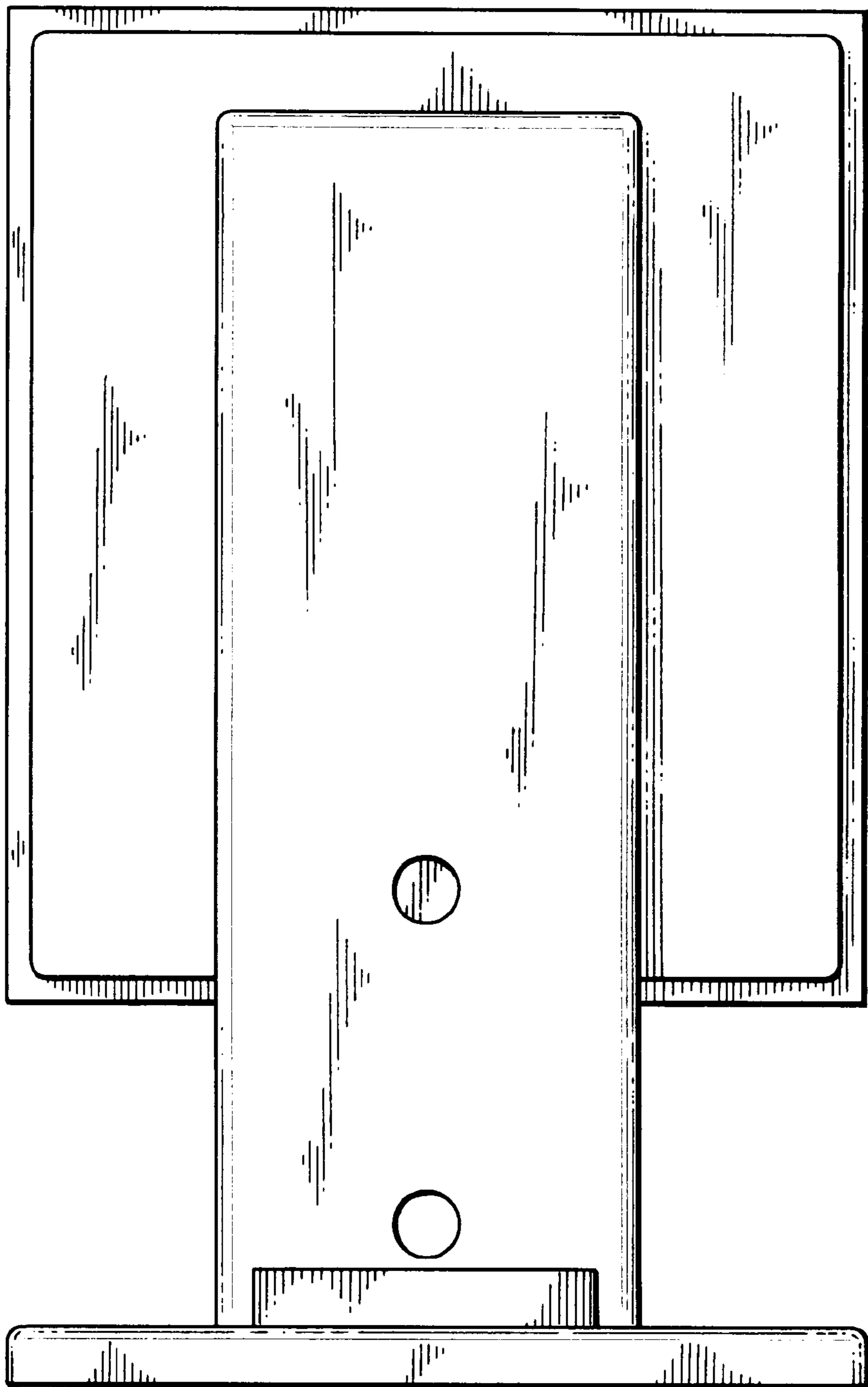


FIG. 4

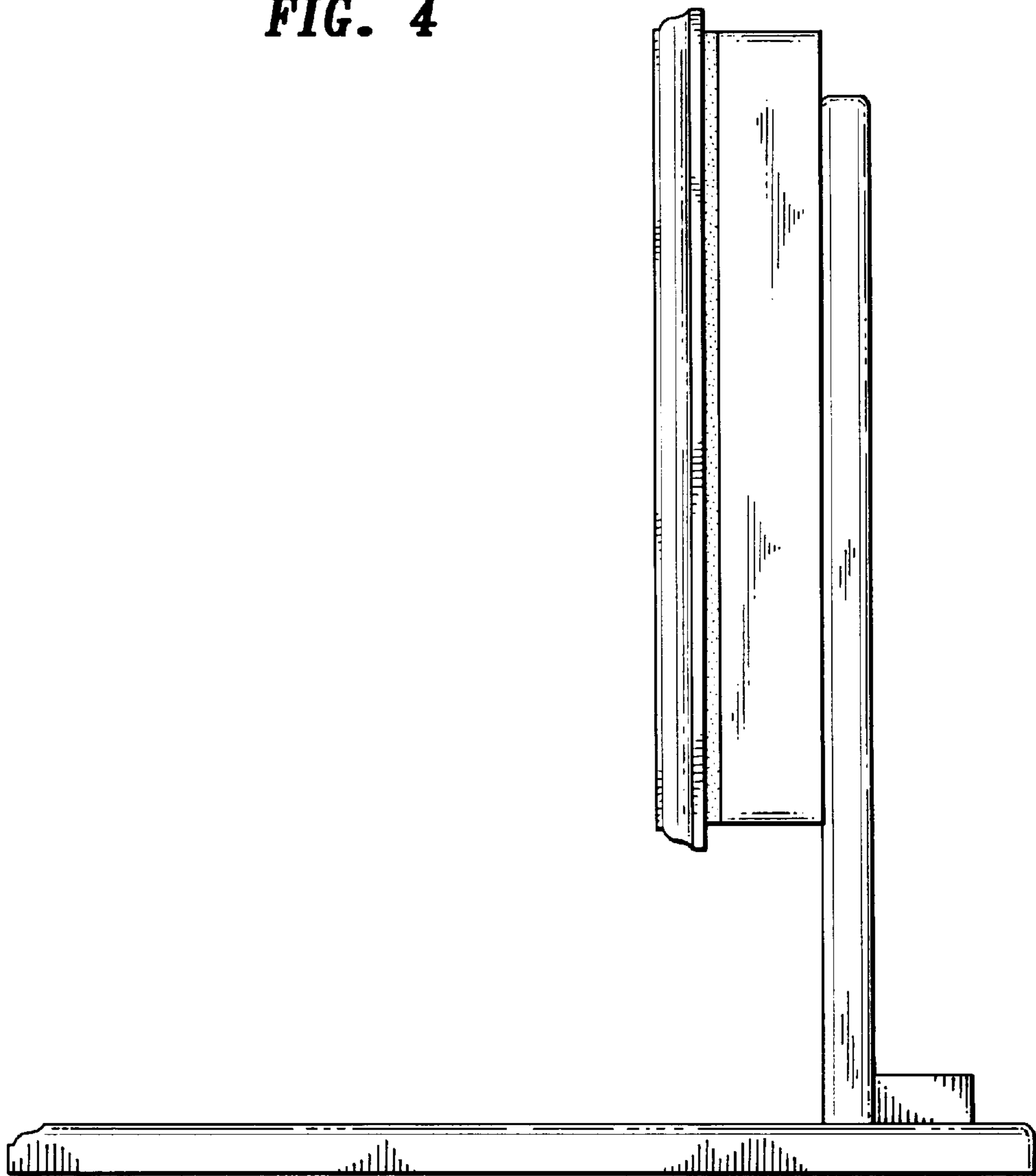


FIG. 5

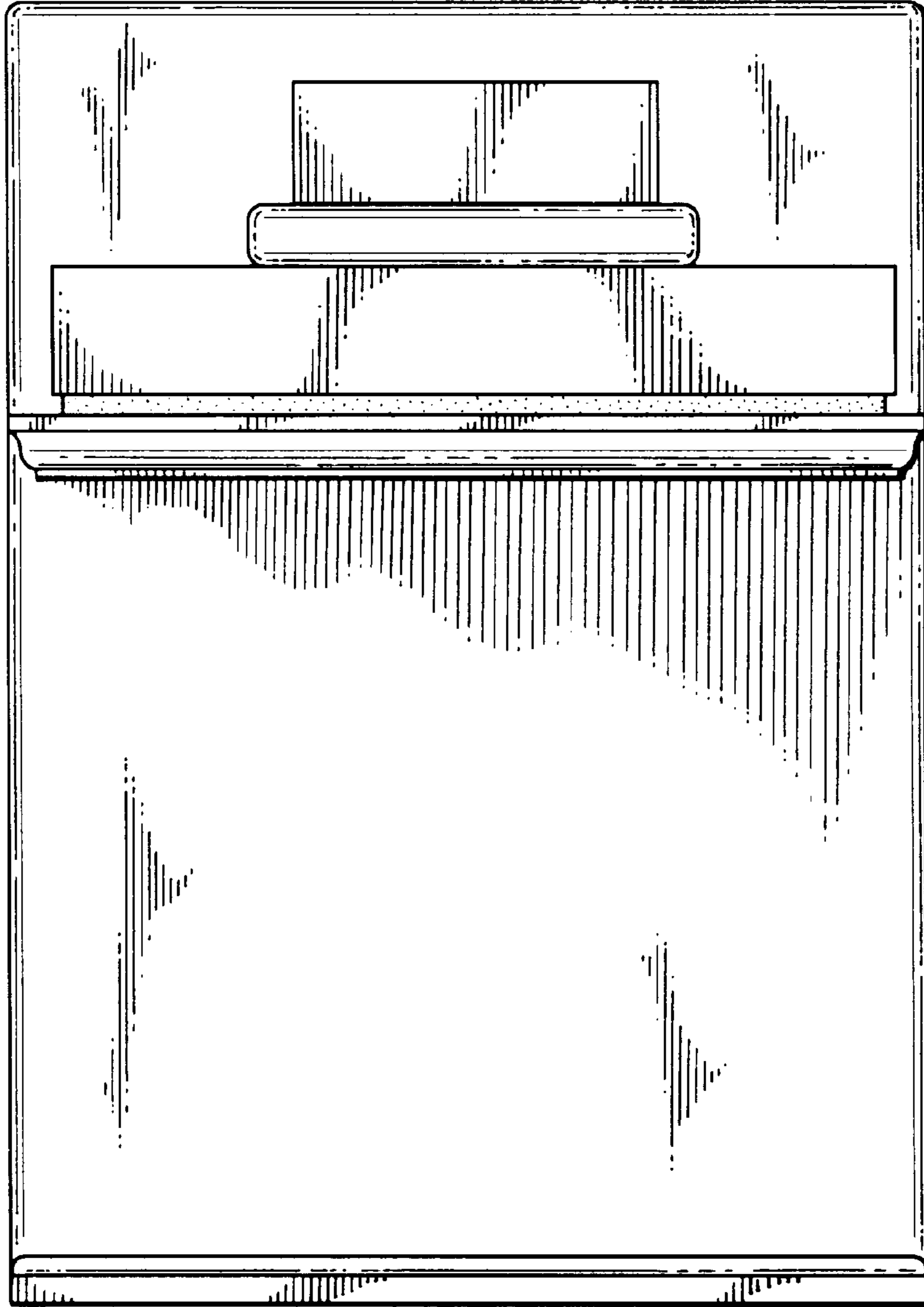


FIG. 6

