



US00D415741S

United States Patent [19]

Lee et al.

[11] **Patent Number: Des. 415,741**

[45] **Date of Patent: ** Oct. 26, 1999**

[54] **DOCKING STATION**

[75] Inventors: **Chia-Chun Lee; Ming-Hsun Chou; Jui-Jung Huang; Chih-Wen Chiang,**
all of Taipei, Taiwan

[73] Assignee: **Compal Electronics, Inc.,** Taipei, Taiwan

[**] Term: **14 Years**

[21] Appl. No.: **29/095,438**

[22] Filed: **Oct. 23, 1998**

[51] **LOC (6) Cl. 14-02**

[52] **U.S. Cl. D14/107**

[58] **Field of Search** D14/100, 107,
D14/118; D18/36, 37, 39; D16/208, 214,
223, 232, 202; 250/556; 235/454, 470,
476, 482; 355/64, 65, 75, 81

[56] **References Cited**

U.S. PATENT DOCUMENTS

D. 359,034 6/1995 Kondo D14/107

D. 369,789 5/1996 Lucente, II et al. D14/107
D. 371,769 7/1996 Shima et al. D14/107
D. 391,928 3/1998 Kondo et al. D14/107
D. 391,931 3/1998 Iino et al. D14/107
D. 396,454 7/1998 Shima et al. D14/114

Primary Examiner—Freda Nunn
Attorney, Agent, or Firm—Pillsbury Madison & Sutro LLP

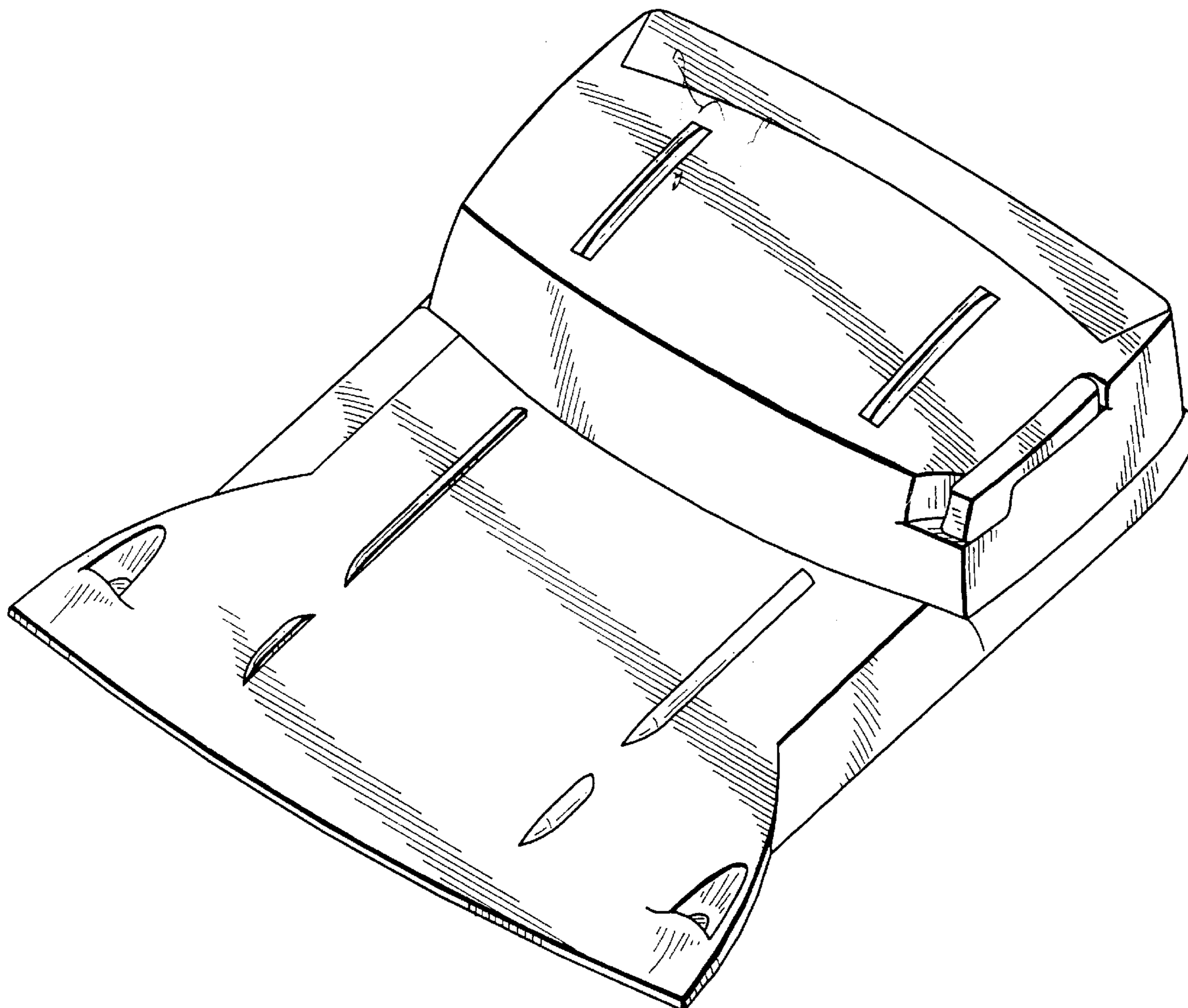
[57] **CLAIM**

The ornamental design for a docking station, as shown and described.

DESCRIPTION

FIG. 1 is a perspective view of a docking station showing my new design;
FIG. 2 is a front elevational view thereof;
FIG. 3 is a rear elevational view thereof;
FIG. 4 is a left side elevational view thereof;
FIG. 5 is a right side elevational view thereof;
FIG. 6 is a top plan view thereof; and,
FIG. 7 is a bottom plan view thereof.

1 Claim, 5 Drawing Sheets



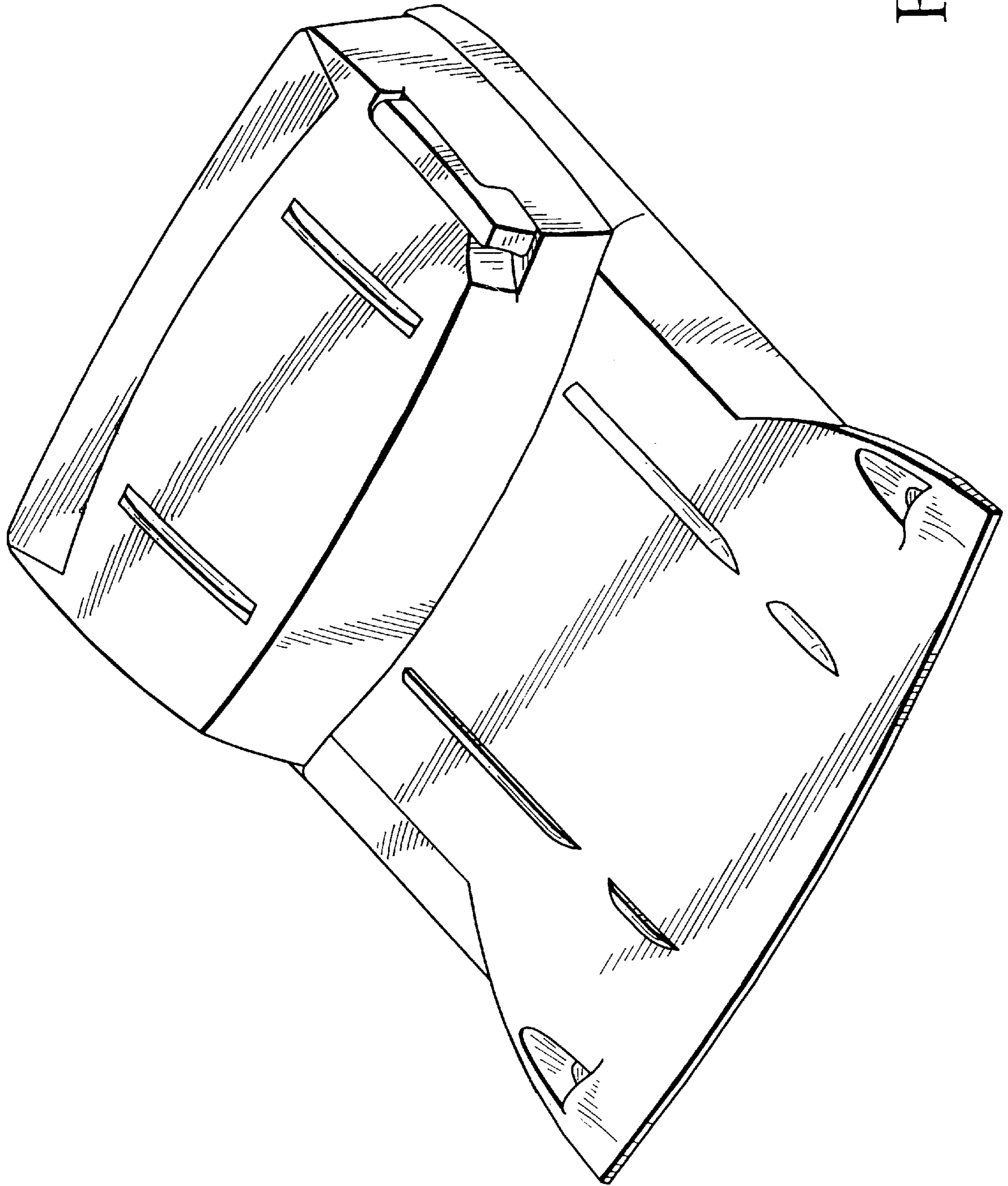


FIG. 1

FIG. 2



FIG. 3

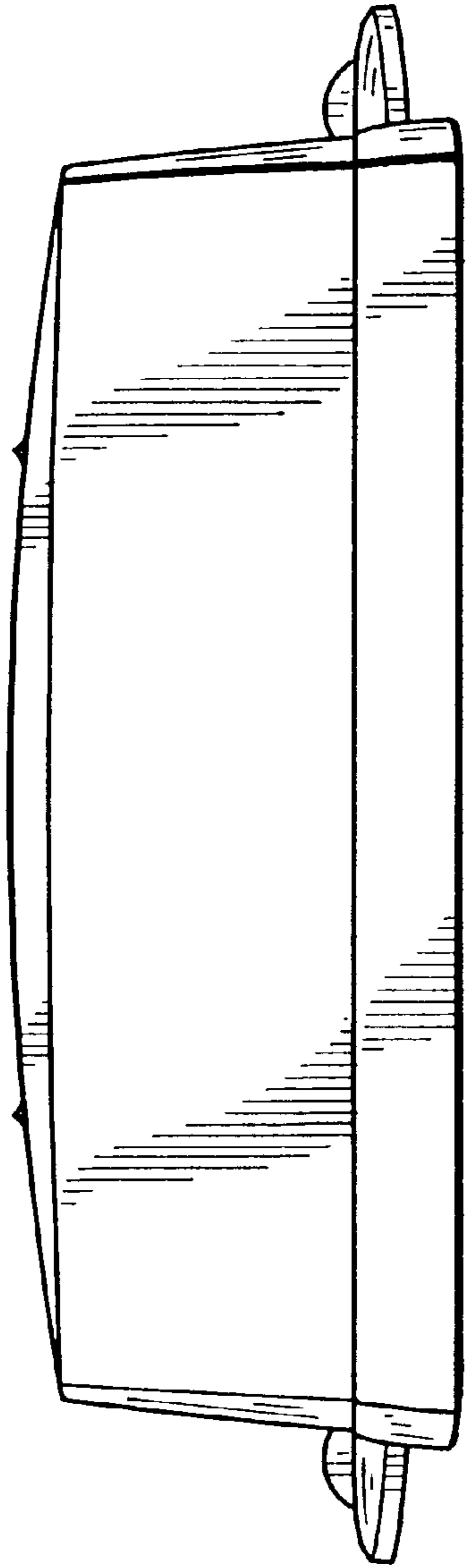


FIG. 4

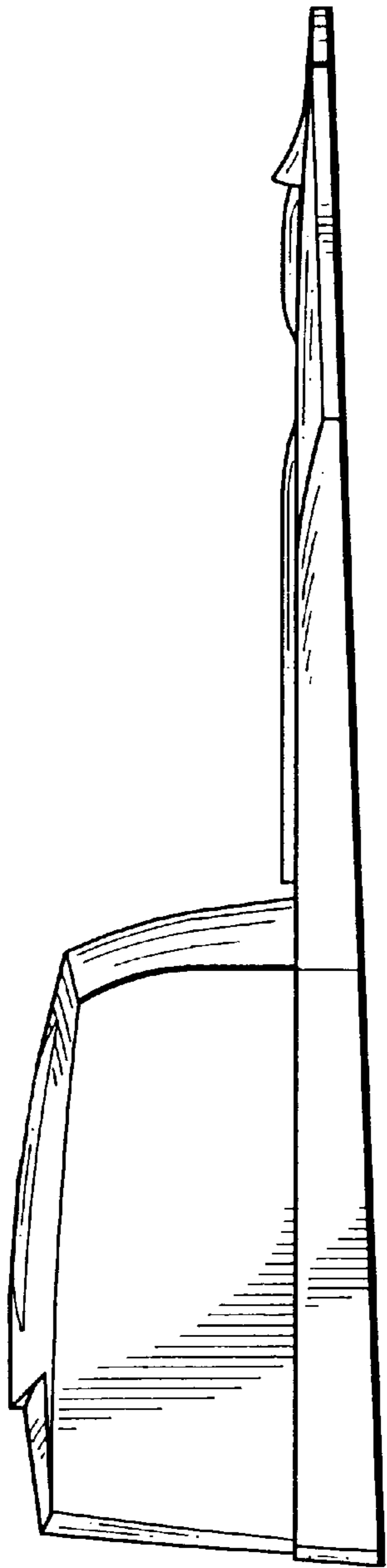
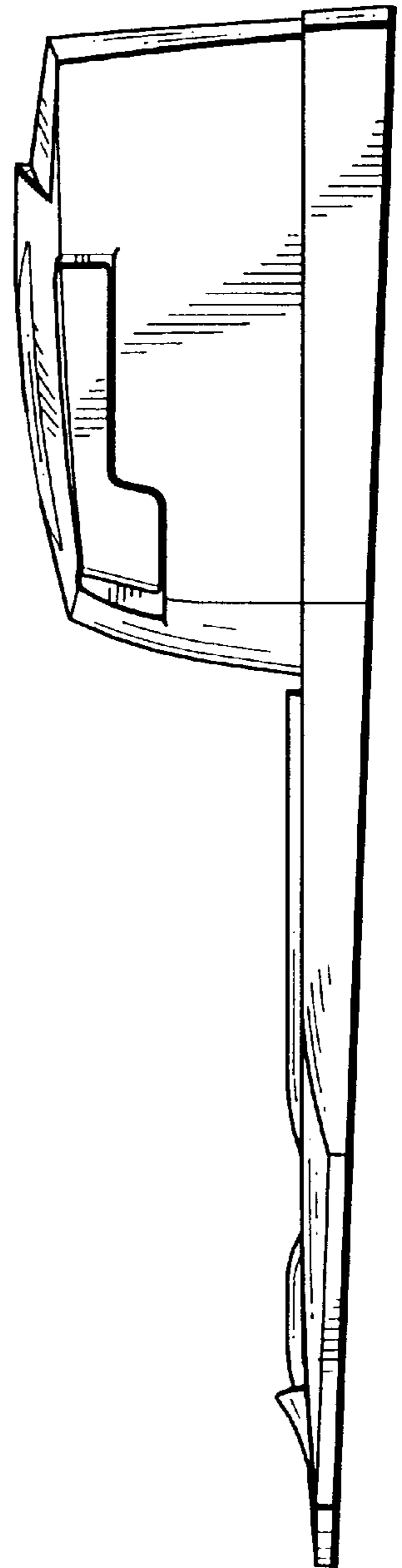


FIG. 5



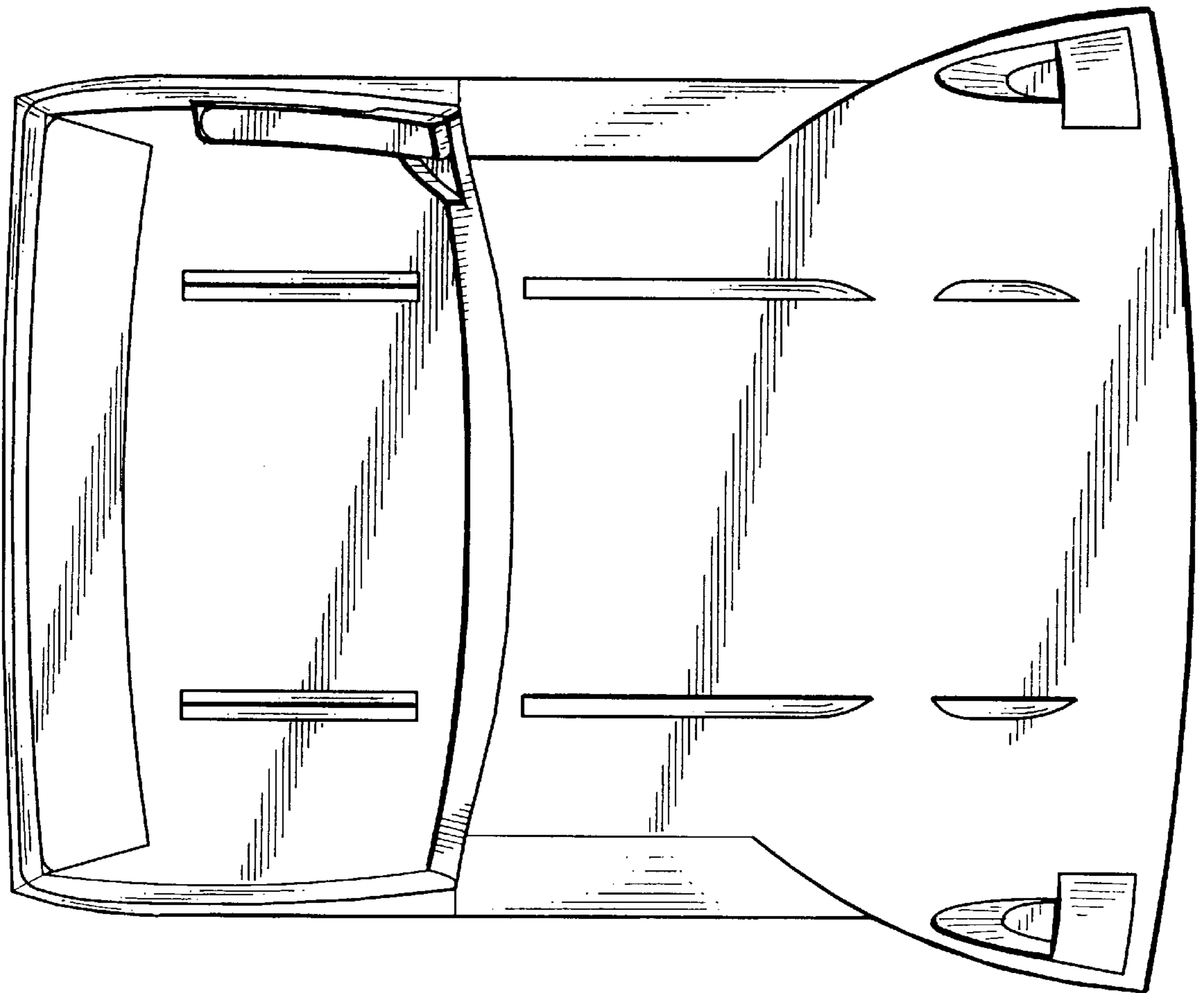


FIG. 6

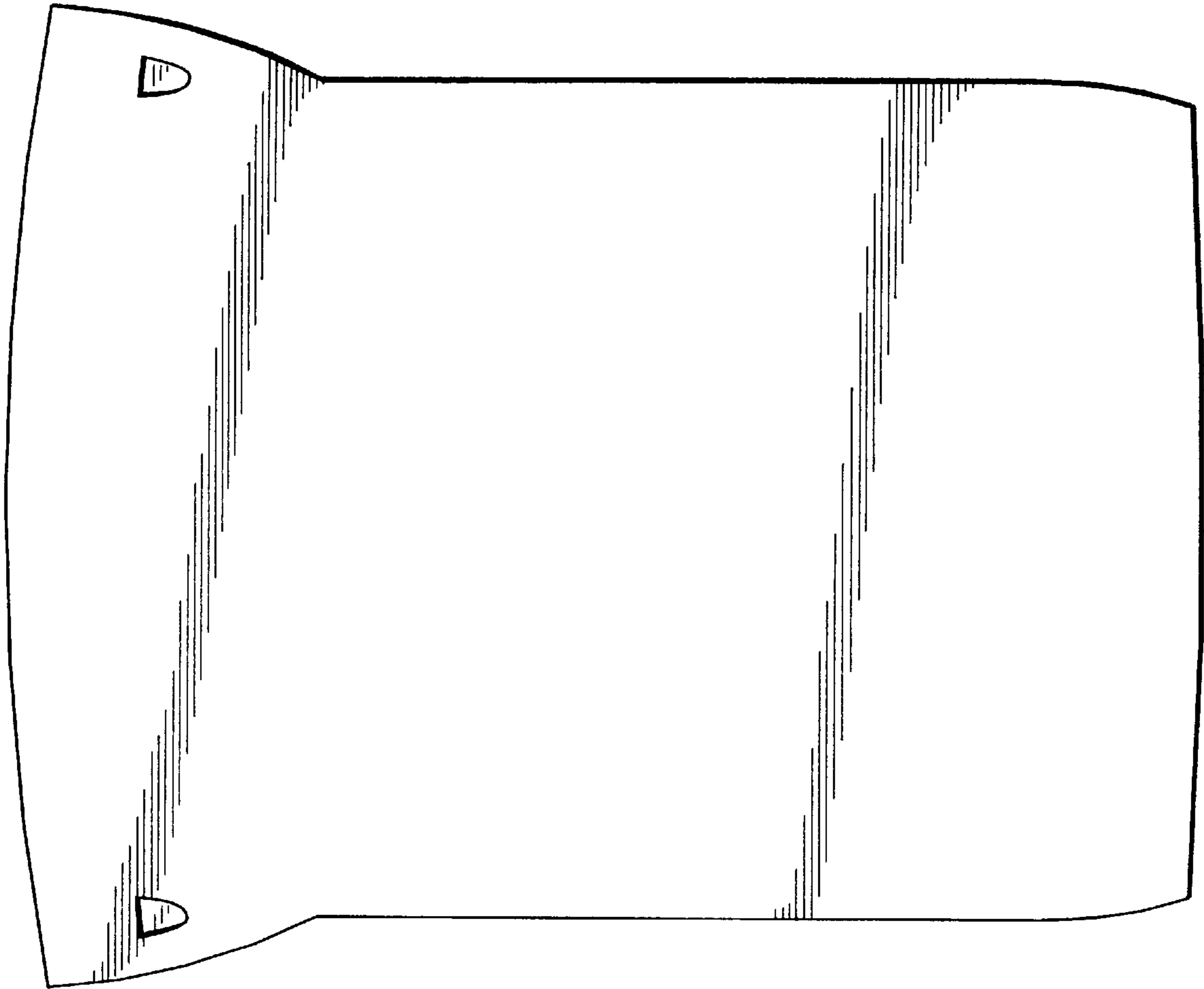


FIG. 7