



US00D415739S

United States Patent [19]
Yamamoto

[11] **Patent Number: Des. 415,739**

[45] **Date of Patent: ** Oct. 26, 1999**

[54] **WRITER FOR MEMORY CARD**

D. 324,209 2/1992 Tanabe D14/107
D. 357,235 4/1995 Takahashi D14/107

[75] Inventor: **Shigemi Yamamoto**, Chofu, Japan

[73] Assignee: **Juki Corporation**, Tokyo, Japan

[**] Term: **14 Years**

Primary Examiner—Freda Nunn
Attorney, Agent, or Firm—Morgan & Finnegan LLP

[21] Appl. No.: **29/092,131**

[22] Filed: **Aug. 13, 1998**

[57] **CLAIM**

The ornamental design for a writer for memory card, as shown and described.

[30] **Foreign Application Priority Data**

Feb. 13, 1998 [JP] Japan 10-3991

DESCRIPTION

[51] **LOC (6) Cl.** **14-02**

[52] **U.S. Cl.** **D14/107**

[58] **Field of Search** D14/100, 105,
D14/107-109, 114; D13/184, 199; 360/97.01,
97.04, 98.01, 99.01, 99.12; 361/600, 622,
724-728, 737

FIG. 1 is a perspective view of a writer for memory card showing my new design;

FIG. 2 is a top view thereof;

FIG. 3 is a bottom view thereof;

FIG. 4 is a front view thereof;

FIG. 5 is a back view thereof;

FIG. 6 is a right side view thereof; and,

FIG. 7 is a left side view thereof.

[56] **References Cited**

U.S. PATENT DOCUMENTS

D. 286,049 10/1986 Nishida D14/107

1 Claim, 3 Drawing Sheets

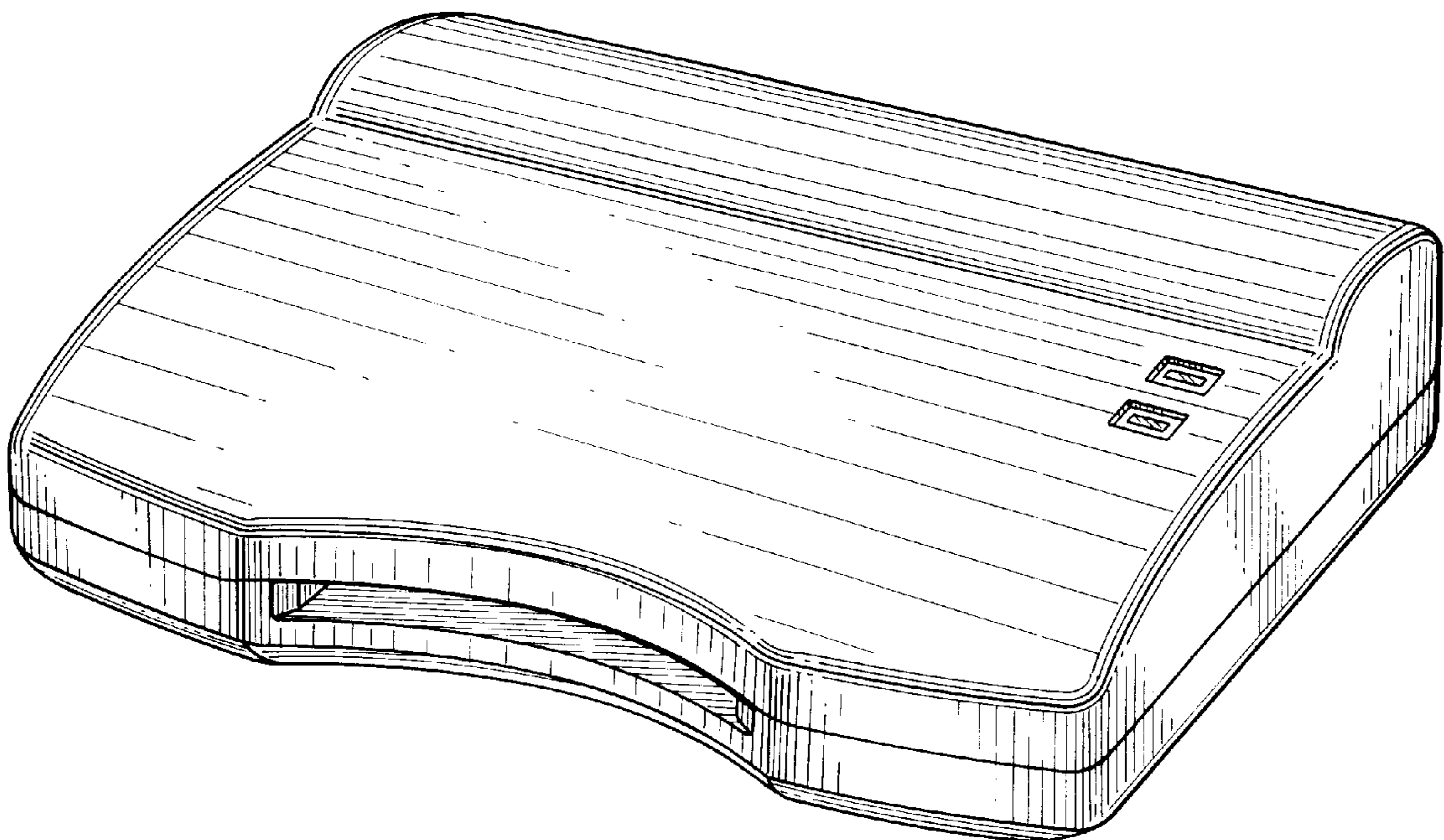


FIG.1

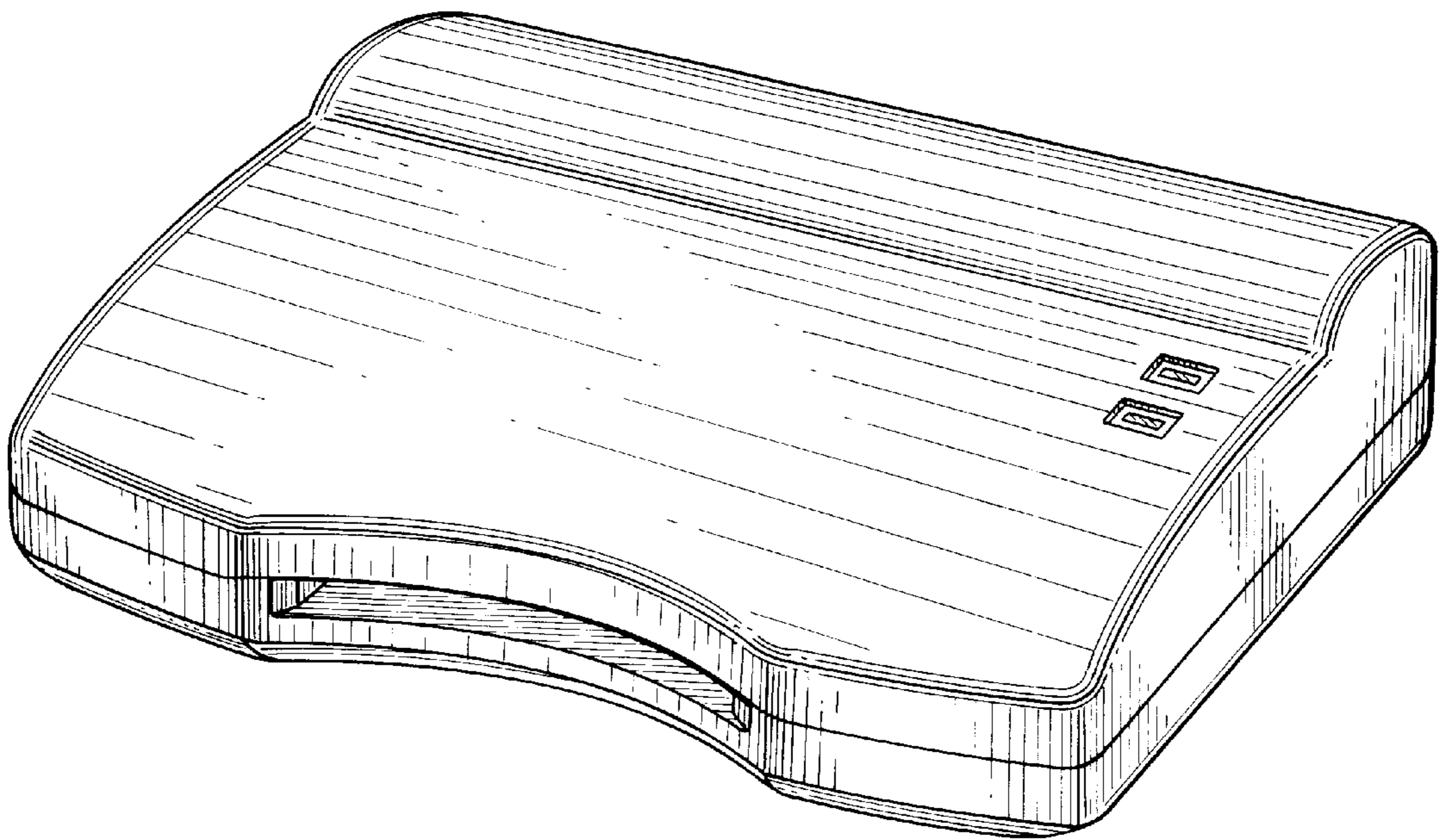


FIG.2

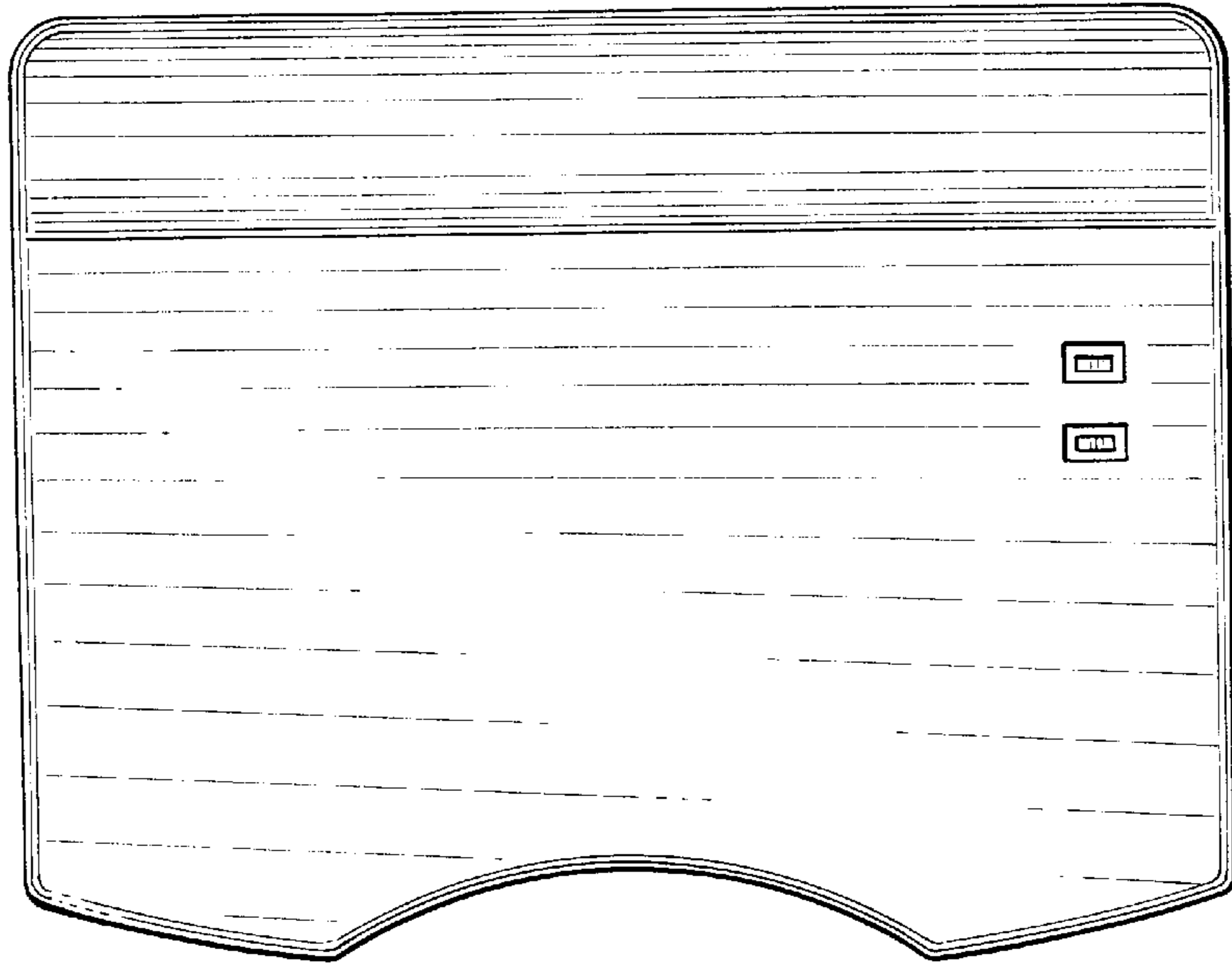


FIG.3

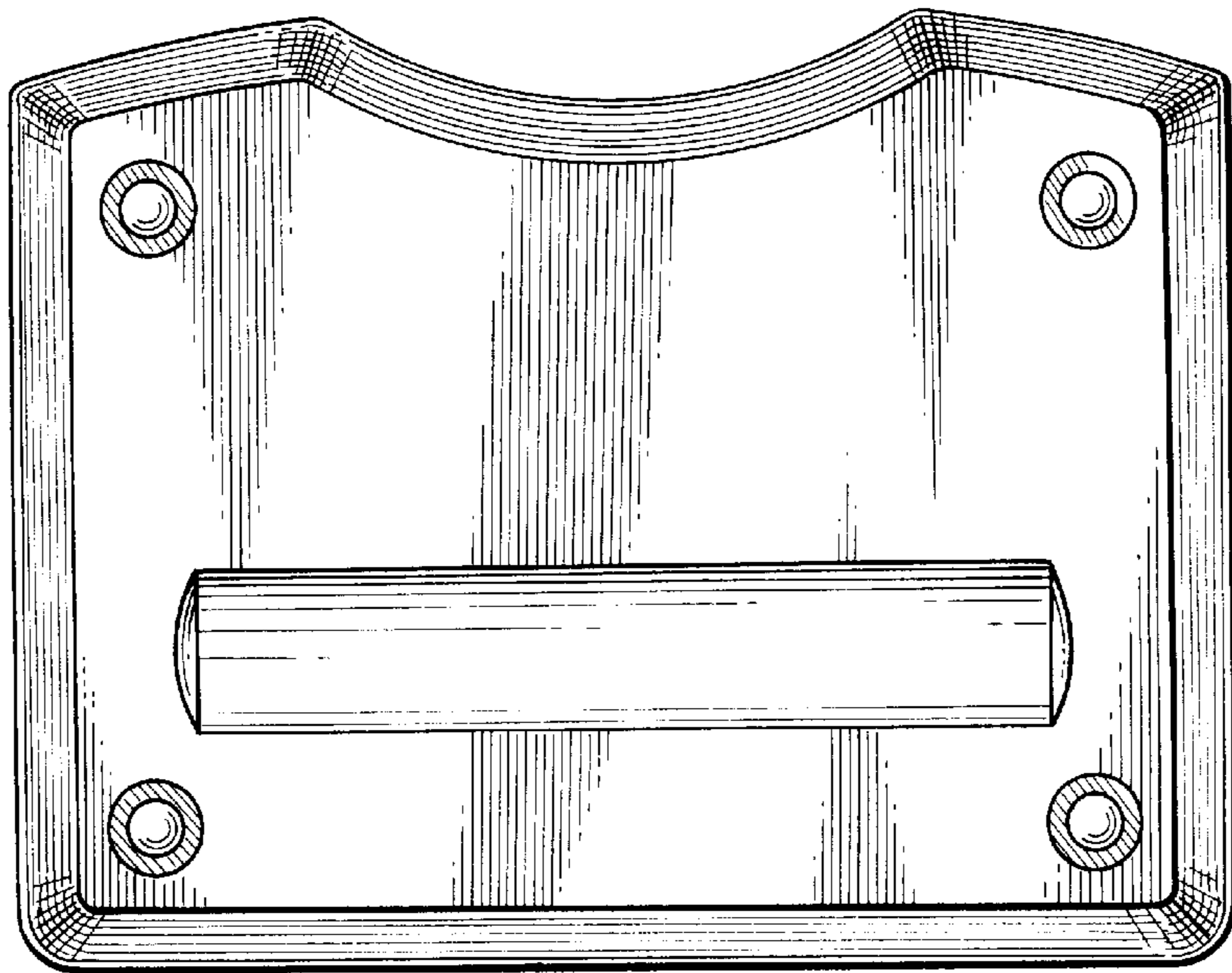


FIG.4

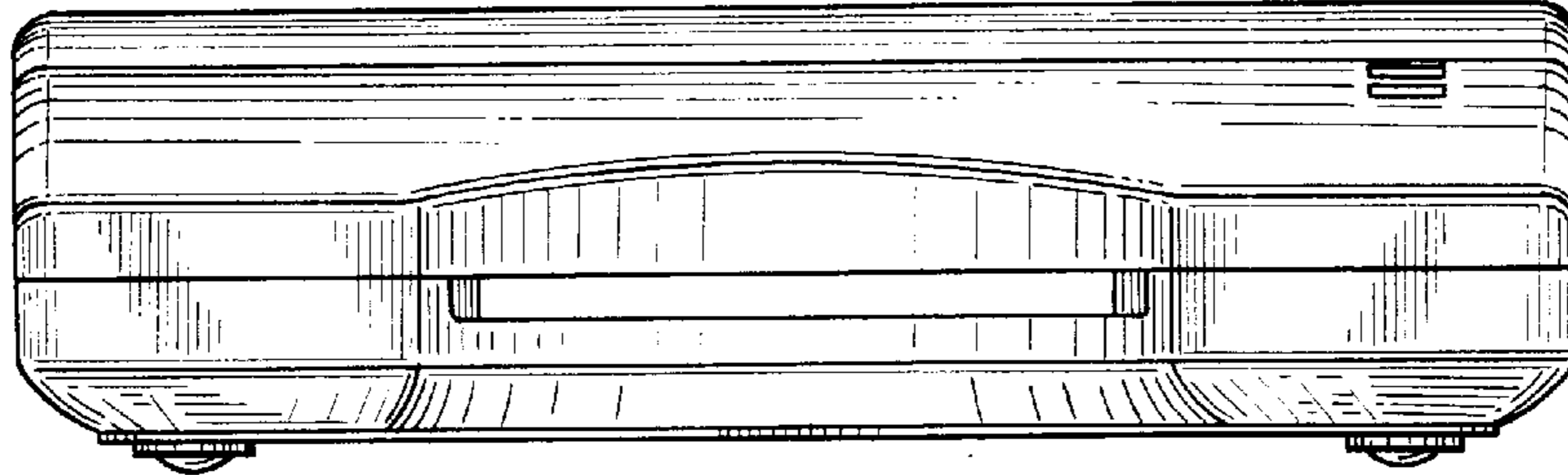


FIG.5

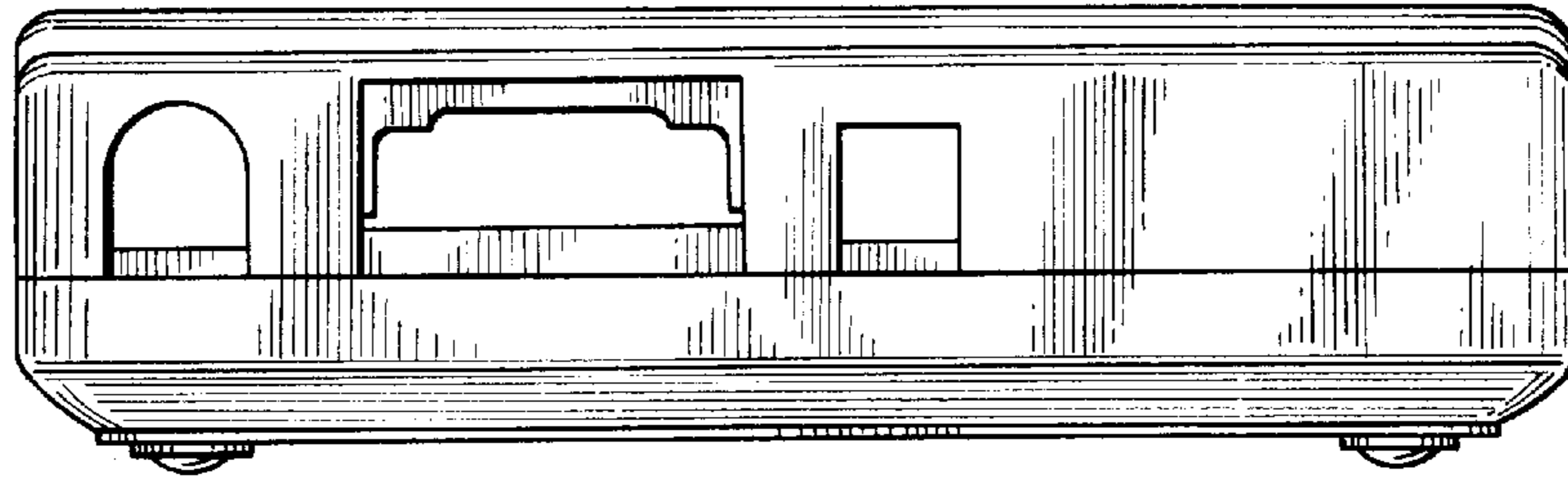


FIG.6

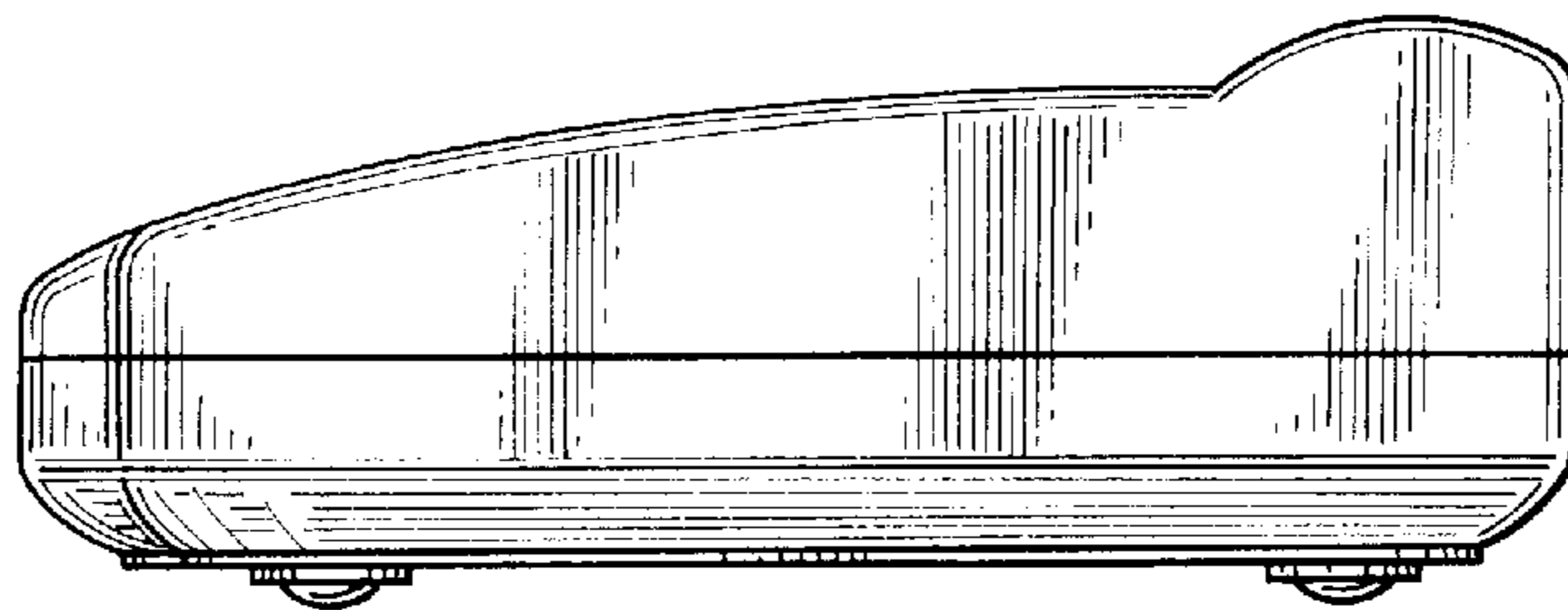


FIG.7

