



US00D415734S

United States Patent [19] Pomales

[11] **Patent Number: Des. 415,734**

[45] **Date of Patent: ** Oct. 26, 1999**

[54] **MOTORCYCLE GARAGE DOOR OPENER**

[76] Inventor: **Luis Pomales**, 207A Marlyn Ave.,
Vineland, N.J. 08360

[*] Notice: This patent is subject to a terminal disclaimer.

[**] Term: **14 Years**

[21] Appl. No.: **29/050,946**

[22] Filed: **Feb. 26, 1996**

[51] **LOC (6) Cl.** **13-03**

[52] **U.S. Cl.** **D13/168**

[58] **Field of Search** D13/168; D14/137,
D14/155, 159, 191, 192, 217, 218; D10/104,
106, 116; 296/37.7, 214; 340/825.69, 825.72;
455/151.1-151.4, 352-355

[56] **References Cited**

U.S. PATENT DOCUMENTS

D. 316,379 4/1991 Labas D10/116
4,392,256 7/1983 Russell 455/354

Primary Examiner—James Gandy
Assistant Examiner—Cathron B. Matta

[57] **CLAIM**

The ornamental design for a motorcycle garage door opener, as shown and described.

DESCRIPTION

FIG. 1 is a perspective view of a motorcycle garage door opener showing my new design; FIG. 2 is a front view the transmitter portion thereof; FIG. 3 is a rear view thereof; FIG. 4 is a right side view thereof; FIG. 5 is a left side thereof; FIG. 6 is a top view thereof; FIG. 7 is bottom view thereof; FIG. 8 is a side view of the control portion; All other side views are mirror images thereof; FIG. 9 is a top view thereof; and, FIG. 10 is a bottom view thereof.

The cord portion is shown broken away to represent that it is of an indeterminate length.

1 Claim, 5 Drawing Sheets

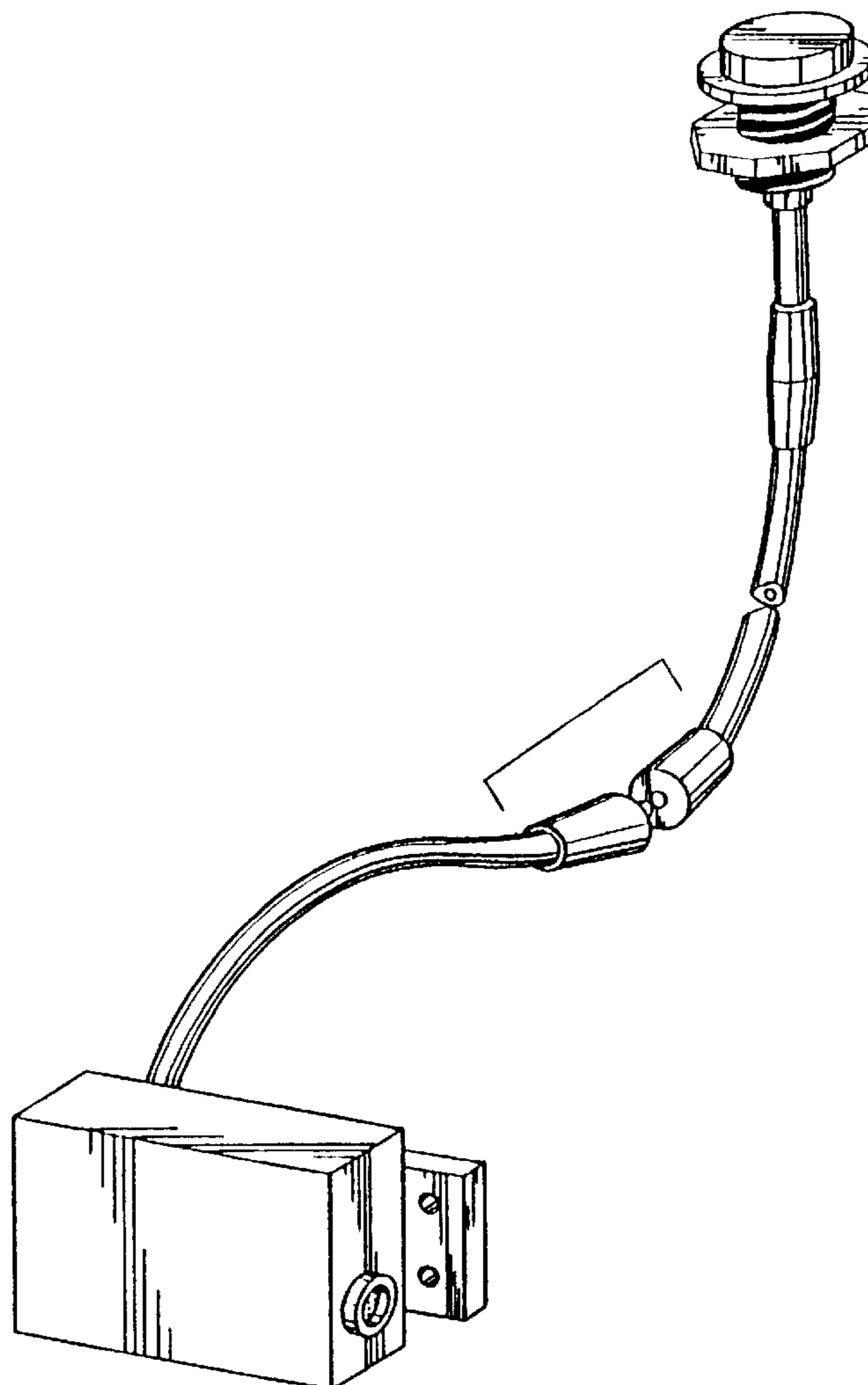
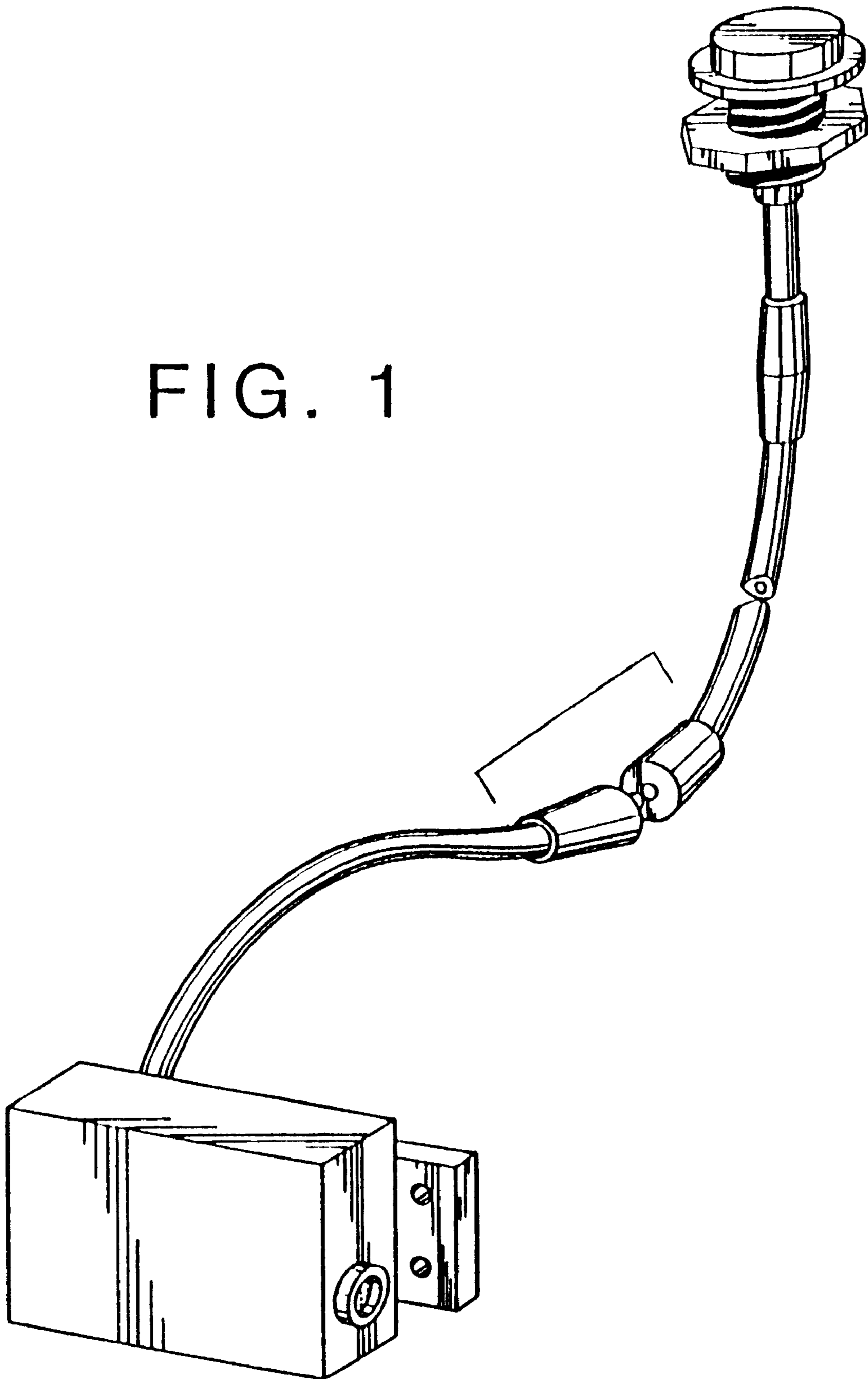


FIG. 1



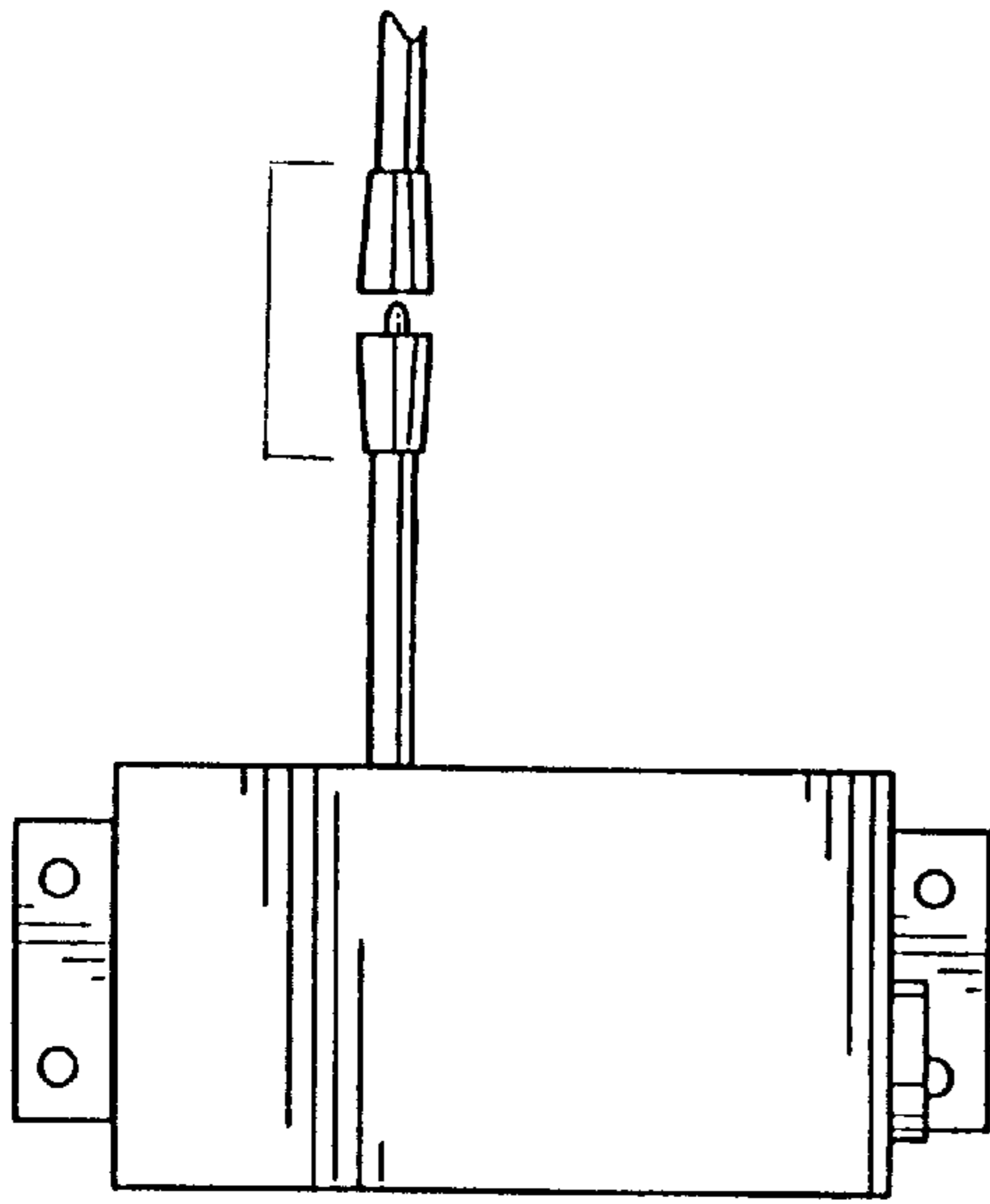


FIG. 2

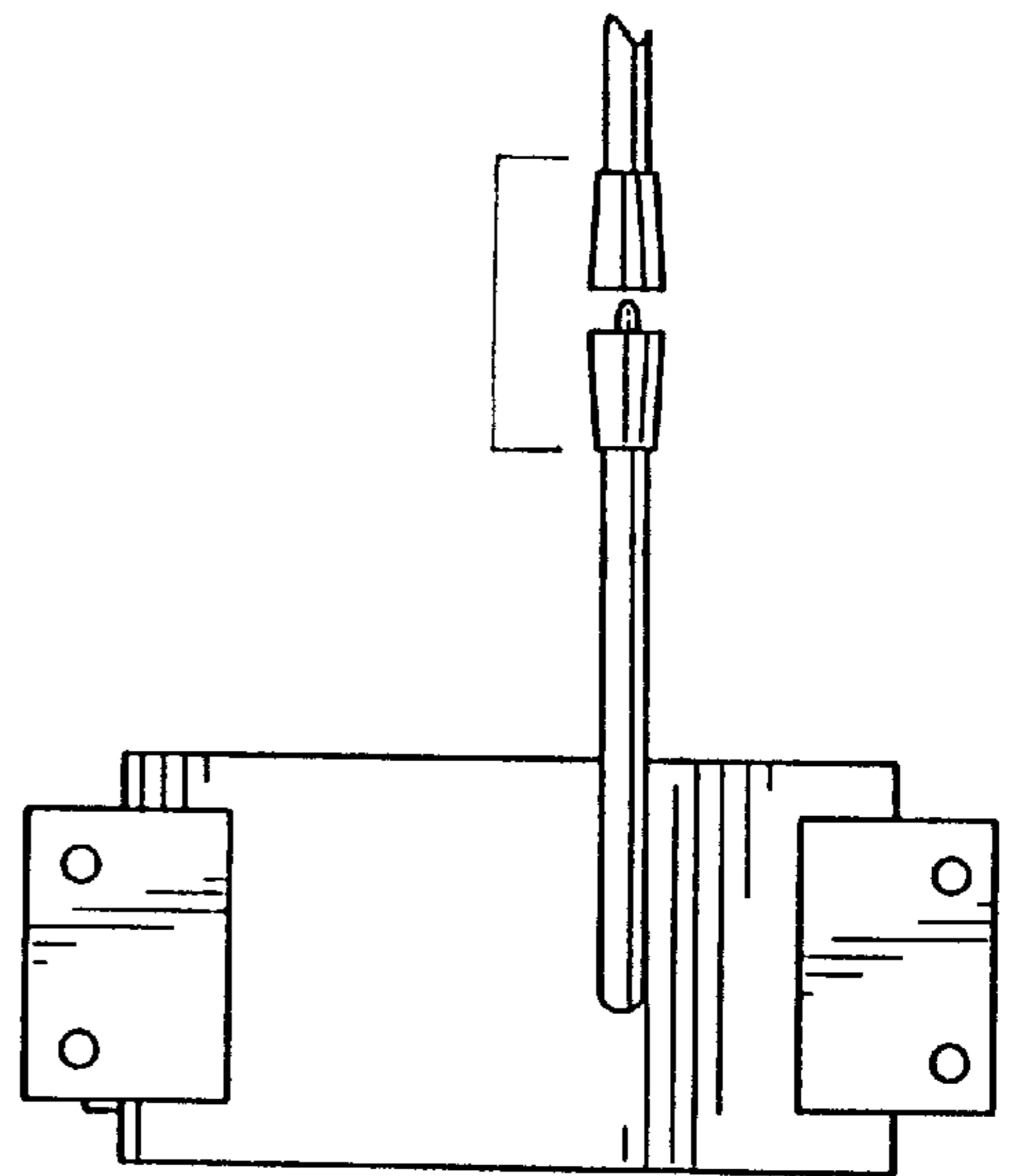


FIG. 3

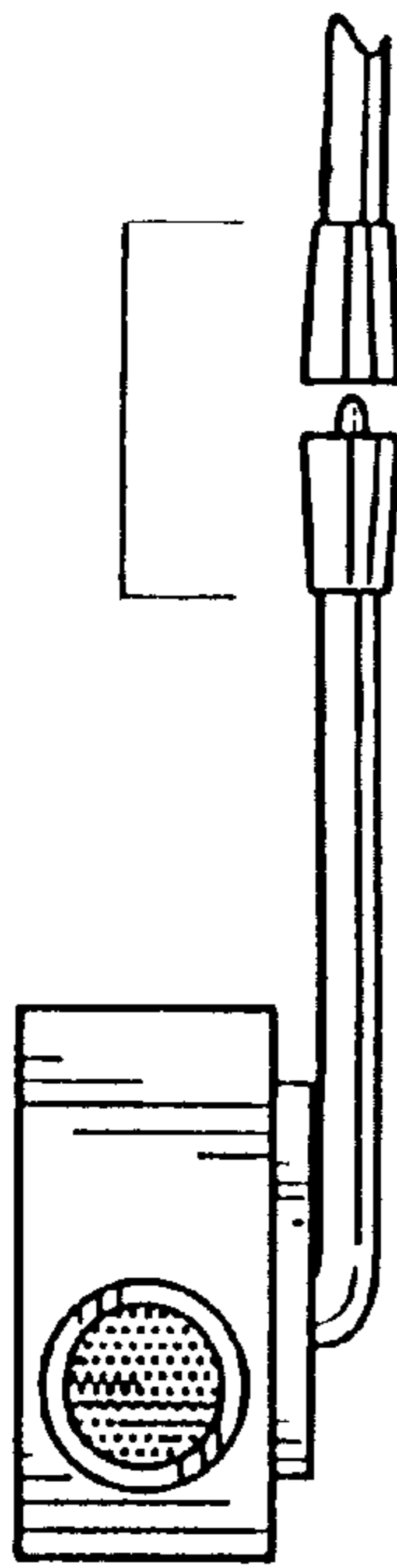


FIG. 4

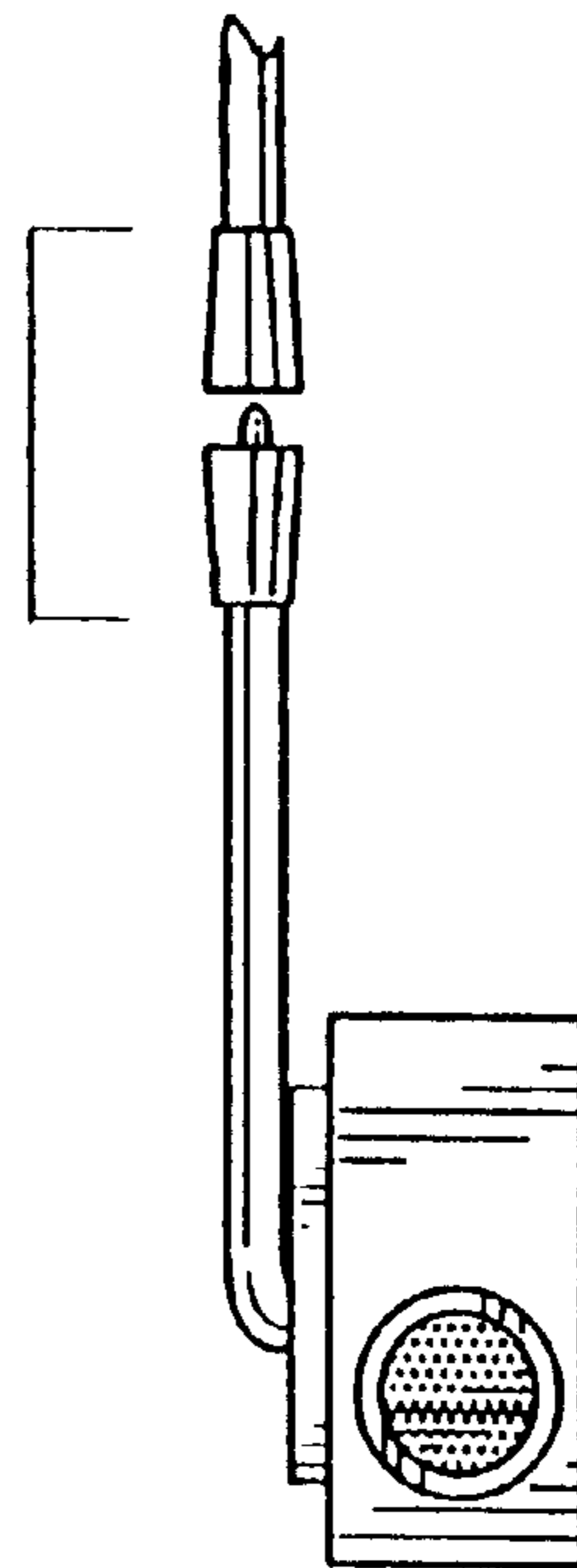


FIG. 5

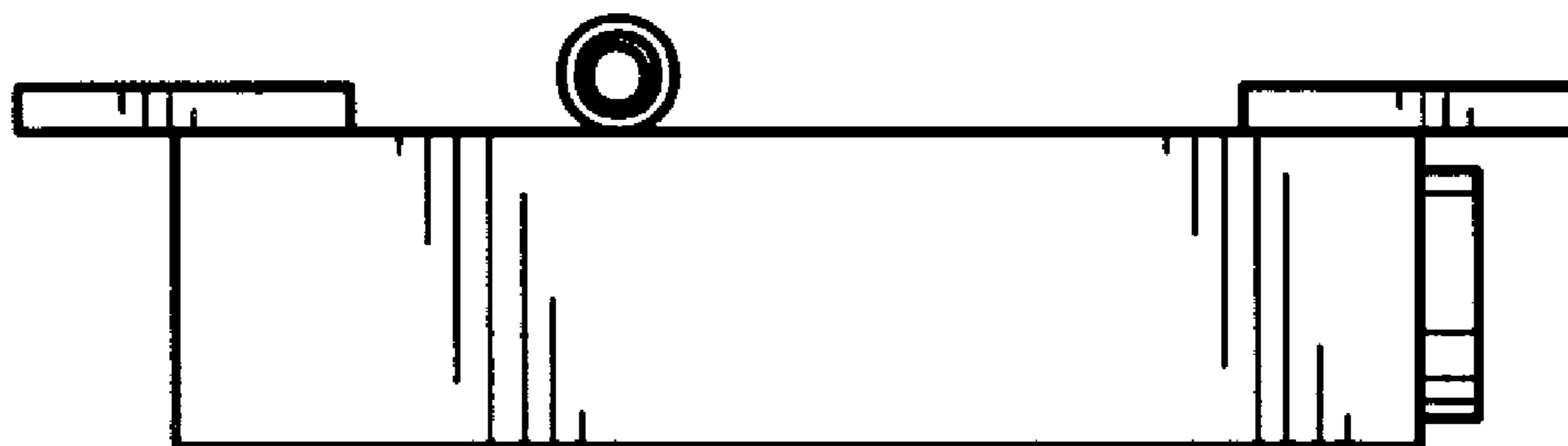


FIG. 6

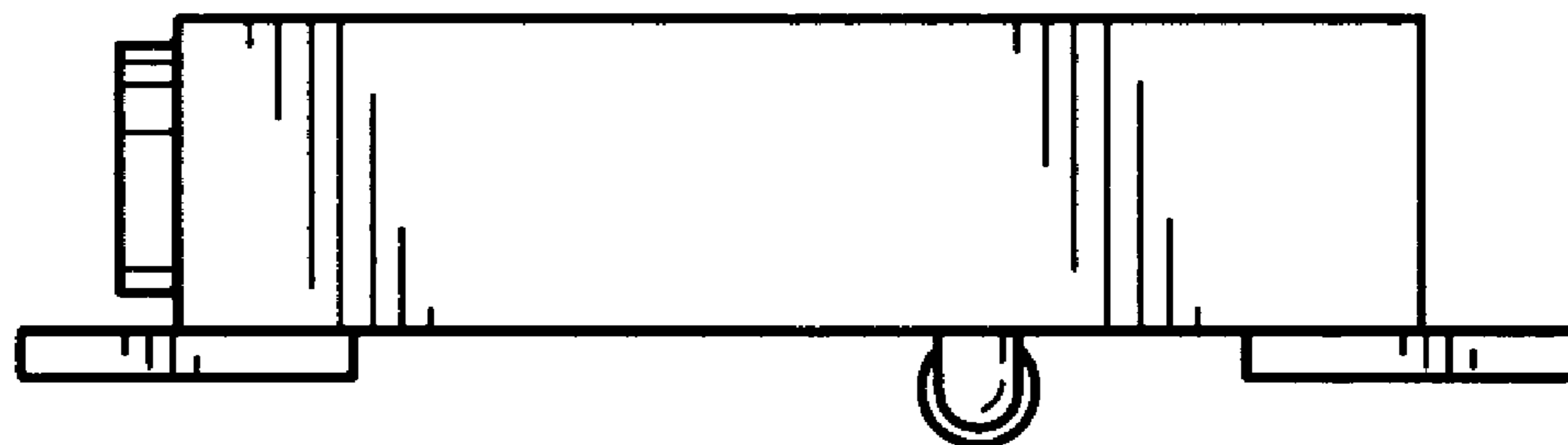


FIG. 7

FIG. 8

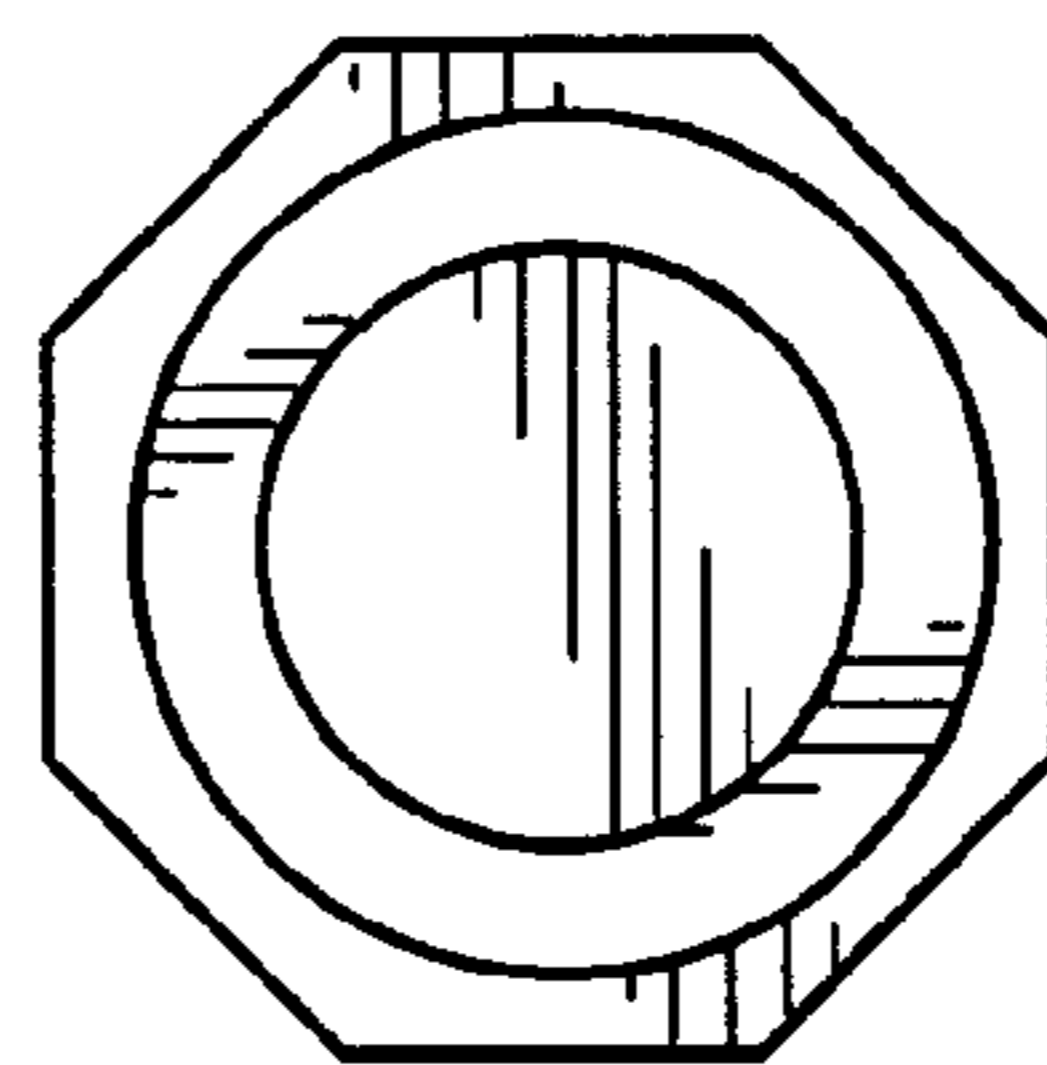
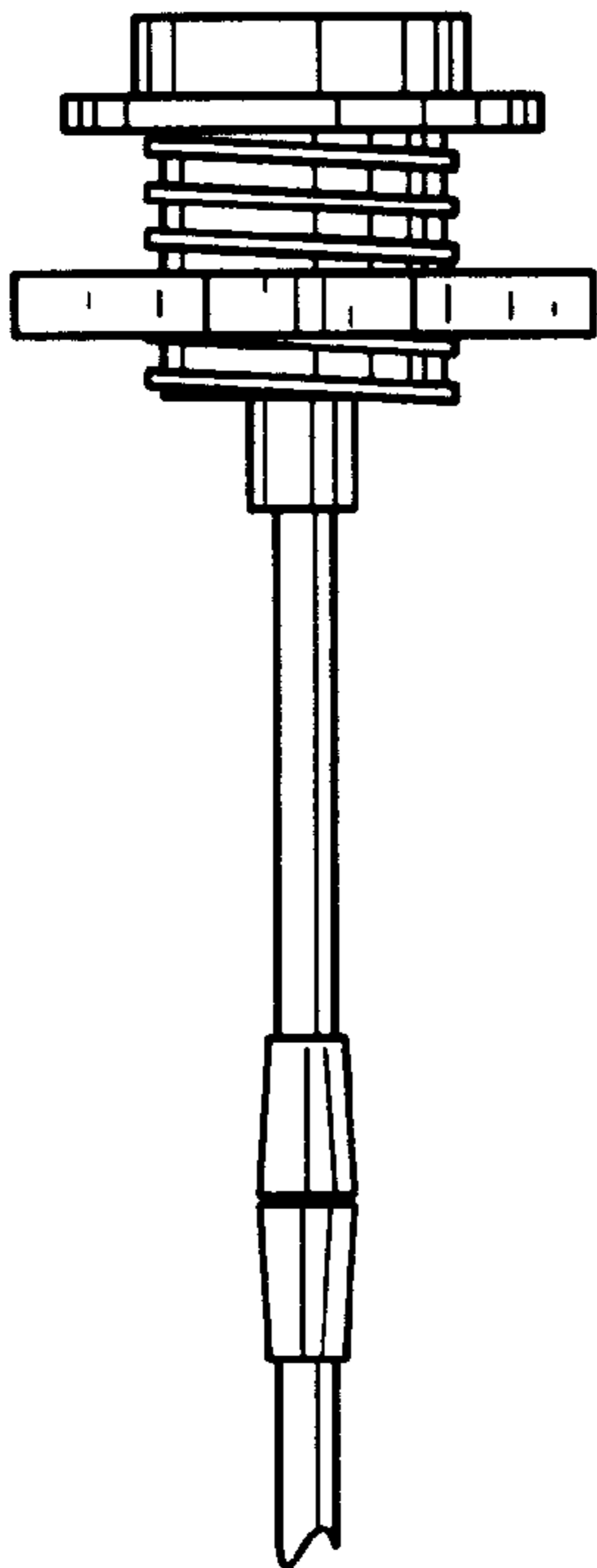


FIG. 9

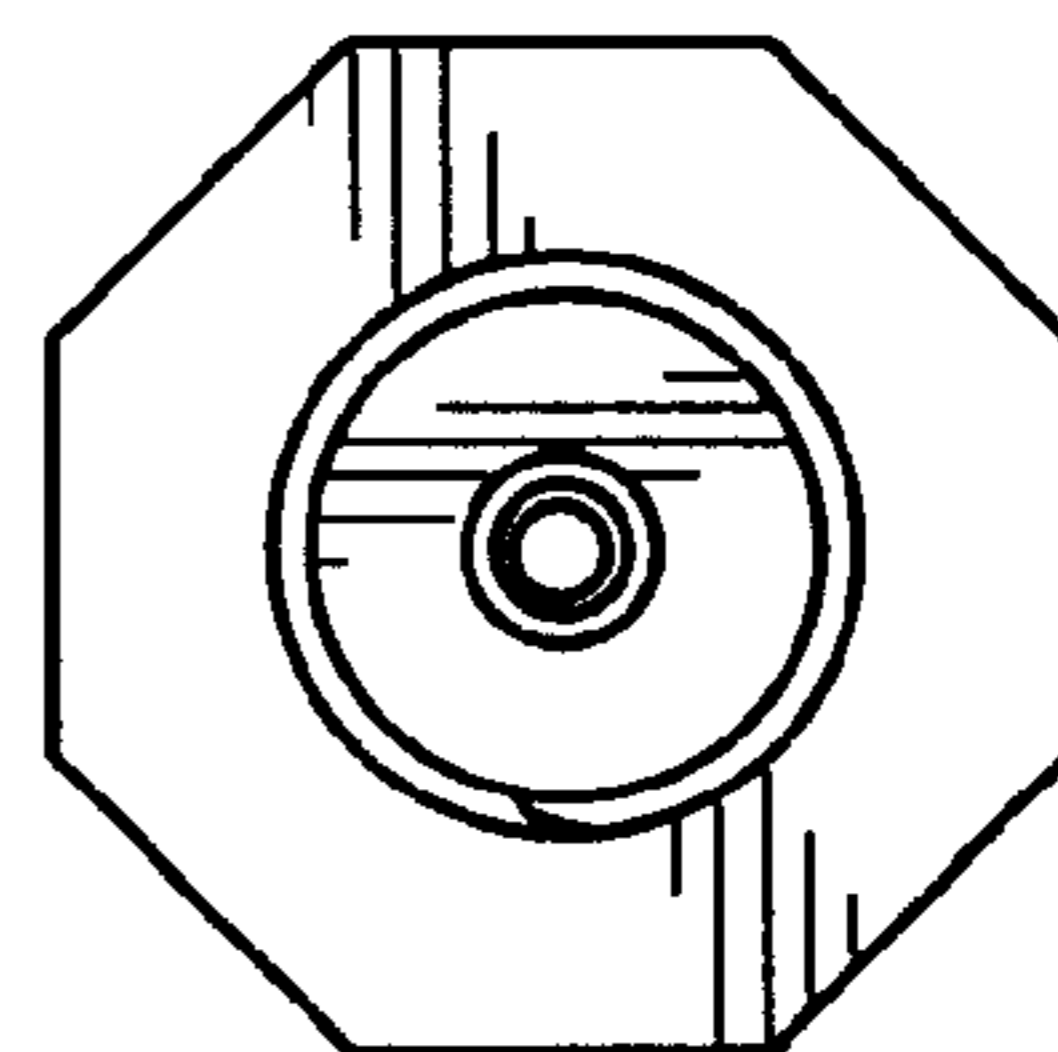


FIG. 10