



US00D415731S

United States Patent [19]
Bergh

[11] **Patent Number: Des. 415,731**

[45] **Date of Patent: ** Oct. 26, 1999**

[54] **COMPACT DISC HOLDER FOR ATTACHMENT TO A VEHICLE SUN-VISOR**

[75] Inventor: **James Allen Bergh**, Boulder, Colo.

[73] Assignee: **Case Logic, Inc.**, Longmont, Colo.

[**] Term: **14 Years**

[21] Appl. No.: **29/097,567**

[22] Filed: **Dec. 9, 1998**

[51] **LOC (6) Cl.** **12-16**

[52] **U.S. Cl.** **D12/417**

[58] **Field of Search** D12/191, 415,
D12/417-423; D3/215, 226, 247-249, 252-253;
224/311, 312, 275; 296/97.1-97.9, 97.11;
D6/620-635

[56] **References Cited**

U.S. PATENT DOCUMENTS

D. 362,159	9/1995	Singh	D12/417
D. 369,777	5/1996	Singh et al.	D12/417
D. 372,623	8/1996	Alves et al.	D12/417 X
D. 381,947	8/1997	Bergh et al.	D12/191
D. 382,527	8/1997	Alves et al.	D12/191
D. 386,146	11/1997	Fai	D12/417
D. 391,919	3/1998	Brassard	D12/417
D. 395,637	6/1998	Patterson	D12/417
D. 400,847	11/1998	Brassard	D12/417
D. 402,624	12/1998	Patterson	D12/417
5,590,827	1/1997	Nimpoeno	224/312
5,762,246	6/1998	Drew	224/312

Primary Examiner—Doris V. Coles
Assistant Examiner—Stacia Sinuik

Attorney, Agent, or Firm—Sheridan Ross P.C.

[57] **CLAIM**

The ornamental design for a compact disc holder for attachment to a vehicle sun-visor, as shown and described.

DESCRIPTION

FIG. 1 is a front elevation view of the compact disc holder for attachment to a vehicle sun-visor, showing my new design;

FIG. 2 is a left elevation view of the compact disc holder for attachment to a vehicle sun-visor illustrated in FIG. 1;

FIG. 3 is a top plan view of the compact disc holder for attachment to a vehicle sun-visor illustrated in FIG. 1;

FIG. 4 is a rear elevation view of the compact disc holder for attachment to a vehicle sun-visor illustrated in FIG. 1;

FIG. 5 is a right elevation view of the compact disc holder for attachment to a vehicle sun-visor illustrated in FIG. 1;

FIG. 6 is a bottom elevation view of the compact disc holder for attachment to a vehicle sun-visor illustrated in FIG. 1;

FIG. 7 is an enlarged left perspective view of the compact disc holder for attachment to a vehicle sun-visor illustrated in FIG. 1, depicted in a closed position; and,

FIG. 8 is an enlarge left perspective view of the compact disc holder for attachment to a vehicle sun-visor illustrated in FIG. 1, shown with environment.

The fragmented criss-cross shading in FIGS. 1 and 8 is representative of mesh which is understood to be continuous throughout the implied area.

The broken line showing of environment is for illustrative purposes only and forms no part of the claimed design.

1 Claim, 4 Drawing Sheets

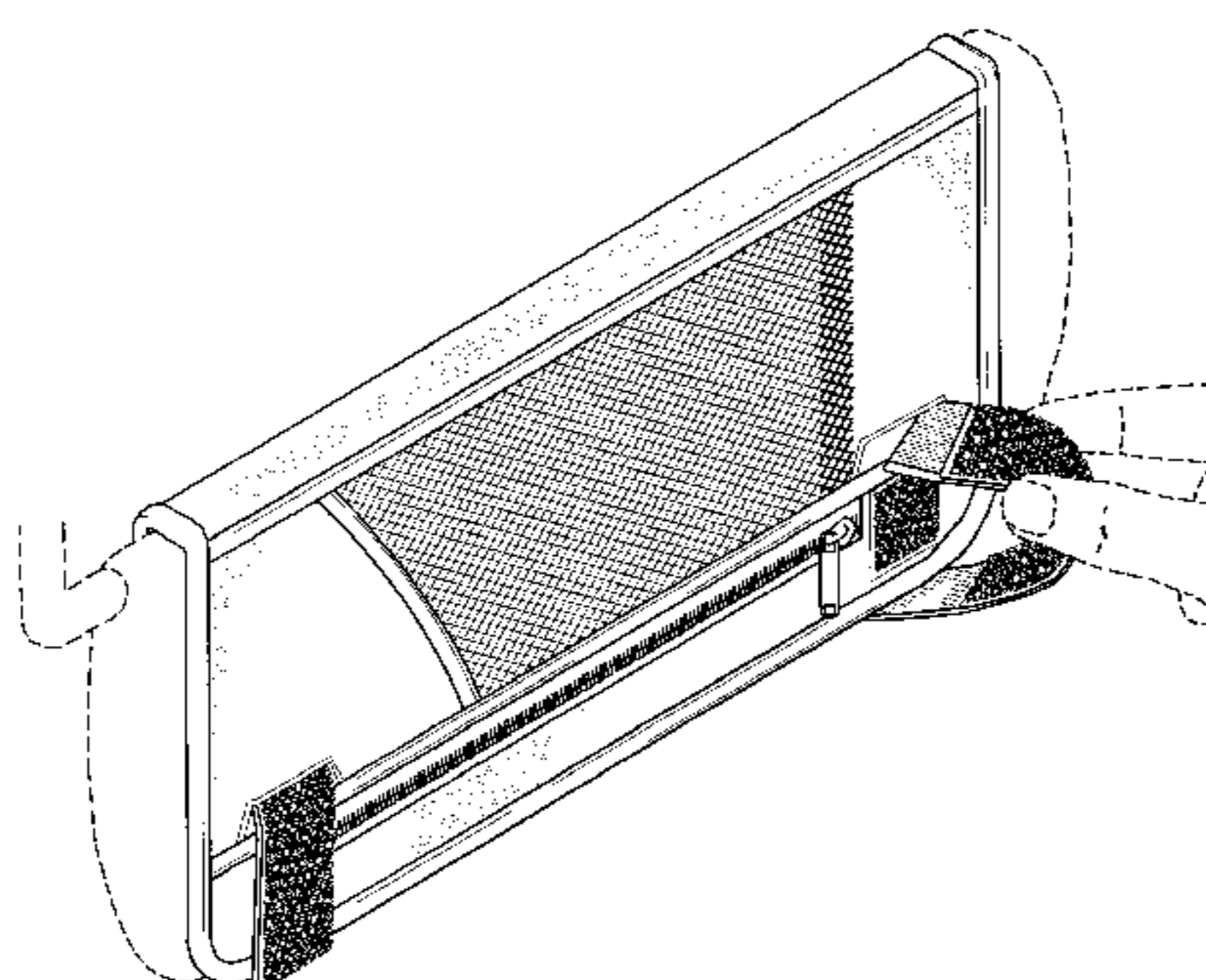
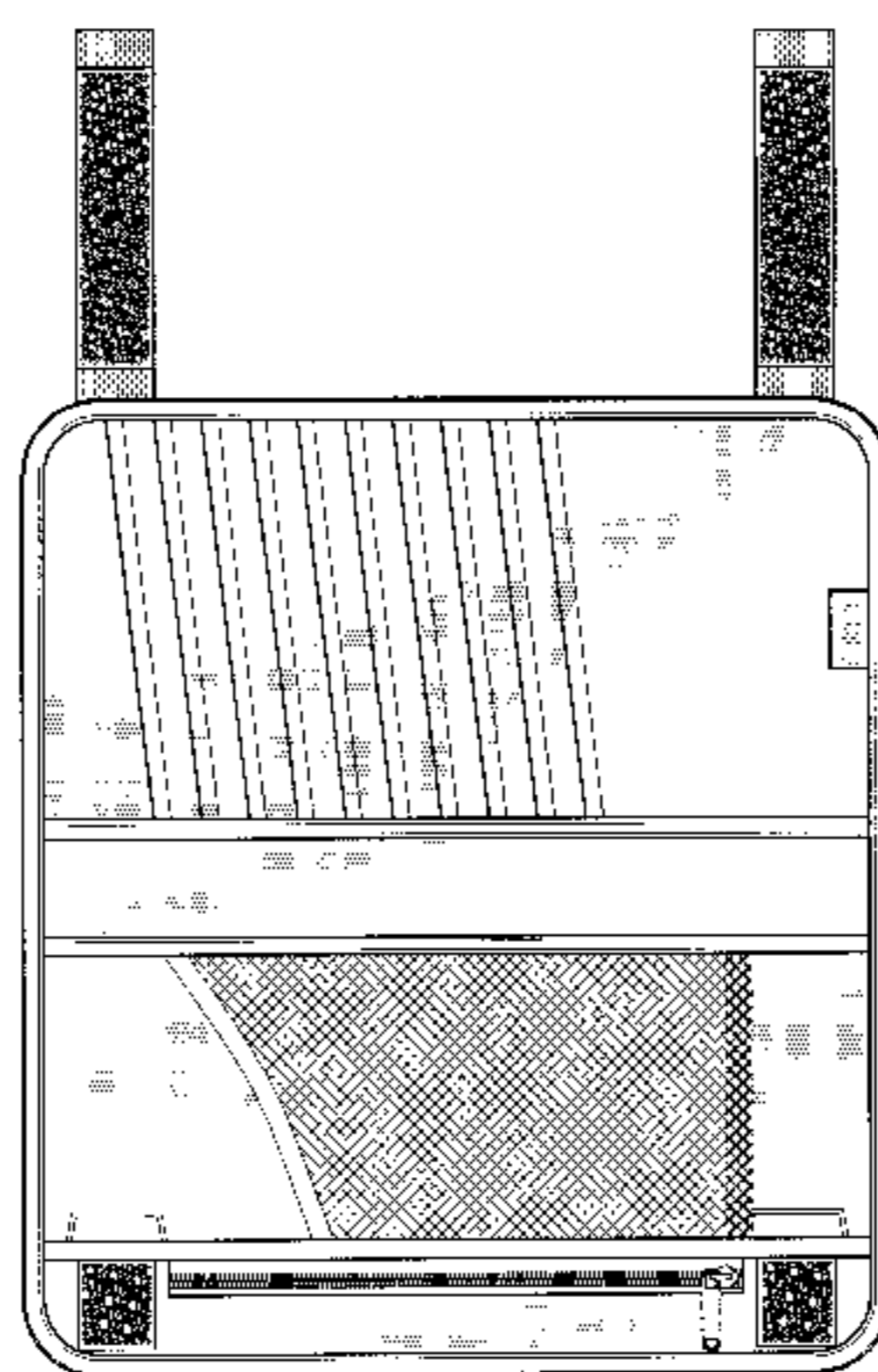




FIG. 2

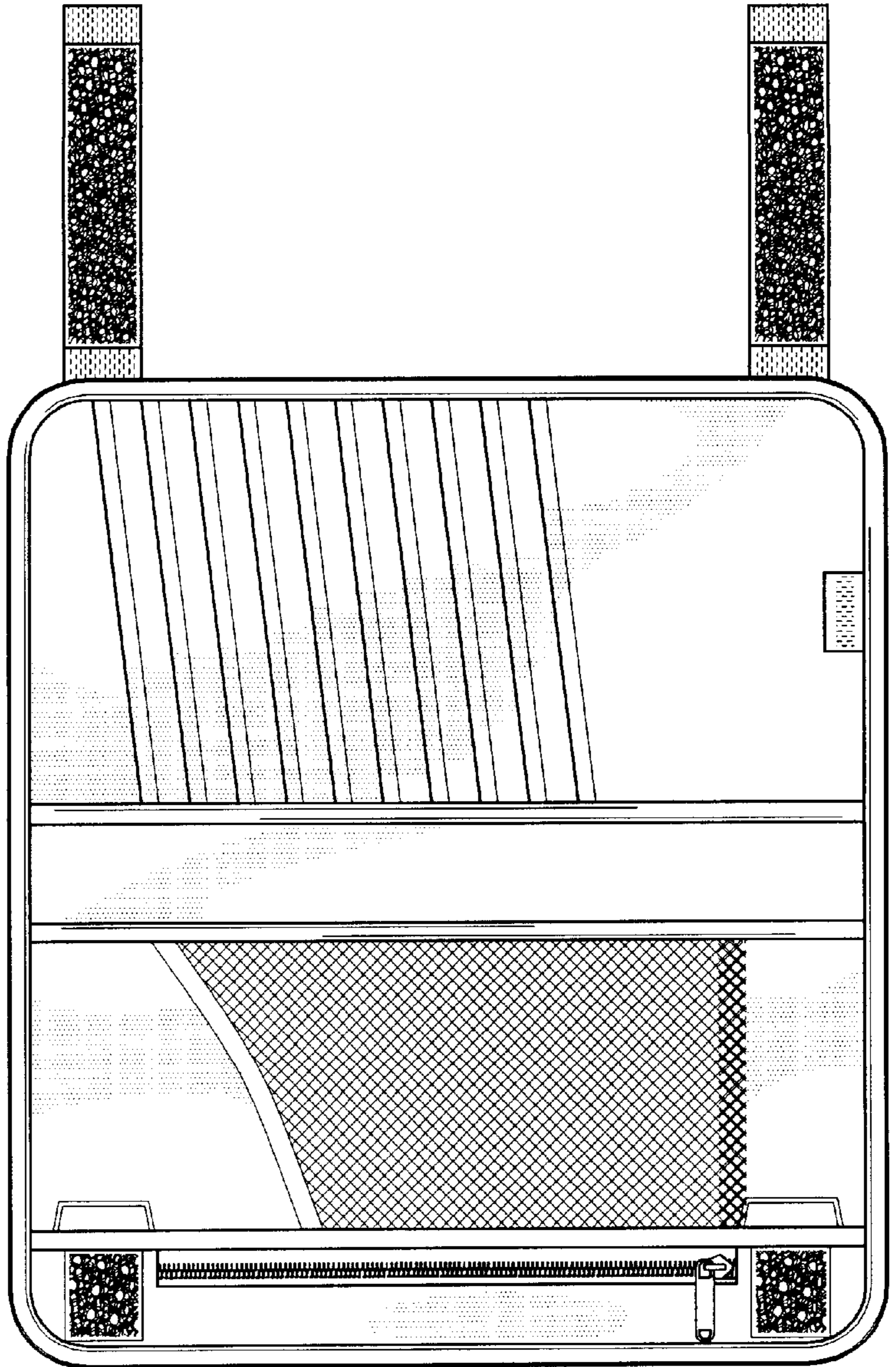


FIG. 1

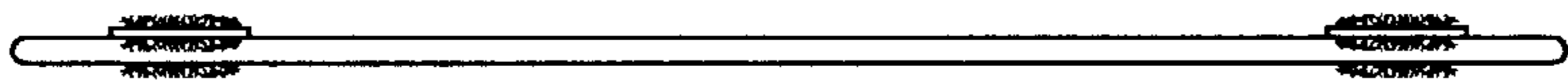


FIG. 3



FIG. 5

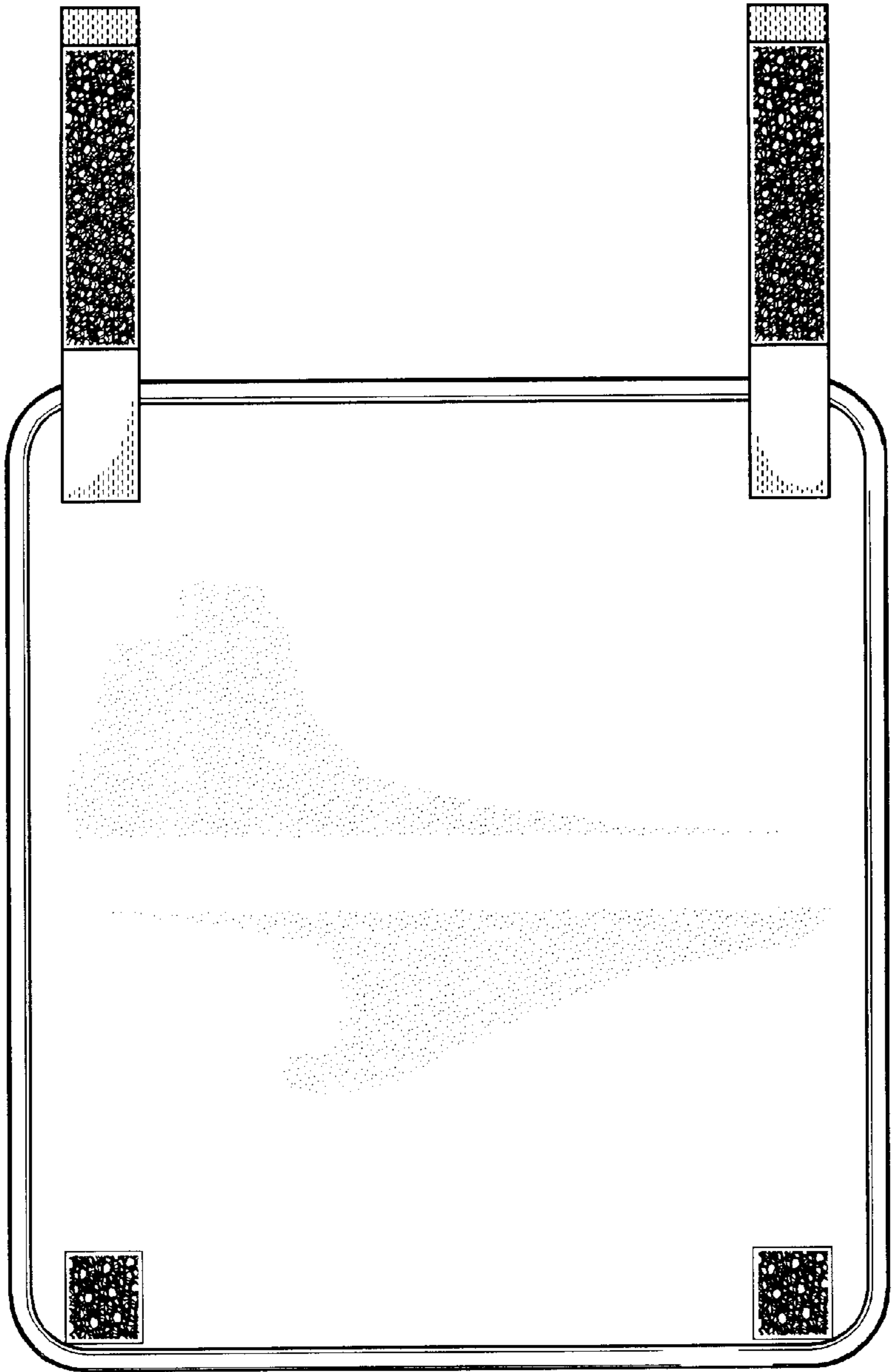


FIG. 4

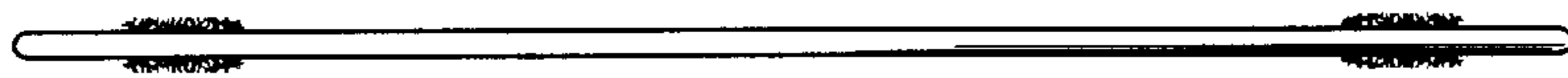


FIG. 6

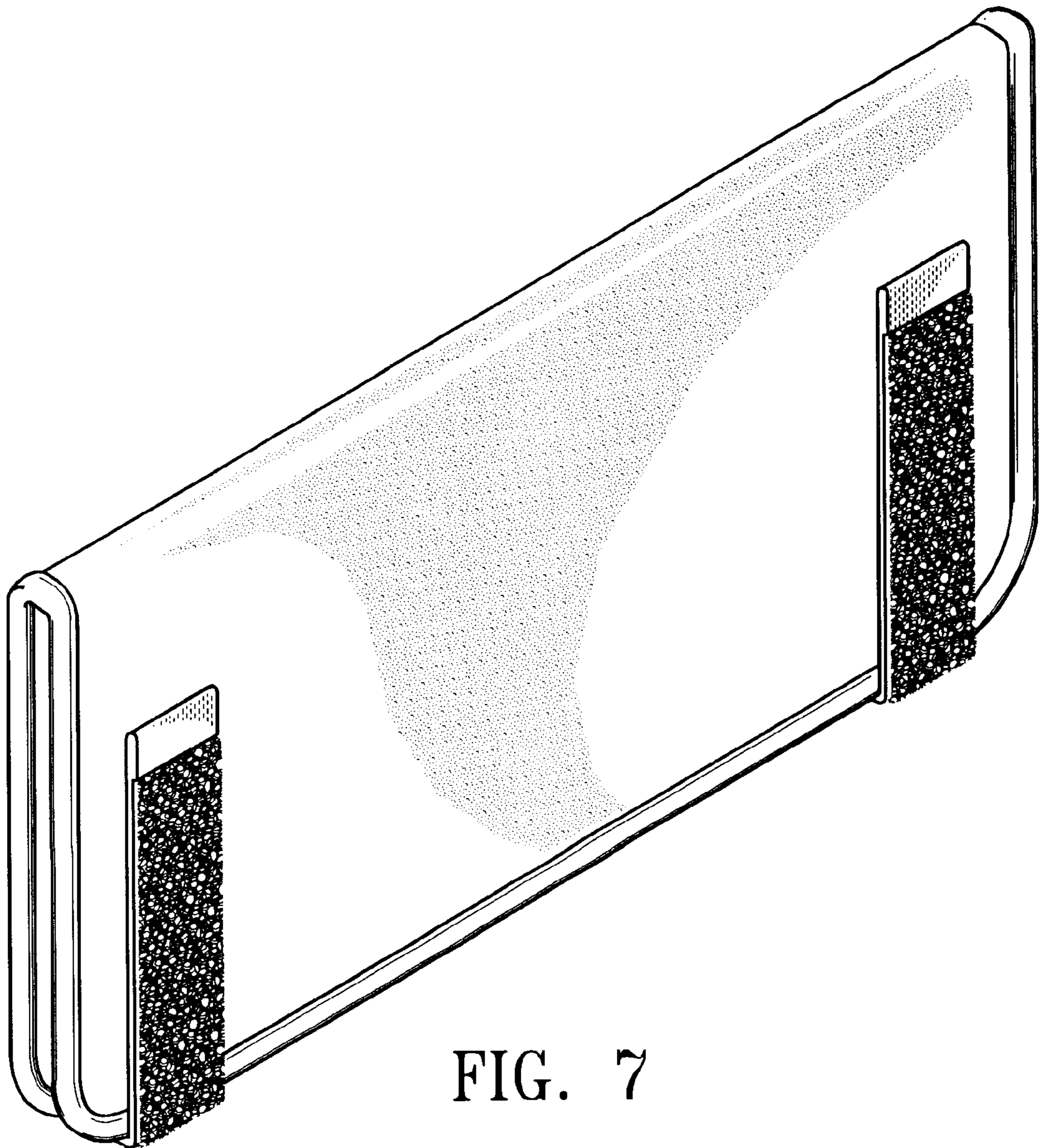


FIG. 7

