



US00D415727S

United States Patent [19] Jeffries

[11] Patent Number: **Des. 415,727**

[45] Date of Patent: **** Oct. 26, 1999**

[54] **TRUCK REAR STEP**

[76] Inventor: **Jerry Jeffries**, 23358 Los Pocitos,
Laguna Hills, Calif. 92653

[**] Term: **14 Years**

[21] Appl. No.: **29/099,860**

[22] Filed: **Jan. 29, 1999**

[51] **LOC (6) Cl.** **12-16**

[52] **U.S. Cl.** **D12/203**

[58] **Field of Search** D12/203, 190;
280/163, 164.1, 153.5, 848; 182/90-92;
D25/62, 69

[56] **References Cited**

U.S. PATENT DOCUMENTS

D. 193,332	8/1962	Crain	D12/203
D. 292,904	11/1987	Bielby	D12/203
D. 340,905	11/1993	Orth, Sr. et al.	D12/203
D. 361,319	8/1995	Orth, Sr. et al.	D12/203
D. 361,974	9/1995	Hornik	D12/203

D. 395,269	6/1998	McCauley, Jr.	D12/203
D. 400,149	10/1998	Zentner	D12/203
D. 400,151	10/1998	Zentner	D12/203
D. 400,485	11/1998	Zentner	D12/203
D. 400,486	11/1998	Zentner	D12/203

Primary Examiner—Doris V. Coles
Assistant Examiner—Stacia Sinuik
Attorney, Agent, or Firm—Price Gess & Ubell

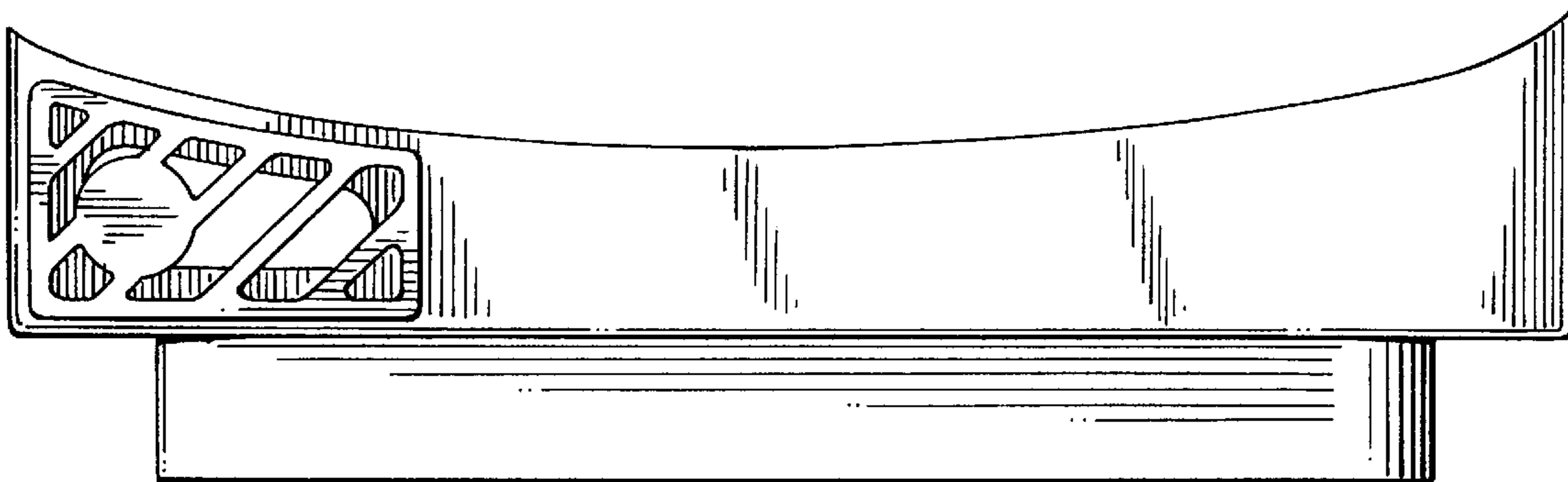
[57] **CLAIM**

The ornamental design for a truck rear step, as shown and described.

DESCRIPTION

FIG. 1 is a top plan view of the truck rear step, showing my new design;
FIG. 2 is a front elevational view thereof;
FIG. 3 is a left side elevational view thereof;
FIG. 4 is a right-side elevational view thereof;
FIG. 5 is a bottom plan view thereof; and,
FIG. 6 is a rear elevational view thereof.

1 Claim, 2 Drawing Sheets



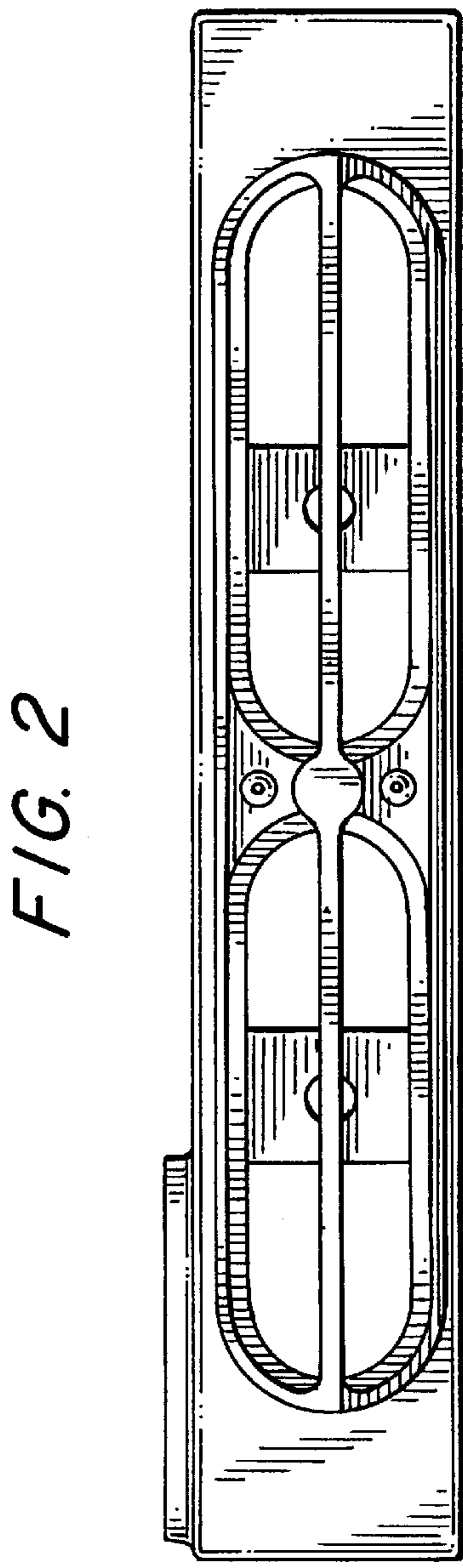
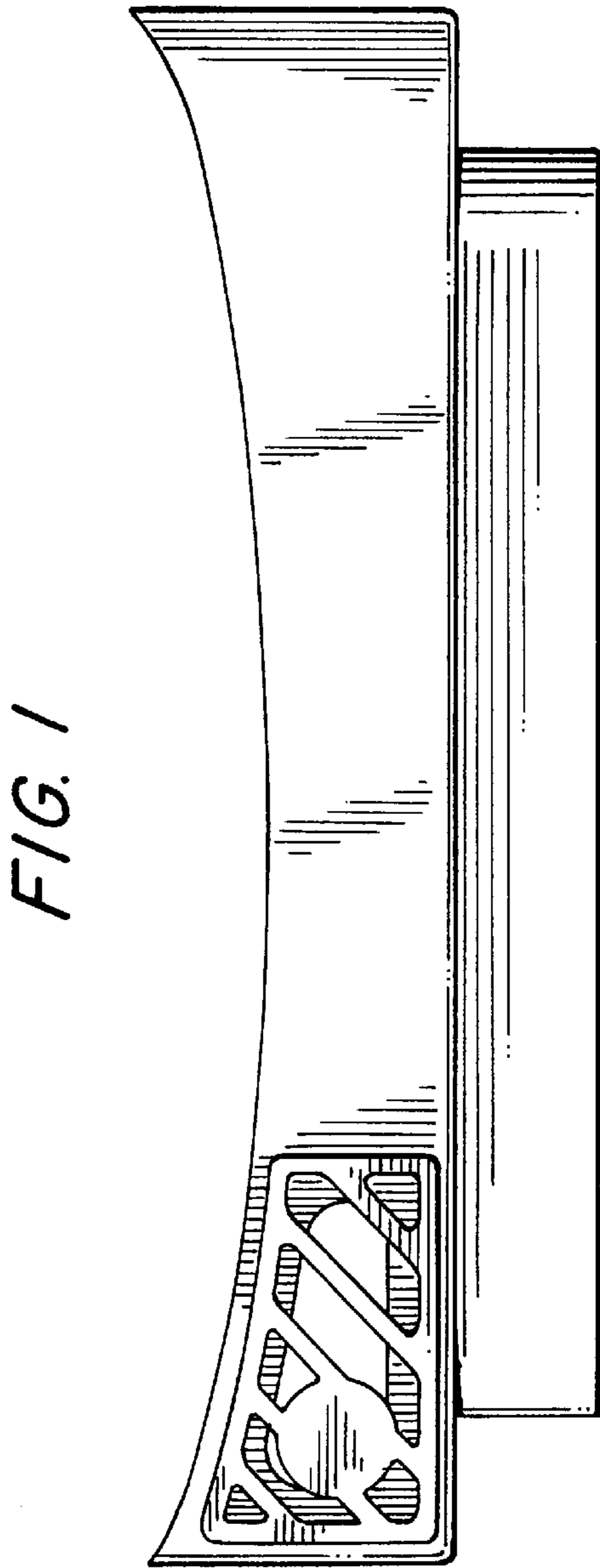
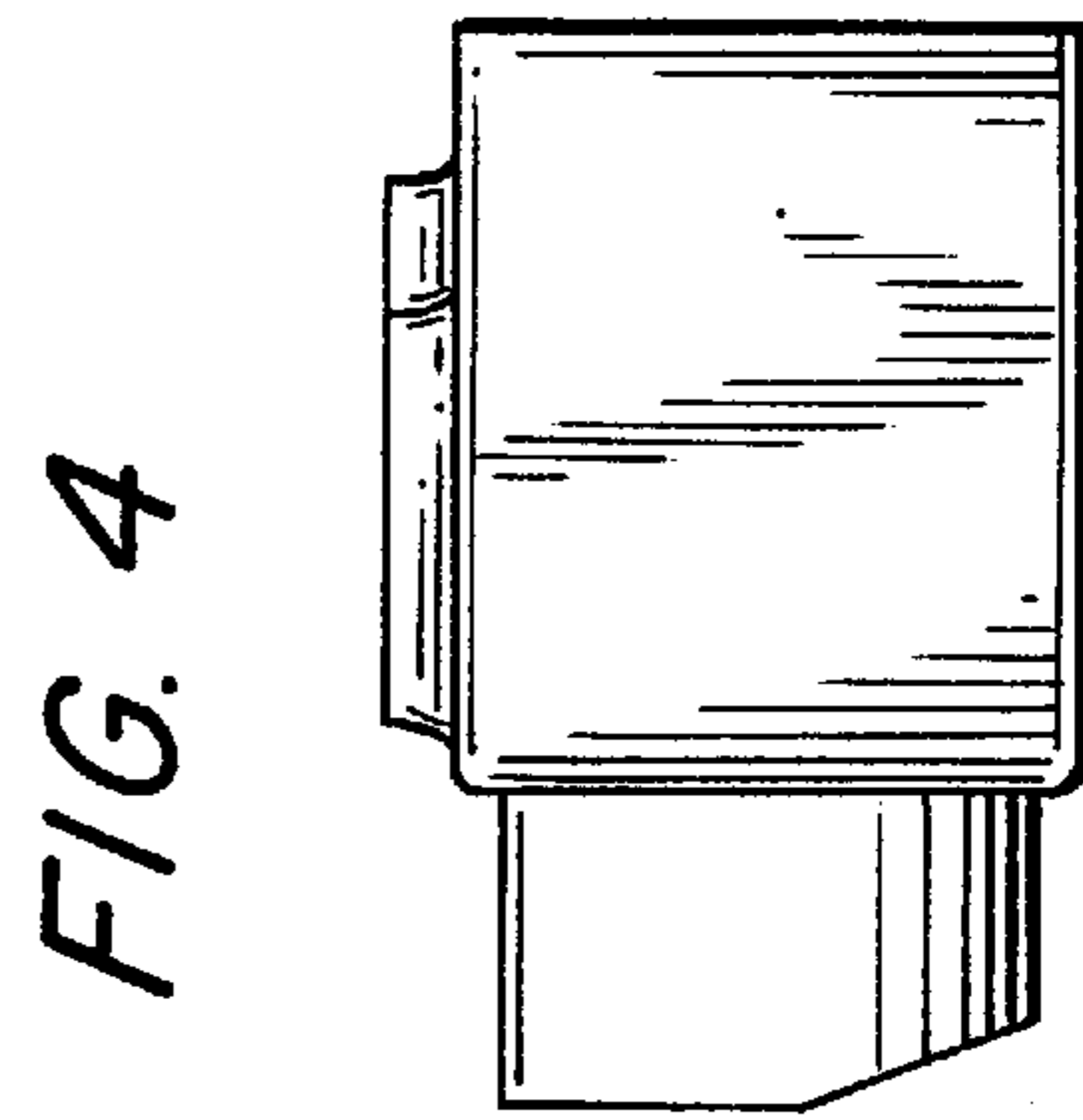
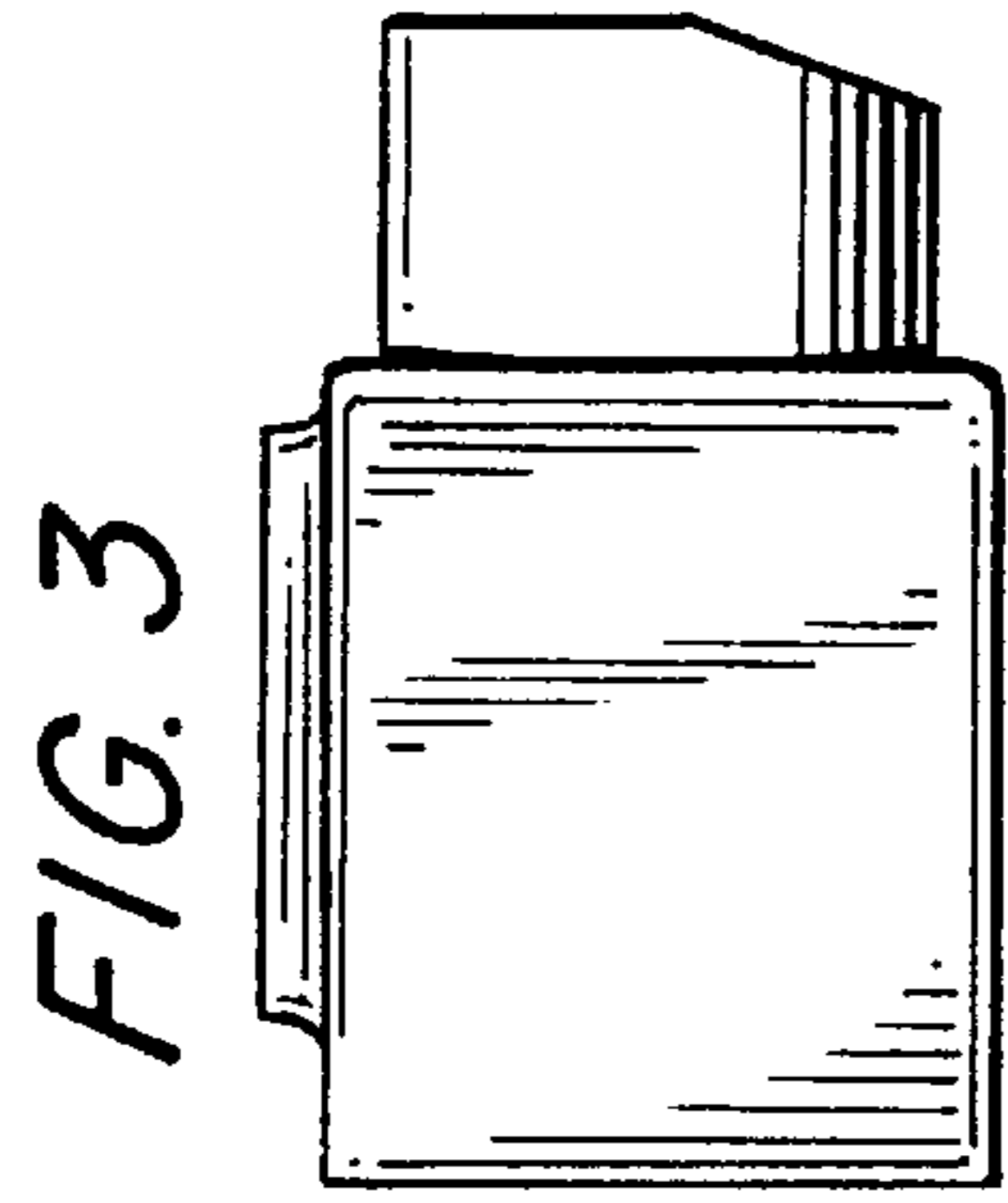


FIG. 5

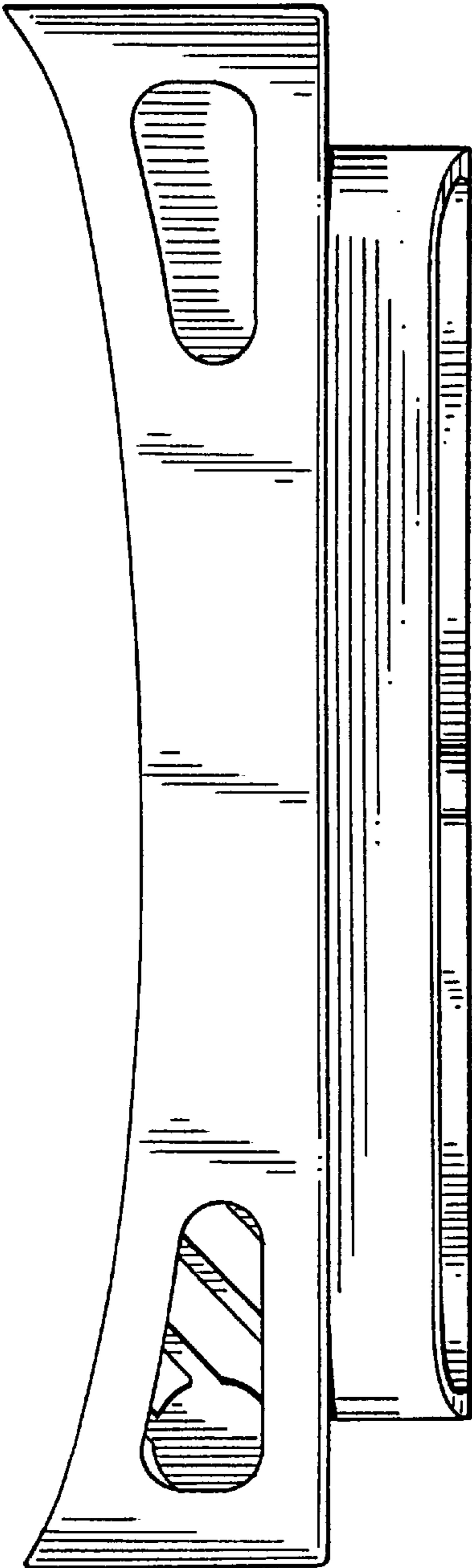


FIG. 6

