



US00D415725S

United States Patent [19] Wyant

[11] Patent Number: **Des. 415,725**

[45] Date of Patent: **** Oct. 26, 1999**

[54] **PORTABLE BALL HITCH ASSEMBLY**

[76] Inventor: **Walter Wyant**, Rte. 1 Box 42 B, Blair, Okla. 73526

[**] Term: **14 Years**

[21] Appl. No.: **29/100,166**

[22] Filed: **Feb. 5, 1999**

[51] **LOC (6) Cl.** **12-16**

[52] **U.S. Cl.** **D12/162**

[58] **Field of Search** D12/162; 280/415.1, 280/416.1-416.3, 417.1, 511, 493-495, 504

5,044,652	9/1991	Brisson	280/416.1
5,106,114	4/1992	Haupt	.	
5,322,313	6/1994	Schroeder	.	
5,560,630	10/1996	Phares et al.	.	
5,722,678	3/1998	Hunger	.	
5,725,229	3/1998	McWethy	.	
5,788,257	8/1998	Meyerhofer	.	

Primary Examiner—Doris V. Coles
Assistant Examiner—Stacia Sinuik
Attorney, Agent, or Firm—Royston, Rayzor, Vickery, Novak & Druce, L.L.P.

[57] CLAIM

The ornamental design for a portable ball hitch assembly, as shown and described.

[56] References Cited

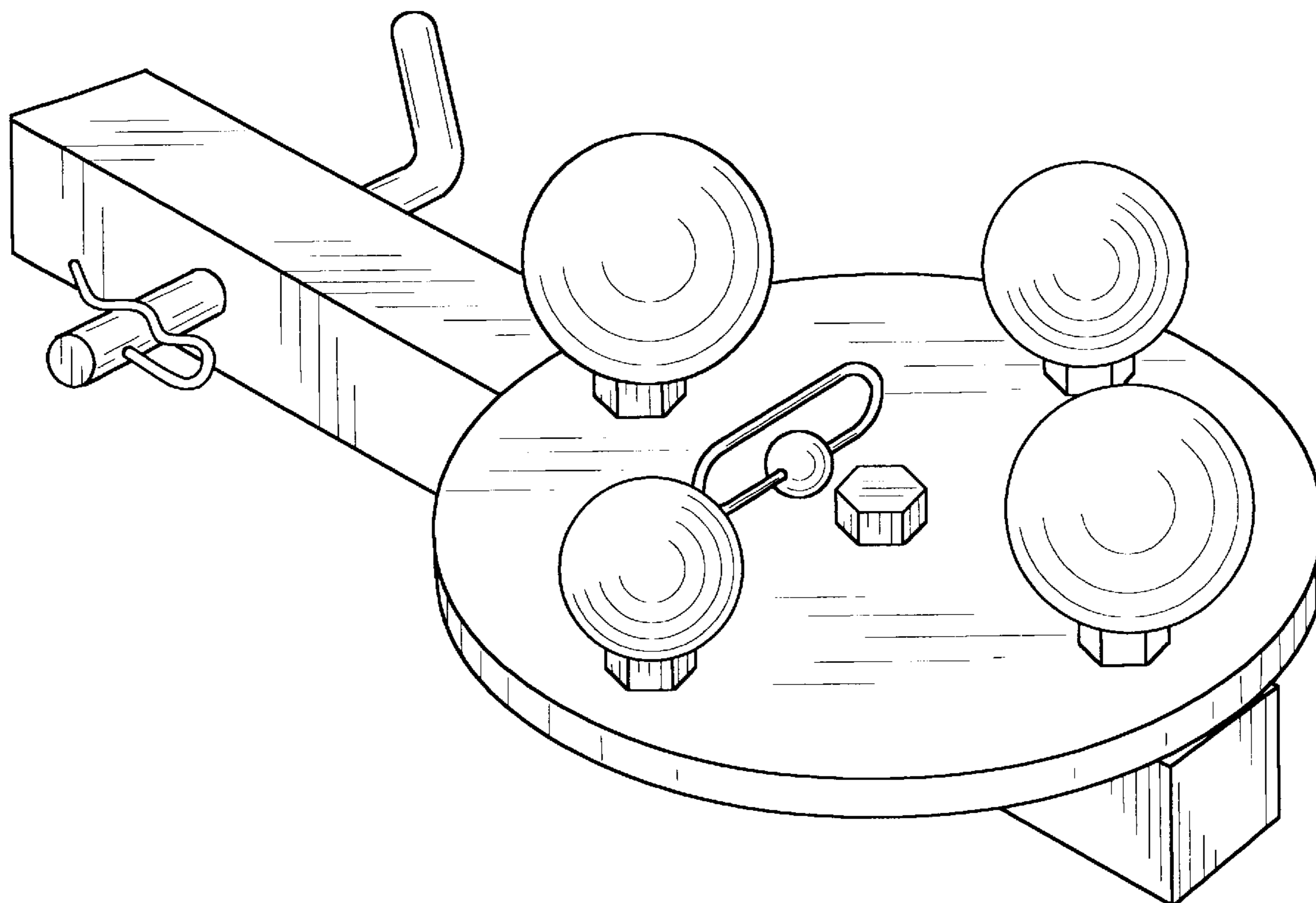
U.S. PATENT DOCUMENTS

D. 331,558	12/1992	Hayes, Jr.	D12/162
D. 356,764	3/1995	Thixton, Jr. et al.	D12/162
D. 375,065	10/1996	Duvernay et al.	D12/162
D. 379,608	6/1997	Rodriguez	D12/162
D. 394,421	5/1998	Horstmann	D12/162
D. 401,542	11/1998	Lindenman et al.	D12/162
2,506,090	5/1950	Lee	.	
2,911,233	11/1959	Riddle	.	
4,456,279	6/1984	Dirck	.	
4,807,900	2/1989	Tate	.	

DESCRIPTION

FIG. 1 is a perspective view of a portable ball hitch assembly according to the present invention;
FIG. 2 is a reduced top plan view thereof;
FIG. 3 is a reduced right side elevational view thereof;
FIG. 4 is a reduced front elevational view thereof;
FIG. 5 is a reduced left side elevational view thereof;
FIG. 6 is a reduced back elevational view thereof; and,
FIG. 7 is a reduced bottom plan view thereof.

1 Claim, 3 Drawing Sheets



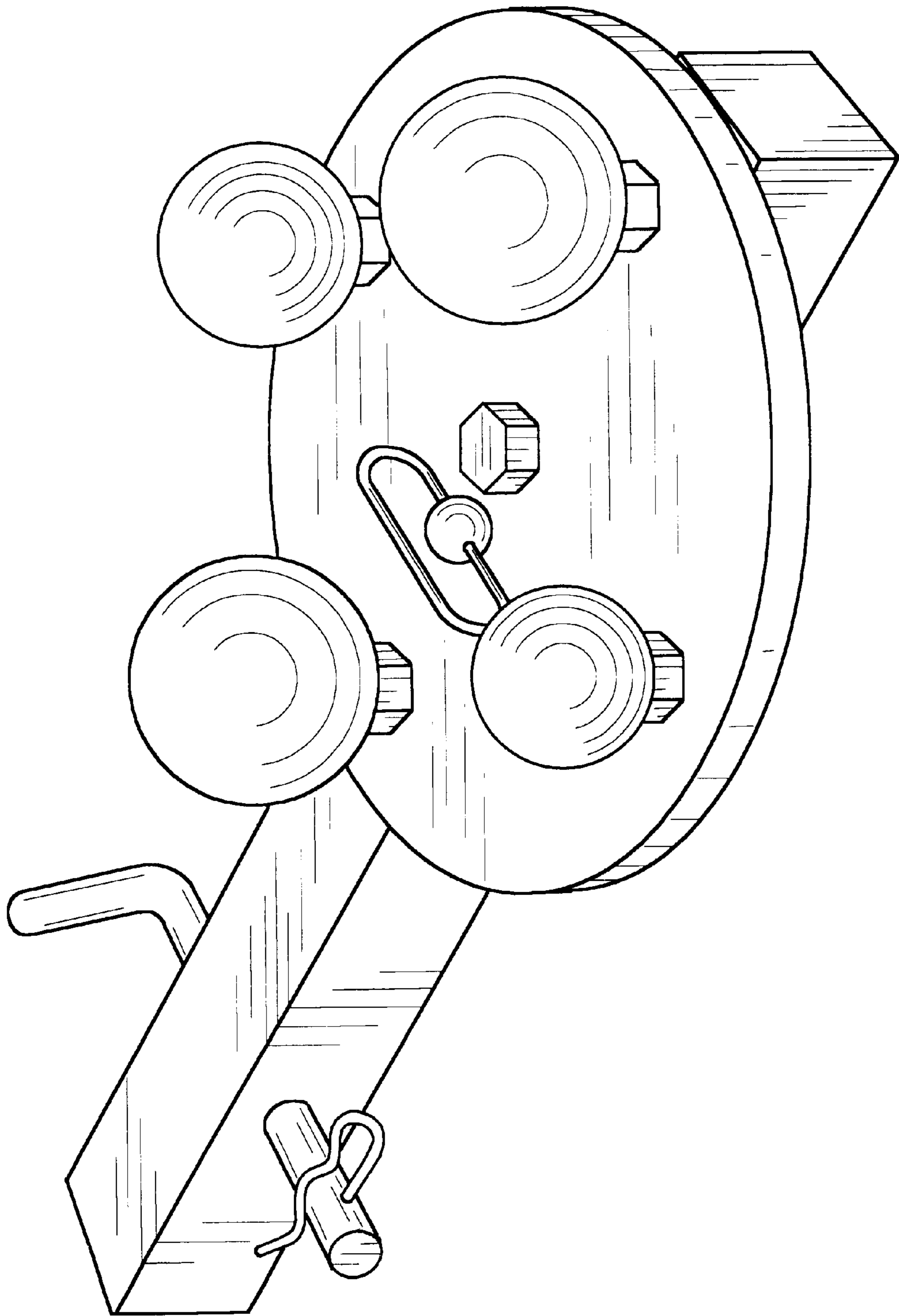


Fig. 1

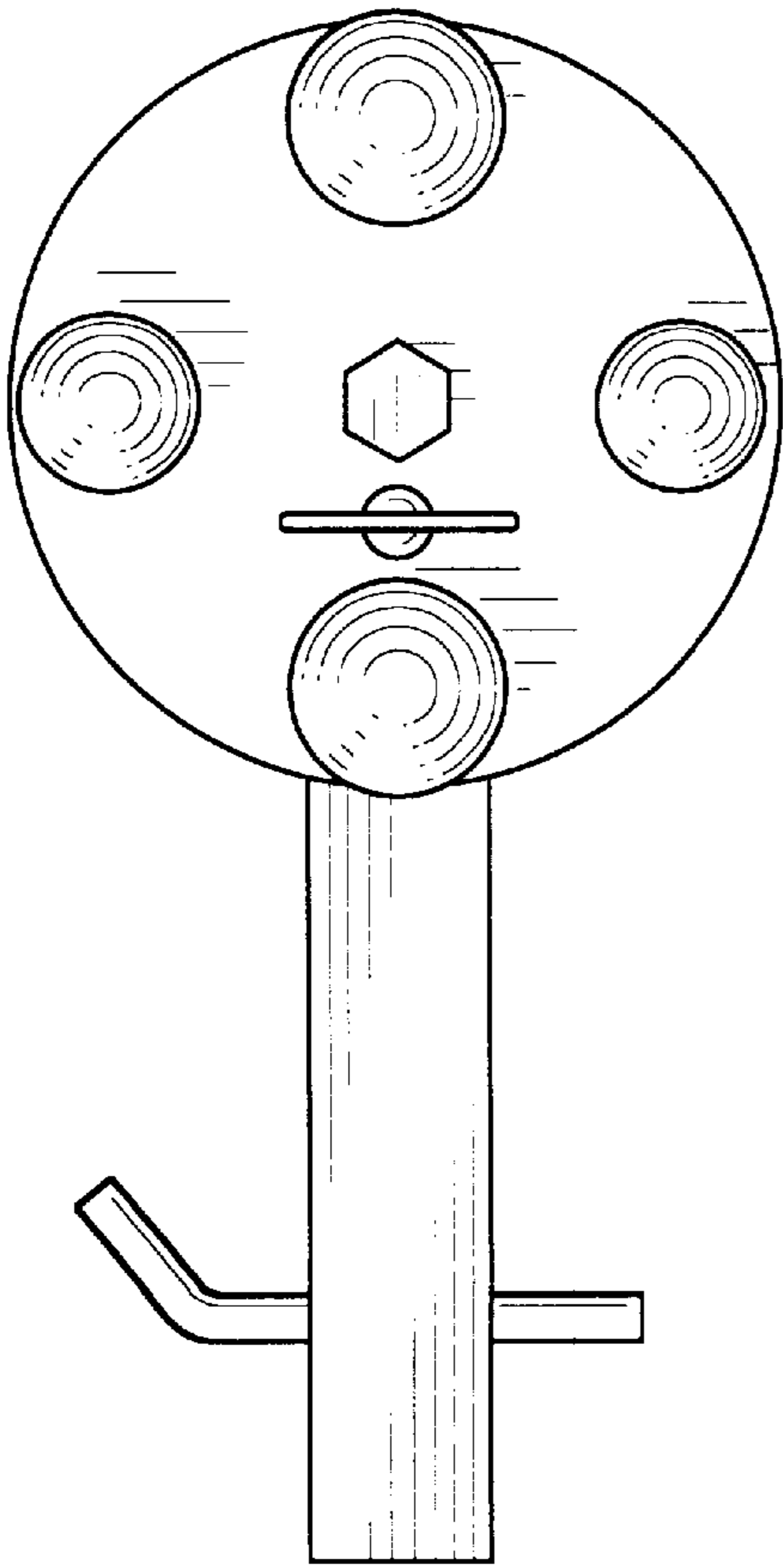


Fig. 2

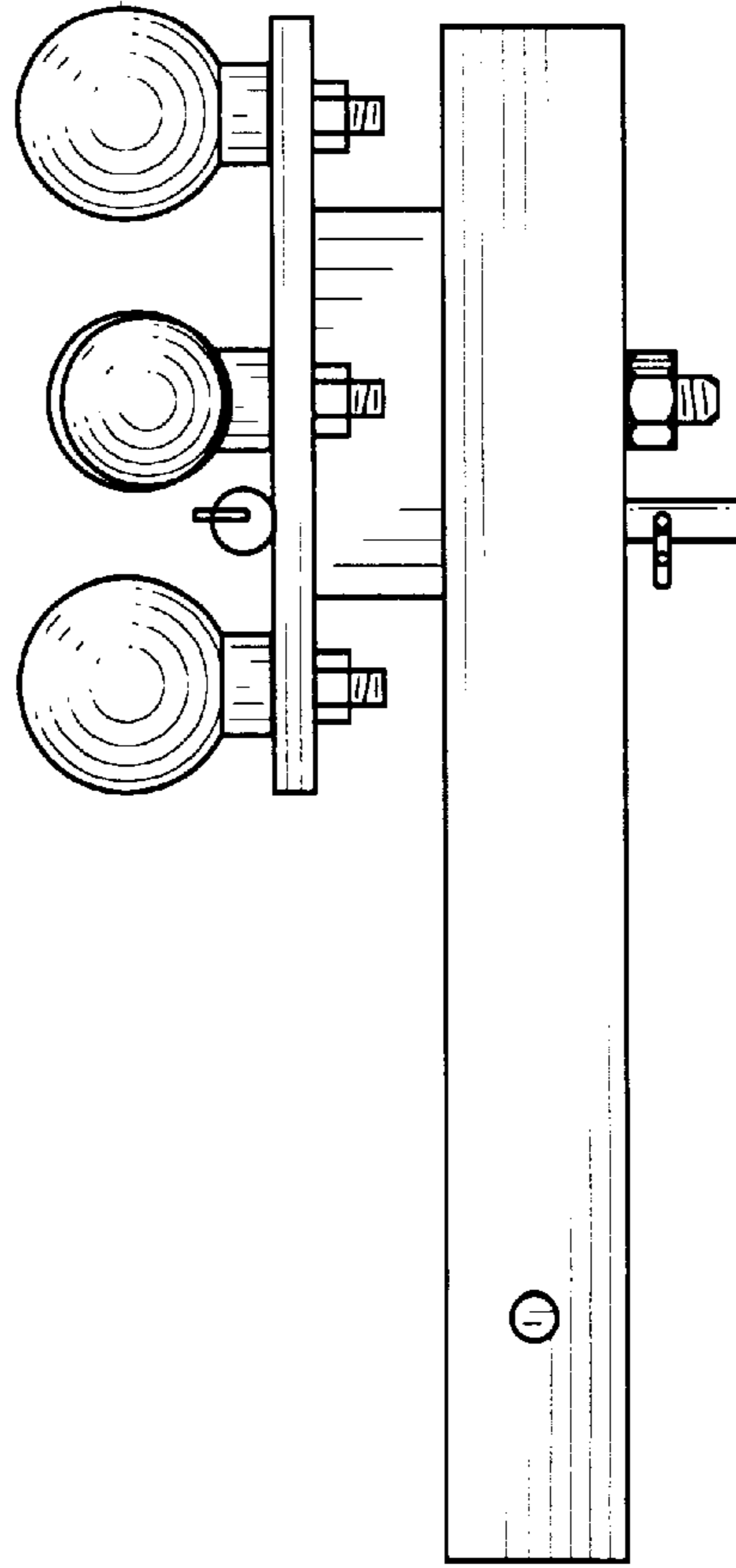


Fig. 3

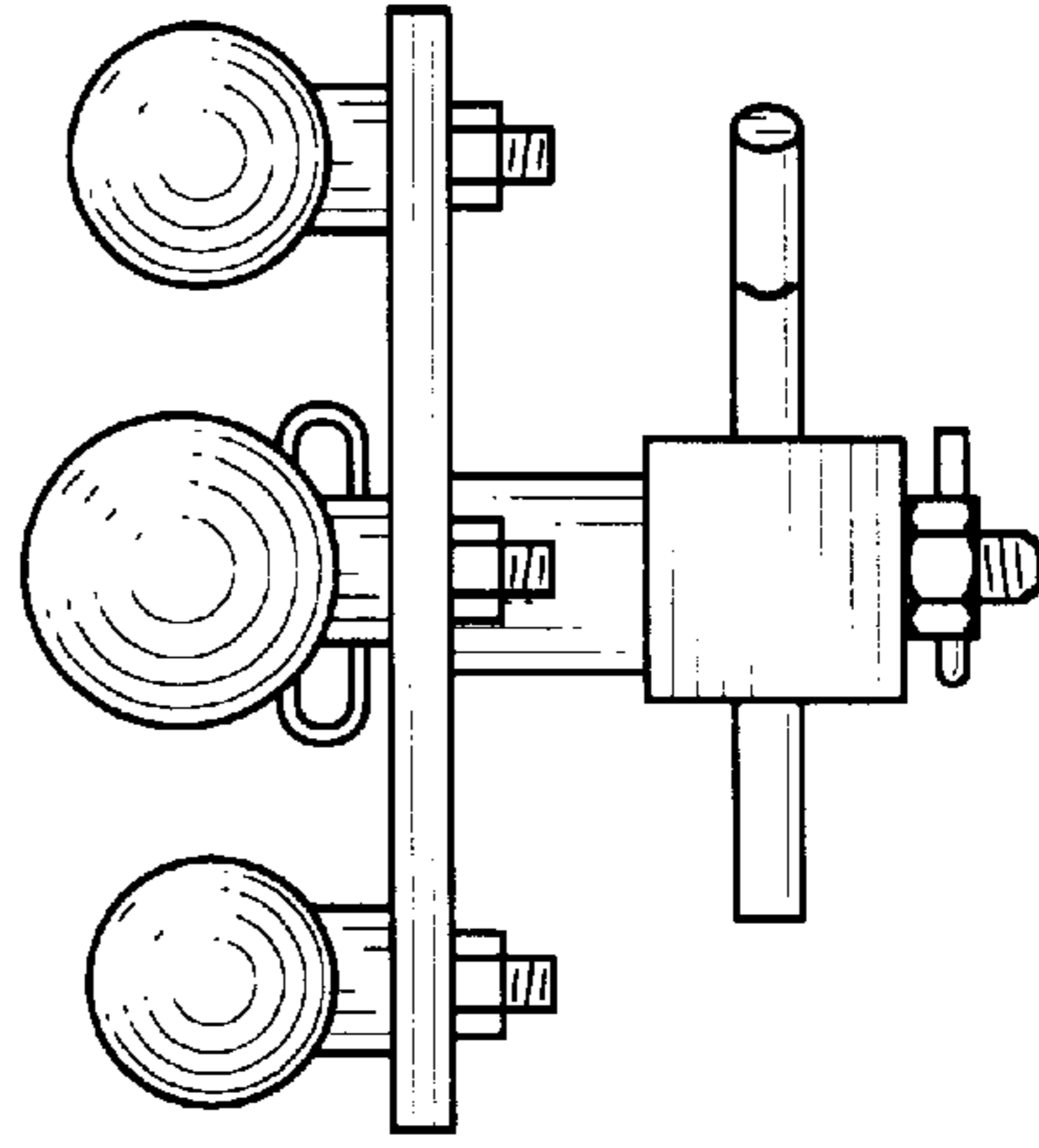


Fig. 4

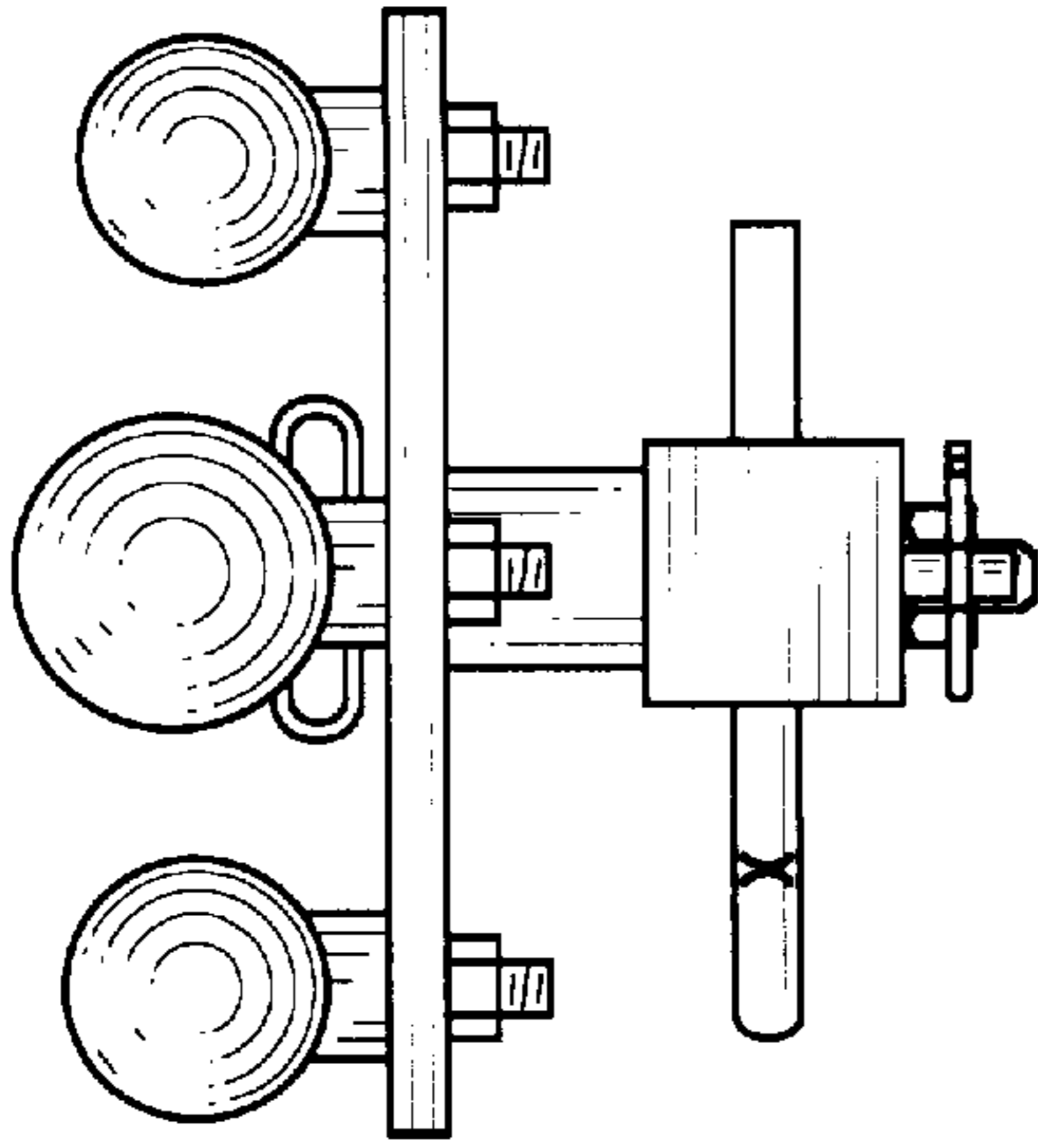


Fig. 6

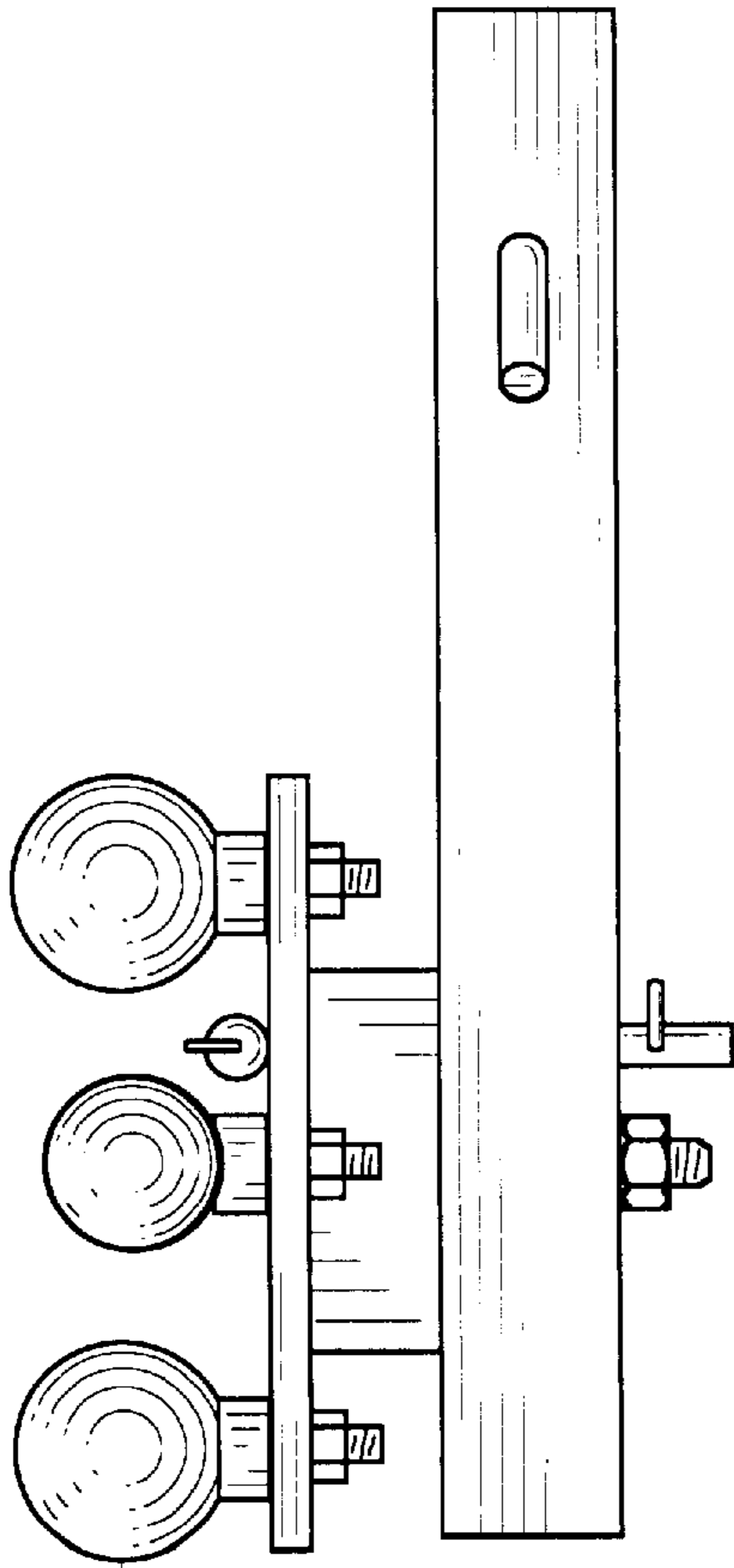


Fig. 5

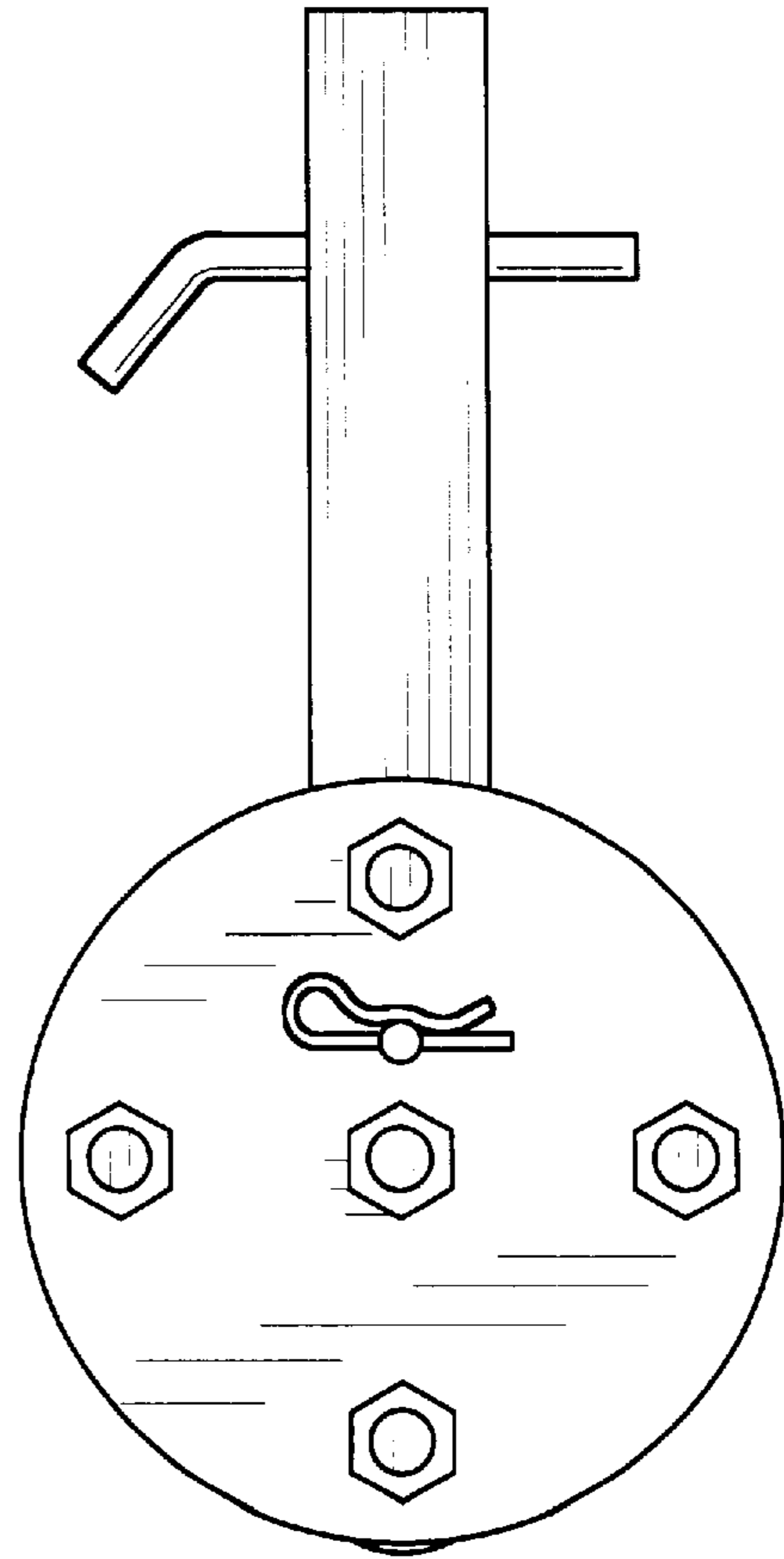


Fig. 7