



US00D415722S

United States Patent [19]

[11] Patent Number: **Des. 415,722**

Weed et al.

[45] Date of Patent: **** Oct. 26, 1999**

[54] **TIRE TREAD**

[75] Inventors: **David Busse Weed**, Mogadore; **Mark Leonard Bonko**; **Lawrence William Brooks**, both of Uniontown; **Steven George Bishel**, Cuyahoga Falls, all of Ohio

[73] Assignee: **The Goodyear Tire & Rubber Company**, Akron, Ohio

[**] Term: **14 Years**

[21] Appl. No.: **29/087,235**

[22] Filed: **Apr. 29, 1998**

[51] **LOC (6) Cl.** **12-15**

[52] **U.S. Cl.** **D12/147**

[58] **Field of Search** D12/141-143, D12/146-151; 152/209 RR, 209 NS, 209 AS, 209 AG, 209 BY, 209 LG, 209 RB, 209 DP

[56] **References Cited**

U.S. PATENT DOCUMENTS

D. 201,488	6/1965	Lull	D12/147
D. 302,412	7/1989	Goergen et al.	D12/146
D. 337,977	8/1993	Shinohara et al.	D12/147
2,626,649	1/1953	Eiler et al.	152/209 LG
4,982,773	1/1991	Bonko	152/209 LG

OTHER PUBLICATIONS

Cited from page 68 of Goodyear Farm Tire Handbook, revised Jan. 1996: Xtra-TracHigh Flotation Tire. Super Terra Grip High Flotation Tire.

Dick Cepek Fun Country Tire, 1996 Tread Design Guide, p. 90, Feb. 1996.

Toyo M 83 Tire, 1996 Tread Design Guide, p. 120, Feb. 1996.

Uniroyal Laredo M/T Tire, 1996 Tread Design Guide, p. 121, Feb. 1996.

Primary Examiner—Robert M. Spear
Attorney, Agent, or Firm—David L King

[57] **CLAIM**

The ornamental design for a tire tread, as shown and described.

DESCRIPTION

FIG. 1 is a perspective view of a tire tread showing our new design, it being understood that the pattern repeats uniformly throughout the circumference of the tread;

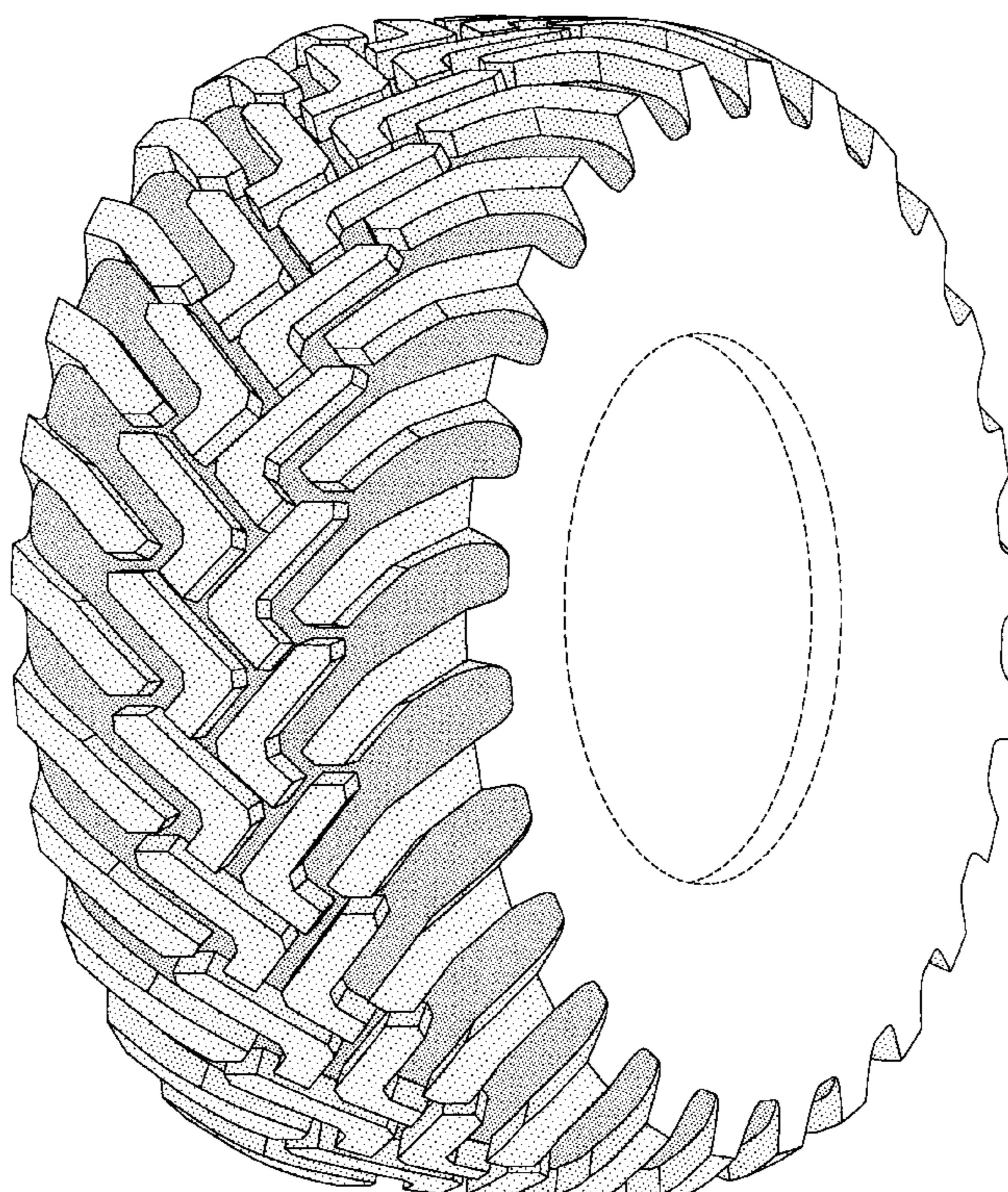
FIG. 2 is a front elevational view thereof;

FIG. 3 is a side elevational view being a mirror image thereof ; and,

FIG. 4 is an enlarged fragmentary front perspective view thereof.

In the drawings, the broken lines defining the inner bead of the sidewall are for illustrative purposes only and form no part of the claimed design.

1 Claim, 4 Drawing Sheets



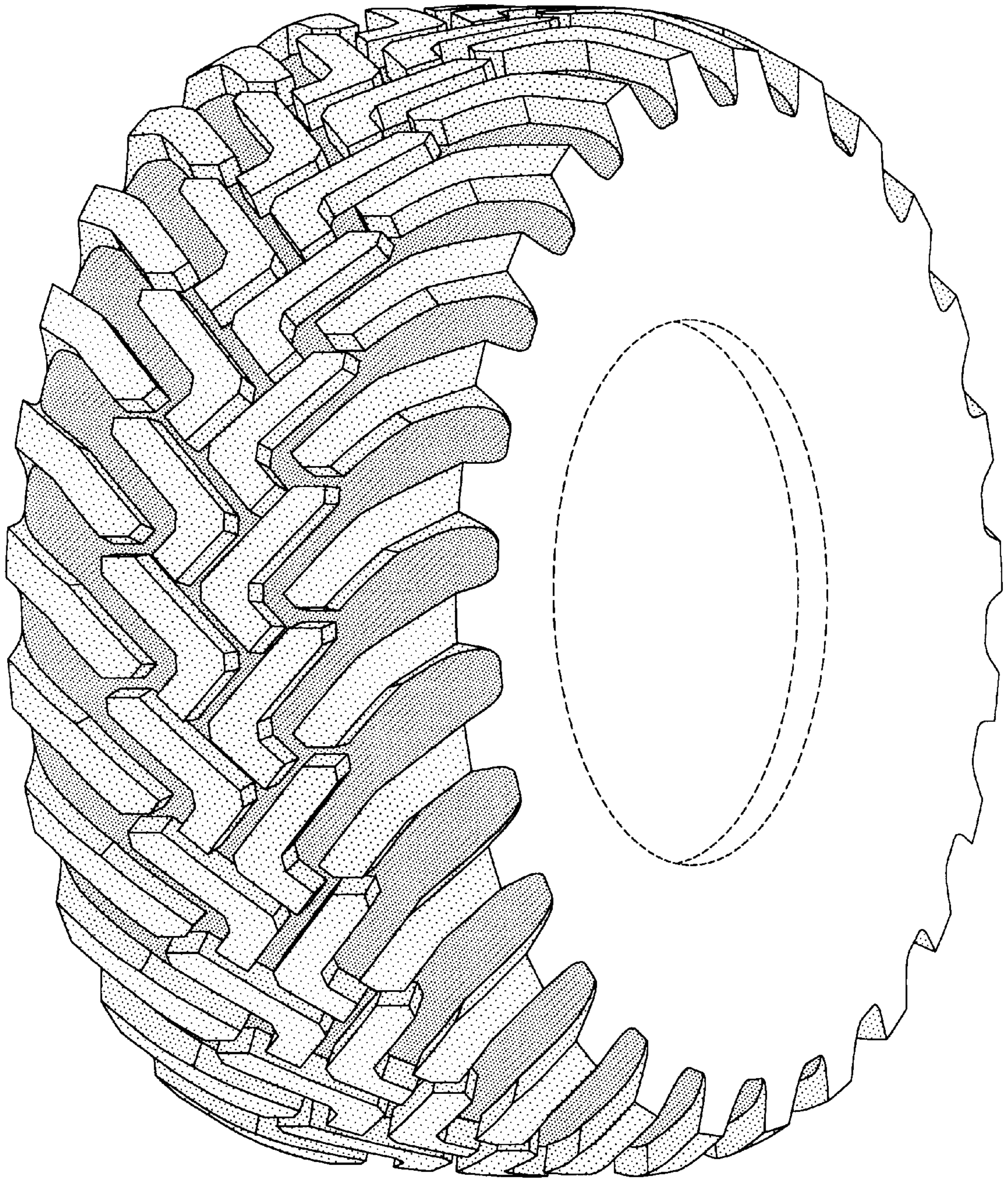


FIG-1

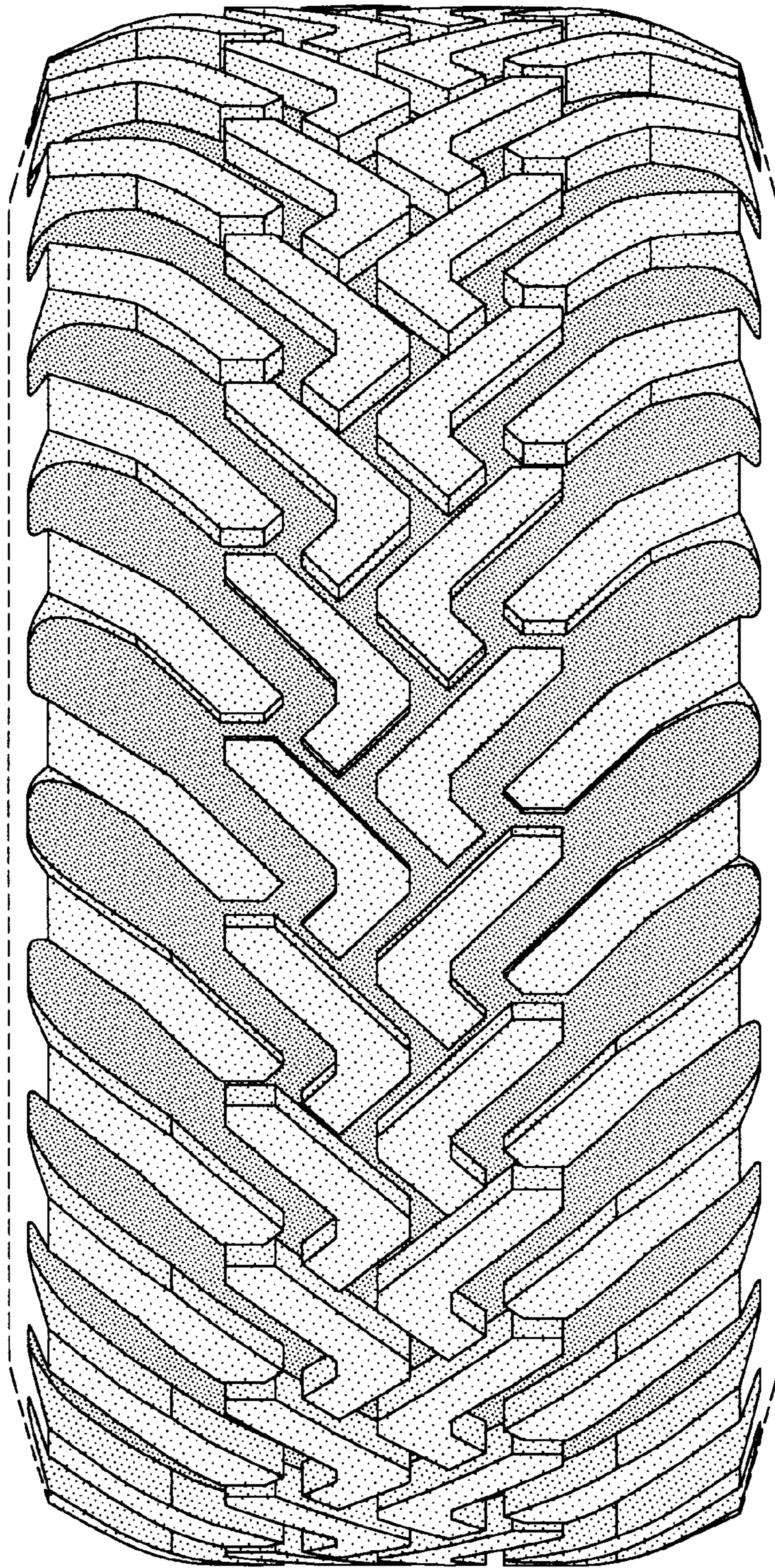


FIG-2

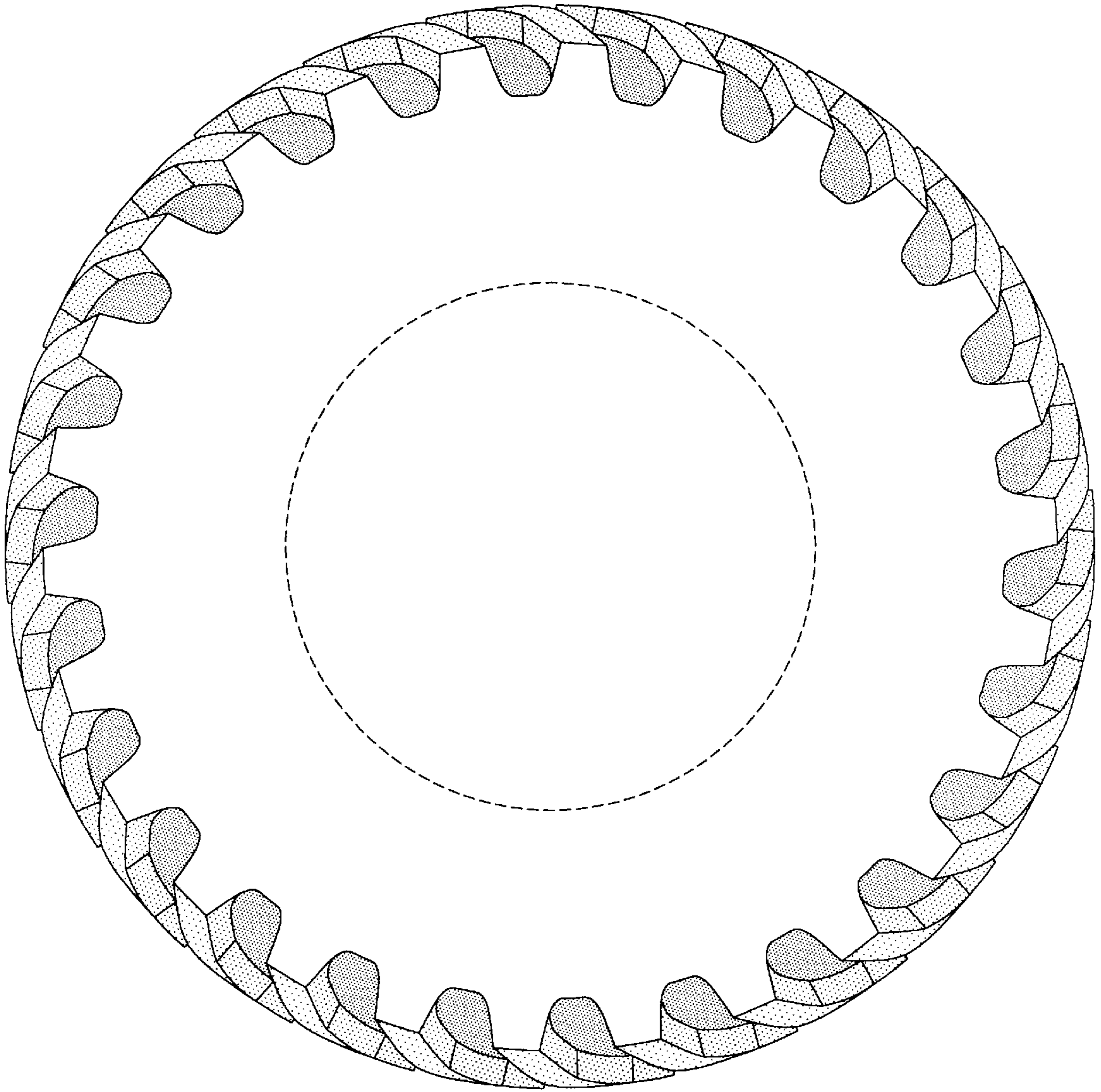


FIG-3

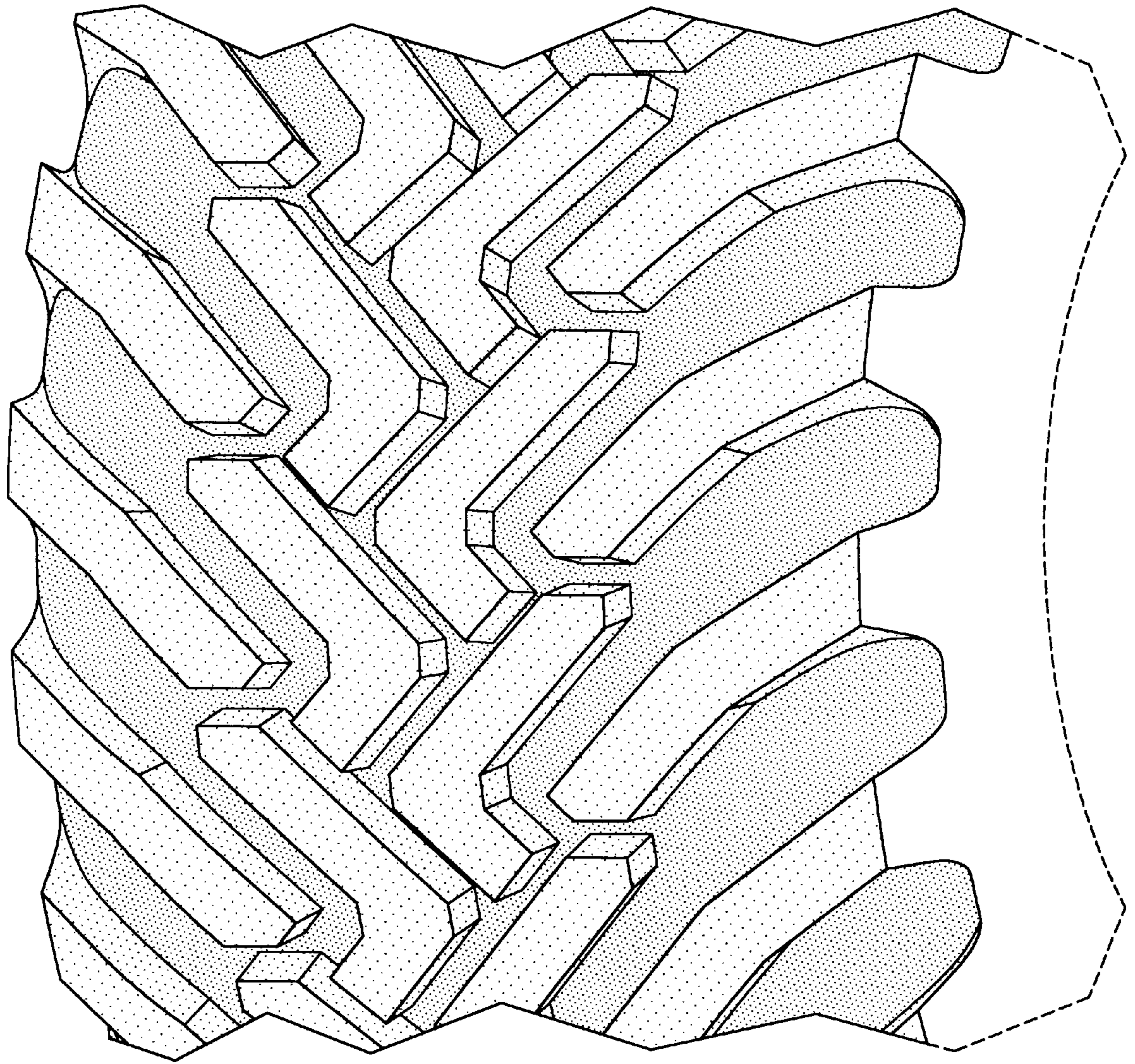


FIG-4