



US00D415706S

United States Patent [19]

Ikeda

[11] **Patent Number: Des. 415,706**

[45] **Date of Patent: ** Oct. 26, 1999**

[54] **INTRUDER DETECTION SENSOR**

[75] Inventor: **Hiroyuki Ikeda**, Otsu, Japan

[73] Assignee: **Optex Co., Ltd.**, Shiga, Japan

[**] Term: **14 Years**

[21] Appl. No.: **29/099,338**

[22] Filed: **Jan. 20, 1999**

[51] **LOC (6) Cl. 10-05**

[52] **U.S. Cl. D10/106**

[58] **Field of Search** D10/104, 106,
D10/116, 121; 340/541, 542, 551, 571,
572, 573, 577, 593, 691, 692, 693

[56] **References Cited**

U.S. PATENT DOCUMENTS

D. 373,545 9/1996 **Armano, Sr.** D10/106

D. 381,283 7/1997 **Soreo** D10/106

D. 383,078 9/1997 **Carmi** D10/106

D. 401,178 11/1998 **Ziu** D10/106

Primary Examiner—**Marcus A. Jackson**
Attorney, Agent, or Firm—**Price Gess & Ubell**

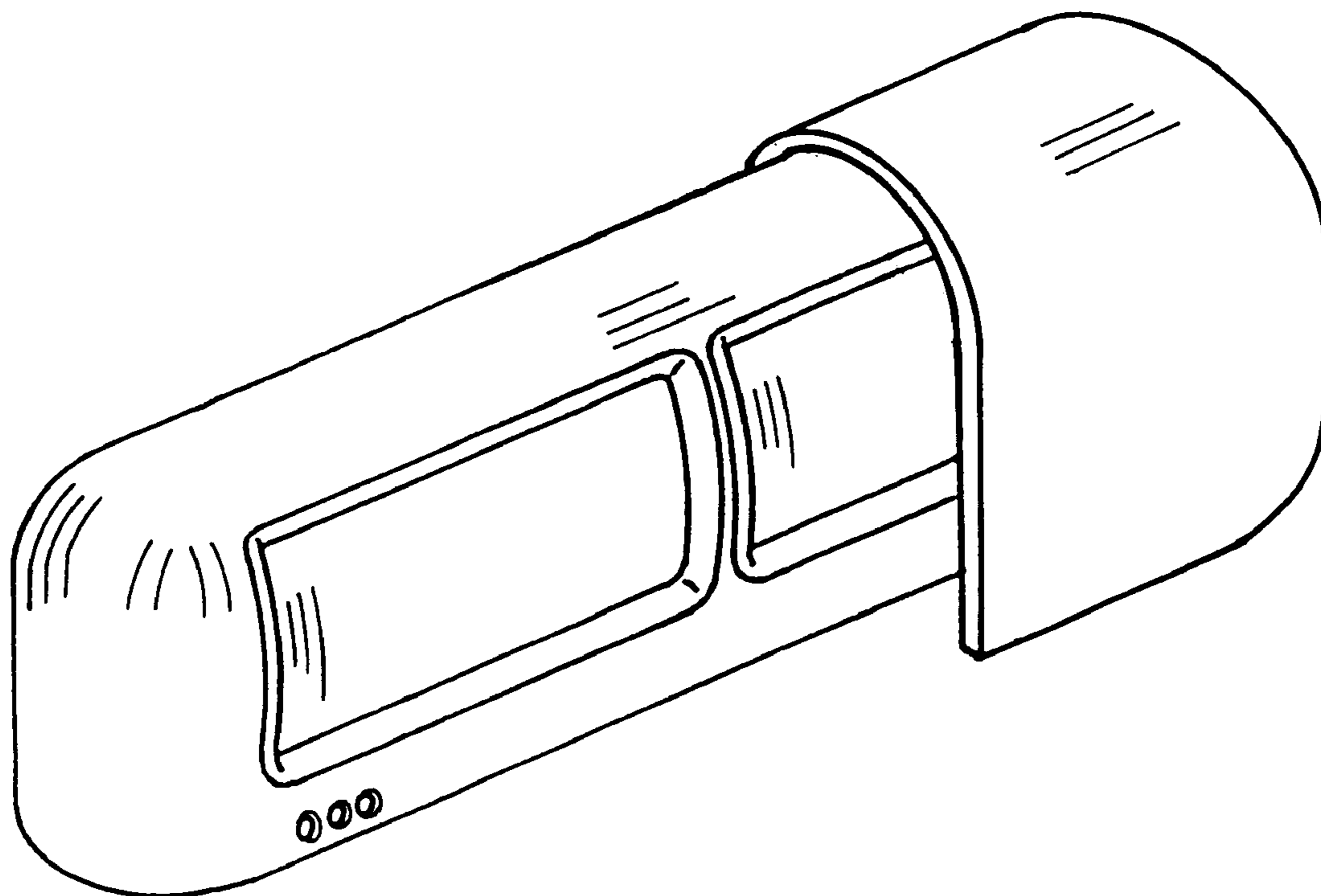
[57] **CLAIM**

The original design for an intruder detection sensor, as shown and described.

DESCRIPTION

FIG. 1 is a perspective view of an intruder detection sensor showing our new design;
FIG. 2 is a top plan view thereof;
FIG. 3 is a front elevational view thereof;
FIG. 4 is a bottom plan view thereof;
FIG. 5 is a left side elevational view thereof;
FIG. 6 is a right side elevational view thereof; and,
FIG. 7 is a rear elevational view thereof.

1 Claim, 2 Drawing Sheets



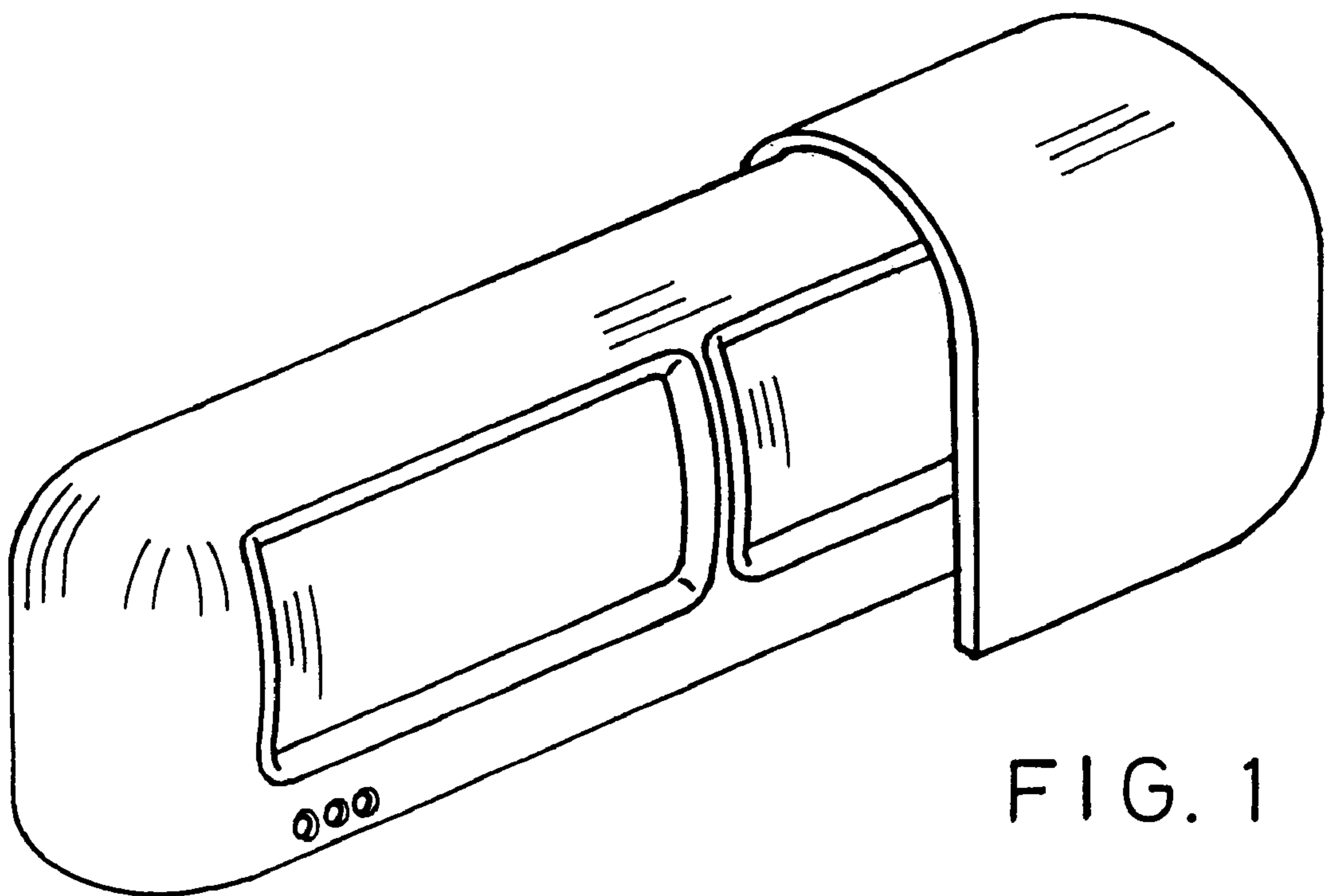


FIG. 1

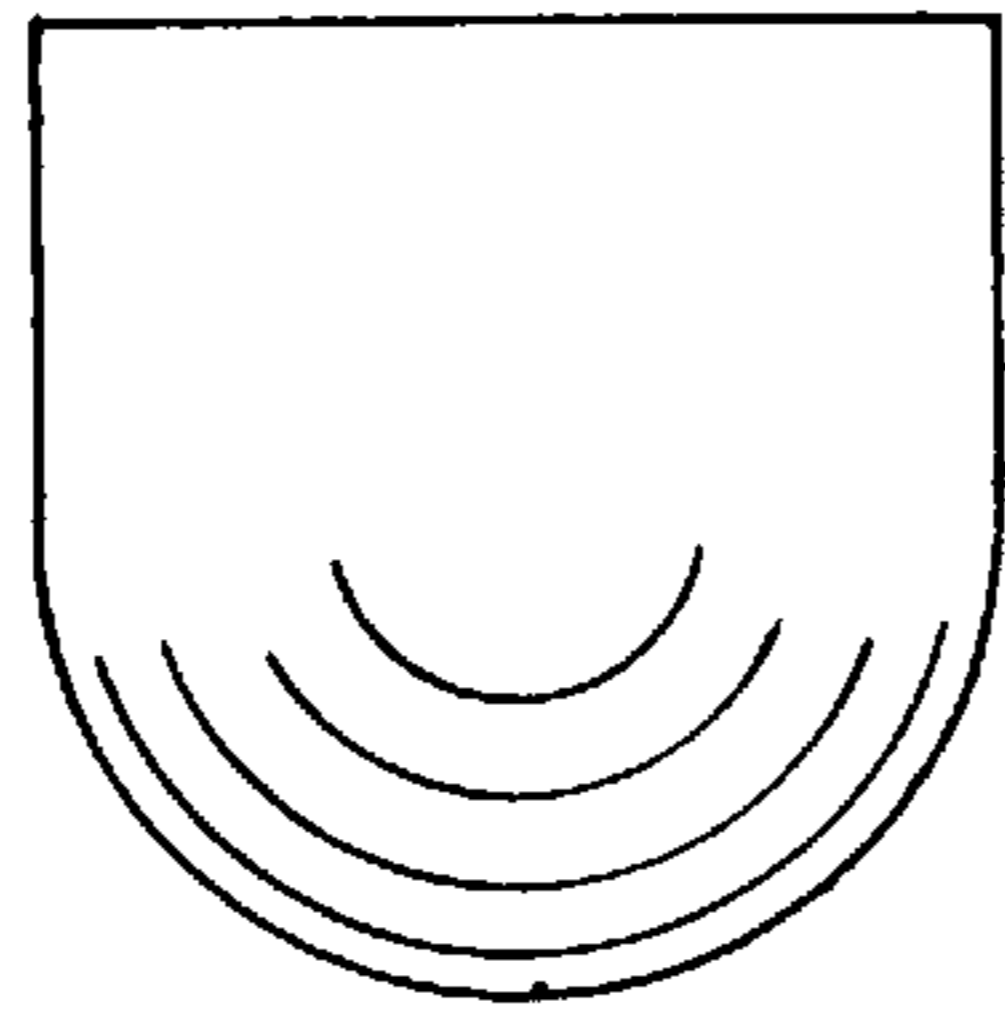


FIG. 2

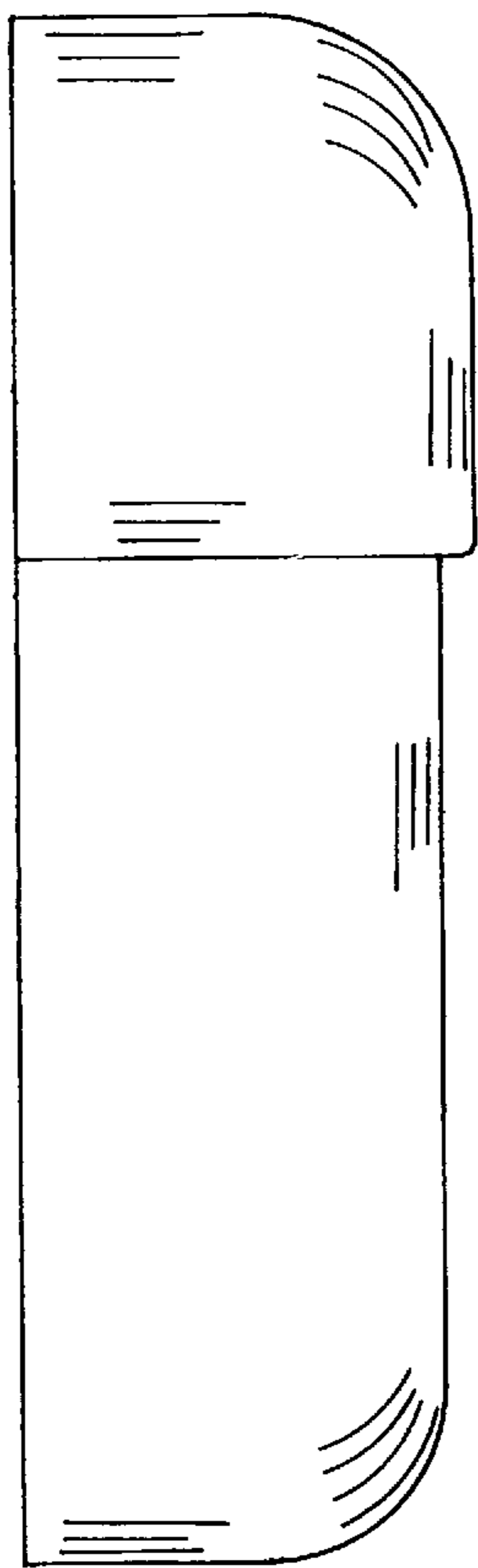


FIG. 5

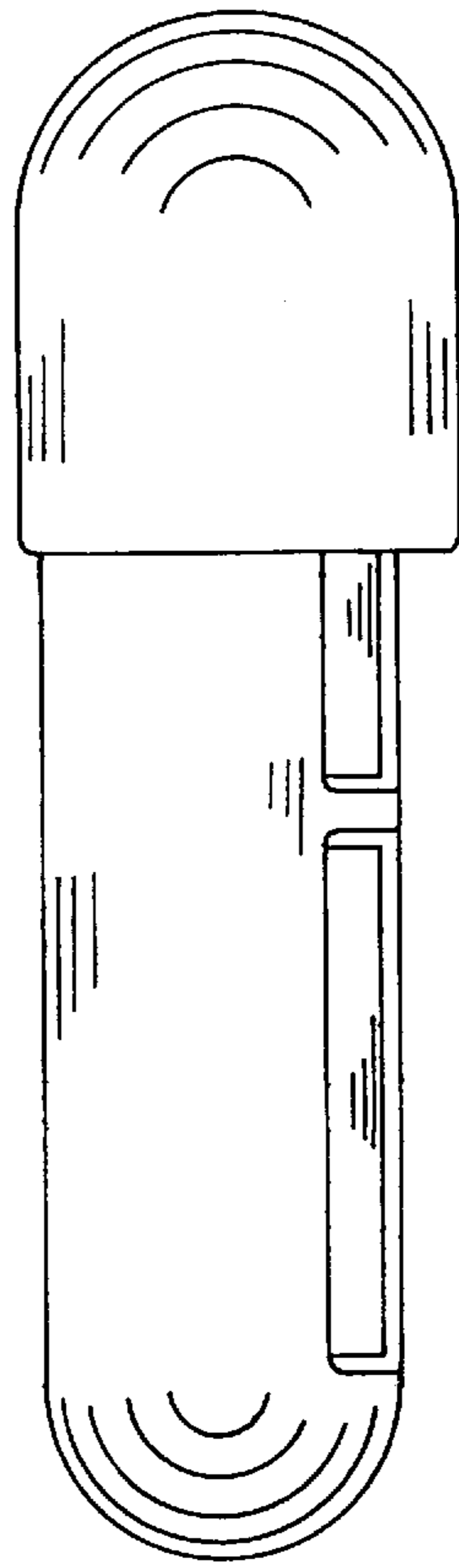


FIG. 3

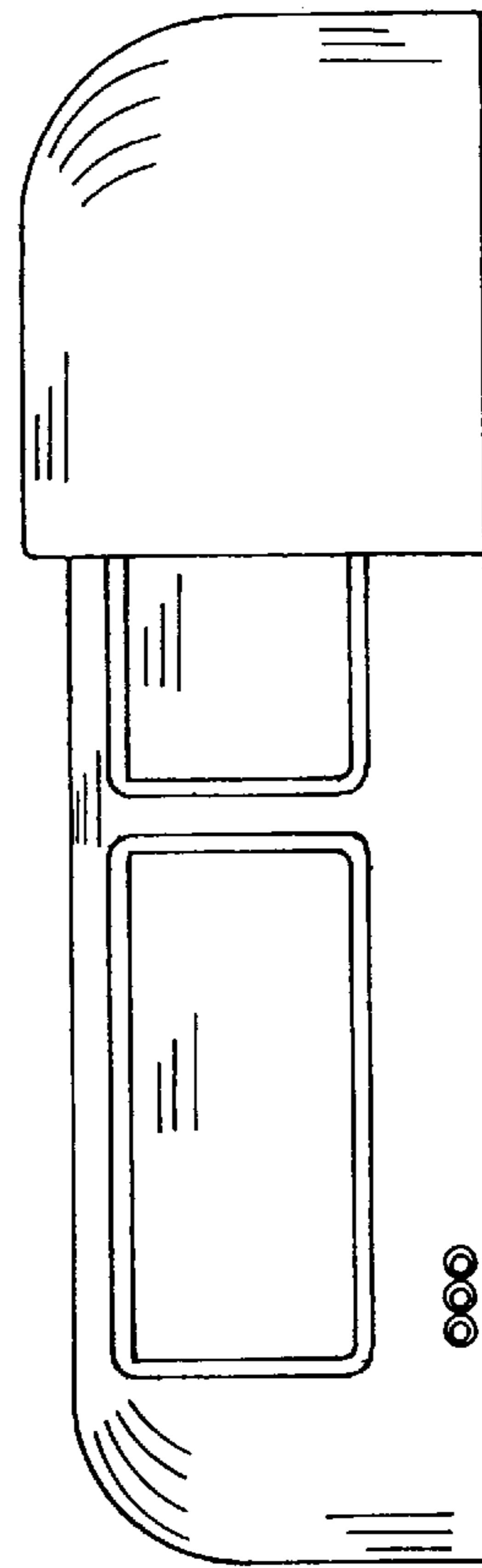


FIG. 6

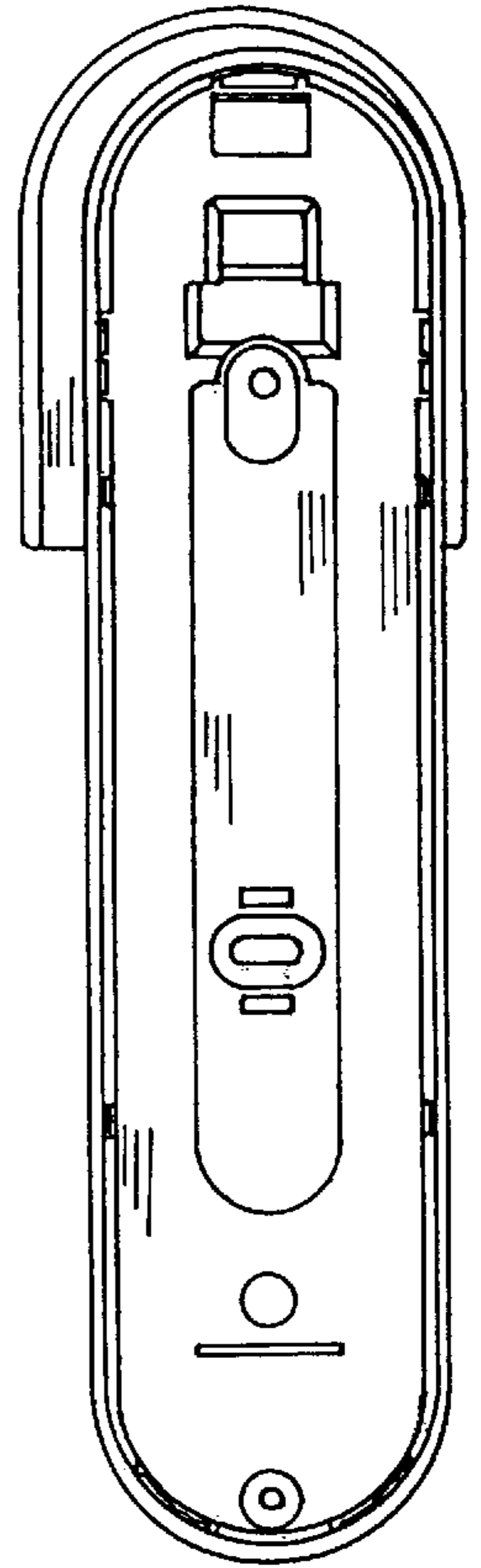


FIG. 7

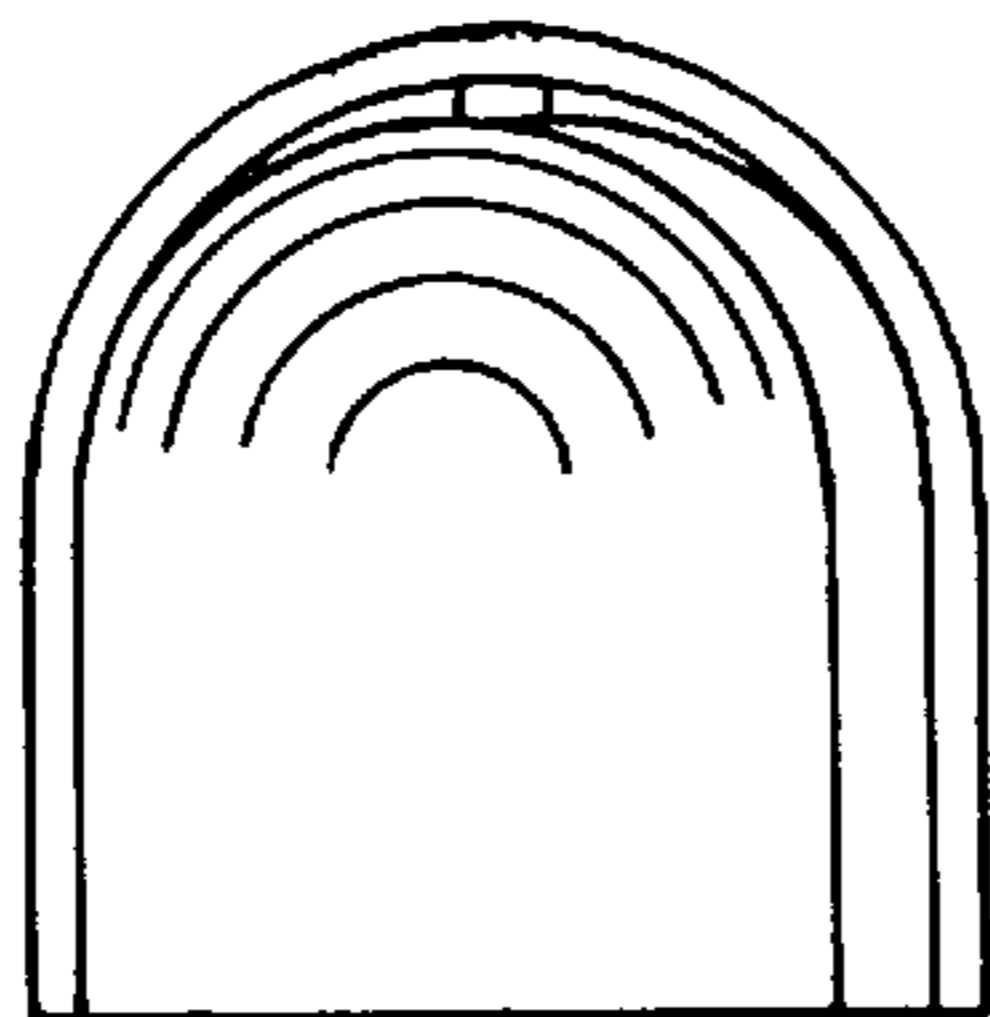


FIG. 4