



US00D415703S

United States Patent [19]

[11] Patent Number: Des. 415,703

Hutton et al.

[45] Date of Patent: ** Oct. 26, 1999

[54] MANIFOLD

OTHER PUBLICATIONS

[76] Inventors: **Peter B. Hutton**, 2024 26 A Street S.W., Calgary, Alberta, Canada, T3E 2C1; **Alan F. Chou**, 907 Venice St., Sugar Land, Tex. 77478; **Jeffrey T. Lynch**, 3822 Senna Pl., Sugar Land, Tex. 77479; **James W. Spahr**, 8511 Concho St., Houston, Tex. 77036

Brochure: *Manifolds*. Century Valve Ltd., Calgary, Alberta, Canada. Admitted prior art.

Flier: *DA Minimatic Three Valve Manifold*. DA Mfg. Co., Tulia, Texas. Jun. 20, 1978.

Brochure: *Instrumentation Manifolds: The World Standard*. Bulletin 4190. Parker Fluid Connections. Dec. 1992.

Flier: "Safti-fold®" 3 Valve Unimount. Admitted prior art.

[**] Term: 14 Years

Primary Examiner—Antoine Duval Davis

Attorney, Agent, or Firm—Browning Bushman

[21] Appl. No.: 29/080,337

[57] CLAIM

[22] Filed: Dec. 4, 1997

The ornamental design for a manifold, as shown and described.

[51] LOC (6) Cl. 10-04

[52] U.S. Cl. D10/96

[58] Field of Search D10/96; 73/23.2, 73/405 R, 756; 137/343, 552, 577, 580, 597, 884.1

DESCRIPTION

[56] References Cited

U.S. PATENT DOCUMENTS

Re. 34,610	5/1994	Miller et al. .	
D. 317,266	6/1991	Broden et al. .	
D. 318,432	7/1991	Broden et al. .	
D. 407,984	4/1999	Hutton et al.	D10/96
3,564,923	2/1971	Nudd, Jr. et al. .	
3,596,680	8/1971	Adams .	
3,618,390	11/1971	Frick .	
3,653,405	4/1972	Nelson .	
3,768,511	10/1973	Bias .	
3,817,283	6/1974	Hewson .	
4,182,362	1/1980	Hewson et al. .	
4,193,420	3/1980	Hewson .	
4,215,721	8/1980	Hetherington et al. .	
4,281,683	8/1981	Hetherington et al. .	
4,319,492	3/1982	Hewson et al. .	

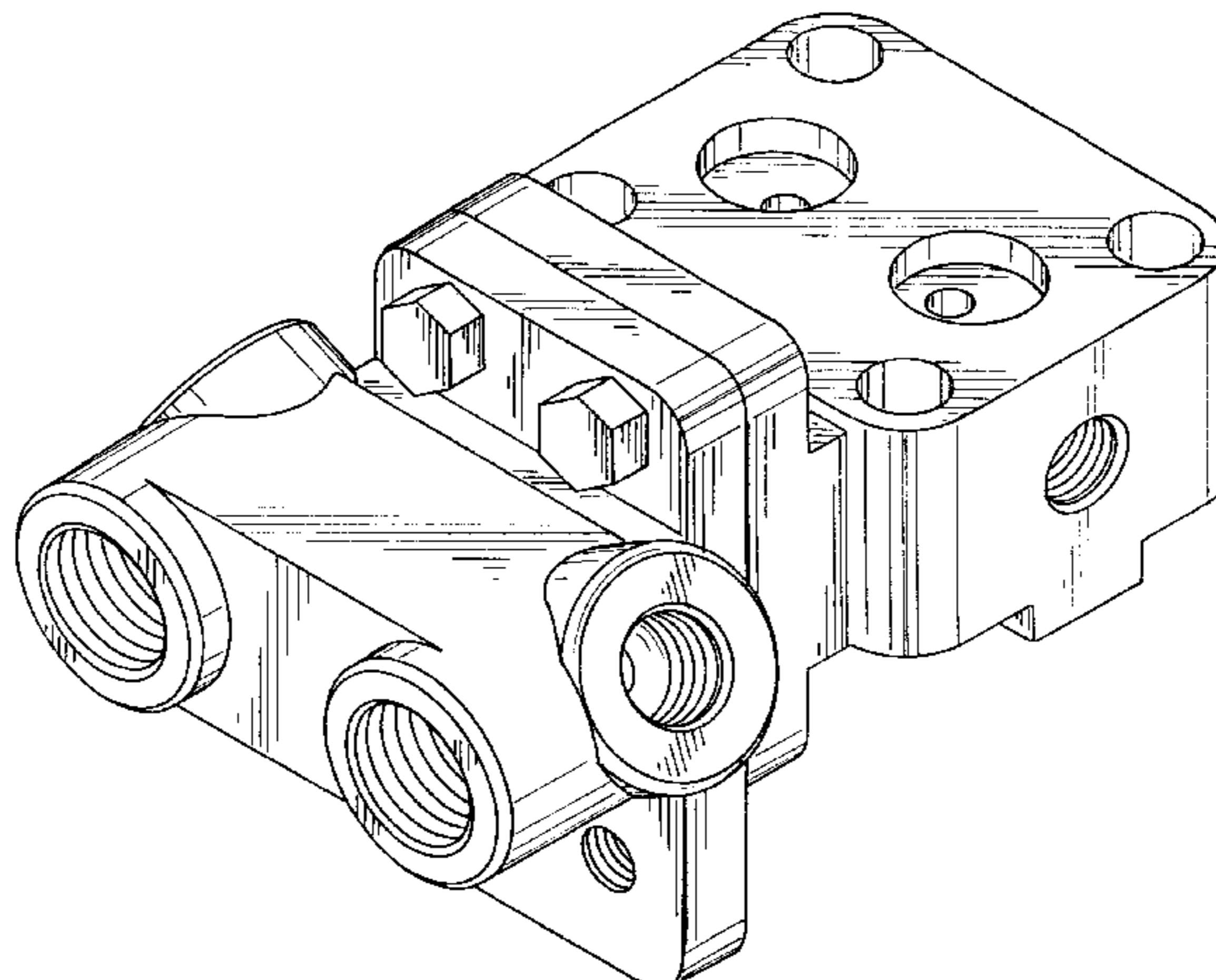
(List continued on next page.)

FOREIGN PATENT DOCUMENTS

1008701	4/1977	Canada .
2086535	5/1982	United Kingdom .
2271164A	4/1994	United Kingdom .
WO 93/05329	3/1993	WIPO .

FIG. 1 is a perspective view of the front and top of one embodiment of a manifold showing our new design; FIG. 2 is an elevational, side view of the embodiment of FIG. 1, the other side view being identical; FIG. 3 is a front, elevational view of the embodiment shown in FIG. 1; FIG. 4 is a top, plan view of the embodiment shown in FIG. 1; FIG. 5 is a rear, elevational view of the embodiment shown in FIG. 1; FIG. 6 is a bottom, plan view of the embodiment shown in FIG. 1; FIG. 7 is a perspective view of the front and top of another embodiment of a manifold showing our new design; FIG. 8 is an elevational view of one side of the embodiment shown in FIG. 7, the other side view being identical; FIG. 9 is a front, elevational view of the embodiment shown in FIG. 7; FIG. 10 is a top, plan view of the embodiment shown in FIG. 7; FIG. 11 is a rear, elevational view of the embodiment shown in FIG. 7; and, FIG. 12 is a bottom, plan view of the embodiment shown in FIG. 7.

1 Claim, 6 Drawing Sheets



U.S. PATENT DOCUMENTS

4,466,290	8/1984	Frick .	4,977,917	12/1990	Adams .
4,494,568	1/1985	Young .	4,993,754	2/1991	Templin, Jr. .
4,602,657	7/1986	Anderson, Jr. et al. .	5,036,884	8/1991	Miller et al. .
4,672,728	6/1987	Nimberger .	5,048,569	9/1991	Stoll et al. .
4,726,399	2/1988	Miller .	5,117,867	6/1992	Adams .
4,738,276	4/1988	Adams .	5,209,258	5/1993	Sharp et al. .
4,745,810	5/1988	Pierce et al. .	5,248,167	9/1993	Petrich et al. .
4,798,089	1/1989	Frick et al. .	5,272,646	12/1993	Farmer .
4,833,922	5/1989	Frick et al. .	5,277,224	1/1994	Hutton et al. .
4,865,360	9/1989	Adams .	5,303,733	4/1994	Nelson .
4,879,912	11/1989	Suckow .	5,449,294	9/1995	Rench et al. .
4,921,072	5/1990	Divisi .	5,494,071	2/1996	Bell et al. .

FIG. 1

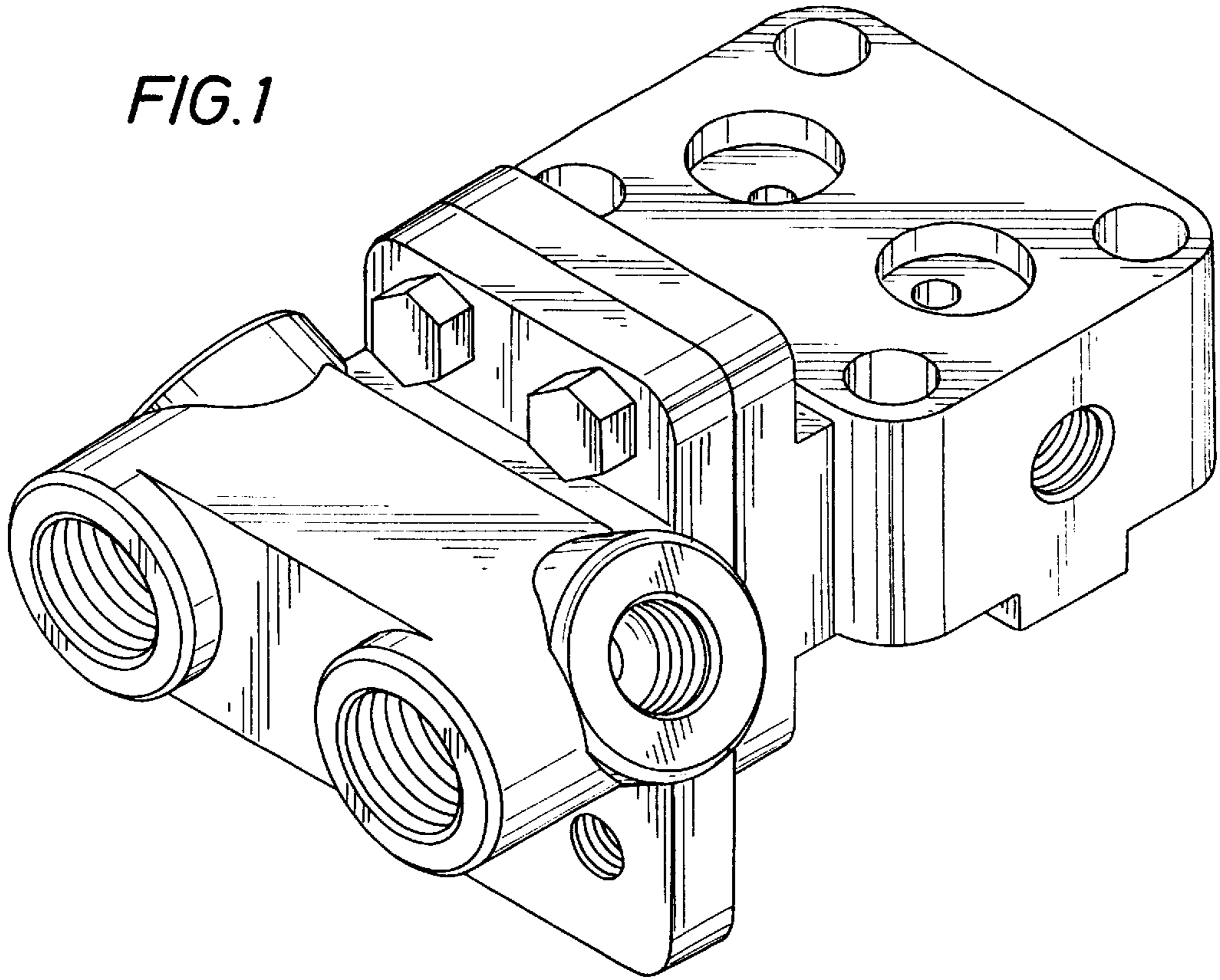
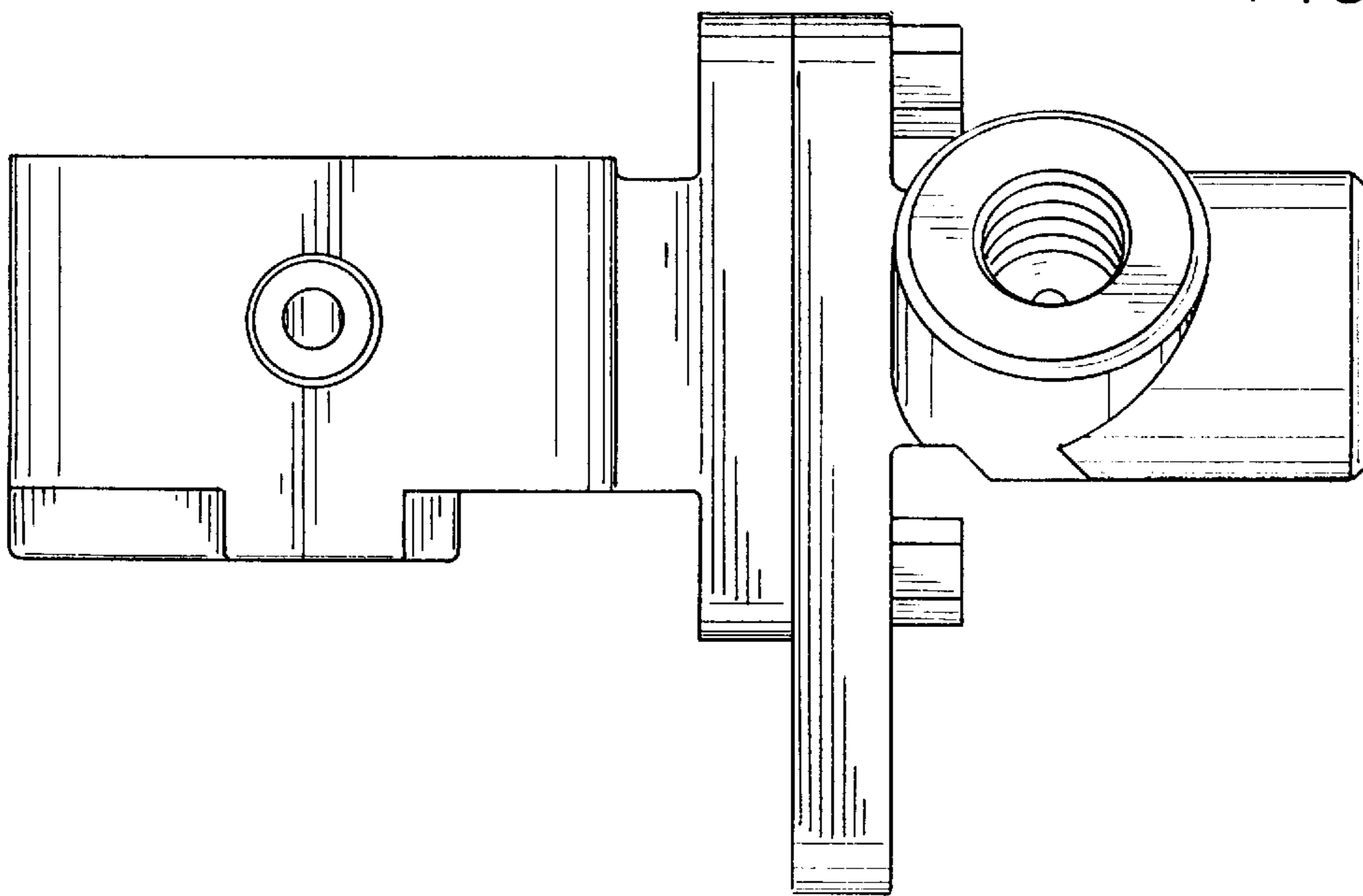


FIG. 2



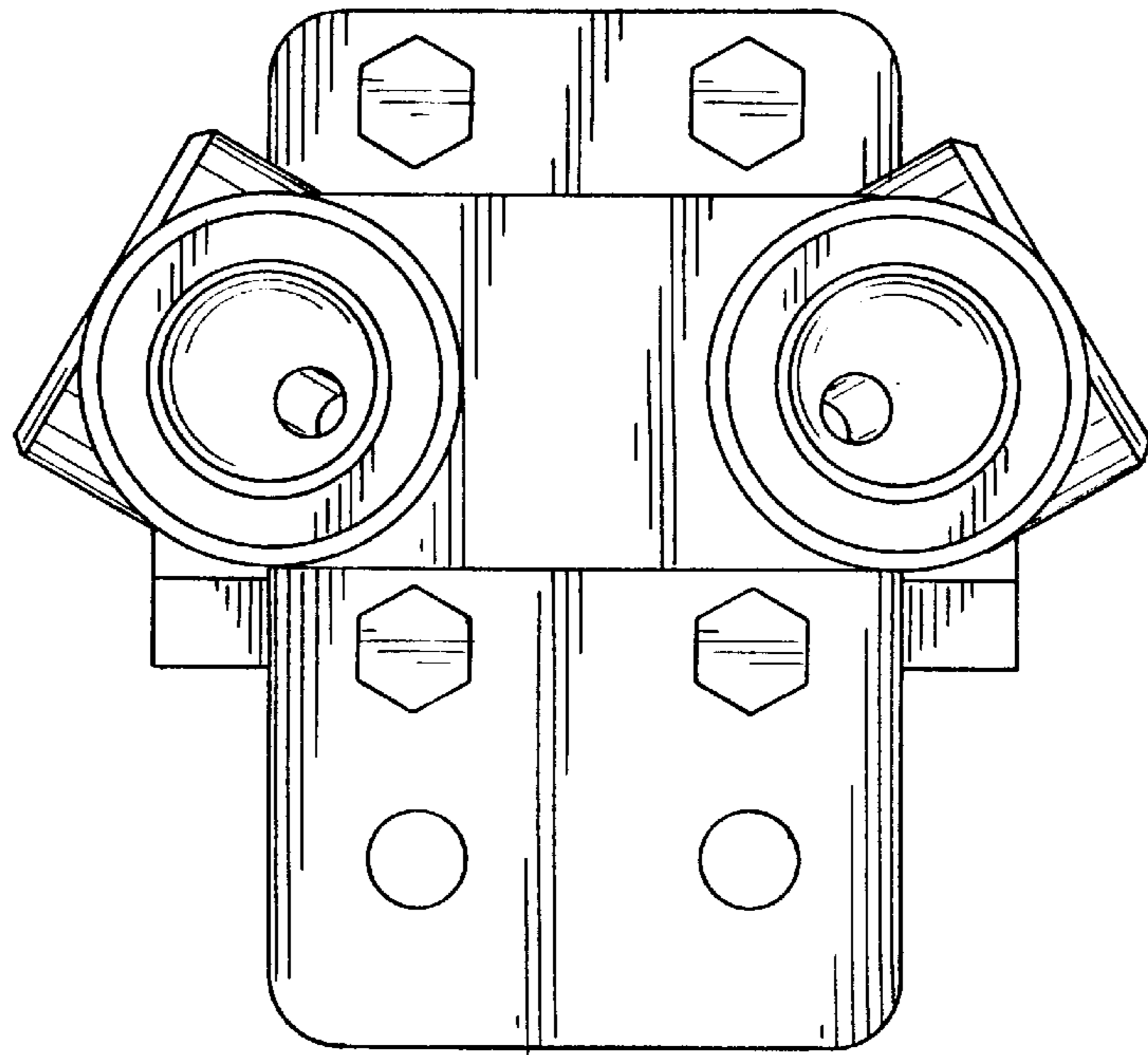


FIG. 3

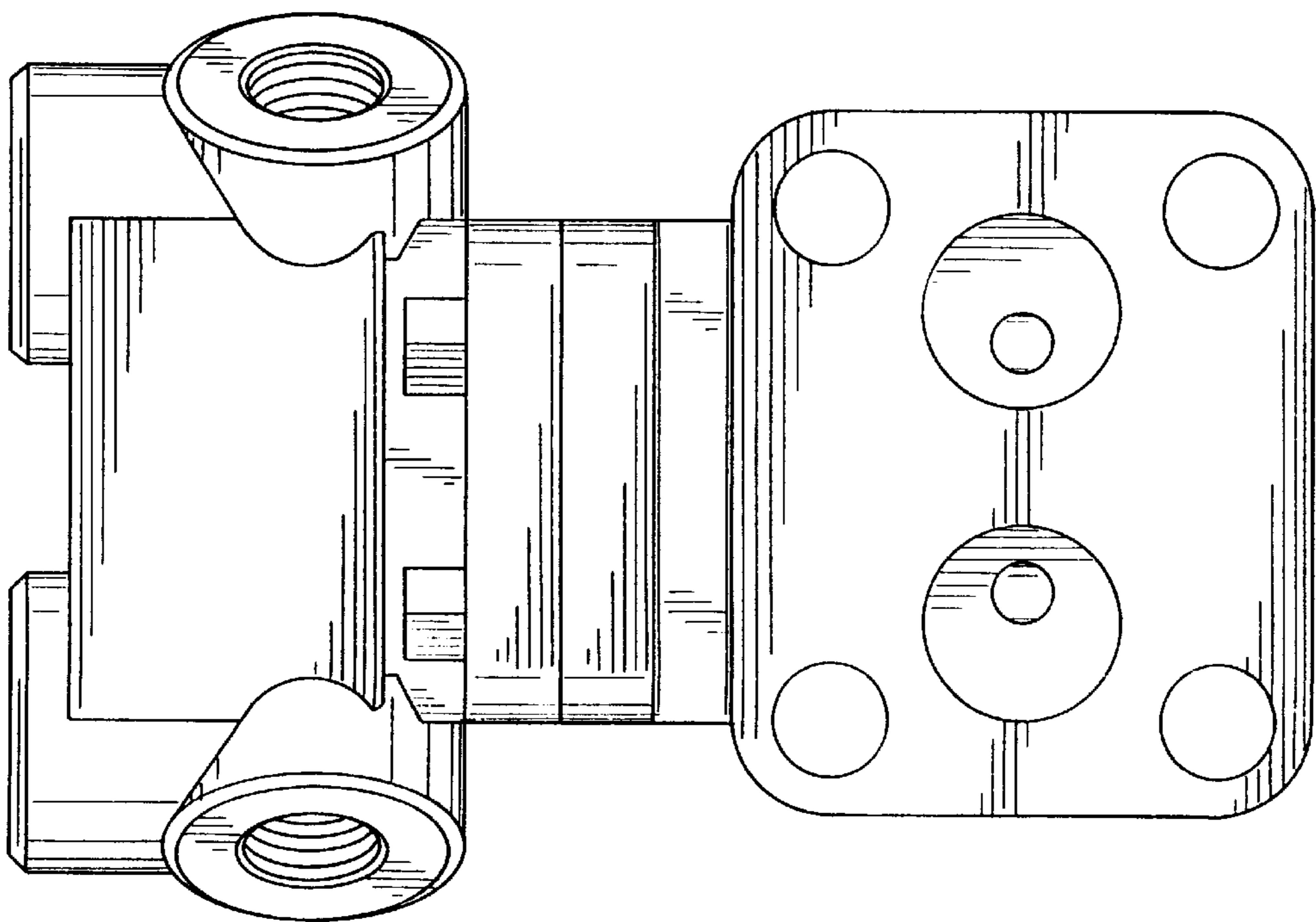


FIG. 4

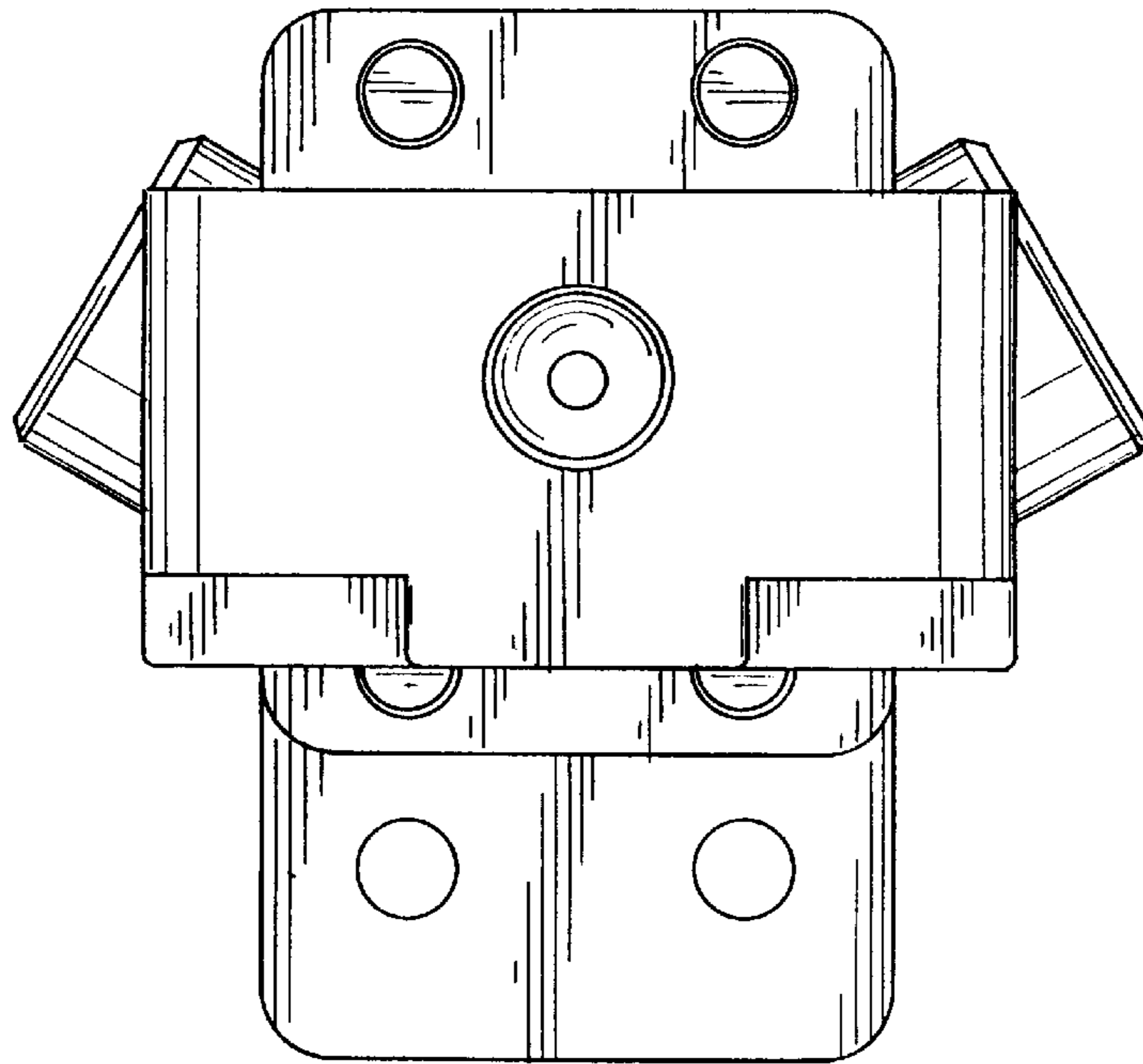


FIG. 5

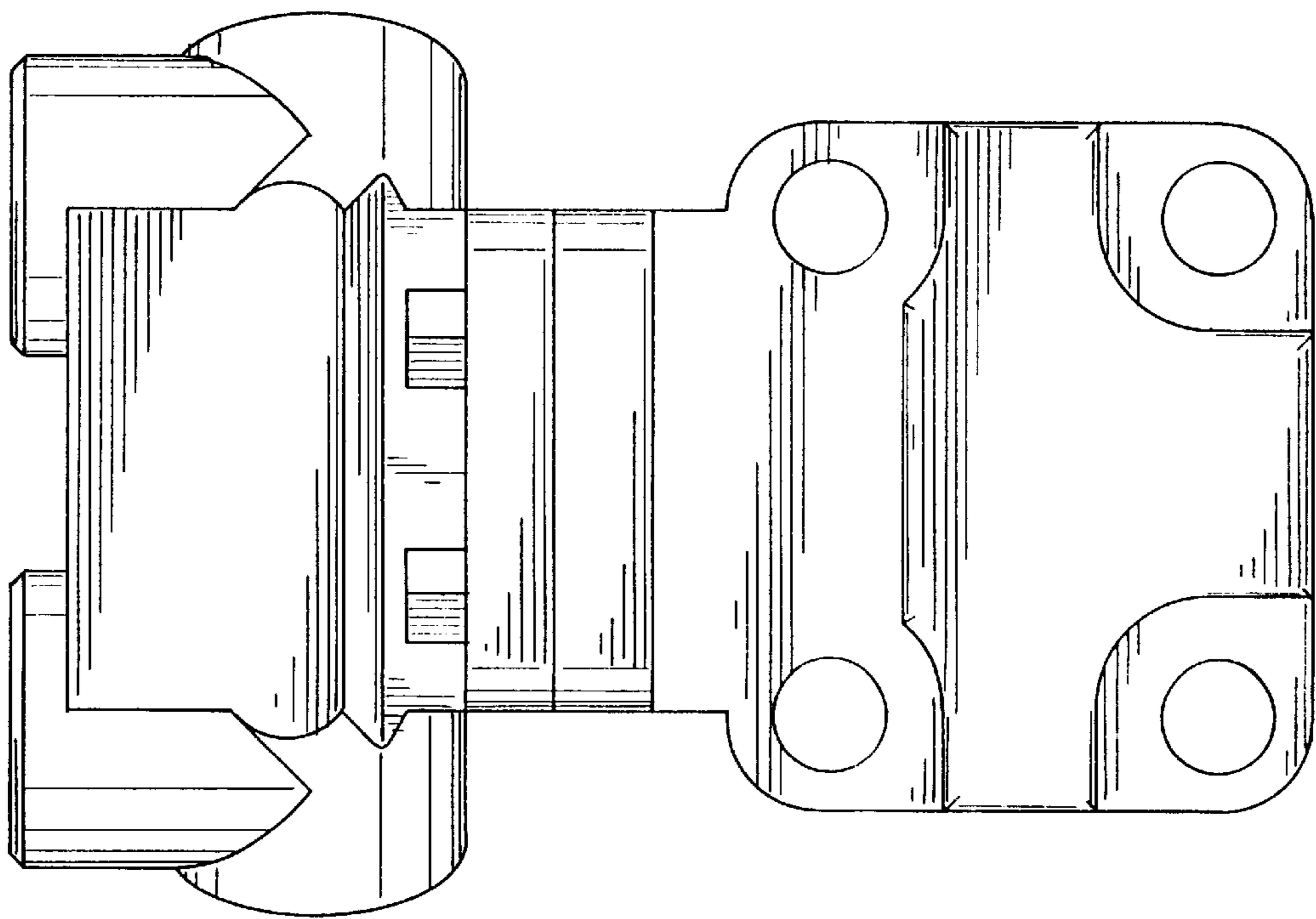


FIG. 6

FIG. 7

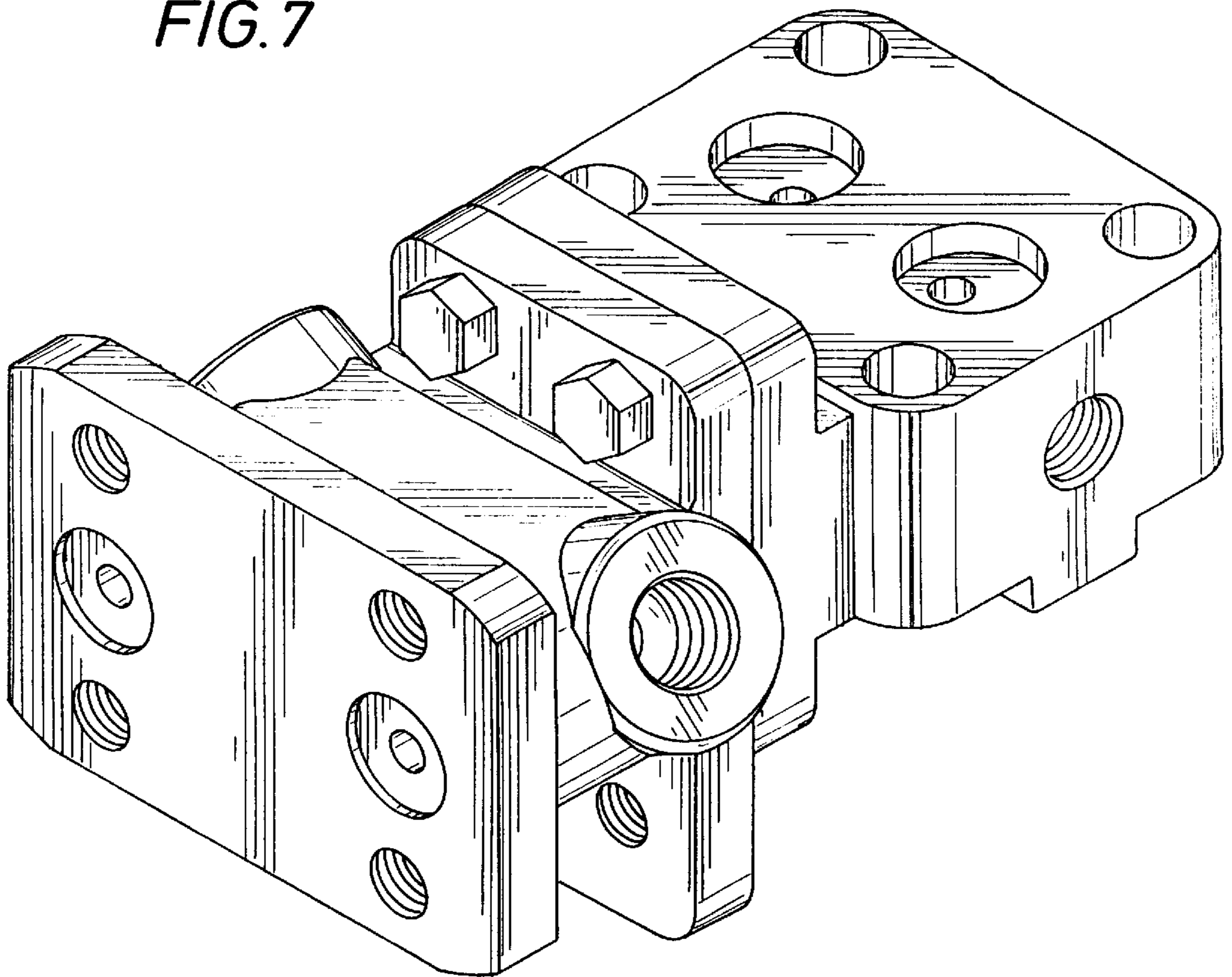
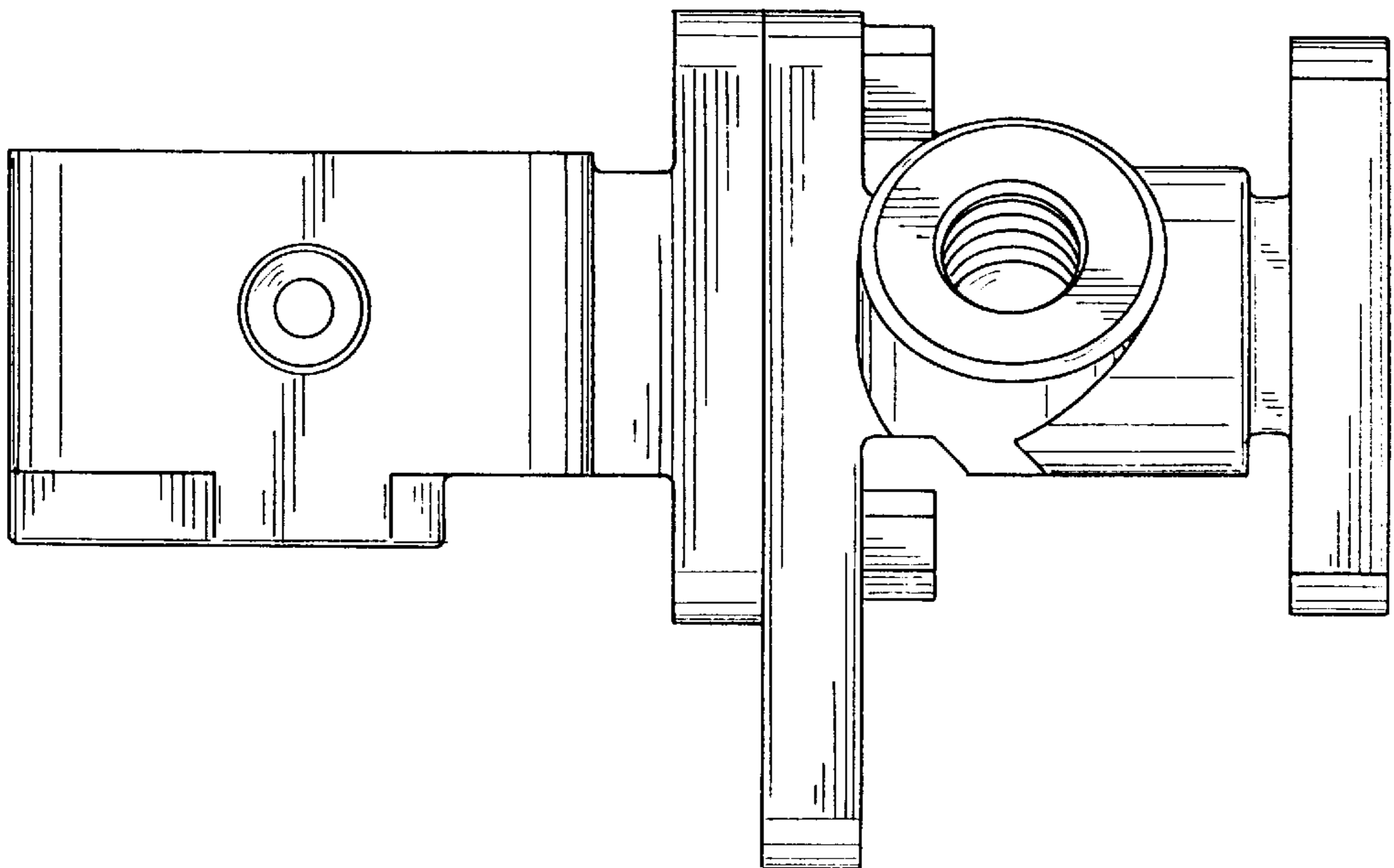


FIG. 8



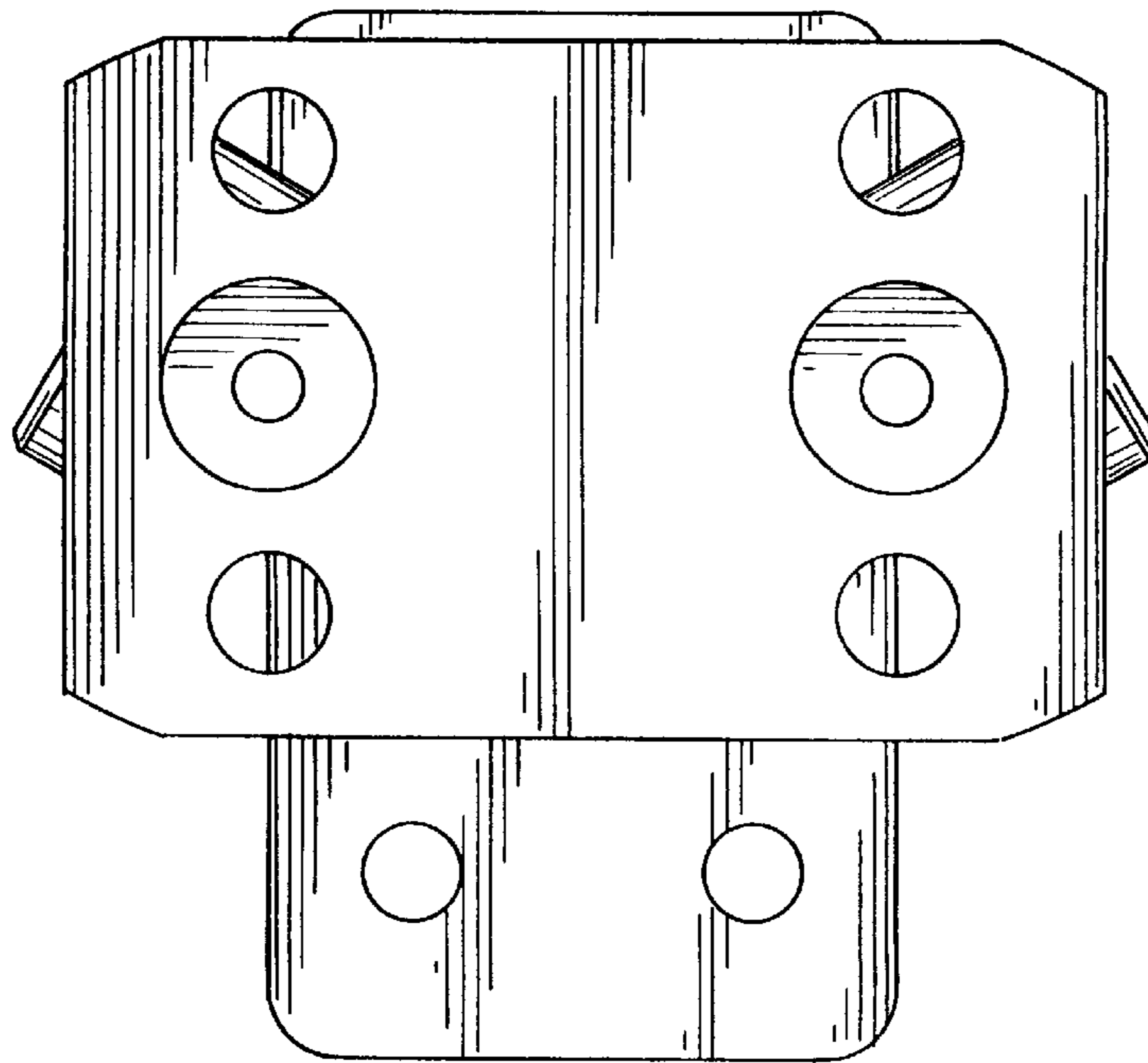


FIG. 9

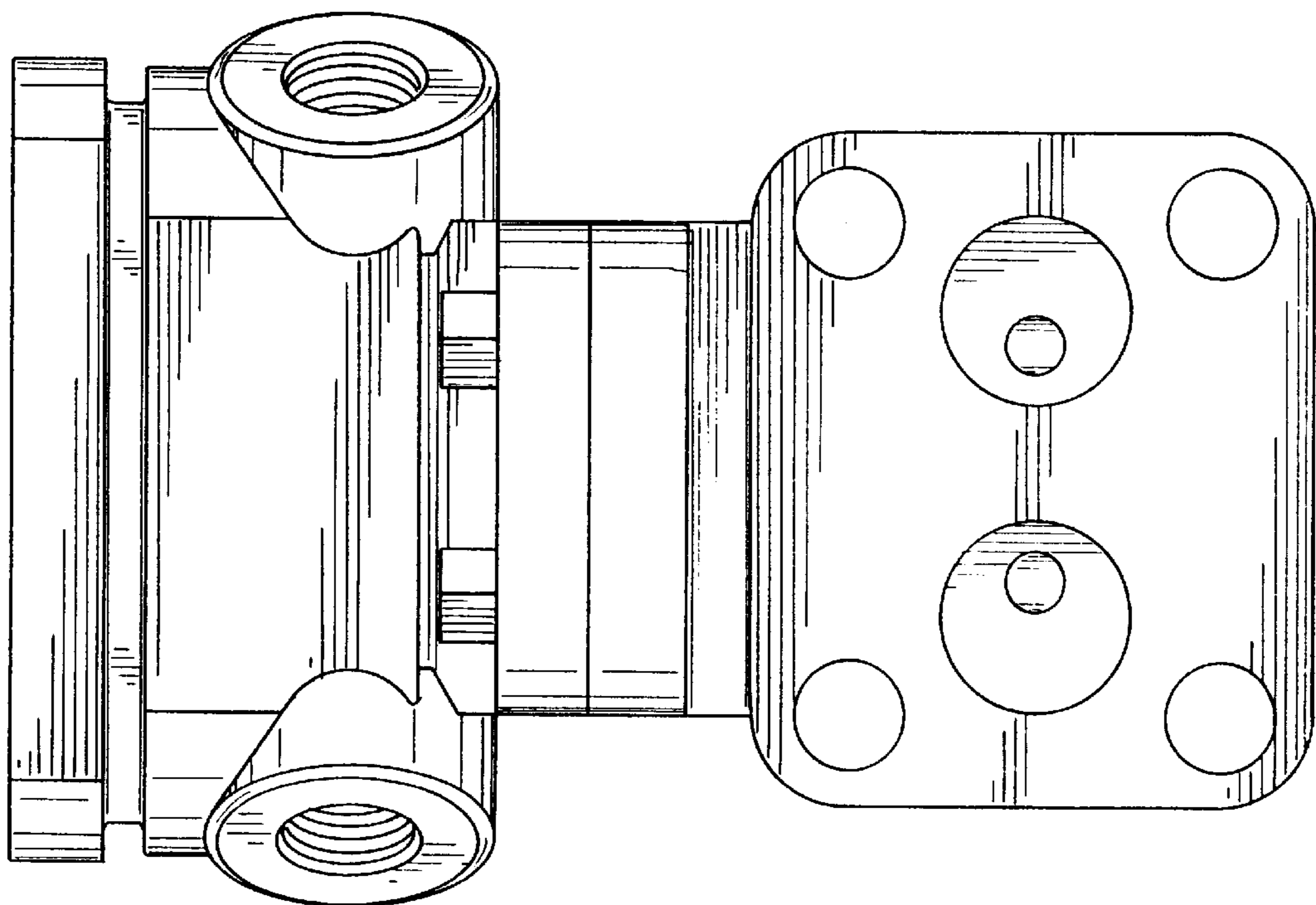


FIG. 10

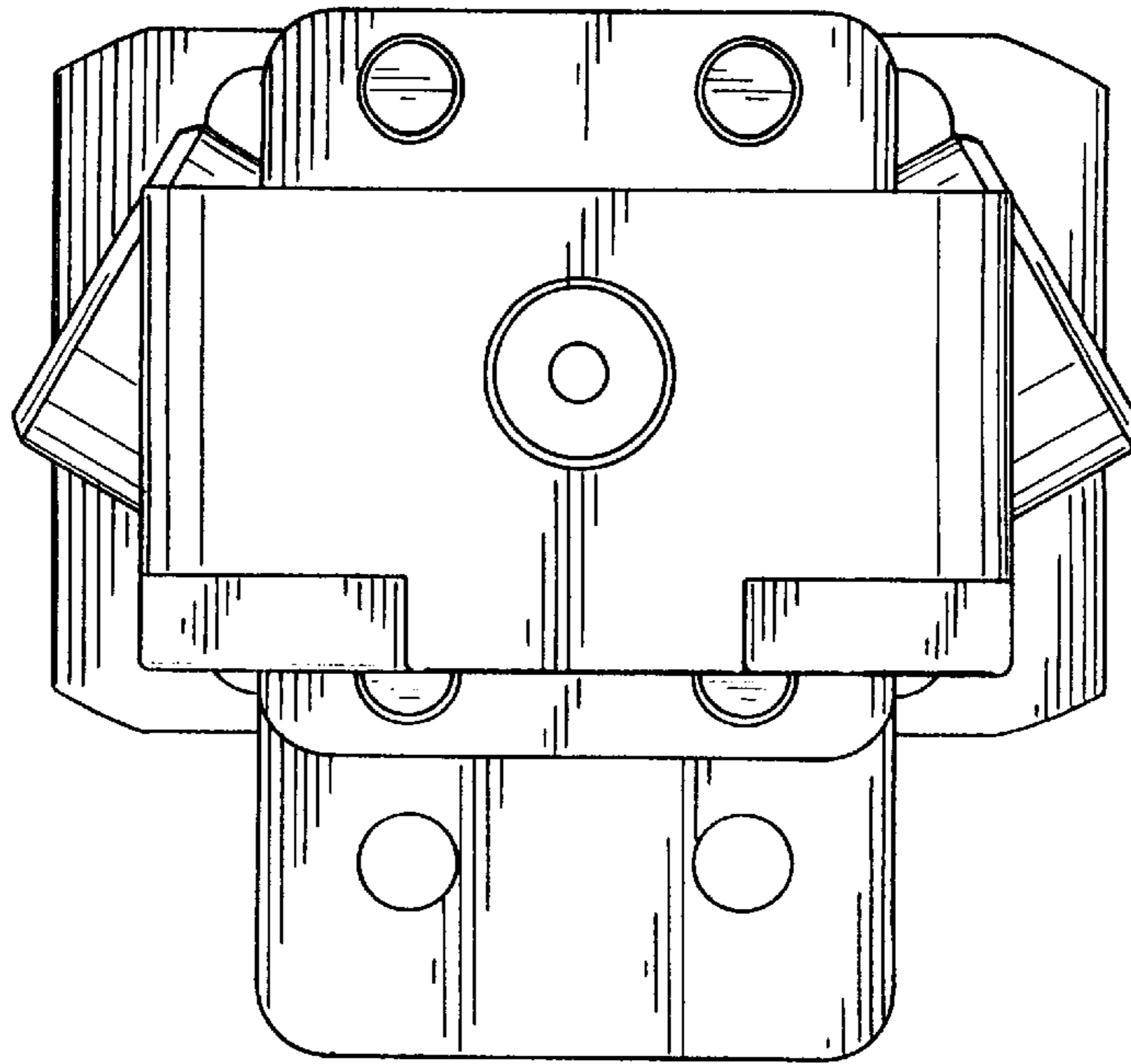


FIG. 11

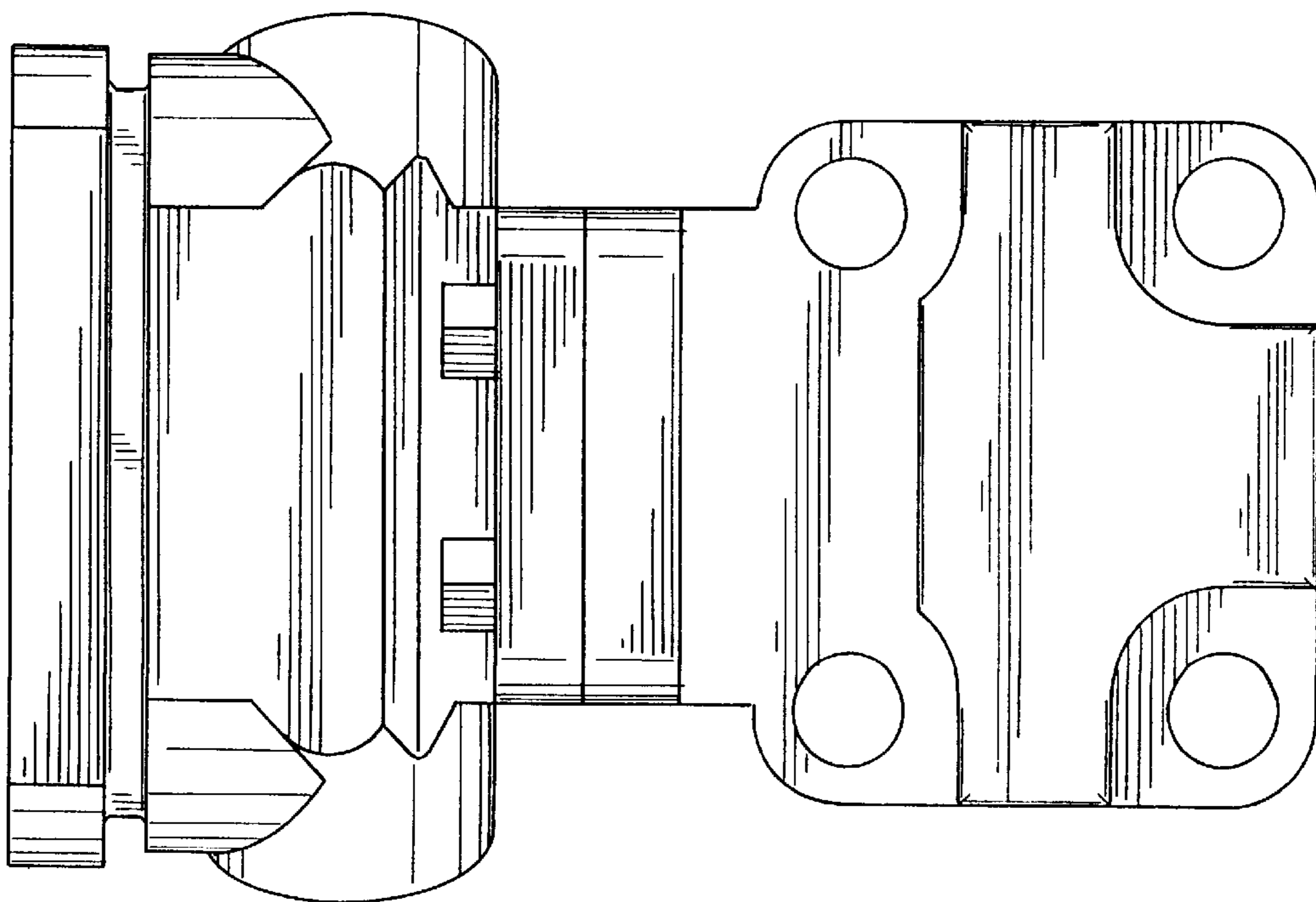


FIG. 12