



US00D415693S

**United States Patent** [19]  
**Kennedy**

[11] **Patent Number: Des. 415,693**

[45] **Date of Patent: \*\* Oct. 26, 1999**

[54] **BEZEL AND CASING FOR A WATCH**

D. 381,278 7/1997 Kennedy ..... D10/32  
D. 382,816 8/1997 Riley ..... D10/30  
D. 383,402 9/1997 Takeichi ..... D10/39

[75] Inventor: **Amelia Kennedy**, Woodbury, Conn.

[73] Assignee: **Timex Corporation**, Middlebury, Conn.

*Primary Examiner*—Nelson C. Holtje  
*Attorney, Agent, or Firm*—Paul R. Juhasz

[\*\*] Term: **14 Years**

[57] **CLAIM**

[21] Appl. No.: **29/074,044**

The ornamental design for a bezel and casing for a watch, as shown and described.

[22] Filed: **Jul. 23, 1997**

**DESCRIPTION**

[51] **LOC (6) Cl.** ..... **10-02**

[52] **U.S. Cl.** ..... **D10/30; D10/38**

[58] **Field of Search** ..... D10/1-40, 122-132;  
368/280-282, 276-277, 28-30, 285, 239-242,  
82-84, 41-44

FIG. 1 is a left side elevational view of a “bezel and casing for a watch”;  
FIG. 2 is a top plan view thereof;  
FIG. 3 is a right side elevational view thereof;  
FIG. 4 is a bottom plan view thereof;  
FIG. 5 is an end elevational view thereof; and,  
FIG. 6 is the other end elevational view thereof.

[56] **References Cited**

**U.S. PATENT DOCUMENTS**

D. 328,815 8/1992 Riley ..... D10/30

**1 Claim, 2 Drawing Sheets**

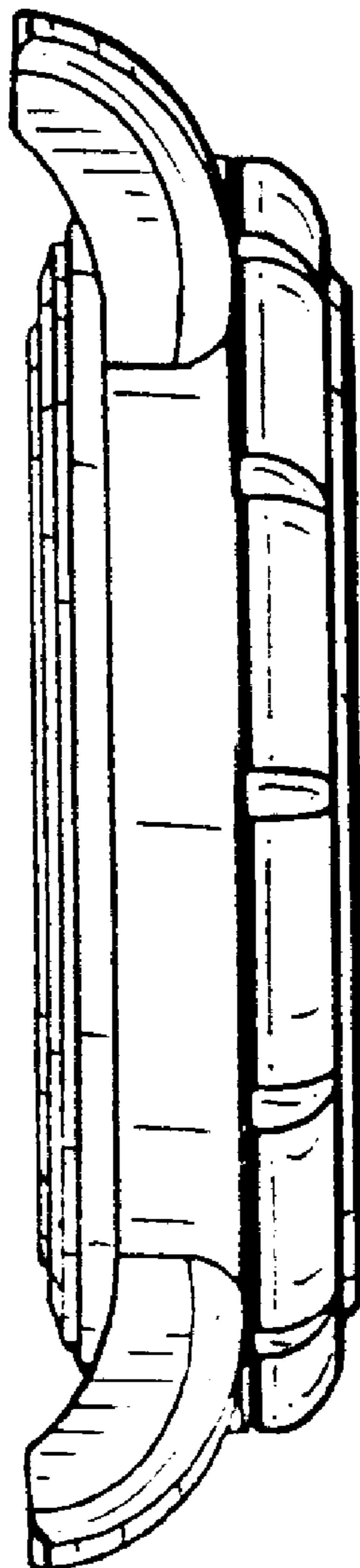


FIG. 1

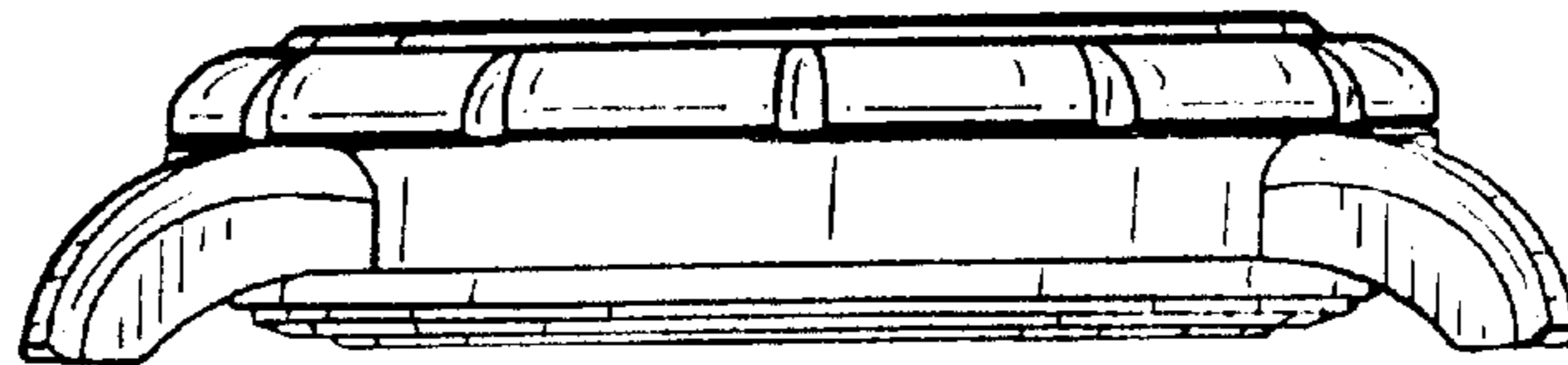


FIG. 2

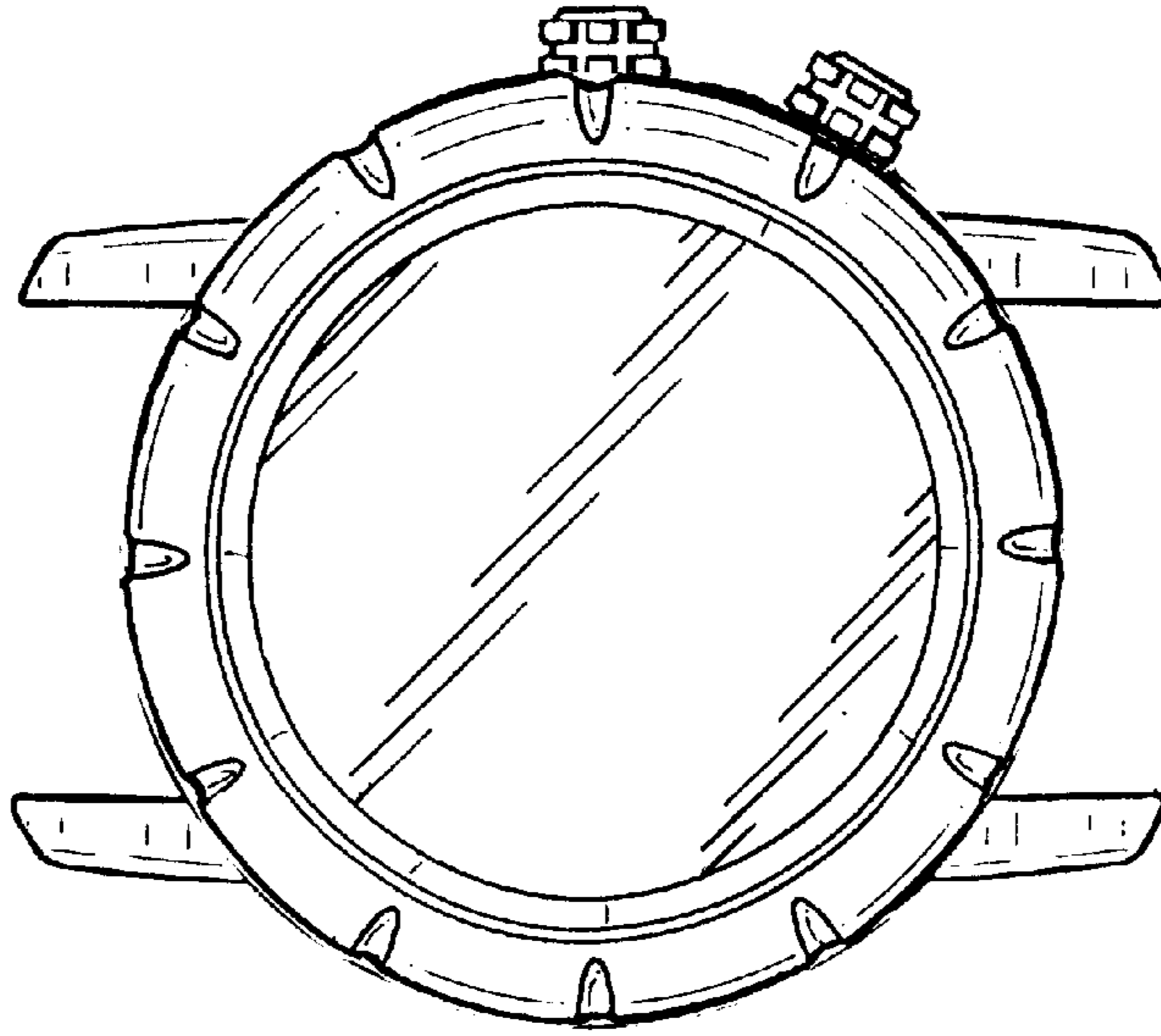
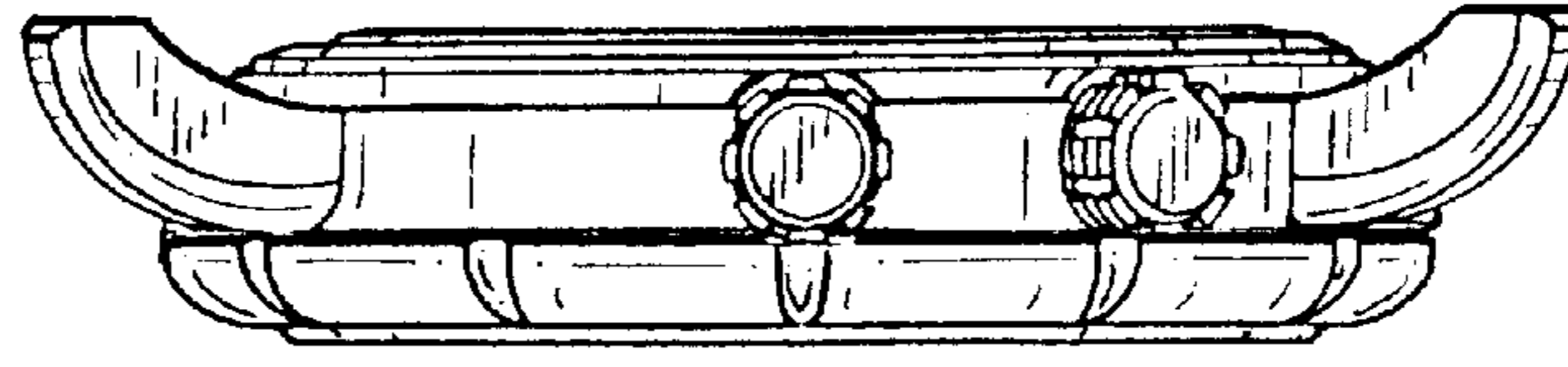
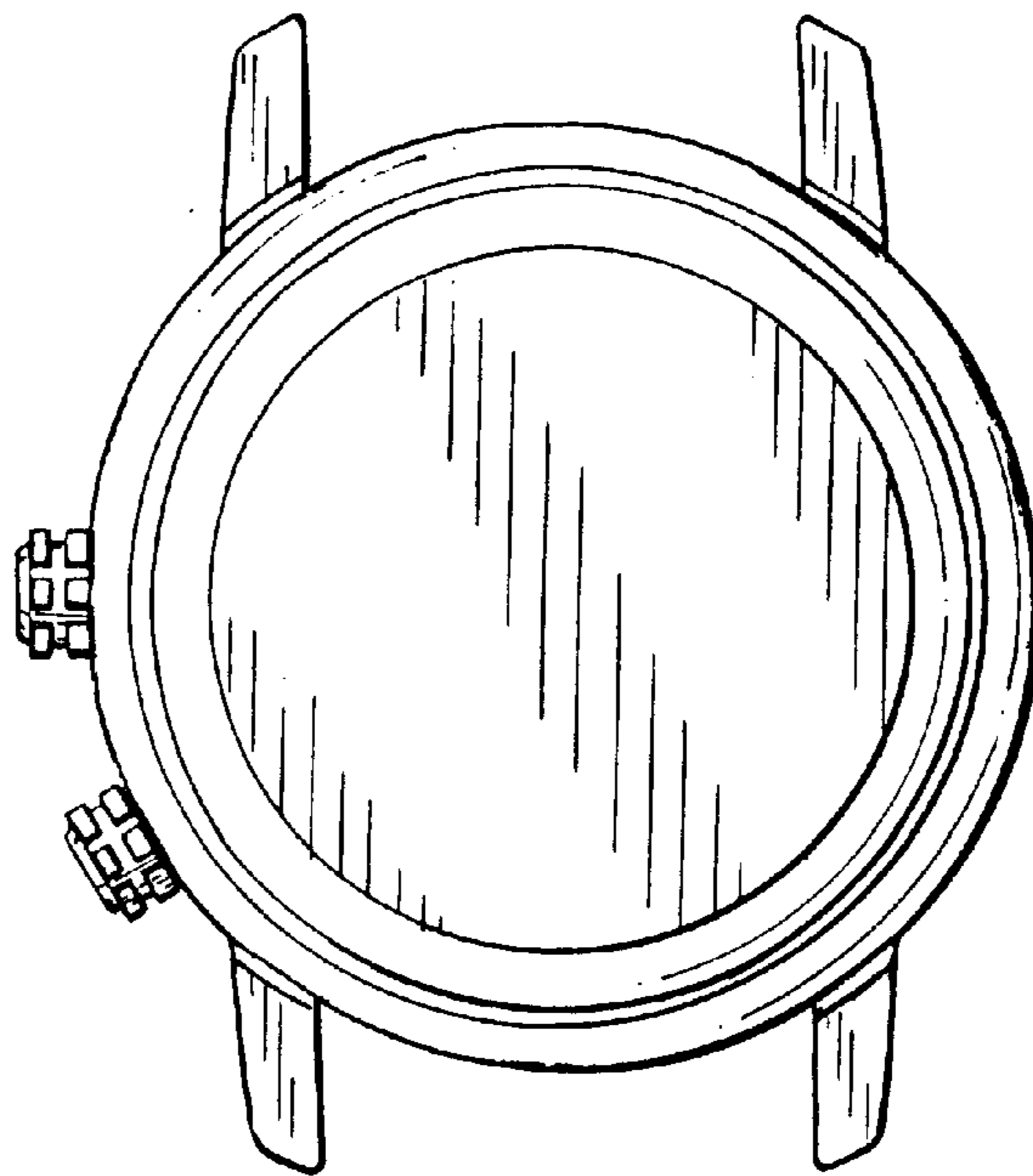


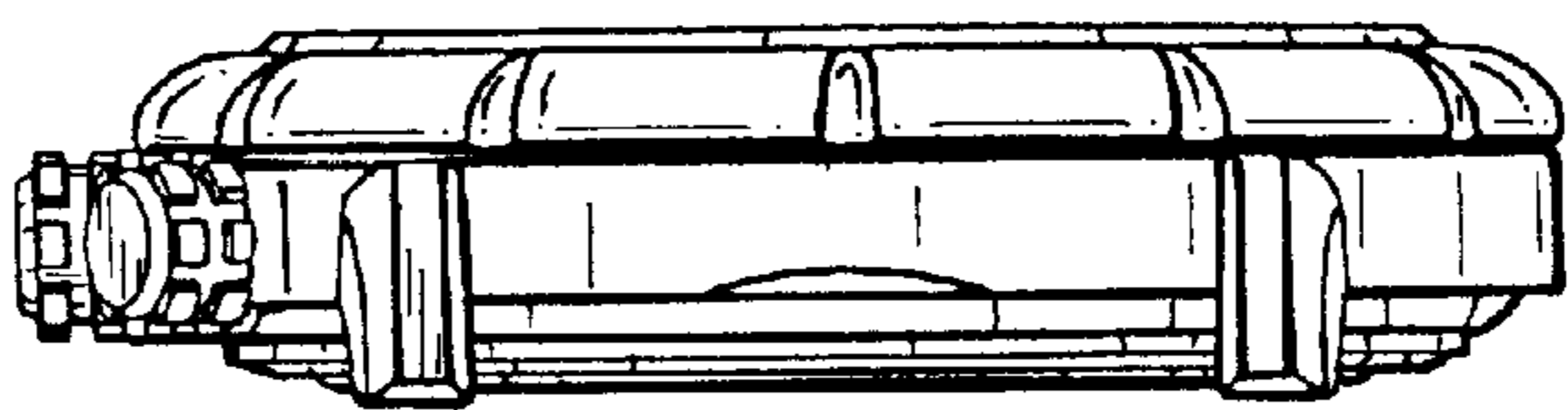
FIG. 3



*FIG. 4*



*FIG. 5*



*FIG. 6*

